



US00D840465S

(12) **United States Design Patent** (10) **Patent No.:** **US D840,465 S**
Chun (45) **Date of Patent:** **** Feb. 12, 2019**

(54) **FOLDING MINI TRIPOD BASE**

(71) Applicant: **James K Chun**, Vista, CA (US)

(72) Inventor: **James K Chun**, Vista, CA (US)

(**) Term: **15 Years**

(21) Appl. No.: **29/617,155**

(22) Filed: **Sep. 12, 2017**

(51) **LOC (11) Cl.** **16-05**

(52) **U.S. Cl.**
USPC **D16/244**

(58) **Field of Classification Search**

USPC D16/219, 237-250; D14/224, 229, 238,
D14/251, 447, 451, 457; D8/354, 355,
D8/363, 373, 382, 383, 394, 395, 396
CPC G03B 17/56; G03B 17/561-17/568; G02B
7/00-7/002; H04N 5/2253-5/2254; F16M
11/06-11/10; F16M 11/14; A45F 5/10

See application file for complete search history.

(56) **References Cited**

U.S. PATENT DOCUMENTS

| | | | | |
|-------------------|---------|------------|-------|--------------------------|
| D445,123 S * | 7/2001 | Shen | | D16/244 |
| D505,442 S * | 5/2005 | Murray | | D16/244 |
| D508,938 S * | 8/2005 | Murray | | D16/244 |
| D532,436 S * | 11/2006 | Kruse | | D16/244 |
| D620,491 S * | 7/2010 | Wu | | D14/411 |
| D706,333 S * | 6/2014 | Chun | | D16/244 |
| D718,365 S * | 11/2014 | Kim | | D16/244 |
| D794,699 S * | 8/2017 | Bin-Nun | | D16/244 |
| D800,206 S * | 10/2017 | Moon | | D16/244 |
| 2009/0026330 A1 * | 1/2009 | Law | | F16M 11/242 248/163.1 |
| 2012/0269503 A1 * | 10/2012 | Hale | | F16M 11/14 396/428 |
| 2015/0241762 A1 * | 8/2015 | Speggiorin | | F16M 11/32 248/542 |
| 2017/0192344 A1 * | 7/2017 | Chi | | G03B 17/561 |

OTHER PUBLICATIONS

Thread Aluminum Alloy Tripod Table Top . [online] Retrieved Apr. 26, 2018 from URL: <https://nl.aliexpress.com/item/FW1S-2016->

New-TT-50-1-4-20-Thread-Aluminum-Alloy-Table-Top-Lightweight-Tripod-For/32657017914.html.*

Fotodiox Pro Heavy Duty Tabletop Arched-Leg Tripod. [online] Retrieved Apr. 26, 2018 from URL: <https://www.amazon.com/Fotodiox-Heavy-Tabletop-Arched-Leg-Tripod/dp/B00M8DFQ4C>.*

* cited by examiner

Primary Examiner — Vy N Koenig

(74) *Attorney, Agent, or Firm* — Dean A Craine; Marisa C Whitaker

(57) **CLAIM**

The ornamental design for a folding mini tripod base, as shown and described.

DESCRIPTION

FIG. 1 is a front top perspective view of a folding mini tripod base shown in the expanded configuration.

FIG. 2 is a front bottom perspective view of the folding mini tripod base shown in FIG. 1.

FIG. 3 is a top plan view of the folding mini tripod base shown in FIG. 1.

FIG. 4 is a front elevational view of the folding mini tripod base shown in FIG. 1.

FIG. 5 is a bottom plan view of the folding mini tripod base shown in FIG. 1.

FIG. 6 is a front top perspective view of the folding mini tripod base shown in FIG. 1 in a folded configuration.

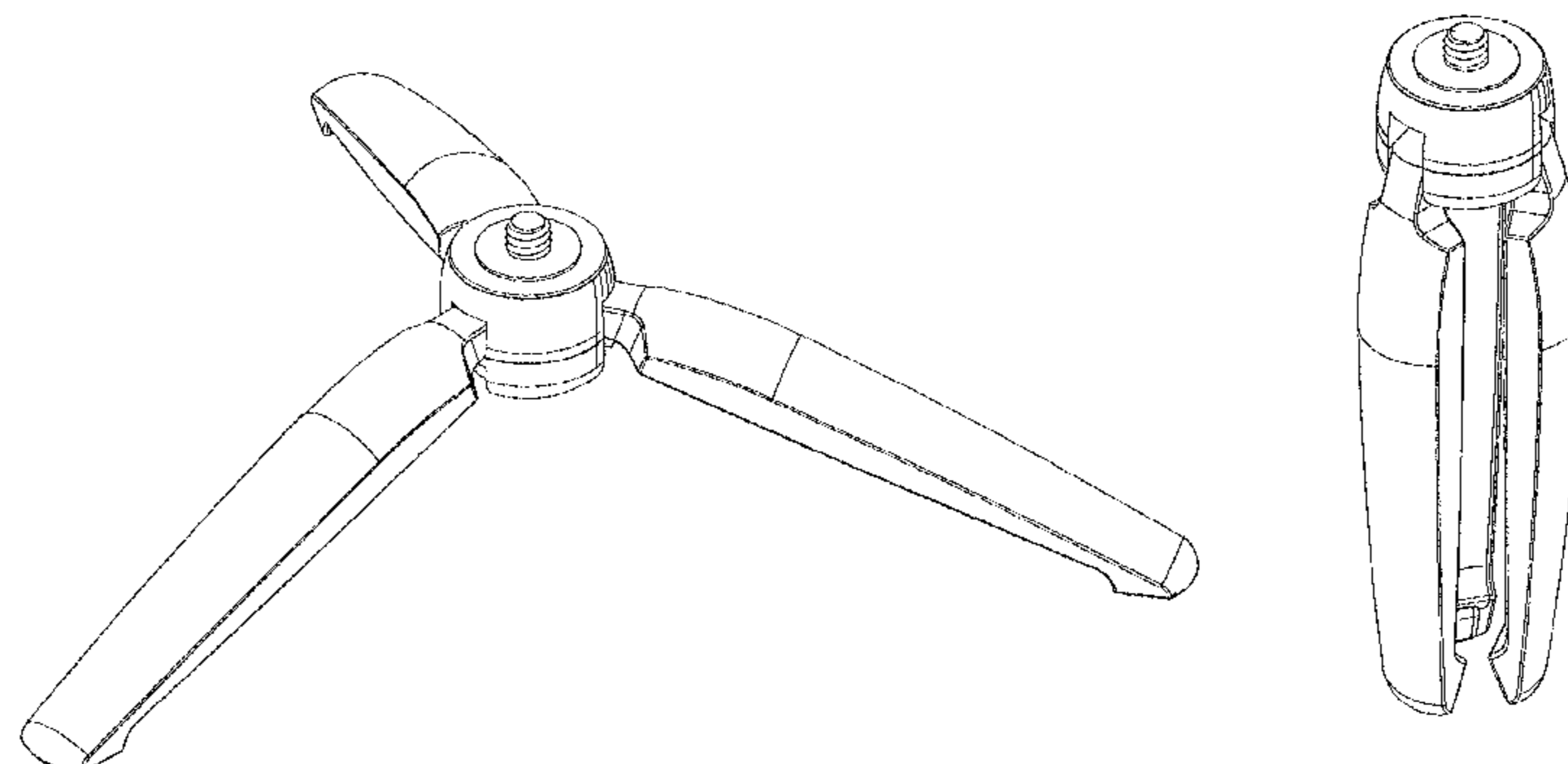
FIG. 7 is a front bottom perspective view of the folded mini tripod base shown in FIG. 6.

FIG. 8 is a front elevational view of the folding mini tripod base shown in FIG. 6.

FIG. 9 is a top plan view of the folded mini tripod base shown in FIG. 6; and,

FIG. 10 is a bottom plan view of the folded mini tripod base shown in FIG. 6.

1 Claim, 3 Drawing Sheets



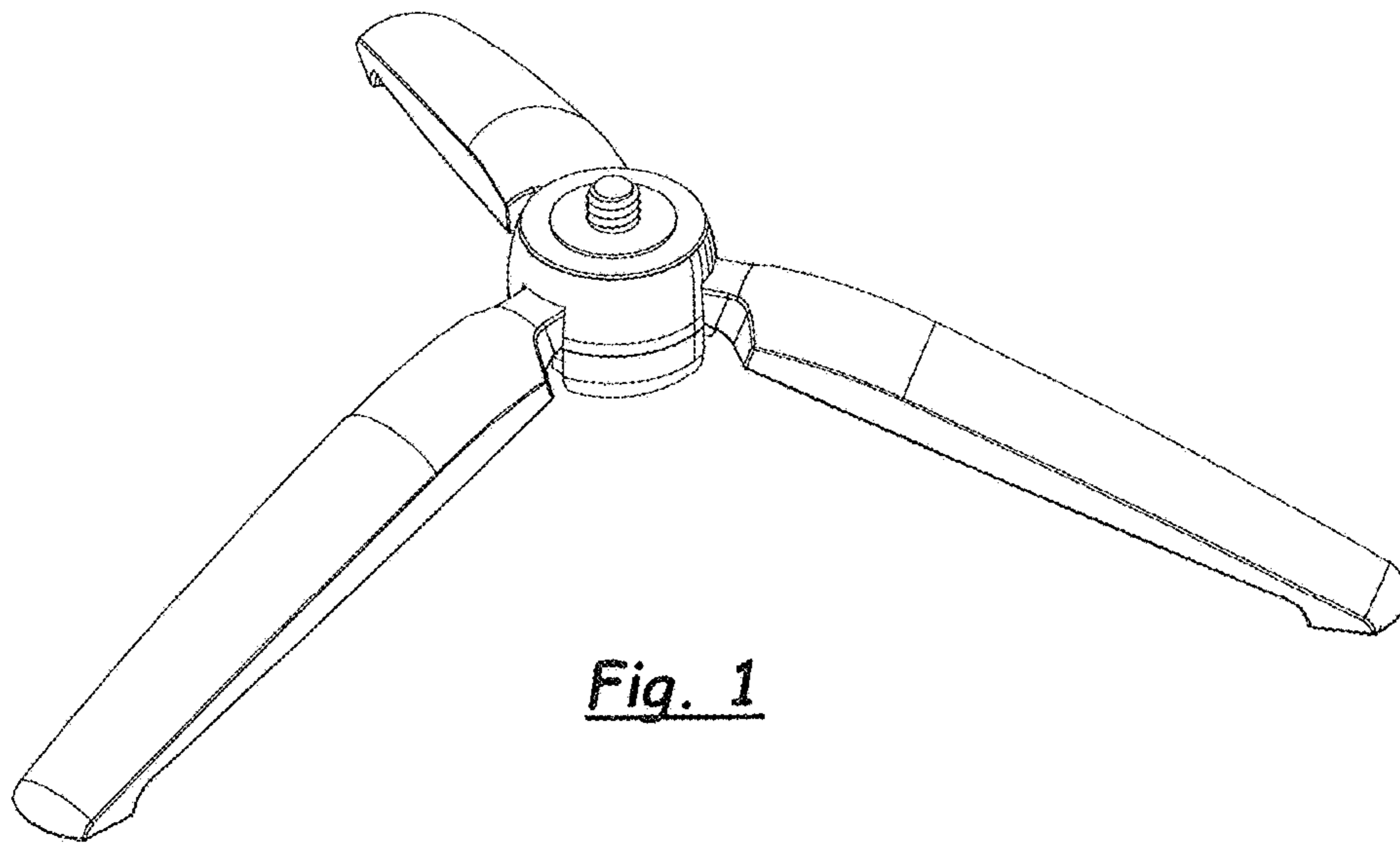


Fig. 1

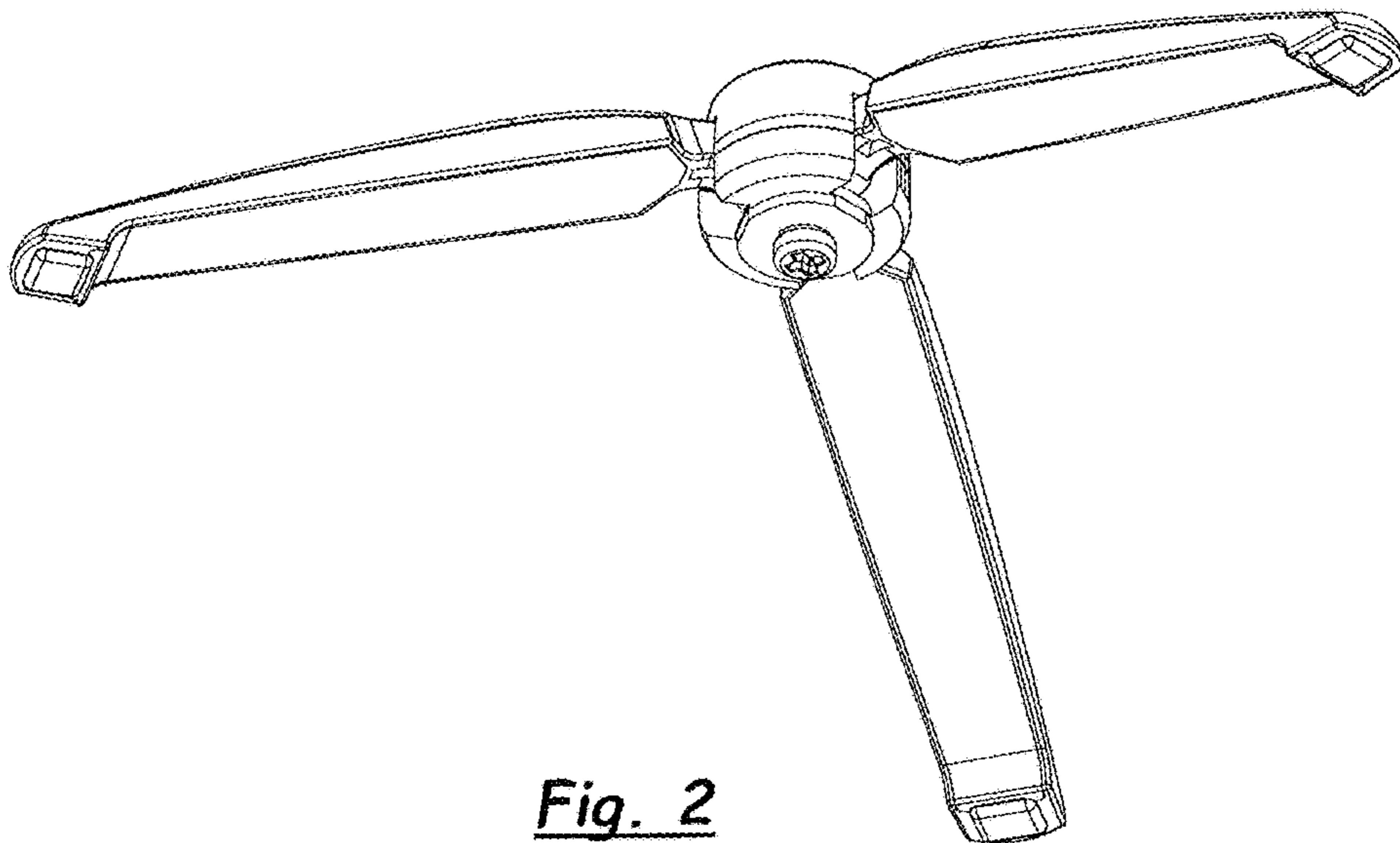


Fig. 2

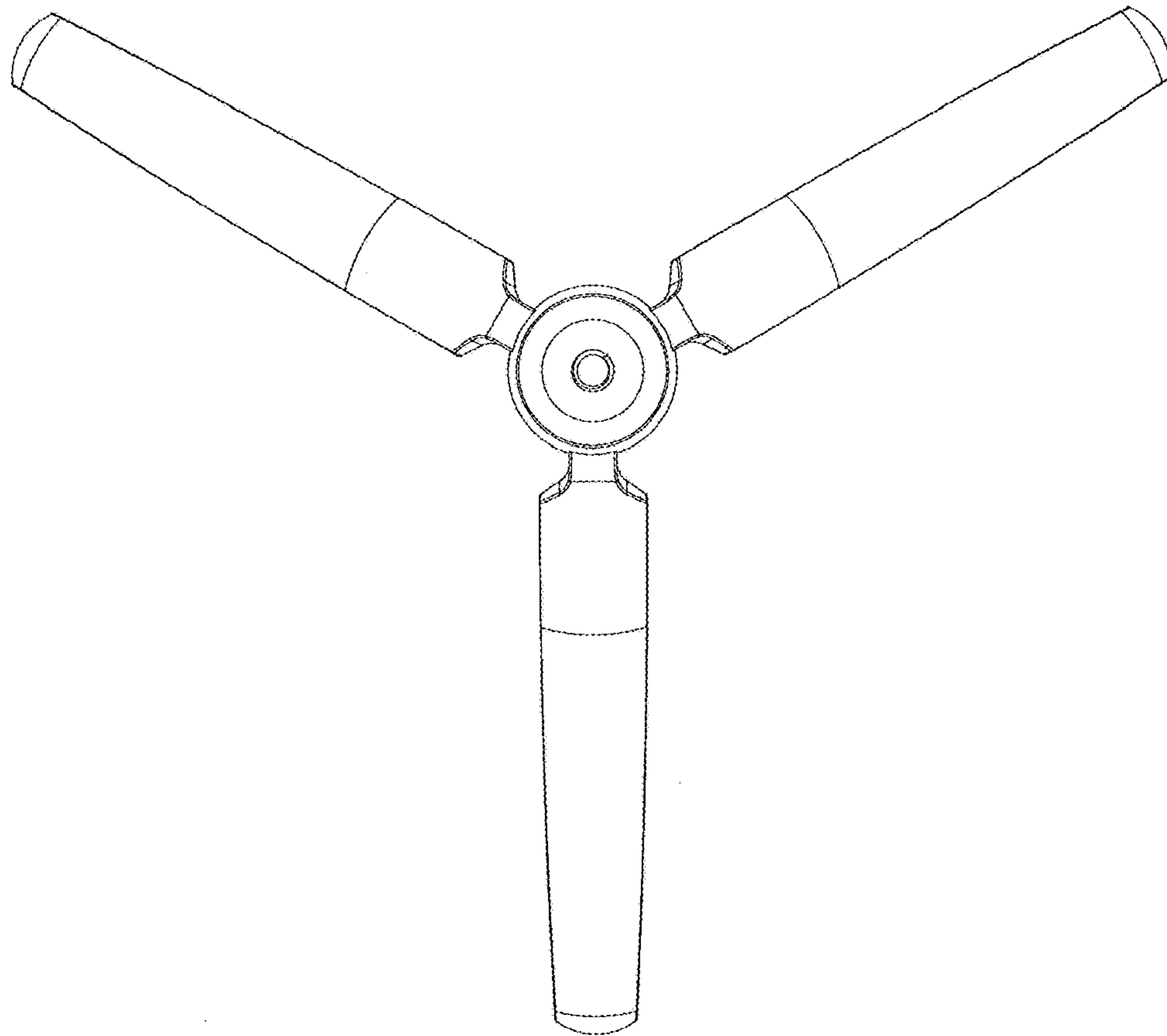


Fig. 3

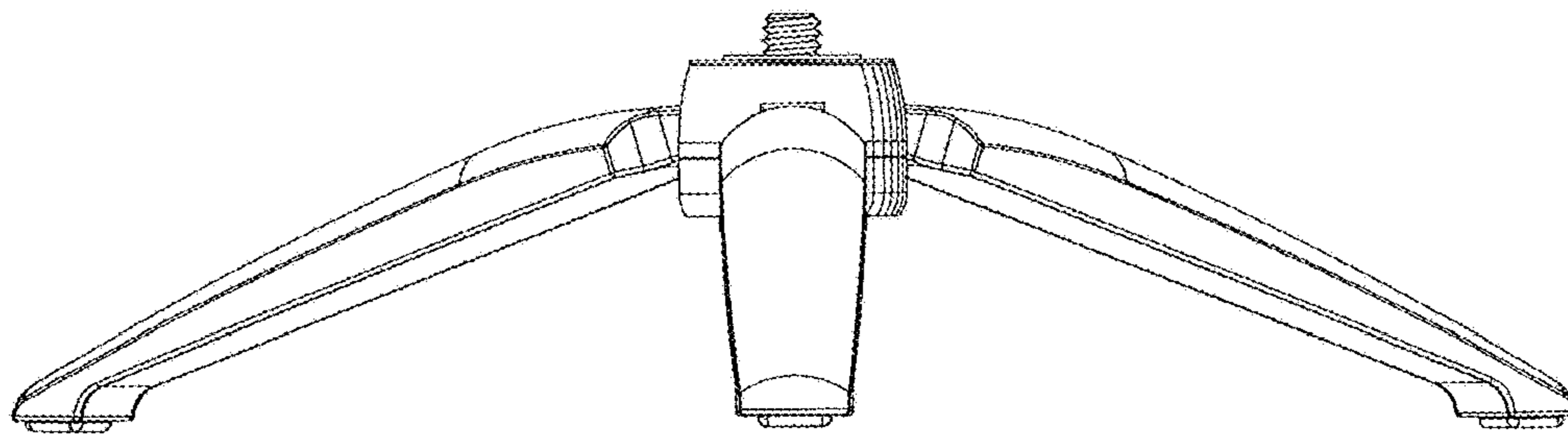


Fig. 4

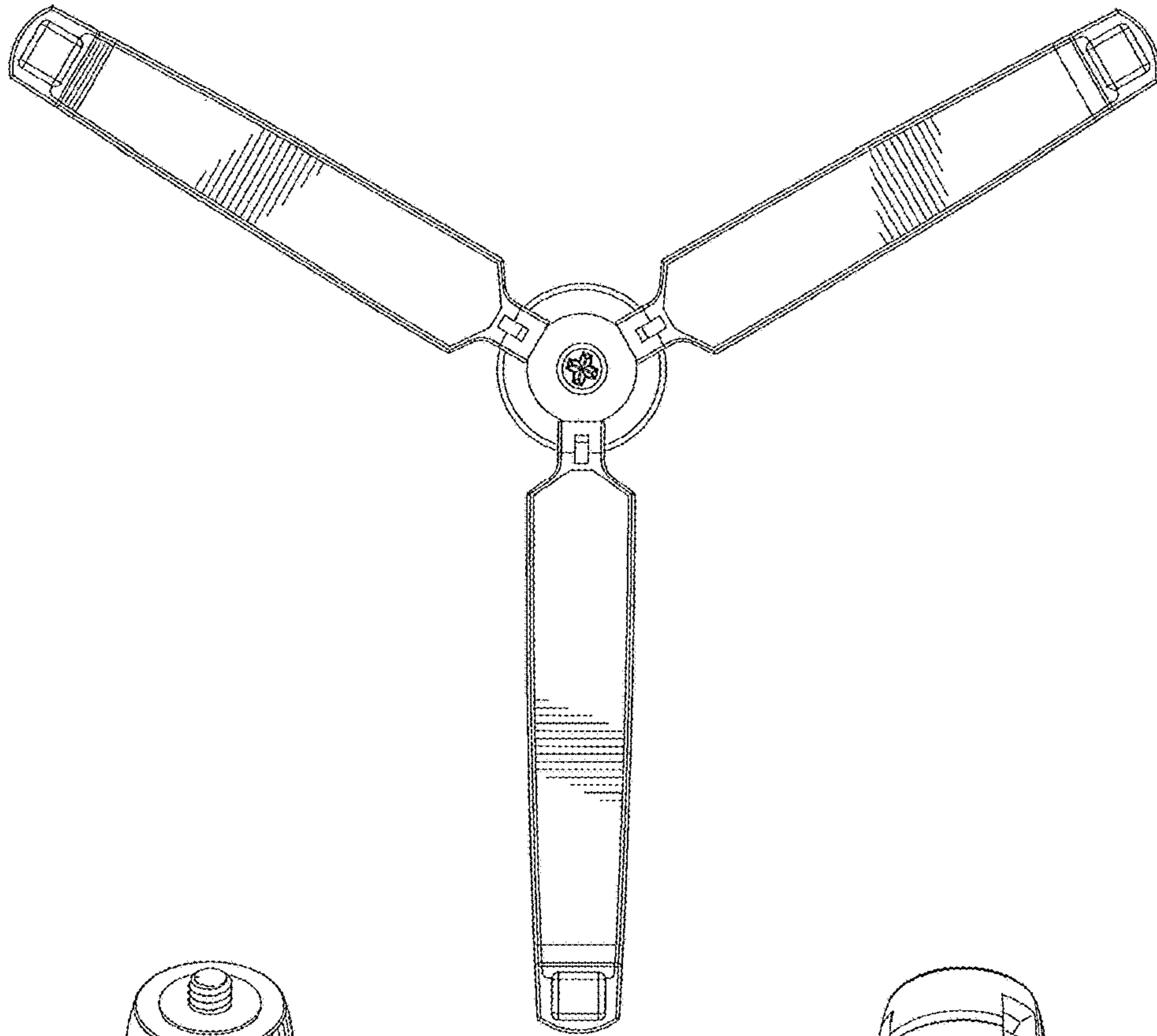


Fig. 5

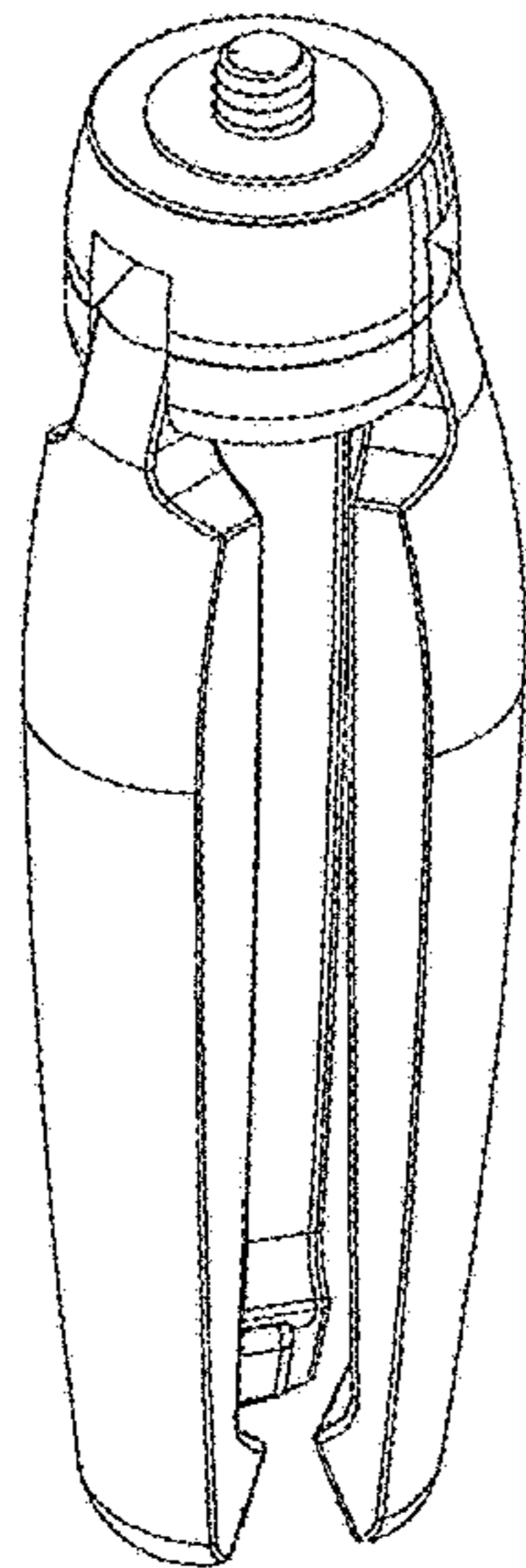


Fig. 6

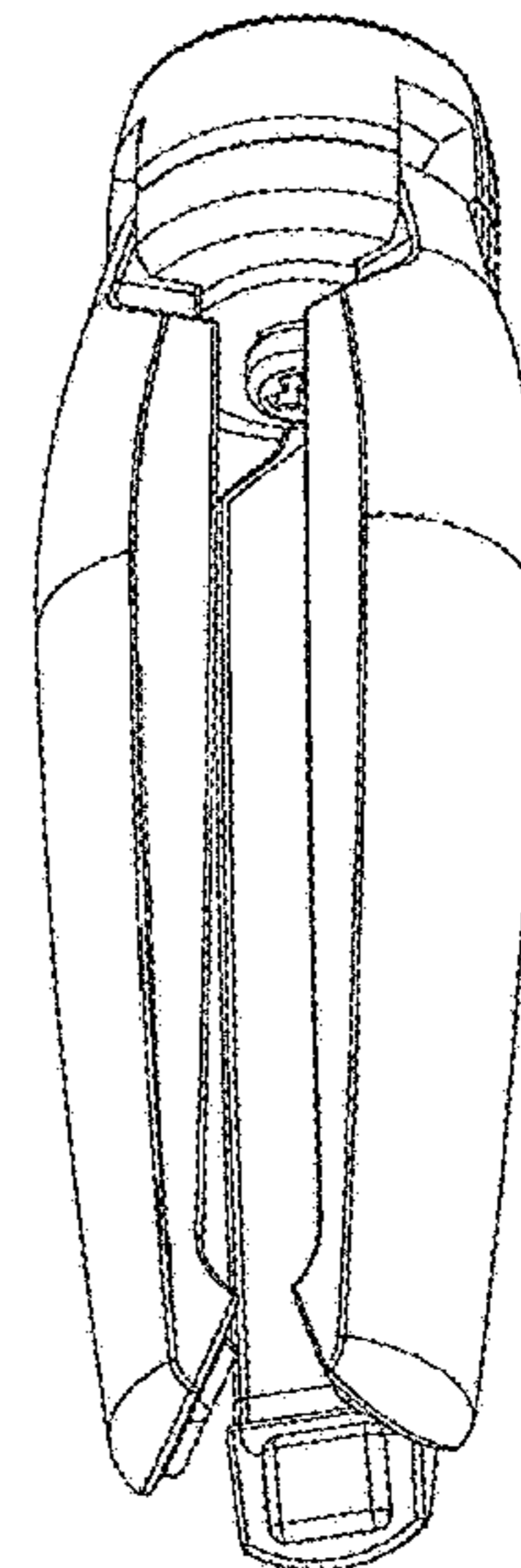


Fig. 7