



US00D840463S

(12) **United States Design Patent**
Nguyen et al.

(10) **Patent No.:** **US D840,463 S**
(45) **Date of Patent:** **** Feb. 12, 2019**

(54) **CAMERA**

(71) Applicant: **GoPro, Inc.**, San Mateo, CA (US)

(72) Inventors: **Huy Phuong Nguyen**, San Mateo, CA (US); **Richard Gioscia**, Santa Clara, CA (US); **Quinn Jerome Odette Fitzgerald**, San Francisco, CA (US); **William Duncan Webb, II**, San Francisco, CA (US)

(73) Assignee: **GoPro, Inc.**, San Mateo, CA (US)

(**) Term: **15 Years**

(21) Appl. No.: **29/626,783**

(22) Filed: **Nov. 20, 2017**

Related U.S. Application Data

(60) Continuation of application No. 29/609,791, filed on Jul. 5, 2017, now Pat. No. Des. 806,775, which is a division of application No. 29/576,880, filed on Sep. 7, 2016, now Pat. No. Des. 794,696.

(51) **LOC (11) Cl.** **16-01**

(52) **U.S. Cl.**
USPC **D16/218**

(58) **Field of Classification Search**
USPC D16/200, 202–206, 208–209, 212, 218, D16/219; 348/373–376; 396/448, 535, 396/539–541
CPC G03B 15/03; G03B 17/02; G03B 17/04; G03B 17/56; G03B 19/04; H04N 5/2251; H04N 5/2252; H04N 5/2253; H04N 5/2254; H04N 2101/00

See application file for complete search history.

(56) **References Cited**

U.S. PATENT DOCUMENTS

8,014,656 B2 9/2011 Woodman
D647,554 S 10/2011 Yim

8,544,643 B2 10/2013 Yim
D710,922 S 8/2014 Gioscia
D721,395 S 1/2015 Woodman
D725,169 S 3/2015 Gioscia
D732,593 S 6/2015 Woodman
D737,879 S 9/2015 Woodman
D739,451 S 9/2015 Gioscia
D742,952 S 11/2015 Nakajima

(Continued)

OTHER PUBLICATIONS

United States Office Action, U.S. Appl. No. 29/576,880, dated Mar. 9, 2017, 13 pages.

Primary Examiner — Philip S Hyder

Assistant Examiner — Ramzi S Almatrahi

(74) *Attorney, Agent, or Firm* — Young Basile Hanlon & MacFarlane, P.C.

(57) **CLAIM**

The ornamental design for a camera, as shown and described.

DESCRIPTION

FIG. 1 is a front, top, and left side perspective view of a camera showing our new design;

FIG. 2 is a rear, bottom, and right side perspective view thereof;

FIG. 3 is a front, top, and right side perspective view thereof;

FIG. 4 is a rear, bottom, and left side perspective view thereof;

FIG. 5 is a front elevational view thereof;

FIG. 6 is a rear elevational view thereof;

FIG. 7 is a left side elevational view thereof;

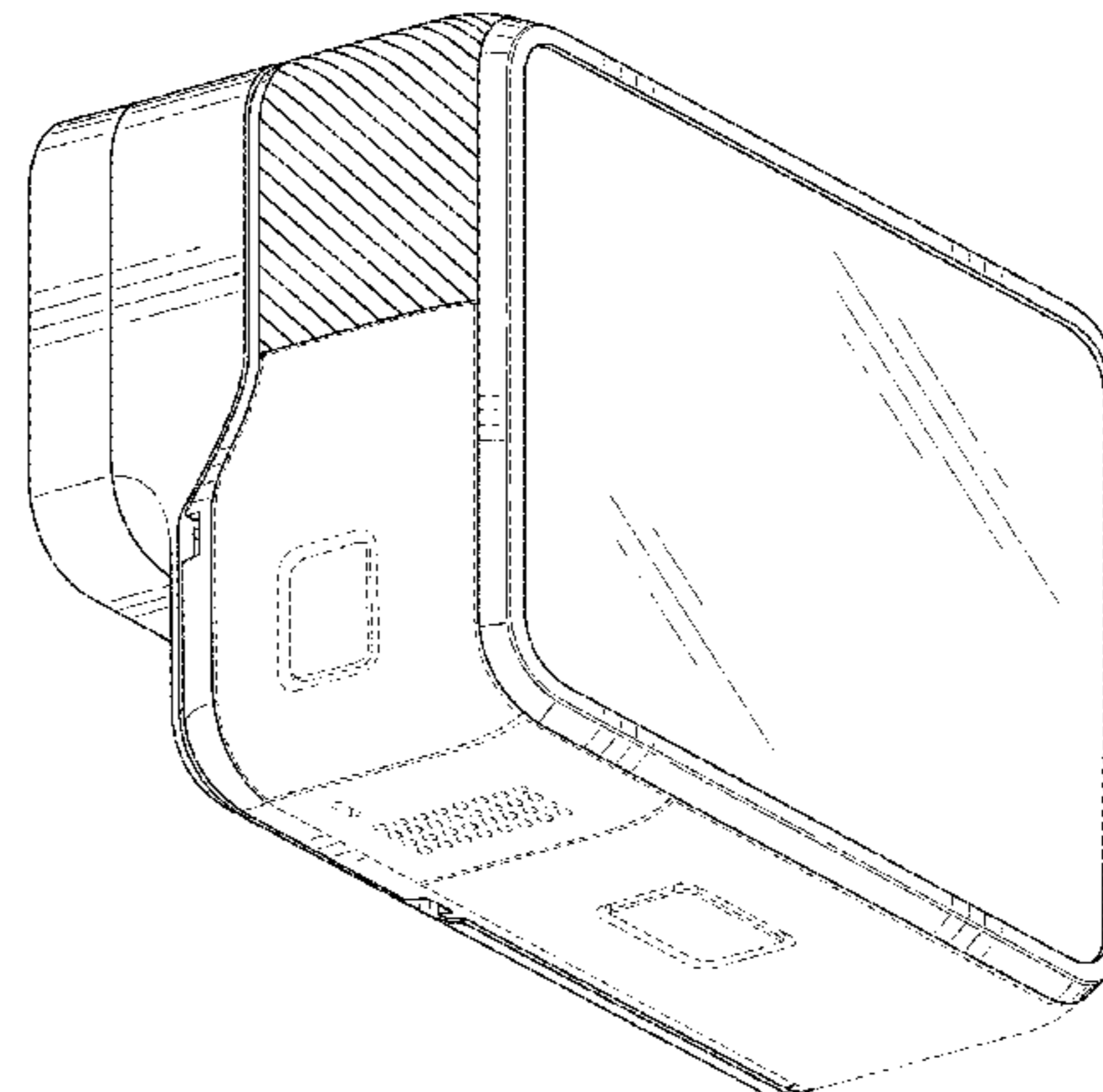
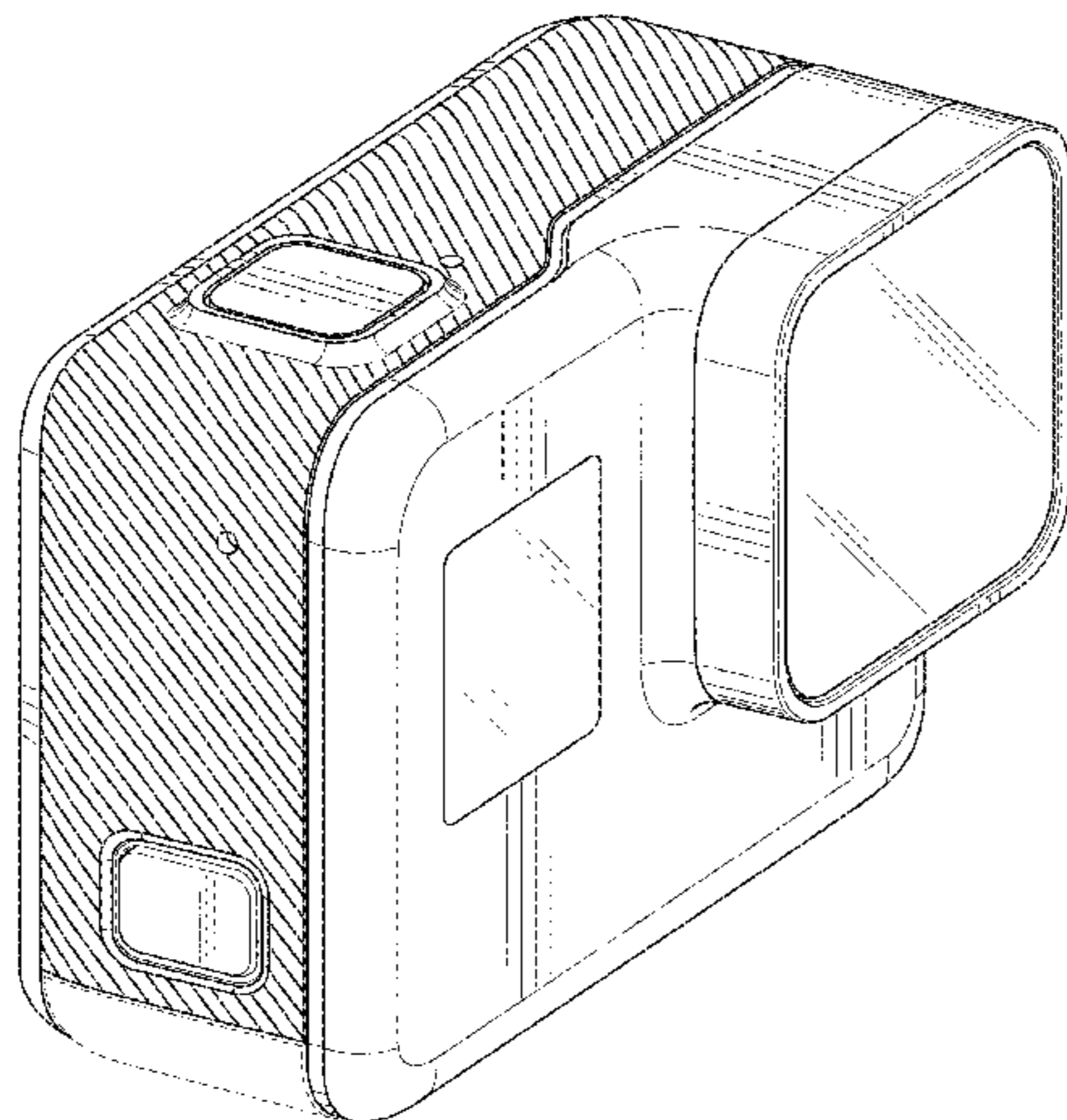
FIG. 8 is a right side elevational view thereof;

FIG. 9 is a top plan view thereof; and,

FIG. 10 is a bottom plan view thereof.

The broken lines in the drawings showing portions of the camera form no part of the claimed design.

1 Claim, 10 Drawing Sheets



(56)

References Cited

U.S. PATENT DOCUMENTS

D750,146 S	2/2016	Costa	
D750,680 S	3/2016	Chen	
D750,686 S	3/2016	Chen	
D751,131 S	3/2016	Woodman	
D753,749 S	4/2016	Zhu	
D755,270 S	5/2016	Vehlewald	
D755,874 S	5/2016	Yang	
D758,467 S	6/2016	Zhang	
D760,309 S	6/2016	Parfitt	
D766,351 S *	9/2016	Li	D16/202
D769,346 S	10/2016	Nguyen	
D772,966 S	11/2016	Song	
D773,546 S	12/2016	Nguyen	
D775,254 S	12/2016	Parfitt	
D776,741 S	1/2017	Parfitt	
D780,244 S *	2/2017	Wang	D16/200
D785,692 S	5/2017	Wang	
D789,435 S	6/2017	Nguyen	
D790,001 S	6/2017	Parfitt	
D790,002 S	6/2017	Nguyen	
D791,211 S	7/2017	Fujita	
D793,463 S	8/2017	Houin	
D800,202 S *	10/2017	Hu	D16/218
D800,819 S *	10/2017	Parfitt	D16/219
D805,117 S *	12/2017	Nguyen	D16/218
D805,569 S *	12/2017	Daugela	D16/200
D816,753 S *	5/2018	Zhang	D16/202
D818,029 S *	5/2018	Fujita	D16/218
D820,335 S *	6/2018	Fave	D16/202
D821,480 S *	6/2018	Gioscia	D16/219
D821,481 S *	6/2018	Gioscia	D16/219
2016/0209731 A1 *	7/2016	Song	G03B 17/06

* cited by examiner

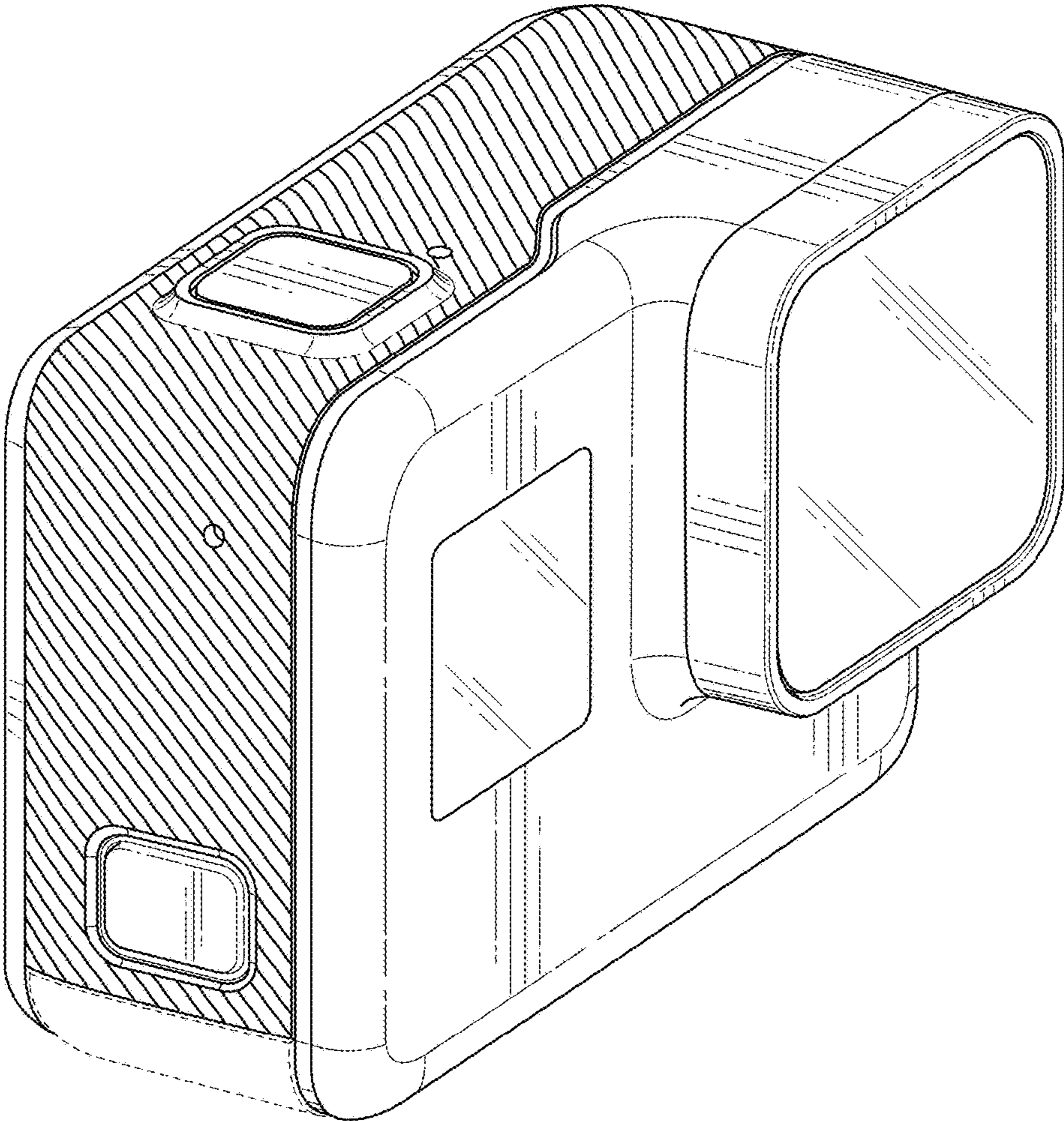


FIG. 1

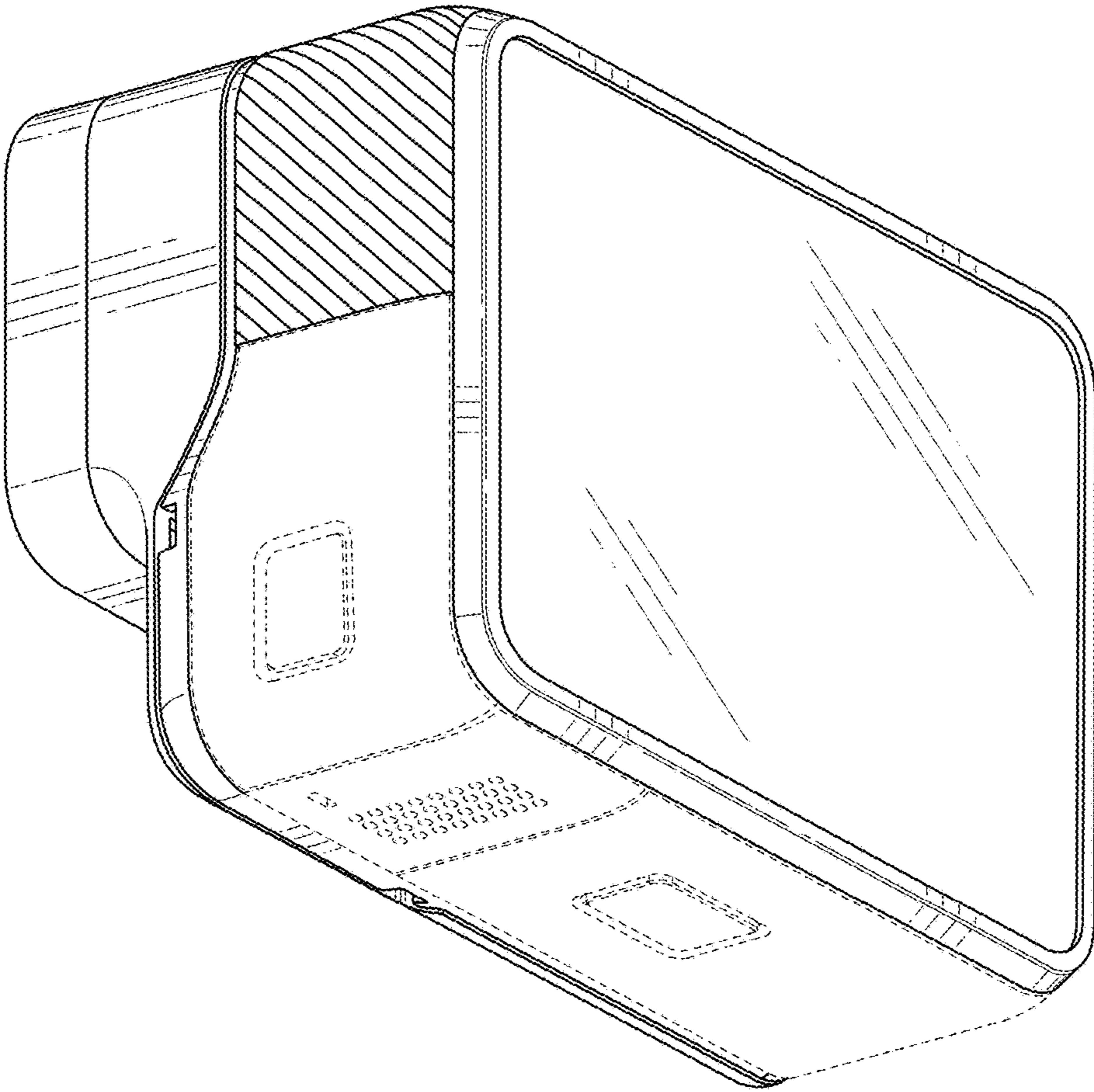


FIG. 2

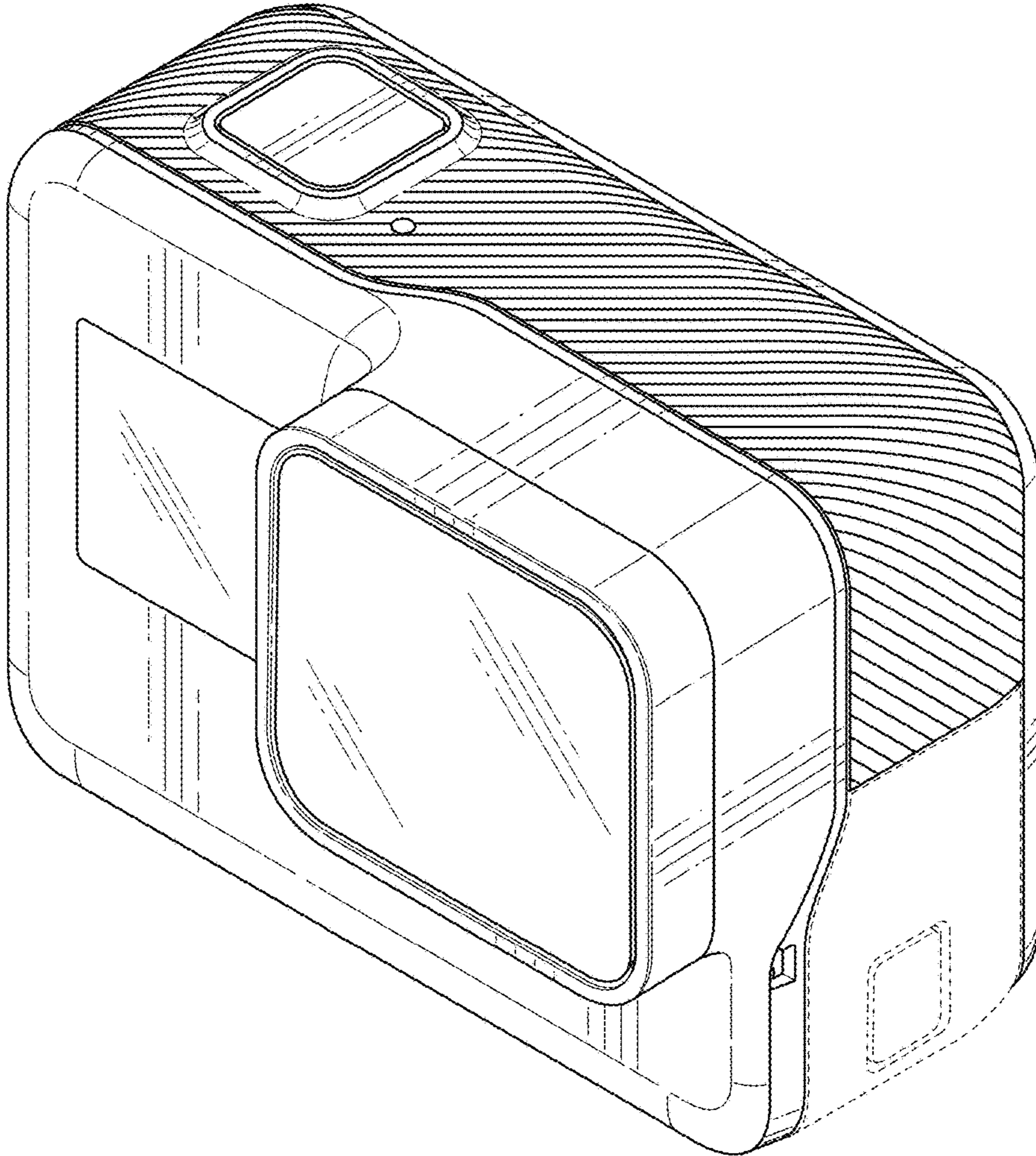


FIG. 3

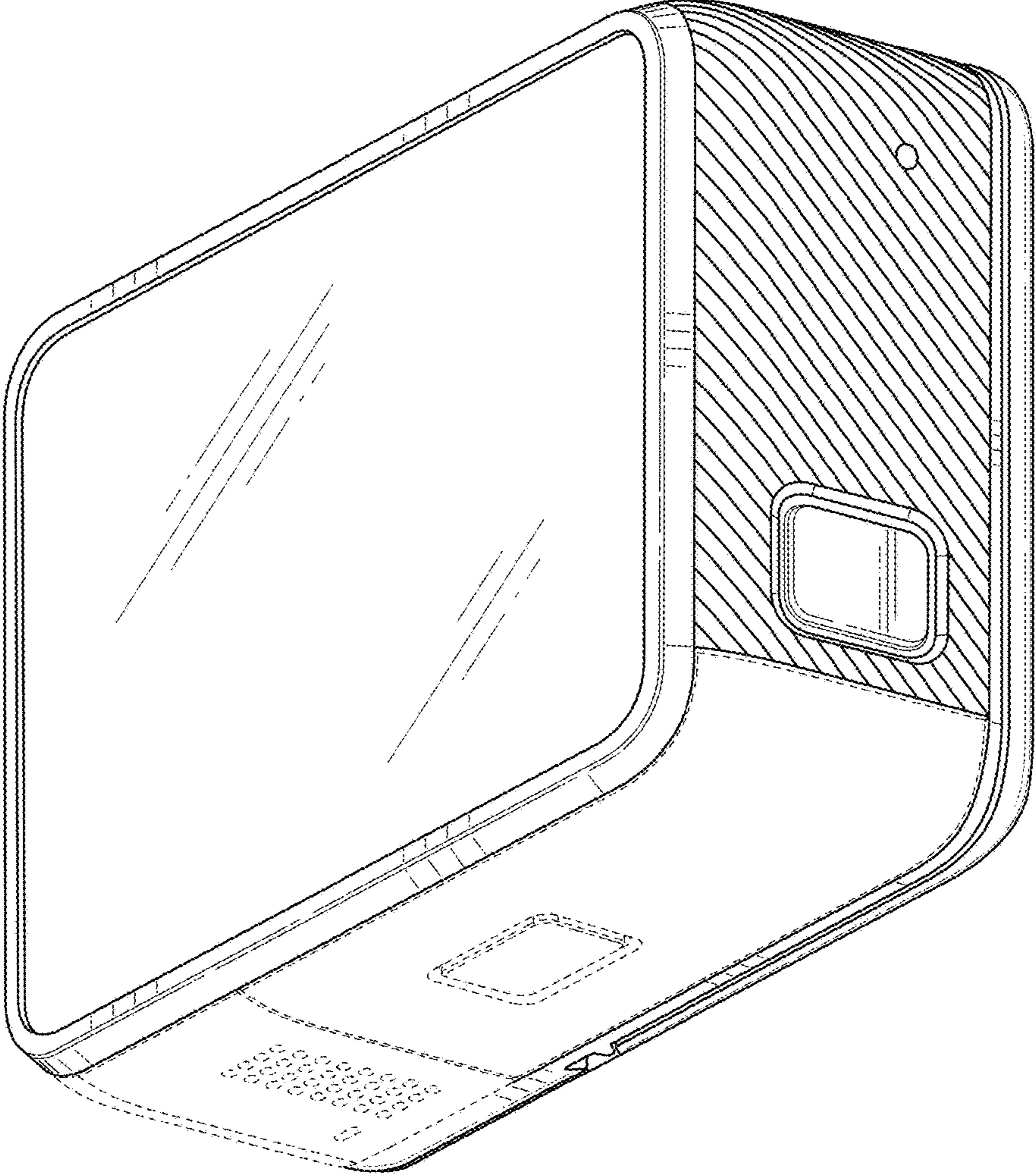


FIG. 4

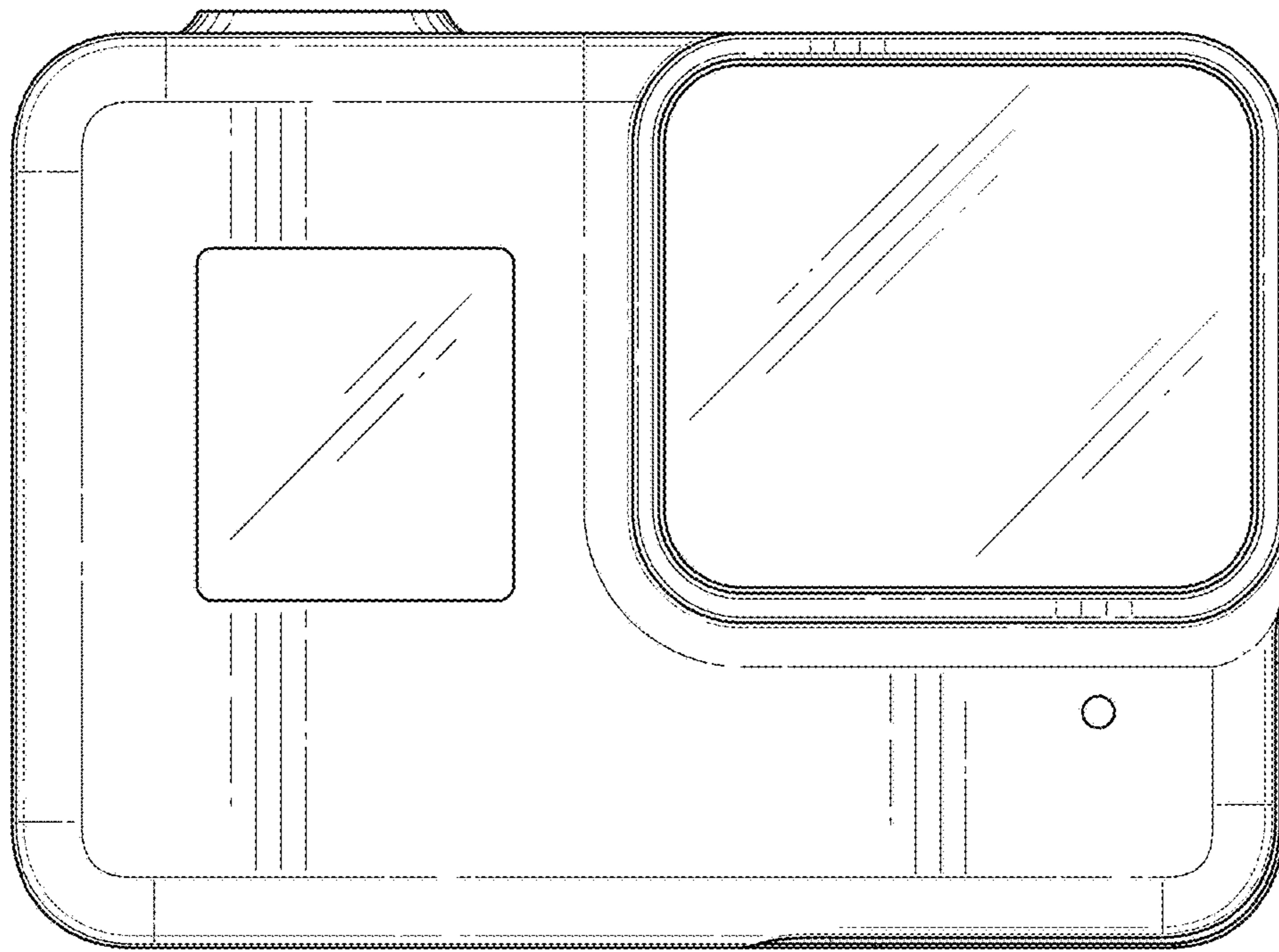


FIG. 5

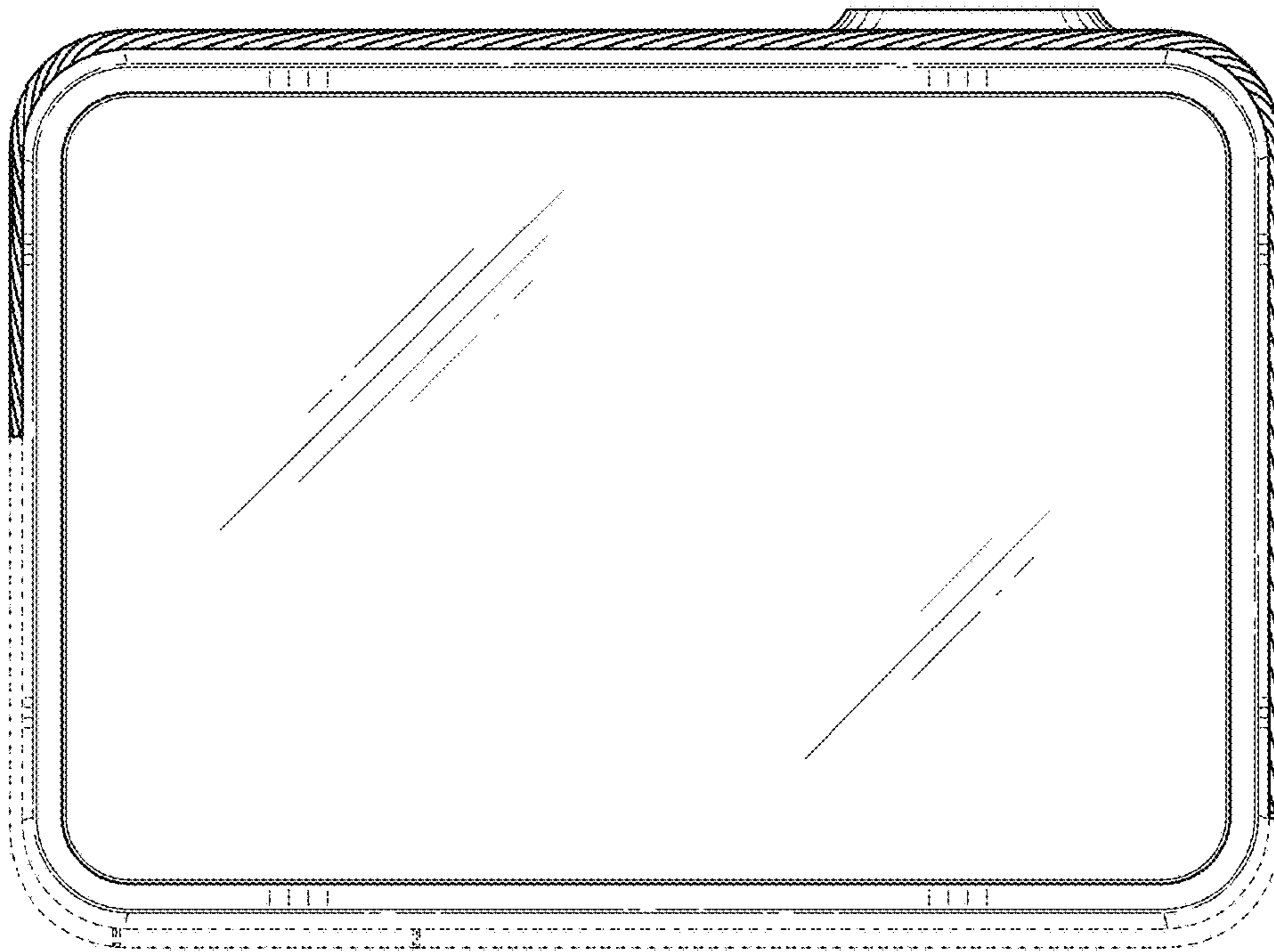


FIG. 6

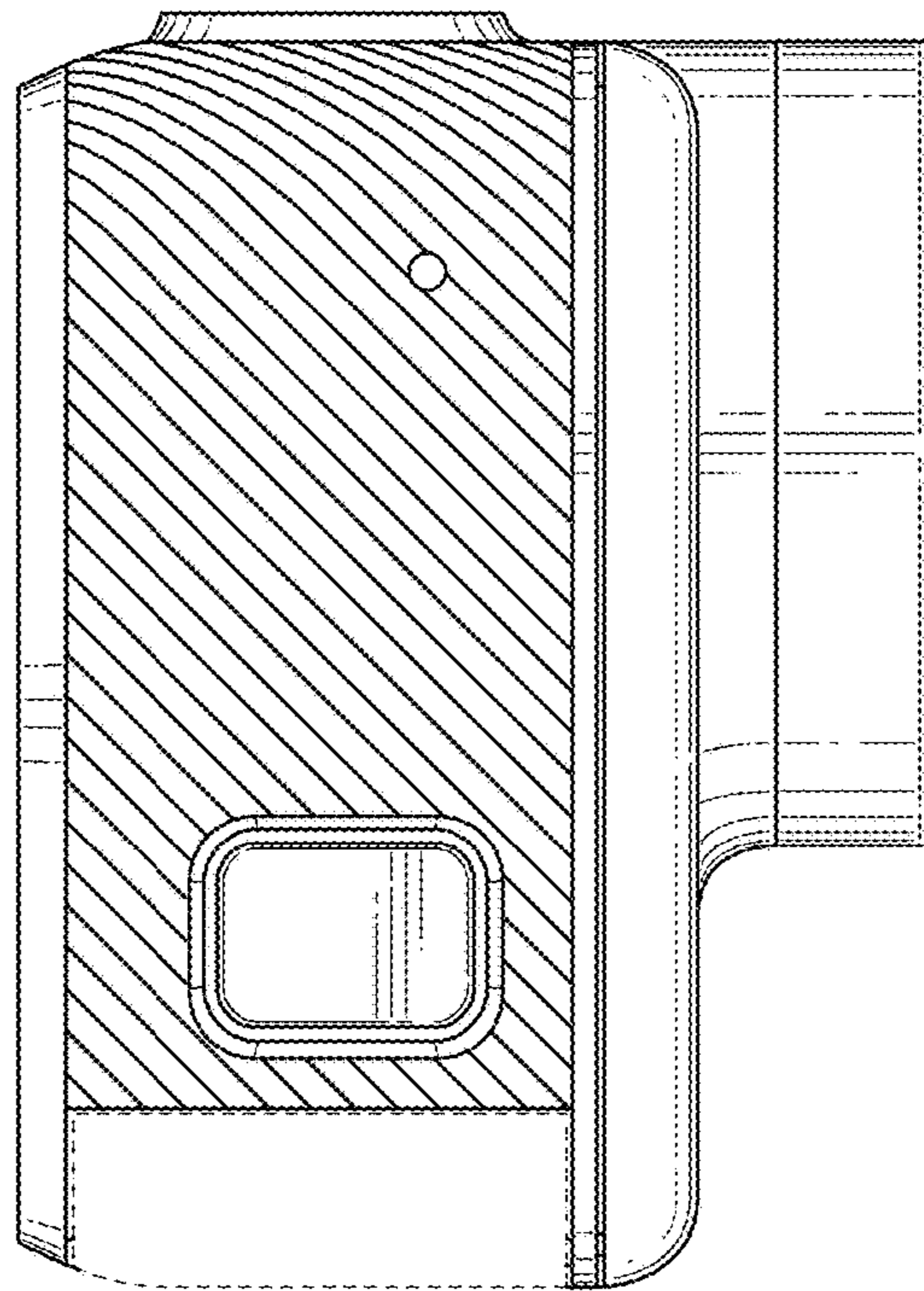


FIG. 7

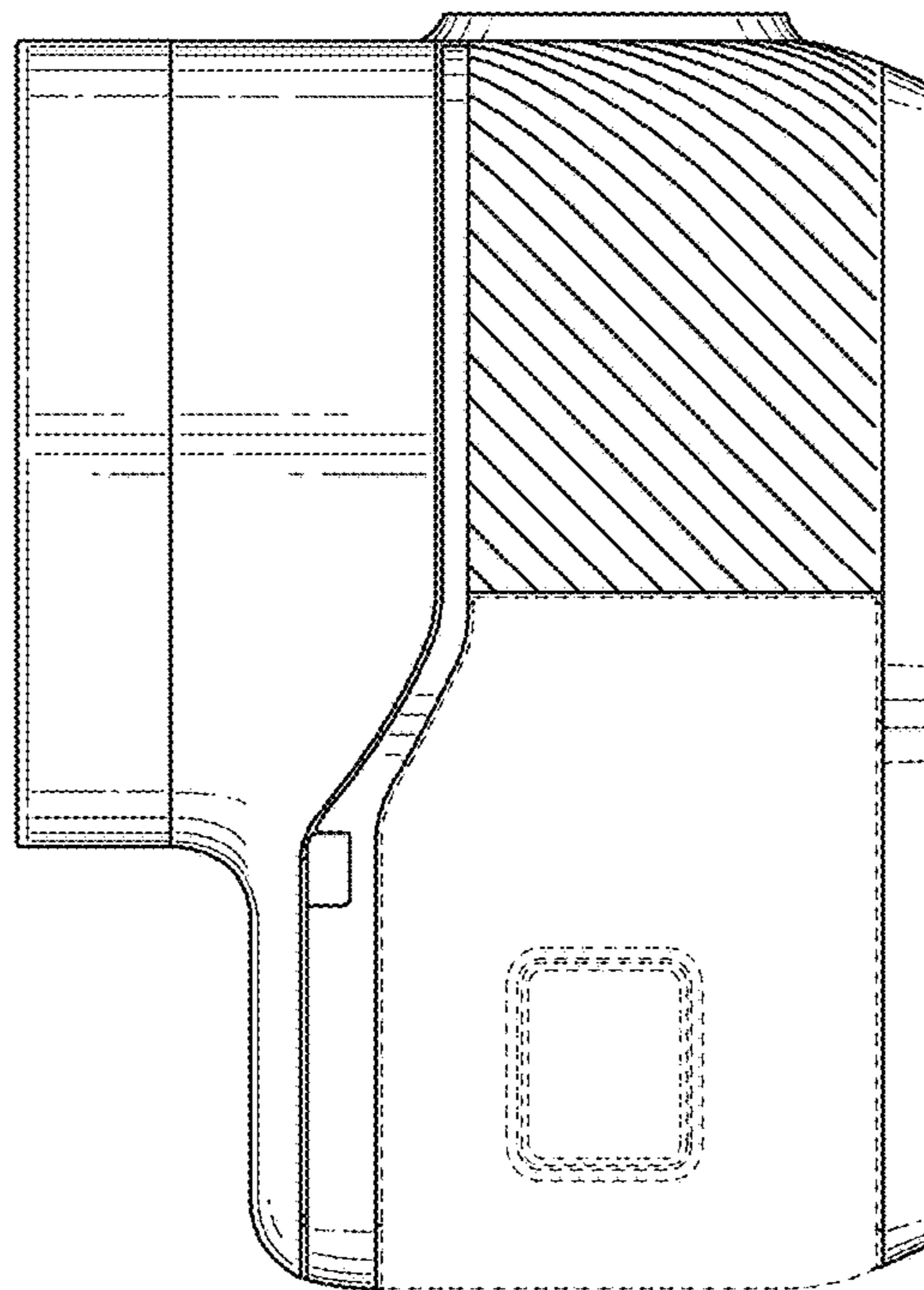


FIG. 8

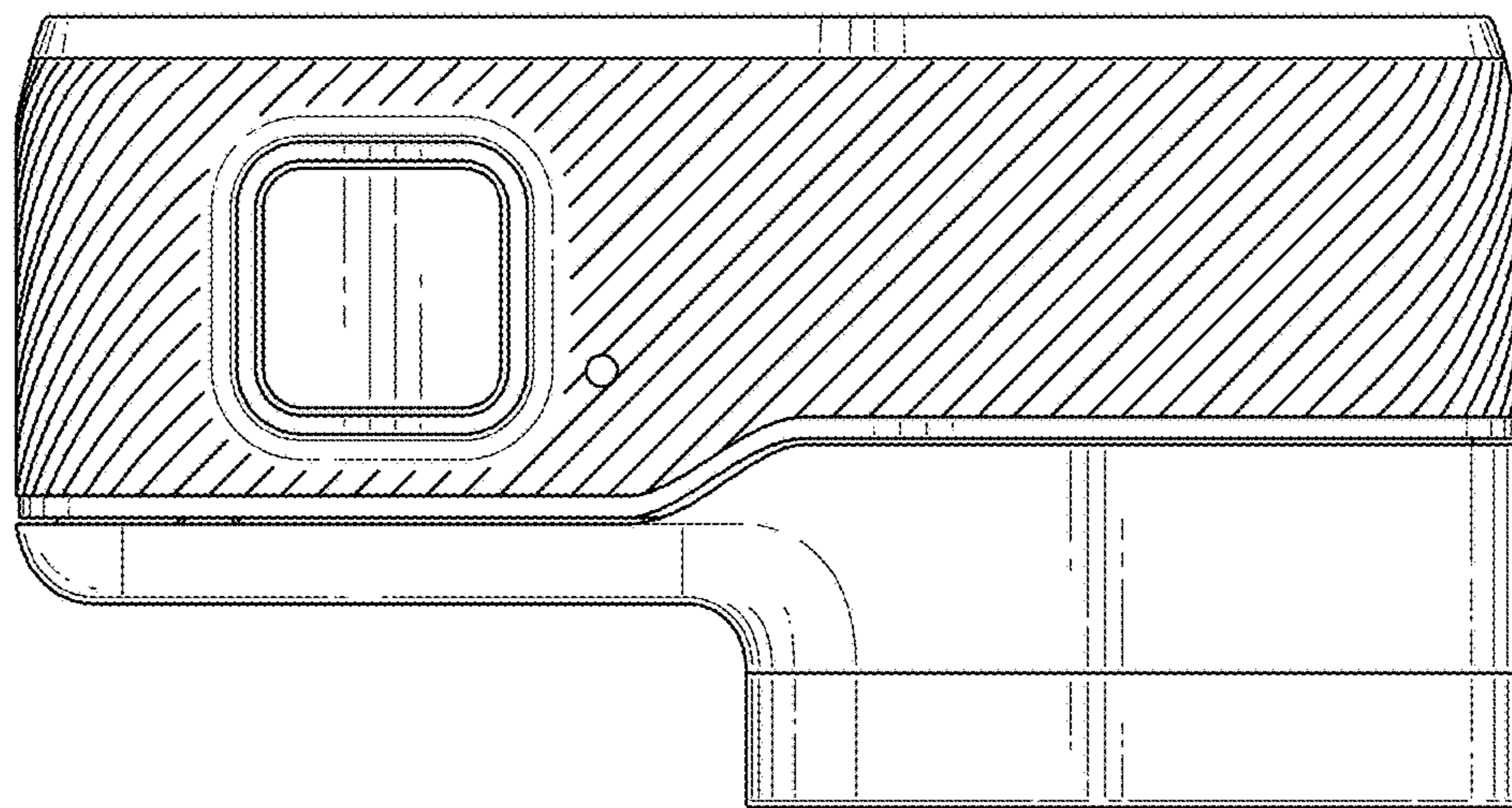


FIG. 9

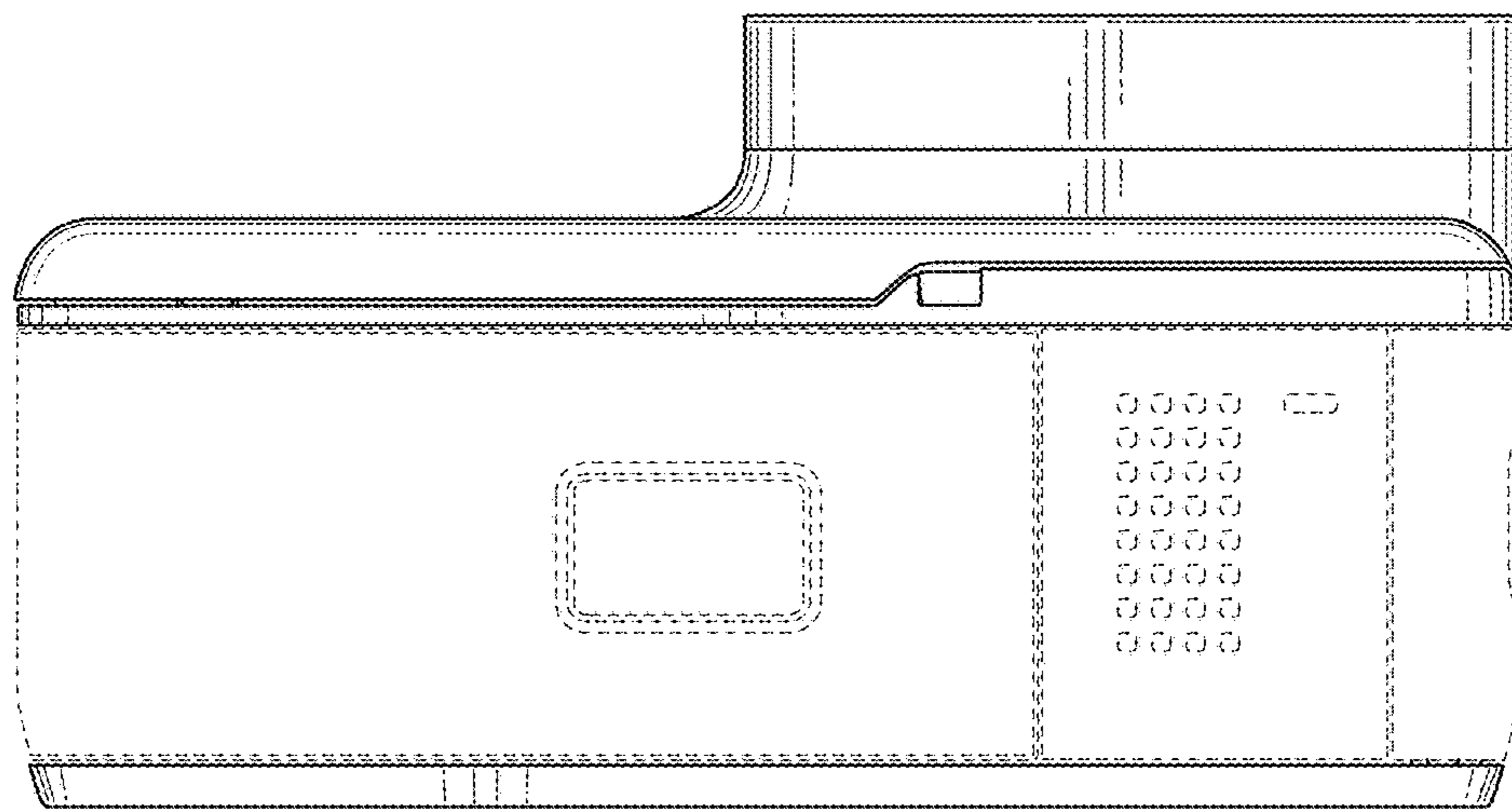


FIG. 10