



US00D840462S

(12) **United States Design Patent**
Rosenberg et al.

(10) **Patent No.:** **US D840,462 S**

(45) **Date of Patent:** **** Feb. 12, 2019**

(54) **PLUG MOUNT FOR A VIDEO CAMERA**

(71) Applicant: **Logitech Europe S.A.**, Lausanne (CH)

(72) Inventors: **Aron Michael Rosenberg**, Lafayette, CA (US); **Andrew Gartrell**, Walnut Creek, CA (US); **Gaurav Bradoo**, San Francisco, CA (US); **Timucin Kip**, Burlingame, CA (US)

(73) Assignee: **Logitech Europe S.A.**, Lausanne (CH)

(**) Term: **15 Years**

(21) Appl. No.: **29/612,540**

(22) Filed: **Aug. 1, 2017**

(51) **LOC (11) Cl.** **16-01**

(52) **U.S. Cl.**
USPC **D16/218**

(58) **Field of Classification Search**
USPC D16/200, 202–206, 218, 219, 242;
348/143, 148, 151, 373–376; 396/419,
396/427, 535, 539–541
CPC G03B 17/02; G03B 19/04; G03B 17/56;
G03B 17/04; G03B 15/03; H04N 5/2251;
H04N 5/2252; H04N 5/2253; H04N
5/2254; H04N 7/181; H04N 7/183; H04N
7/18; G08B 13/1963; G08B 13/19619;
G08B 13/19632; F16M 11/04; F16M
13/00

See application file for complete search history.

(56) **References Cited**

U.S. PATENT DOCUMENTS

D435,576 S	*	12/2000	McBride	D16/203
D435,577 S	*	12/2000	McBride	D16/203
D520,548 S	*	5/2006	Tsai	D16/203
D673,988 S	*	1/2013	Riegl	D16/202
D695,809 S	*	12/2013	Katori	D16/203
D697,240 S	*	1/2014	Rupp	D26/2
D721,753 S	*	1/2015	Park	D16/202

D728,655 S	*	5/2015	Daniel	D16/203
D740,873 S	*	10/2015	Scalisi	D16/203
D743,468 S	*	11/2015	Ribeiro	D16/214

(Continued)

Primary Examiner — Philip S Hyder

Assistant Examiner — Ramzi S Almatrahi

(74) *Attorney, Agent, or Firm* — Kilpatrick Townsend & Stockton LLP

(57) **CLAIM**

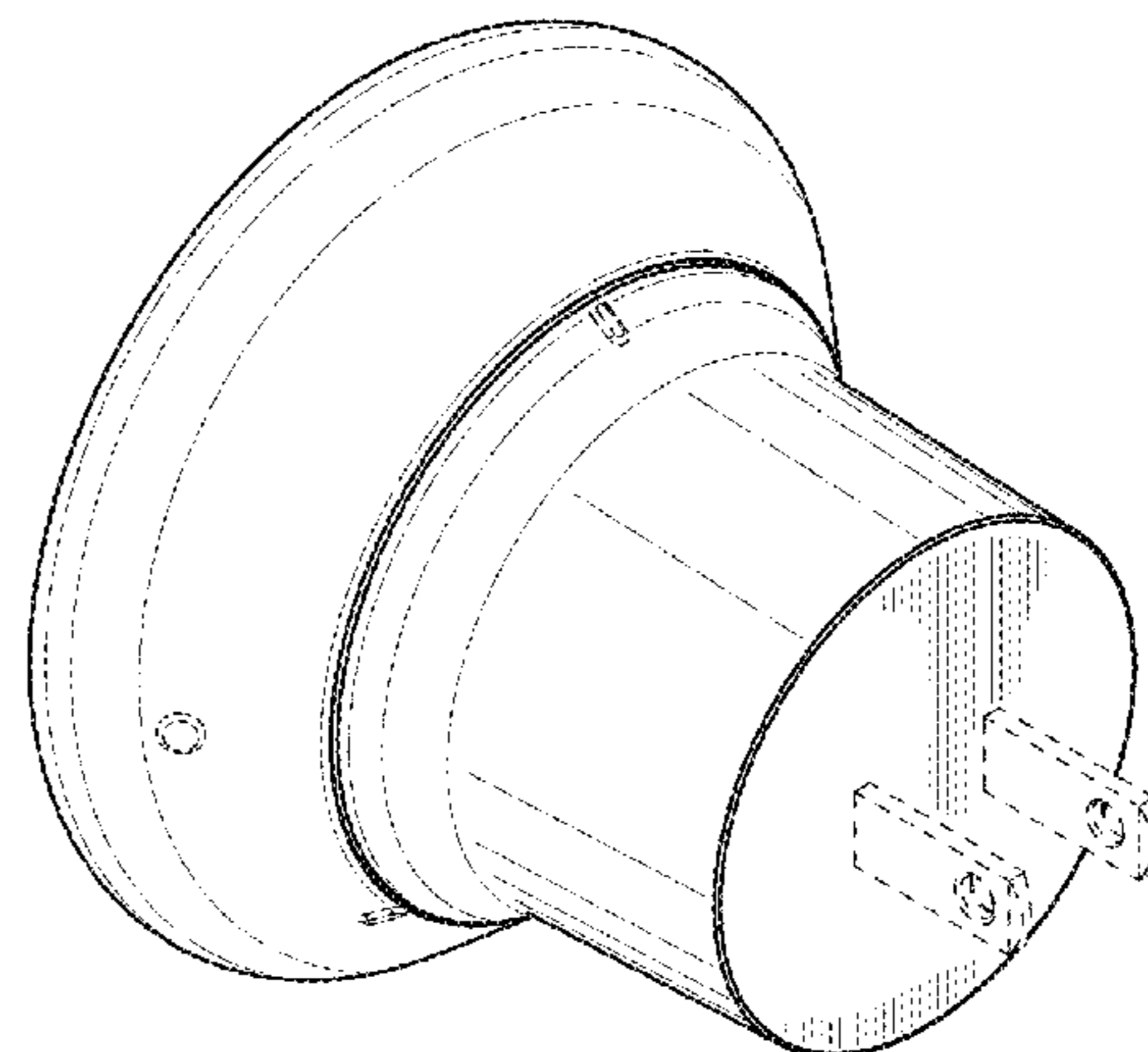
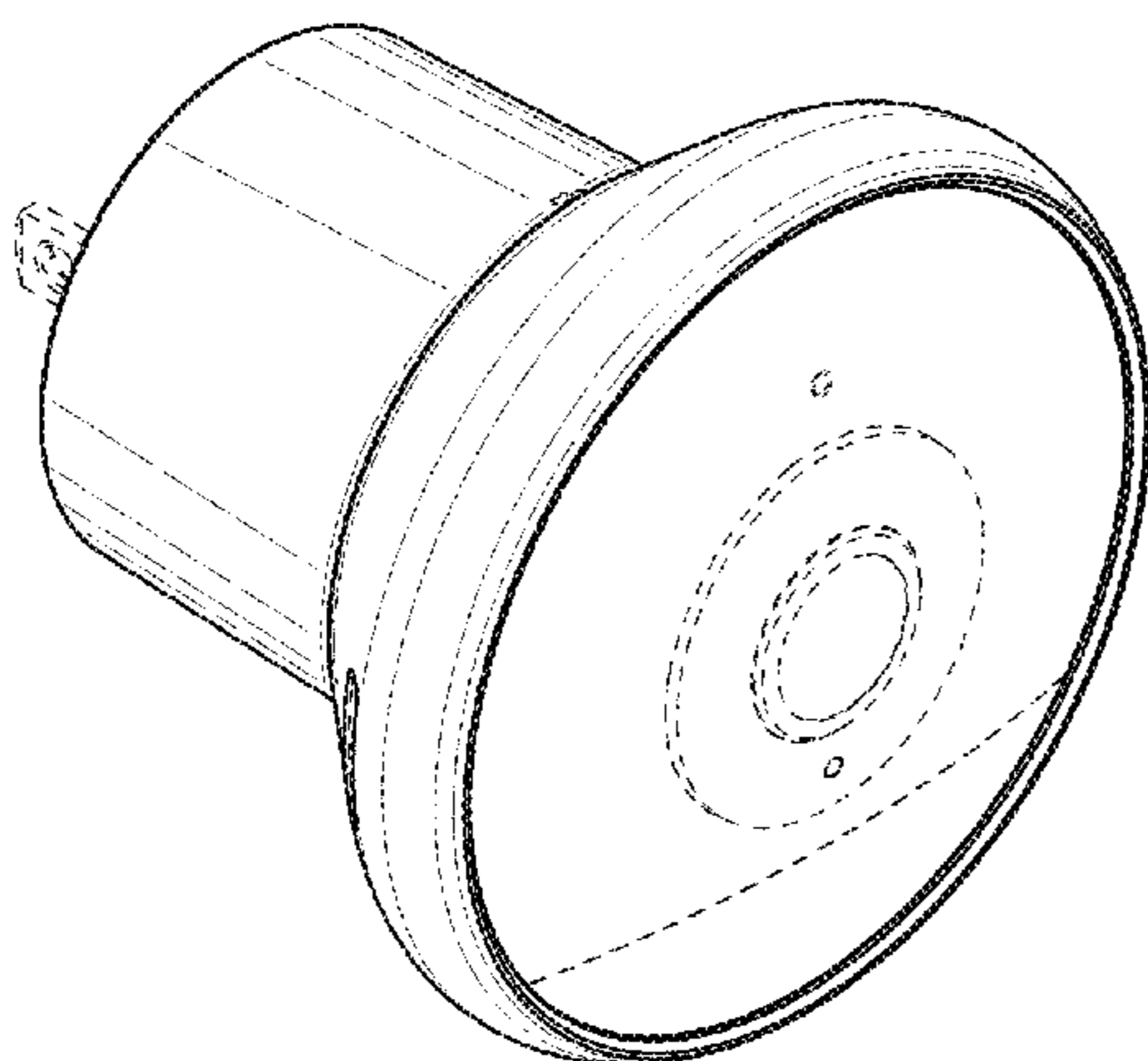
The ornamental design for a plug mount for a video camera, as shown and described.

DESCRIPTION

FIG. 1 is a rear perspective view of a first embodiment of a plug mount for a video camera showing our new design; FIG. 2 is a front perspective view thereof; FIG. 3 is an exploded rear perspective view thereof; FIG. 4 is an exploded front perspective view thereof; FIG. 5 is a front elevation view thereof; FIG. 6 is a rear elevation view thereof; FIG. 7 is a top plan view thereof; FIG. 8 is a bottom plan view thereof; FIG. 9 is a left side elevation view thereof; and FIG. 10 is a right side elevation view thereof. FIG. 11 is a rear perspective view of a second embodiment of a plug mount for a video camera showing our new design; FIG. 12 is a front perspective view thereof; FIG. 13 is an exploded rear perspective view thereof; FIG. 14 is an exploded front perspective view thereof; FIG. 15 is a front elevation view thereof; FIG. 16 is a rear elevation view thereof; FIG. 17 is a top plan view thereof; FIG. 18 is a bottom plan view thereof; FIG. 19 is a left side elevation view thereof; and, FIG. 20 is a right side elevation view thereof.

The broken lines depict portions of the plug mount for a video camera in which the design is embodied that form no part of the claimed design.

1 Claim, 12 Drawing Sheets



(56)

References Cited

U.S. PATENT DOCUMENTS

D761,342 S * 7/2016 Kim D16/203
D778,973 S * 2/2017 Lee D16/202
2015/0077555 A1* 3/2015 Scalisi H04M 1/0291
348/143

* cited by examiner

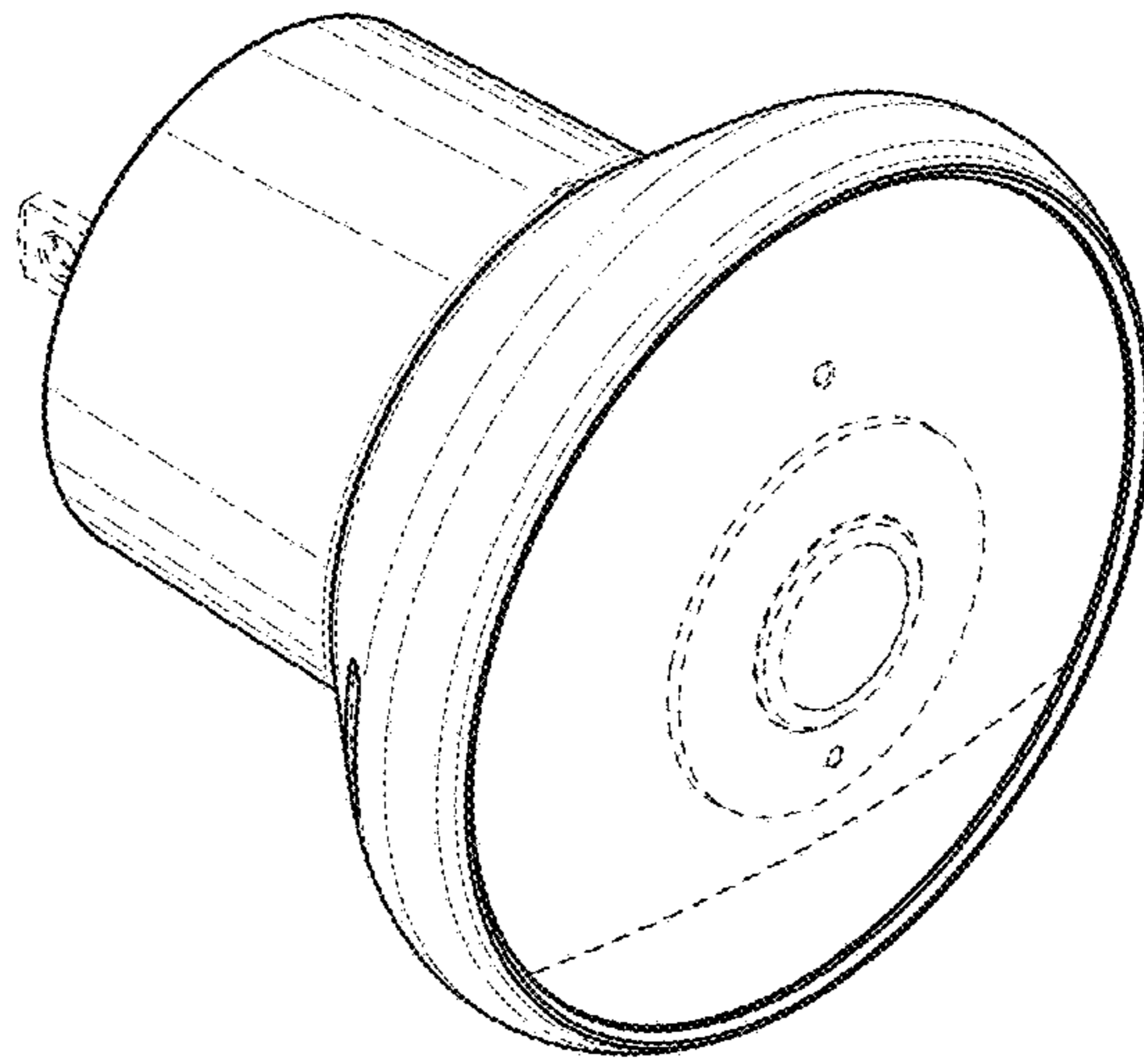


FIG. 1

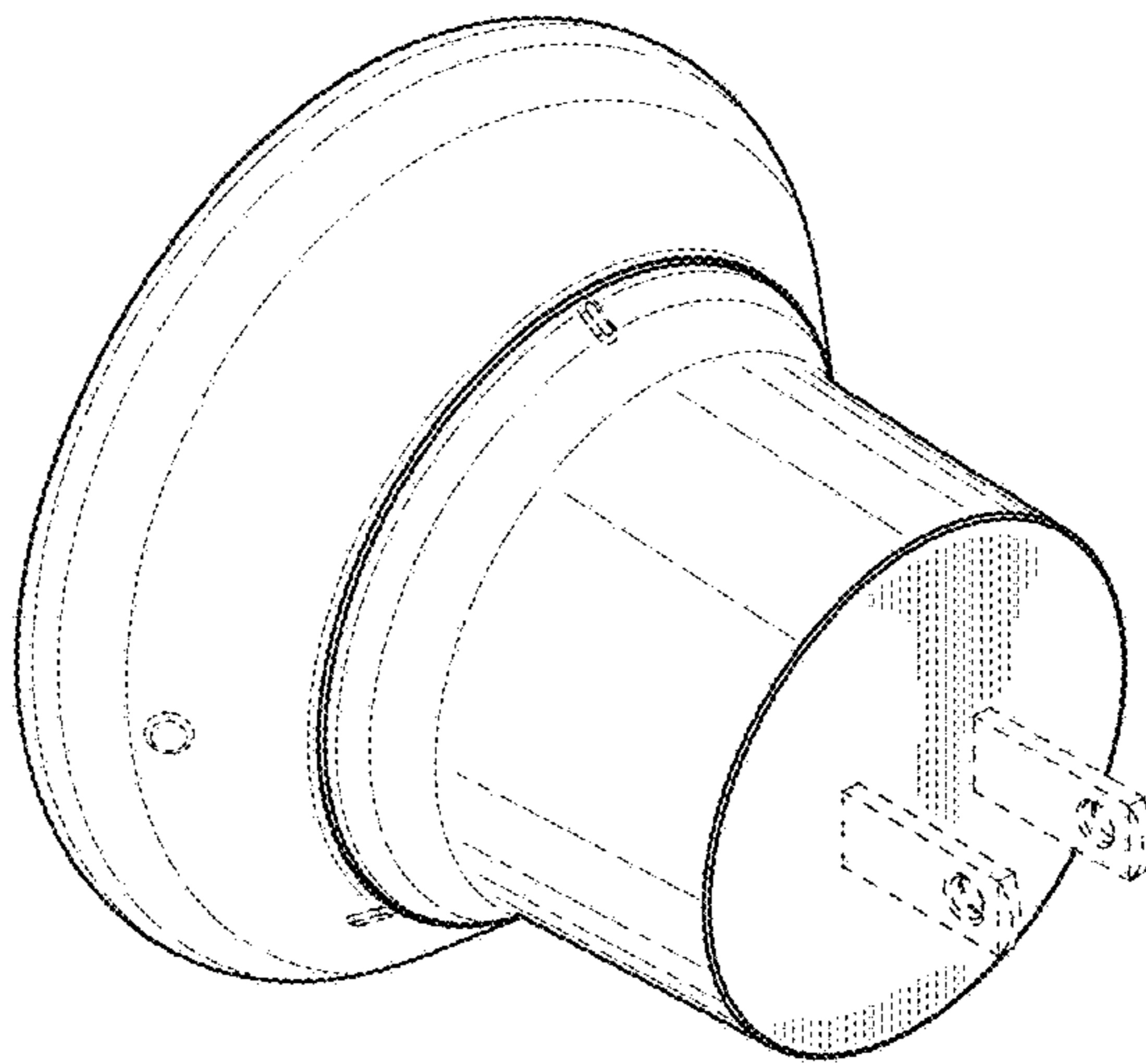


FIG. 2

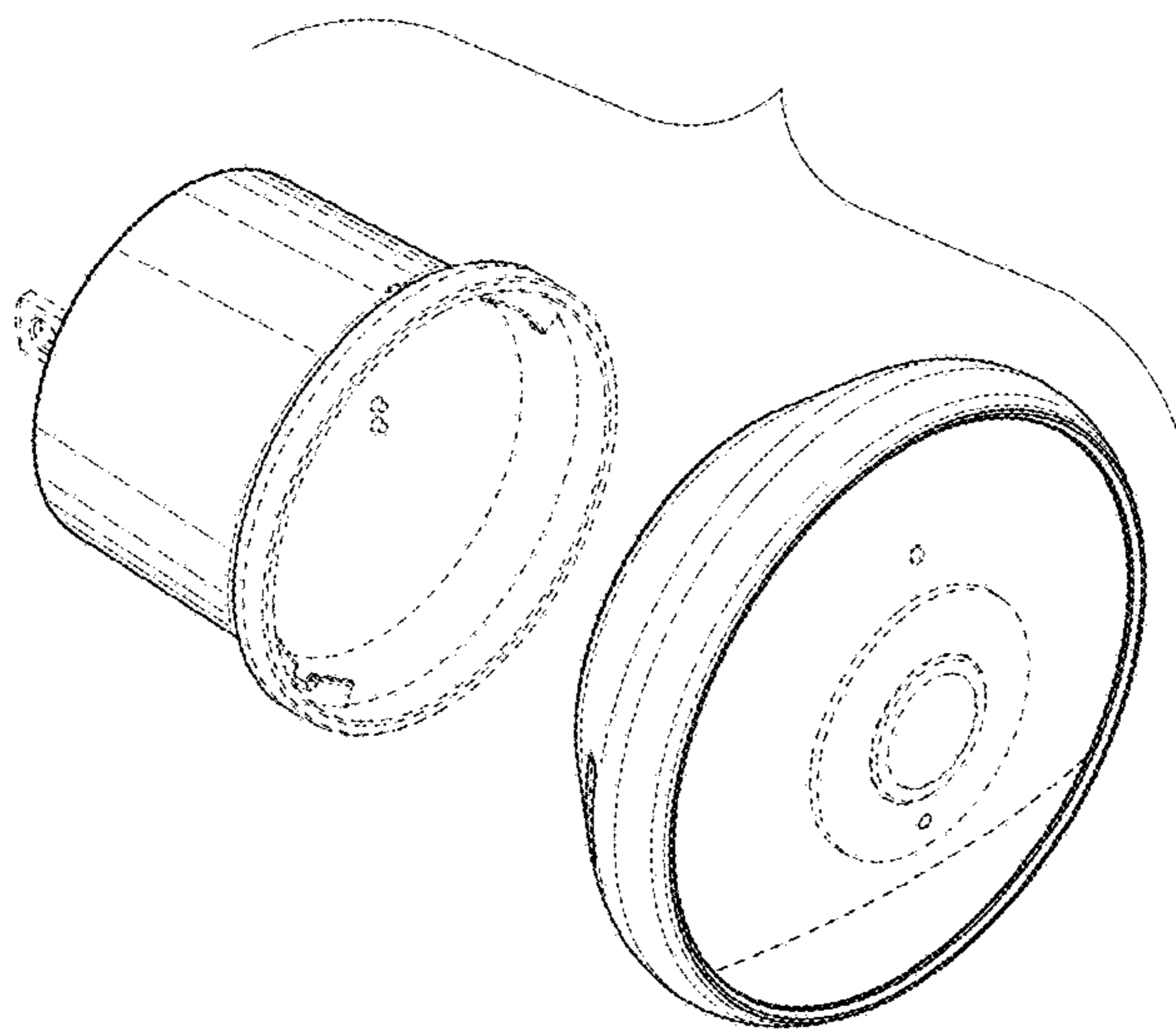


FIG. 3

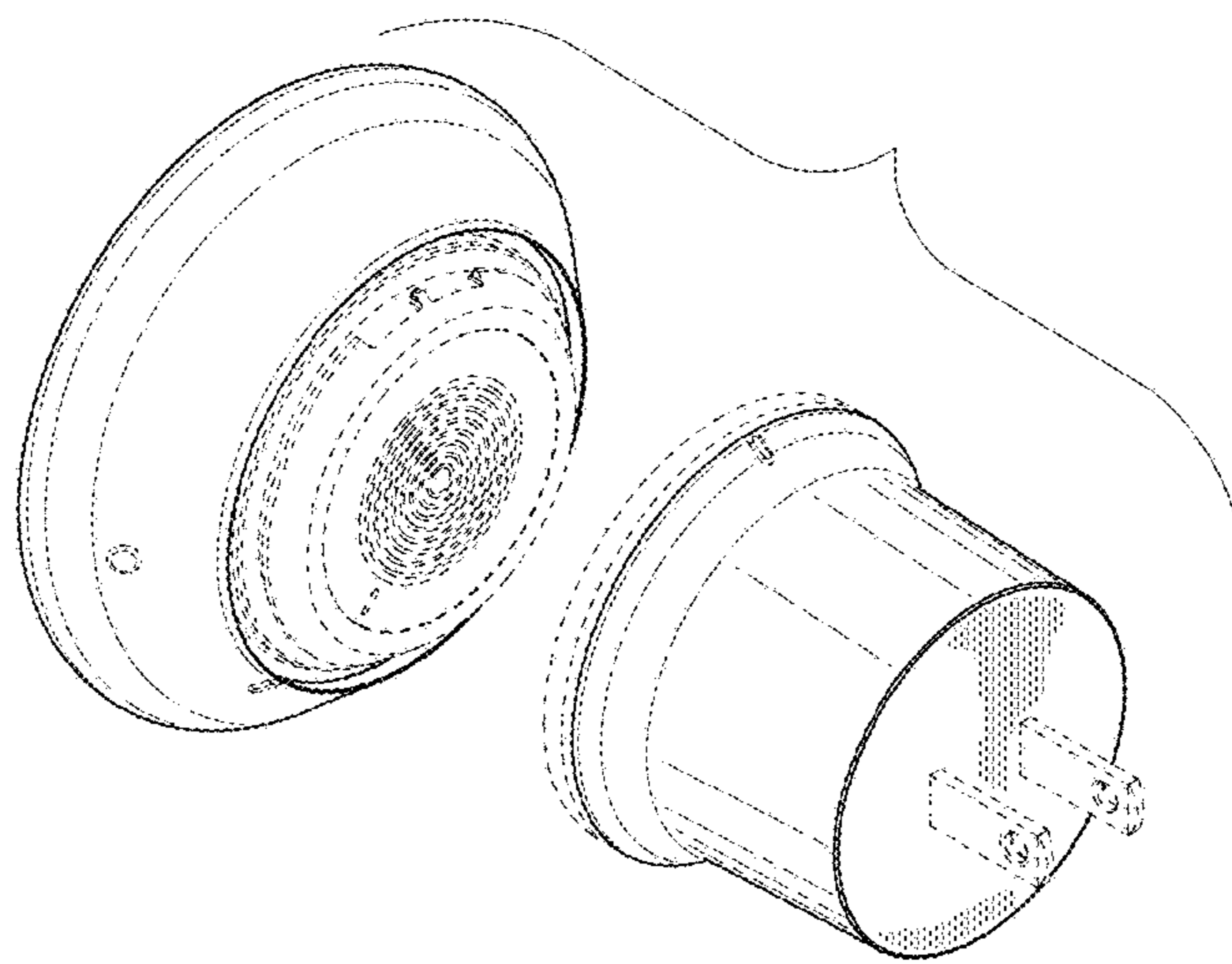


FIG. 4

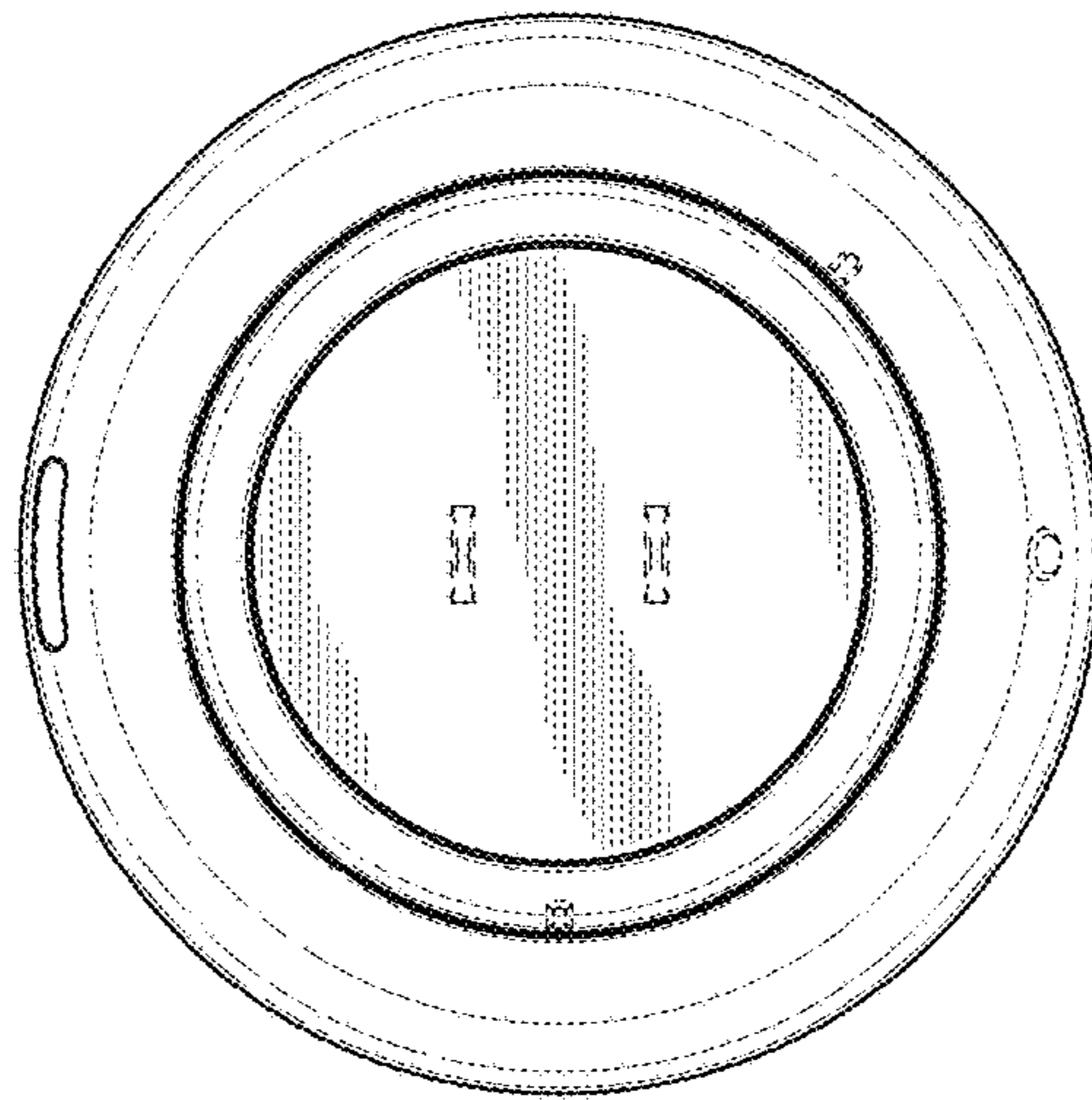


FIG. 5

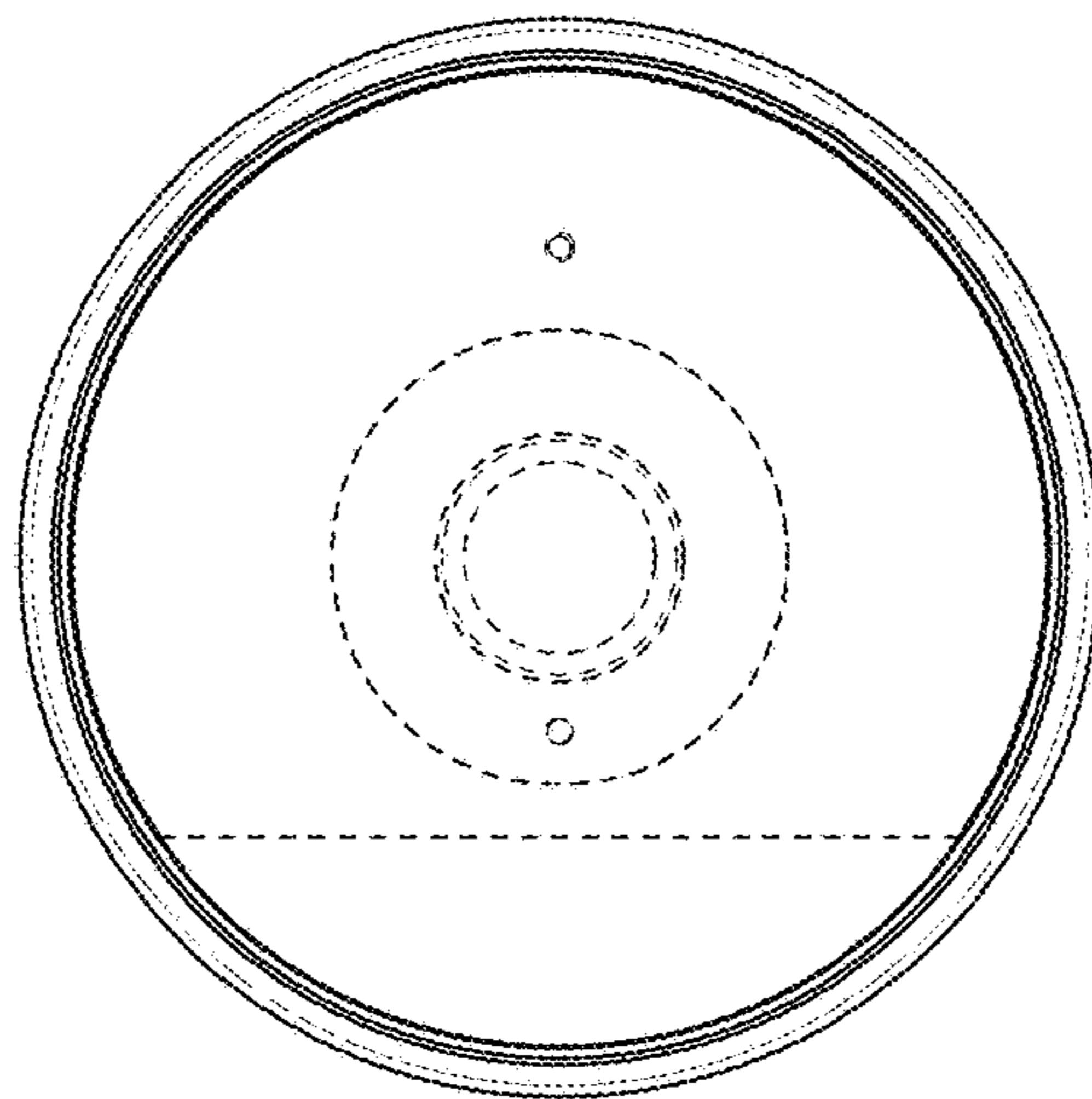


FIG. 6

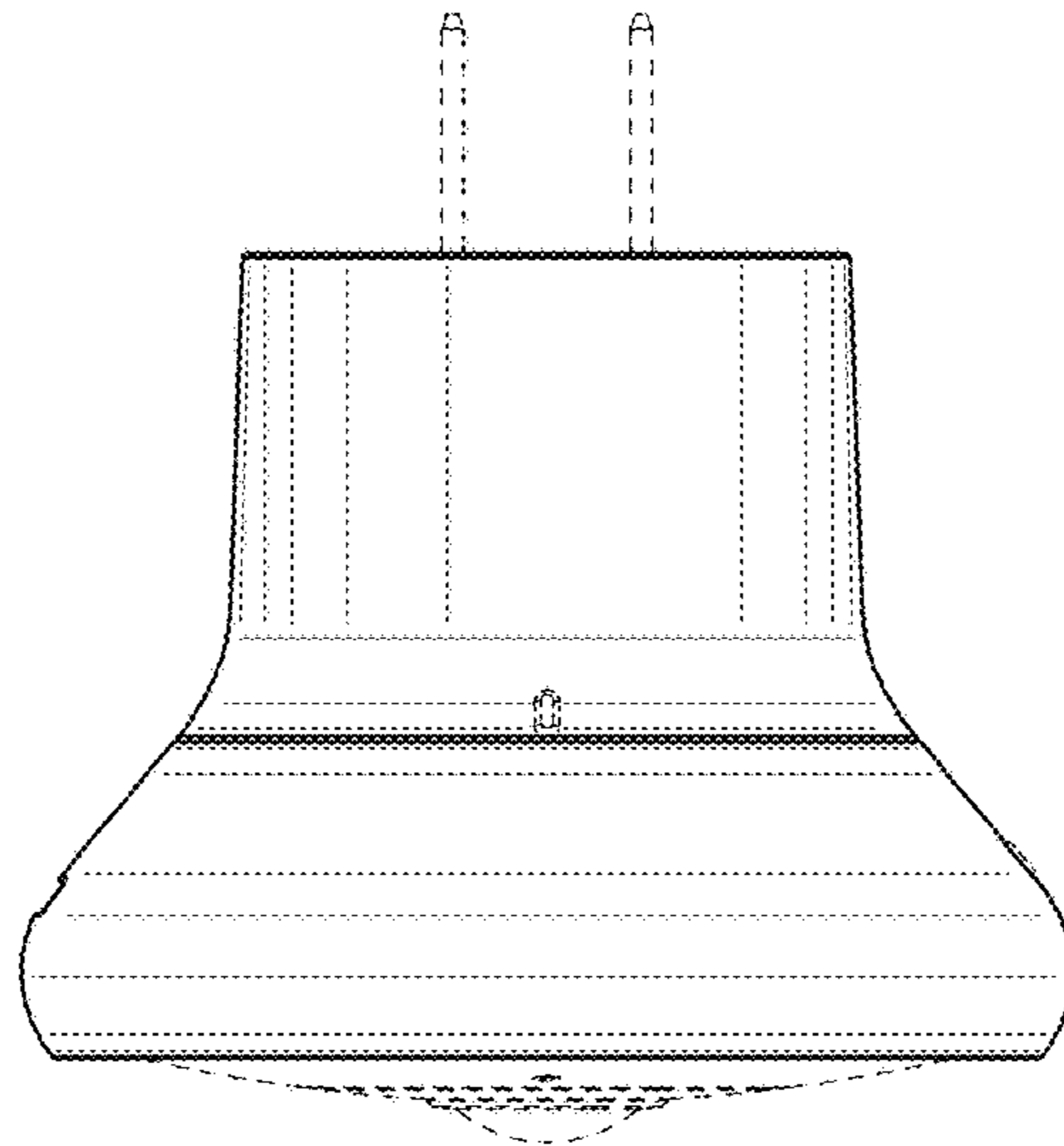


FIG. 7

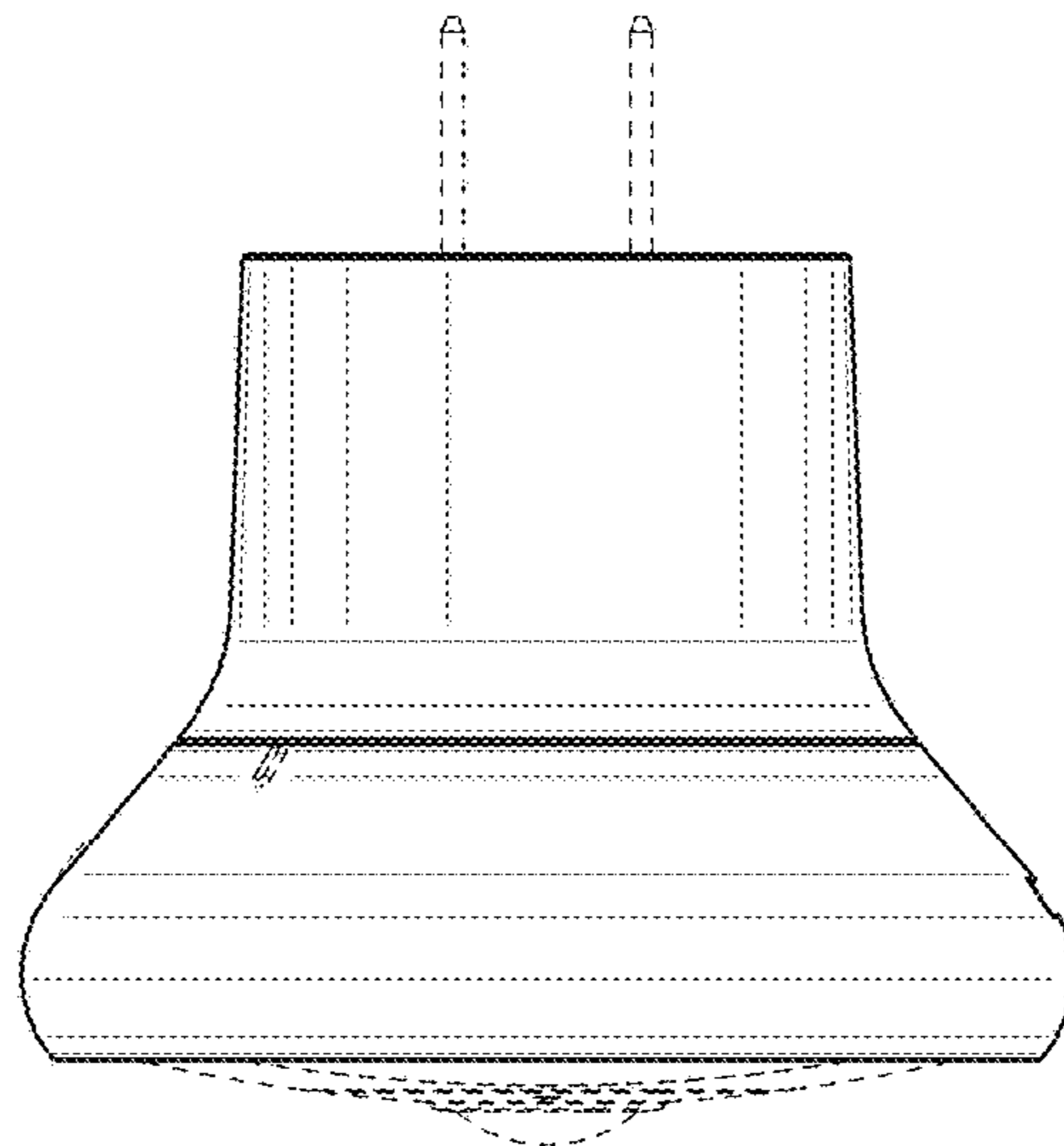


FIG. 8

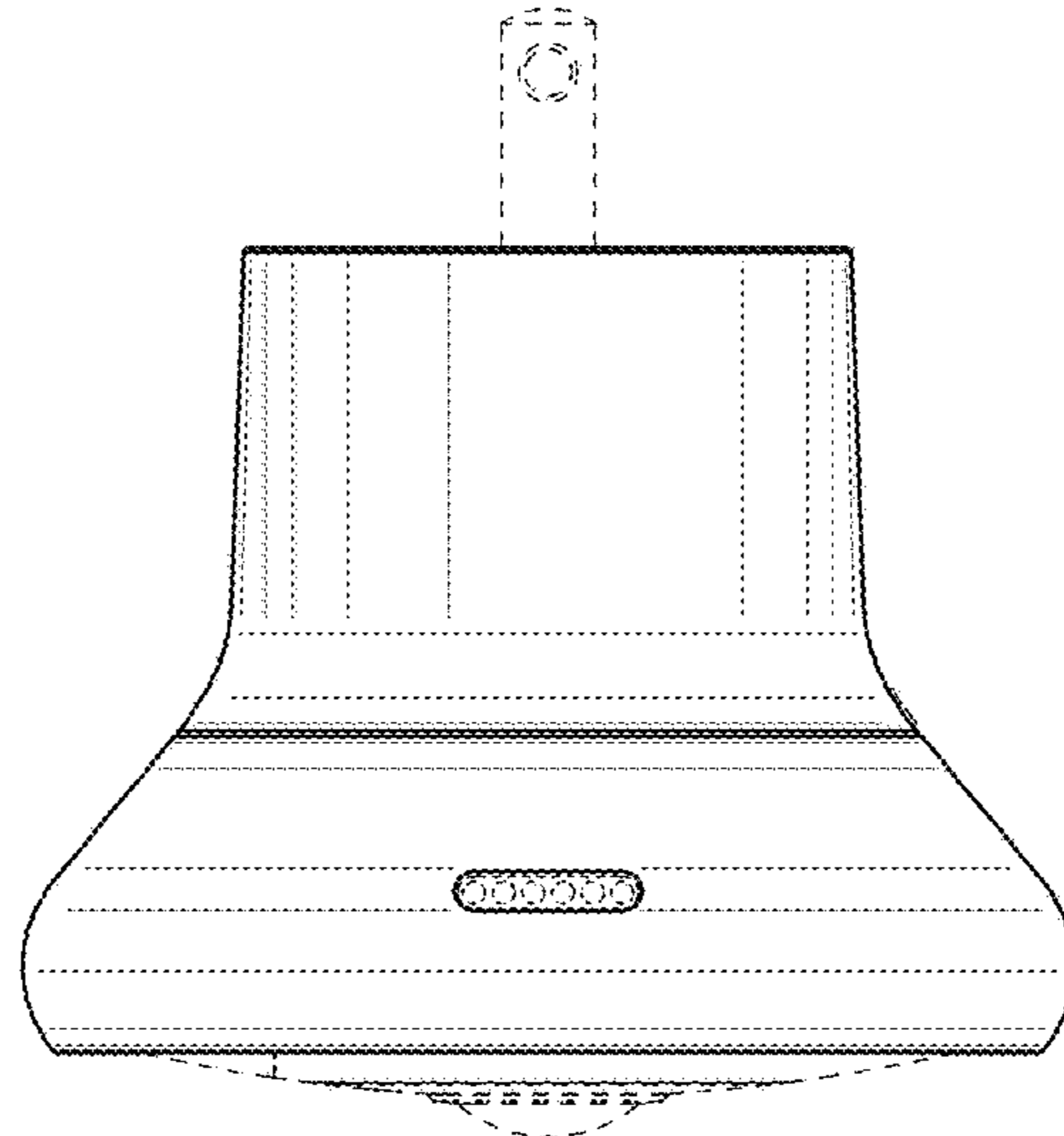


FIG. 9

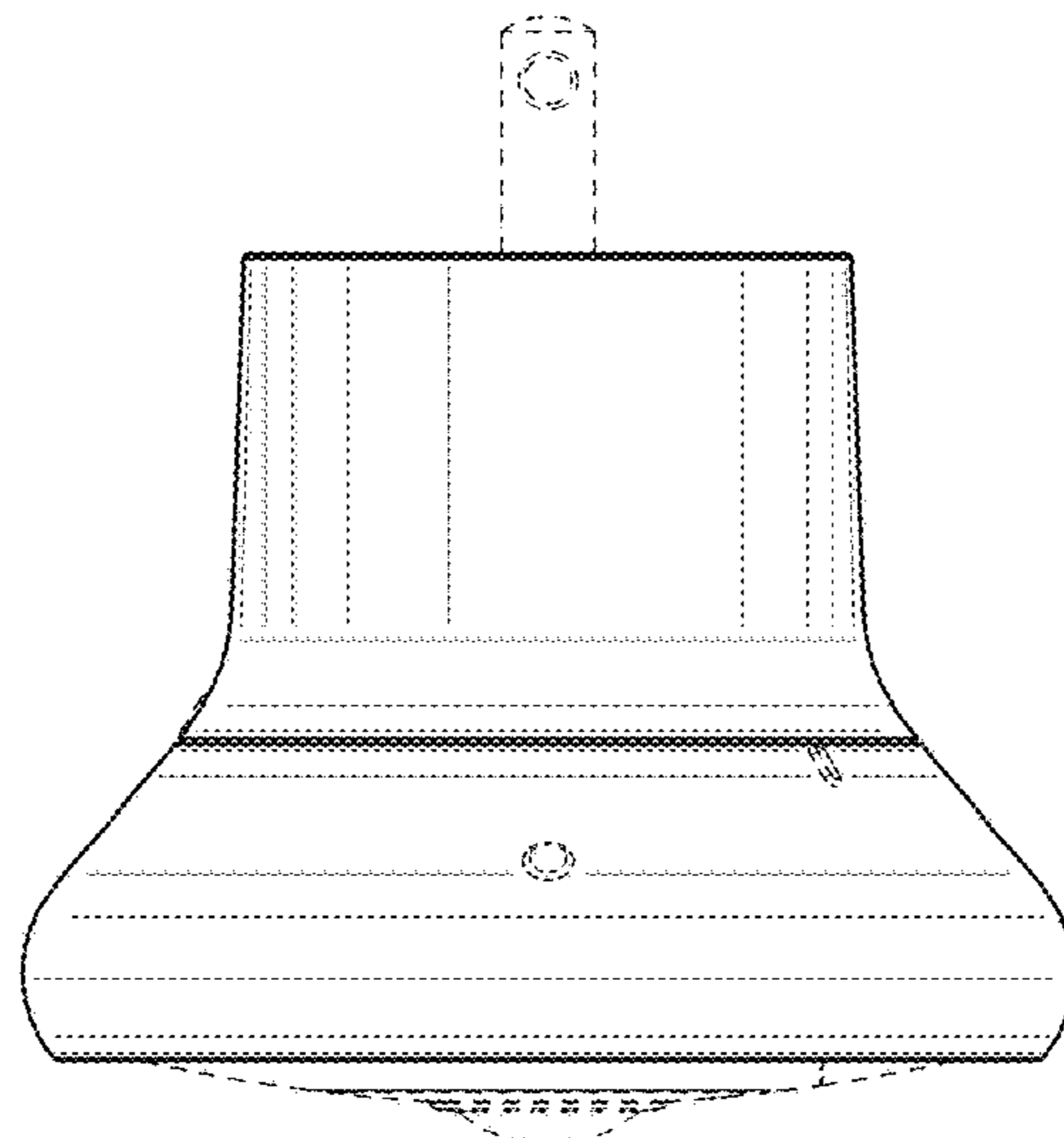


FIG. 10

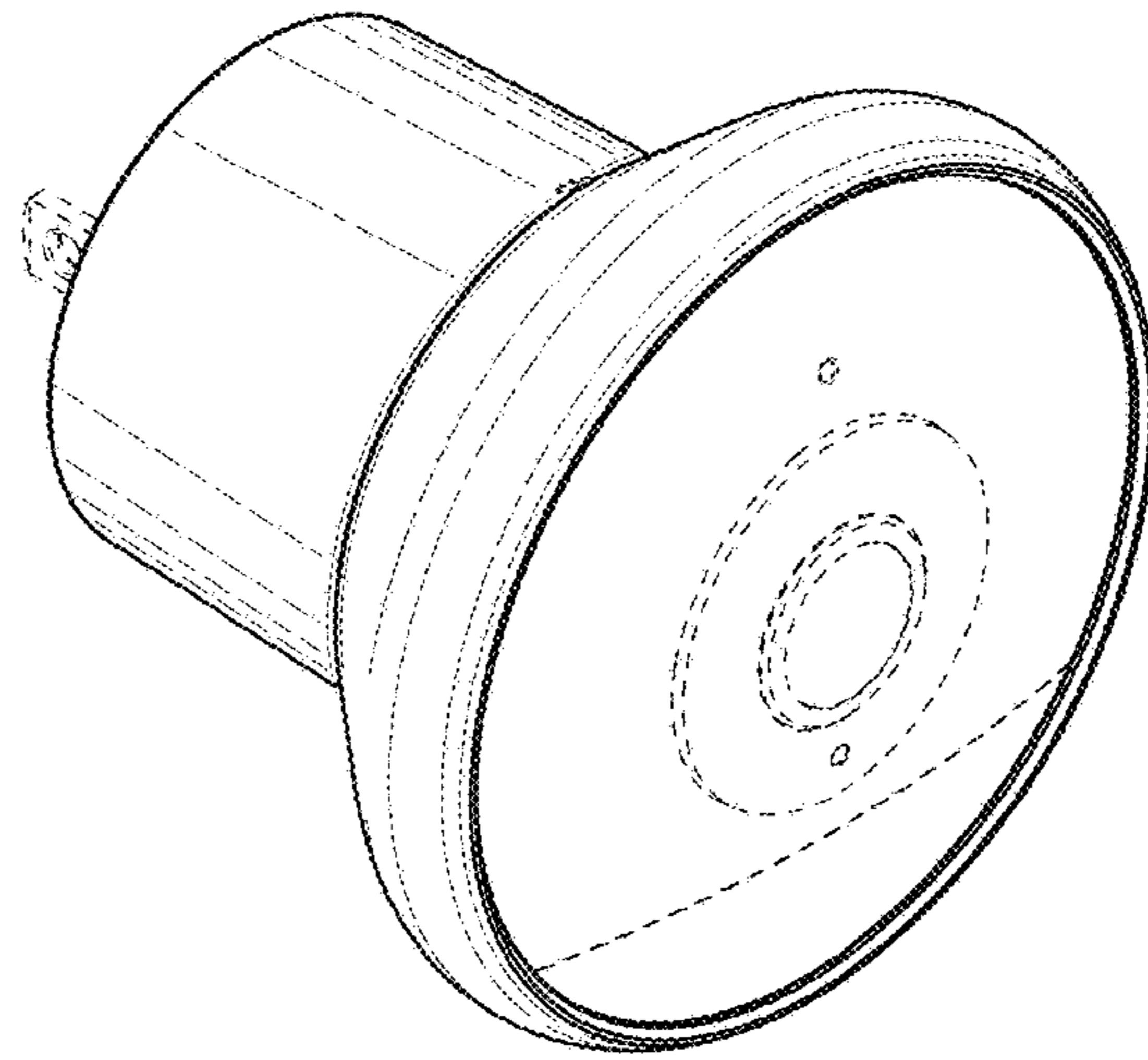


FIG. 11

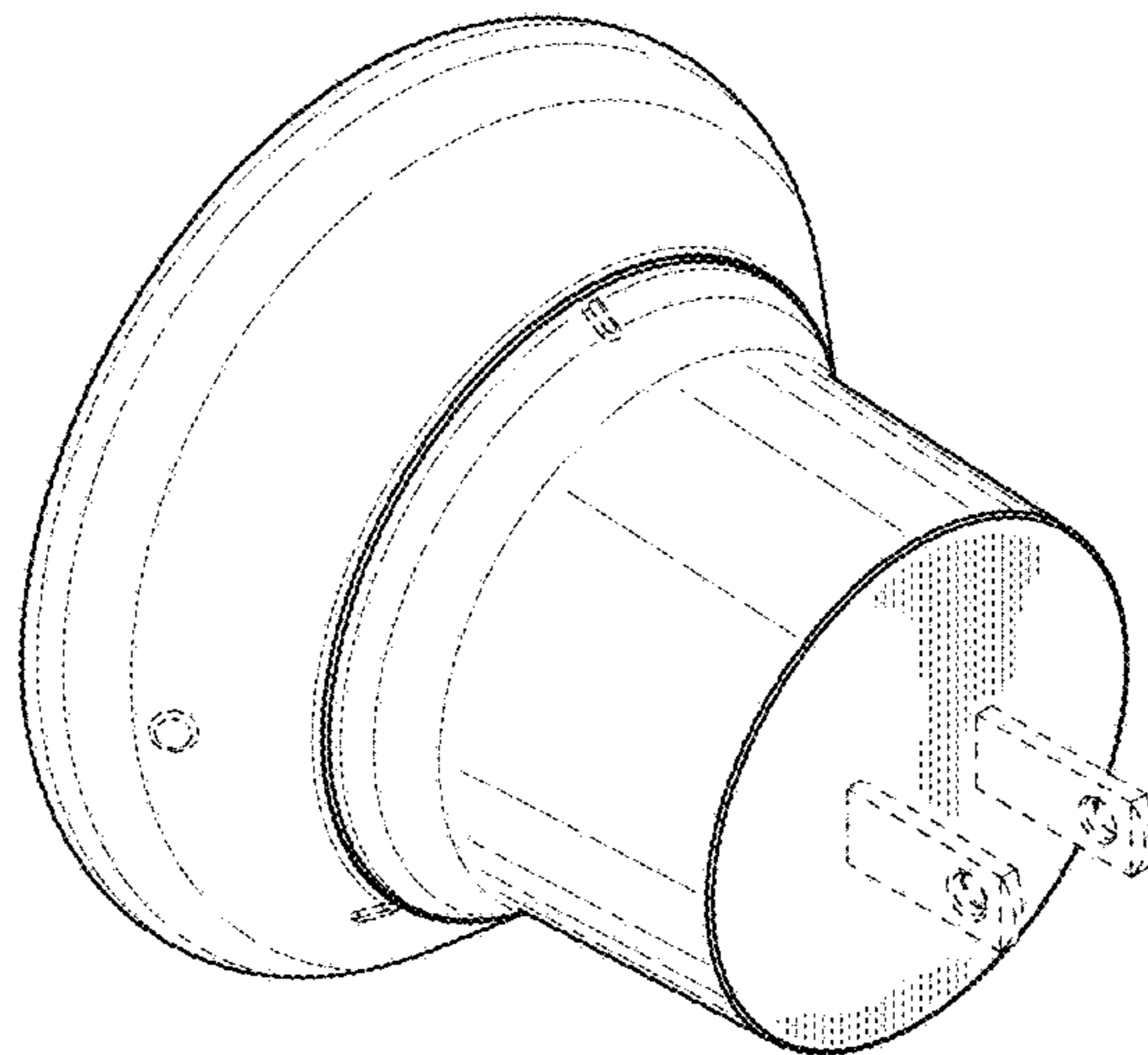


FIG. 12

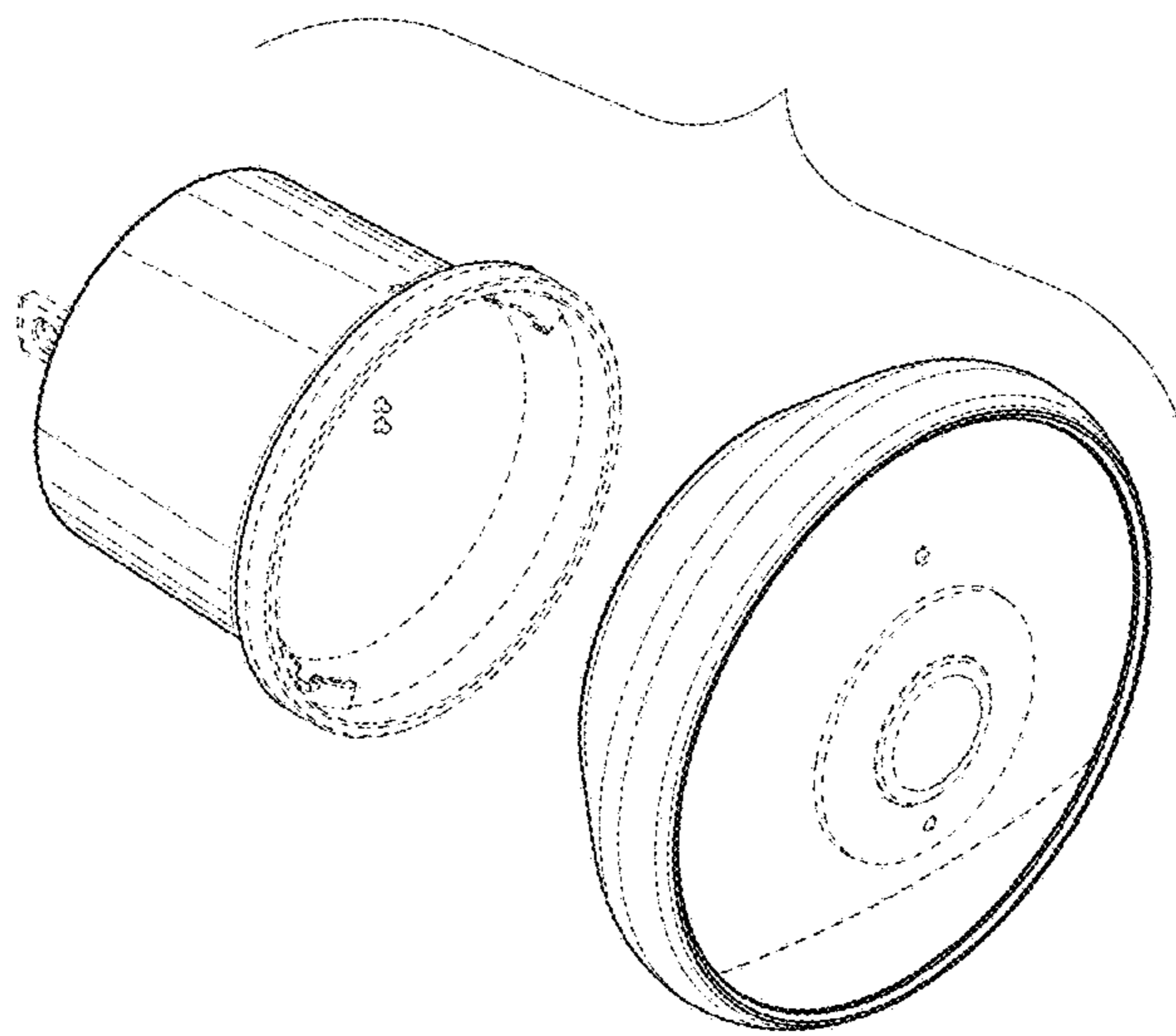


FIG. 13

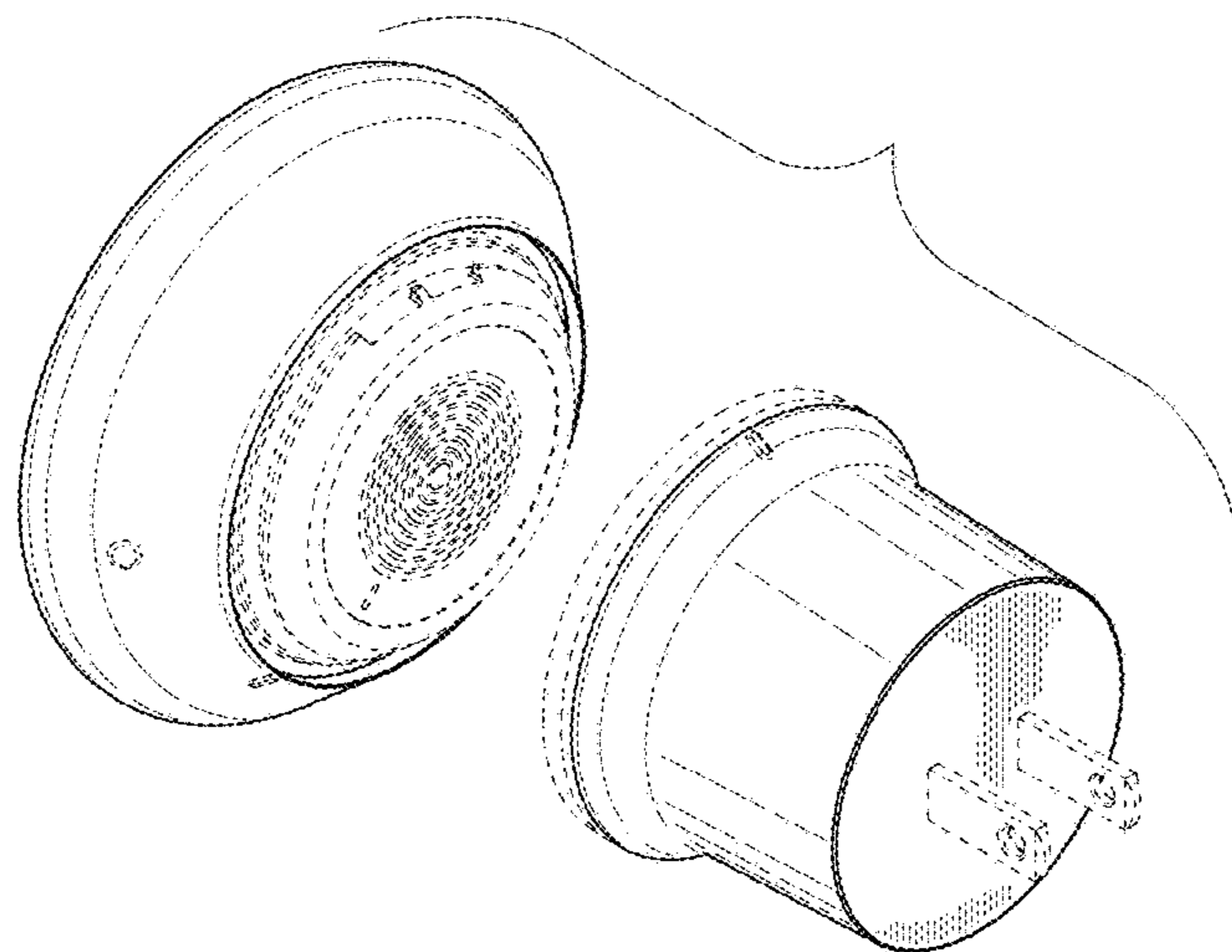


FIG. 14

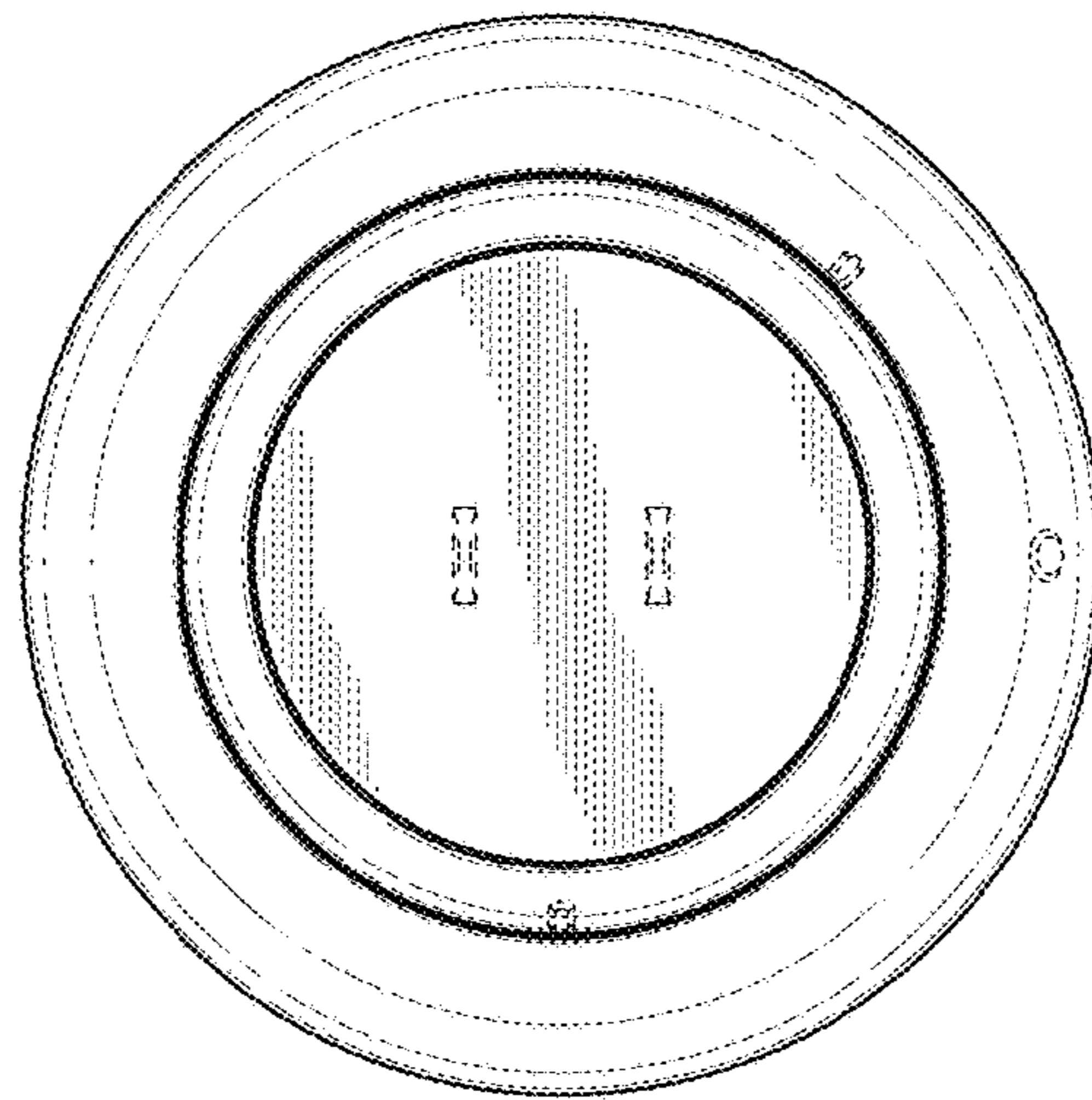


FIG. 15

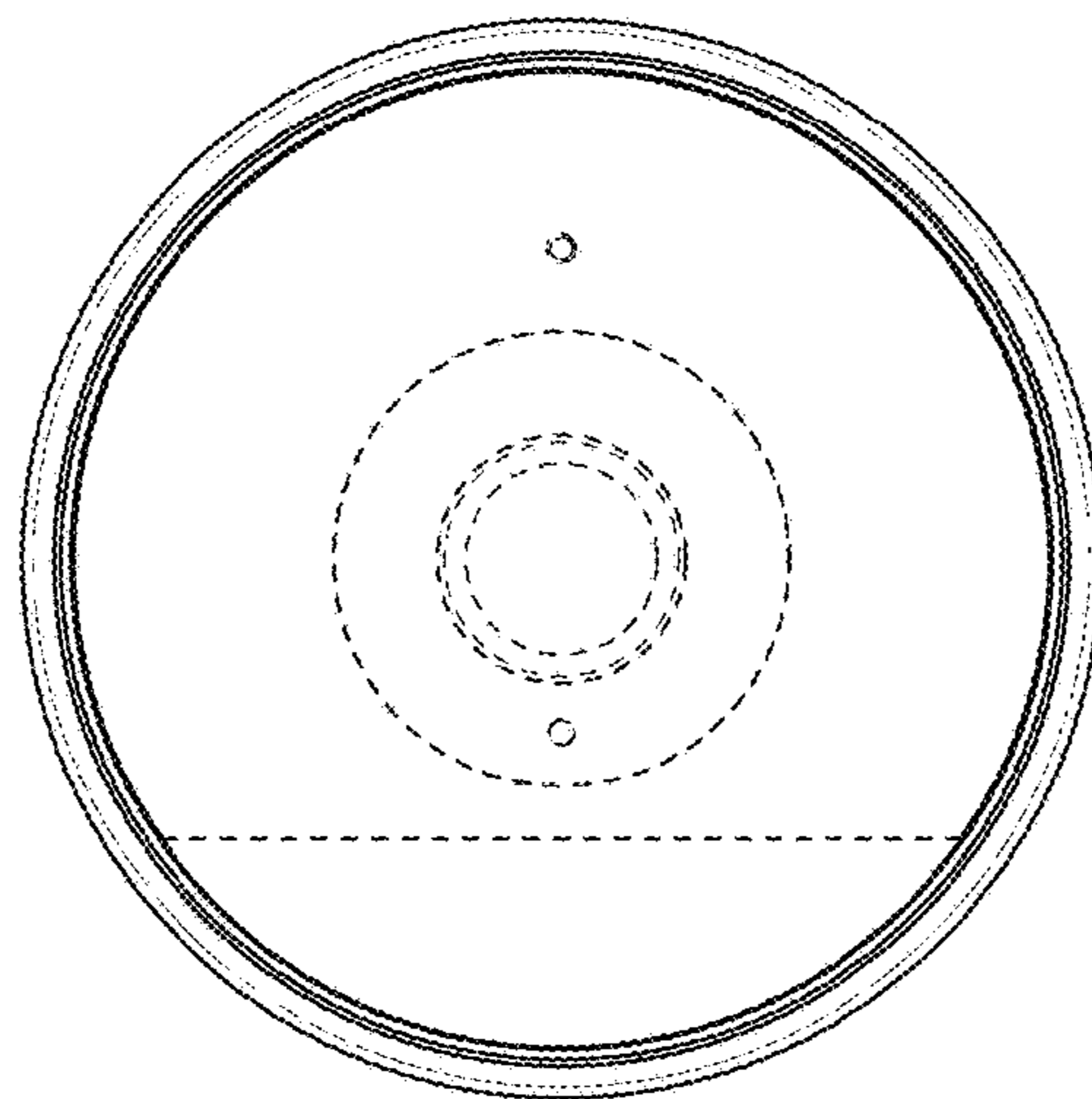


FIG. 16

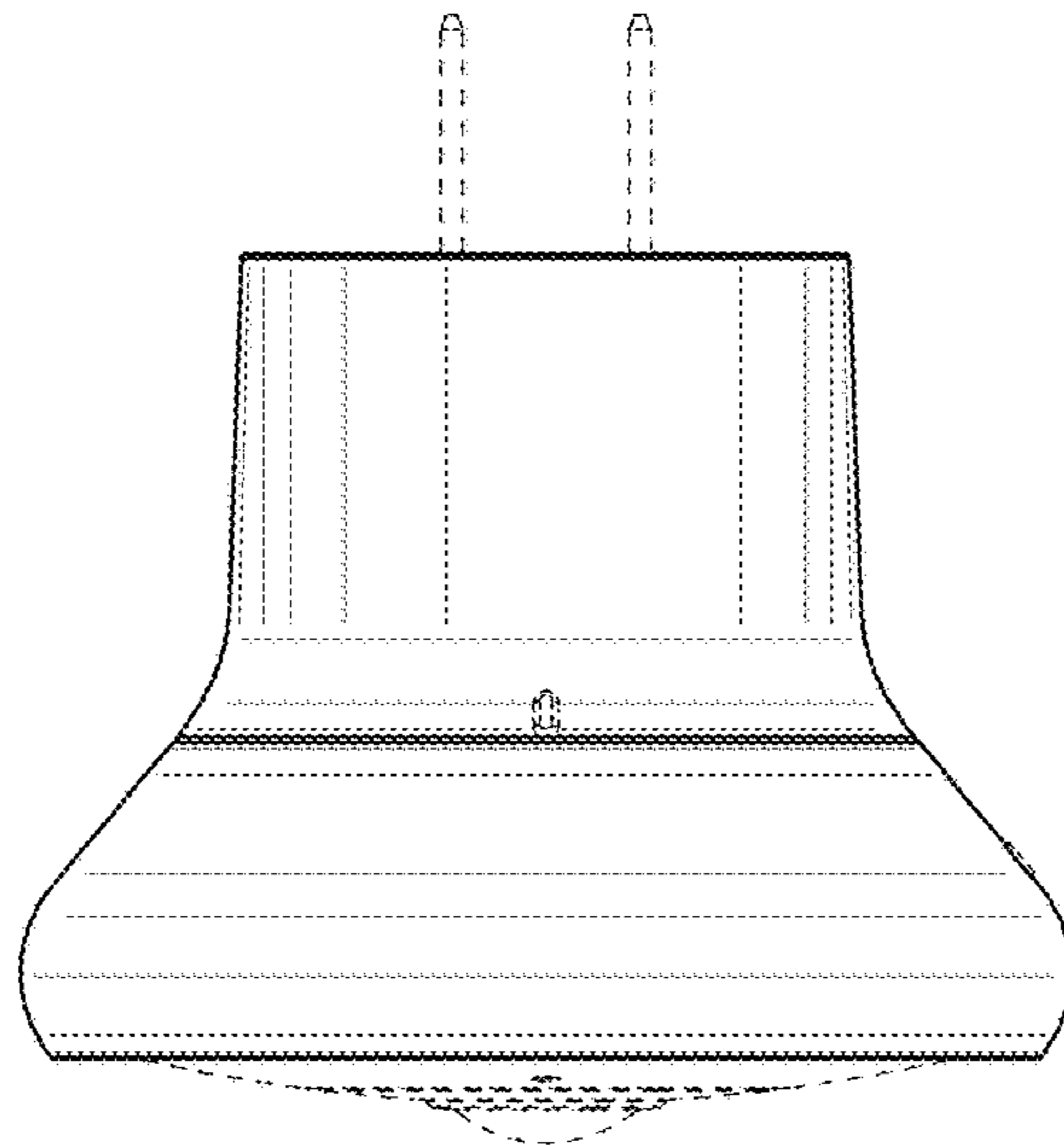


FIG. 17

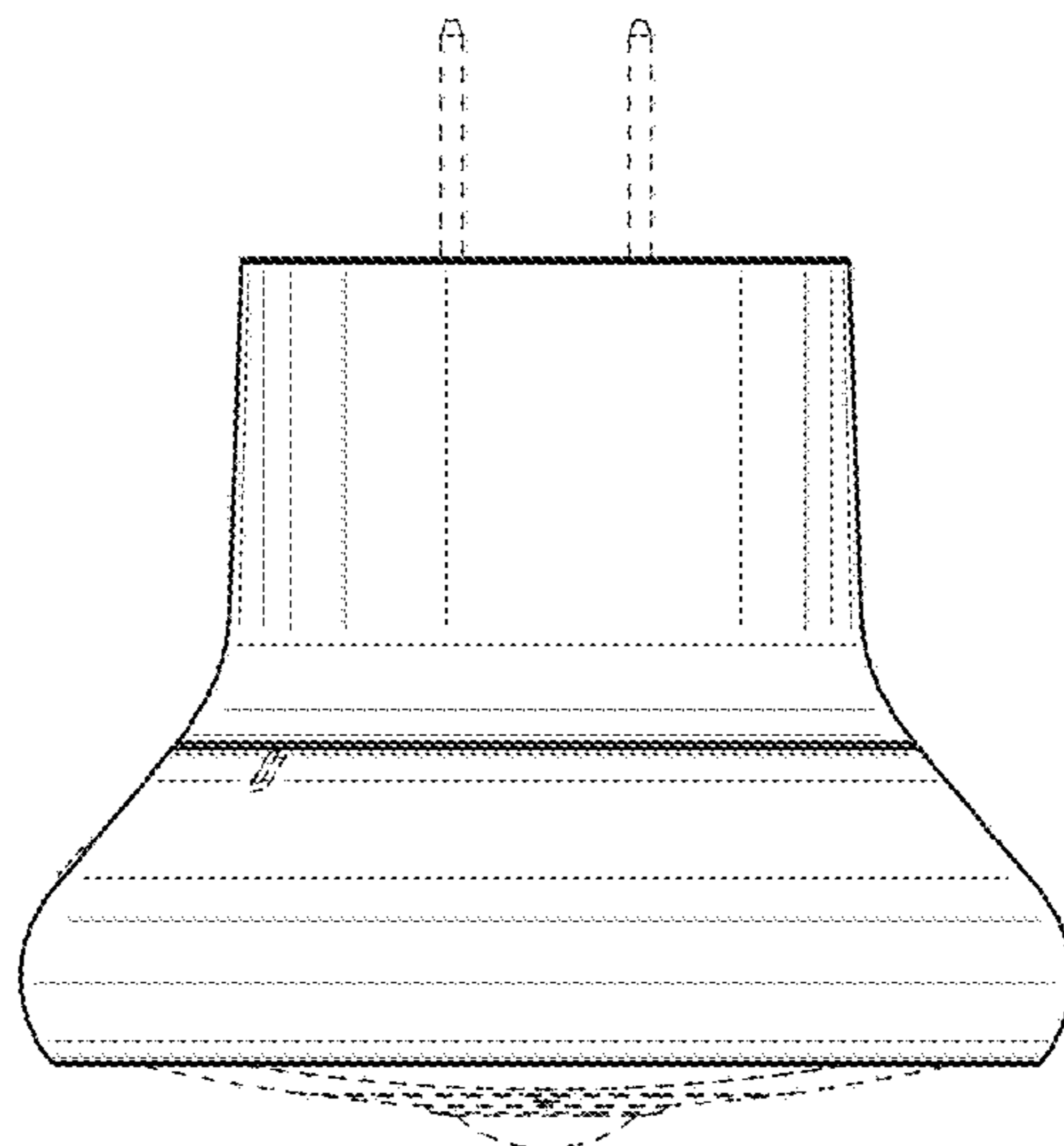


FIG. 18

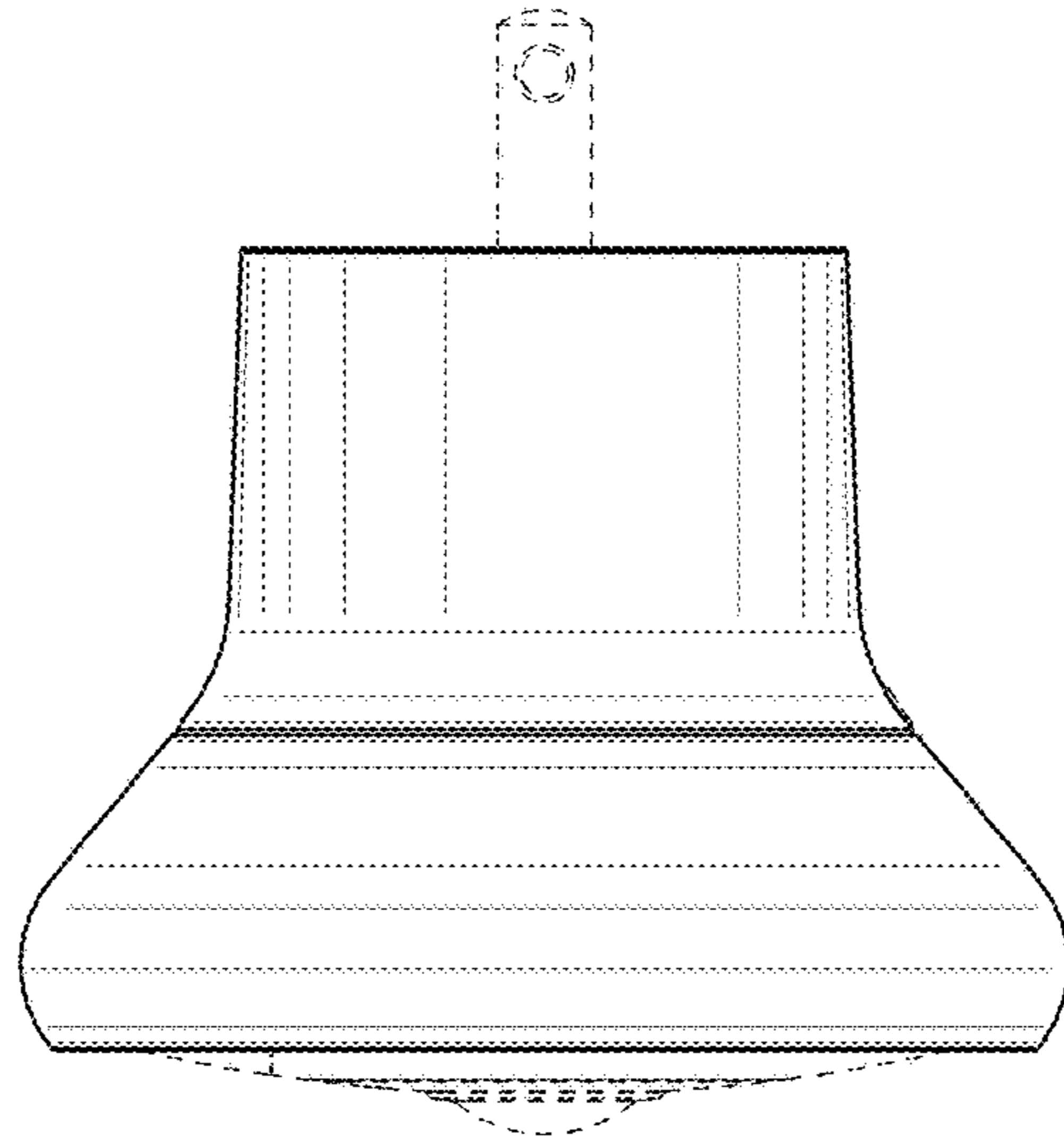


FIG. 19

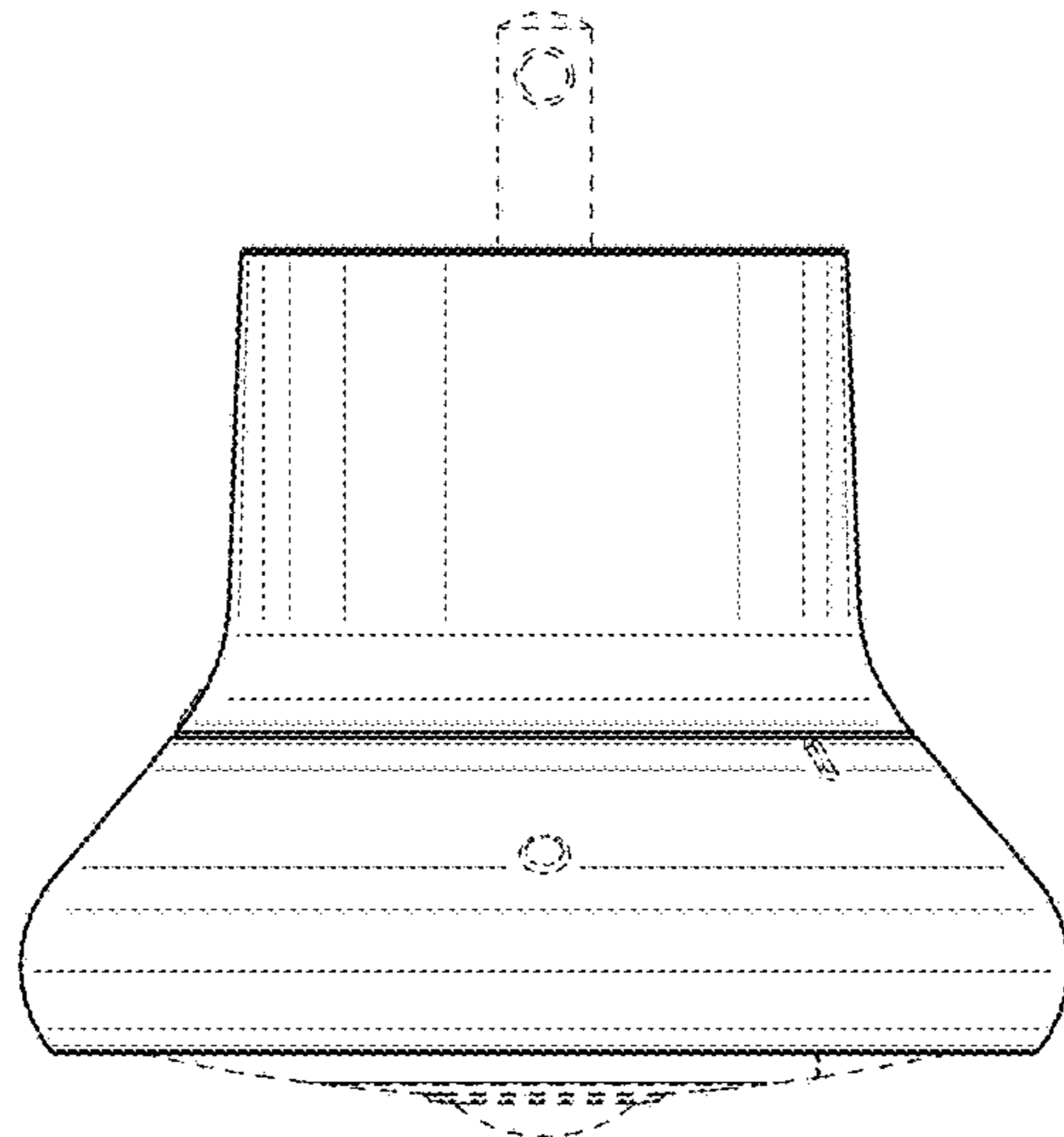


FIG. 20