



US00D840460S

(12) **United States Design Patent**
Scalisi

(10) **Patent No.:** **US D840,460 S**

(45) **Date of Patent:** **** Feb. 12, 2019**

(54) **POWER OUTLET CAMERA**

(71) Applicant: **SkyBell Technologies, Inc.**, Irvine, CA
(US)

(72) Inventor: **Joseph Frank Scalisi**, Yorba Linda, CA
(US)

(73) Assignee: **SkyBell Technologies, Inc.**, Irvine, CA
(US)

(**) Term: **15 Years**

(21) Appl. No.: **29/613,828**

(22) Filed: **Aug. 14, 2017**

(51) **LOC (11) Cl.** **16-01**

(52) **U.S. Cl.**

USPC **D16/203**; D16/202

(58) **Field of Classification Search**

USPC D16/200, 202–206, 218, 219, 242;
D10/106.2, 106.3, 106.5, 118.1; 348/143,
348/148, 151, 373–376; 396/419, 427,
396/535, 539–541

CPC G03B 17/02; G03B 19/04; G03B 17/56;
G03B 17/04; G03B 15/03; H04N 5/2251;
H04N 5/2252; H04N 5/2253; H04N
5/2254; H04N 7/181; H04N 7/183; H04N
7/18; G08B 13/1963; G08B 13/19619;
G08B 13/19632

See application file for complete search history.

(56) **References Cited**

U.S. PATENT DOCUMENTS

D179,803 S	3/1957	Gillette
D225,379 S	12/1972	Gallagher
D283,130 S	3/1986	Boenning
D297,222 S	8/1988	Rauch
5,127,244 A	7/1992	Myers
D344,036 S	2/1994	Yuen
5,345,794 A	9/1994	Jenks

D371,086 S	6/1996	Collins
D381,638 S	7/1997	Kruse
5,671,624 A	9/1997	Sivils
D392,576 S	3/1998	Pun
D392,987 S	3/1998	Sakata
D395,814 S	7/1998	Yang
D404,673 S	1/1999	Gordon
D418,770 S	1/2000	Ragan
6,016,677 A	1/2000	Clark
D422,521 S	4/2000	Morrow
D422,893 S	4/2000	Heredos-Formby
D435,576 S	12/2000	McBride

(Continued)

OTHER PUBLICATIONS

MySkyBell.com (later SkyBell.com)—Downloaded on Nov. 18,
2013 from <http://www.myskybell.com>.

(Continued)

Primary Examiner — Philip S Hyder

Assistant Examiner — Ramzi S Almatrahi

(57)

CLAIM

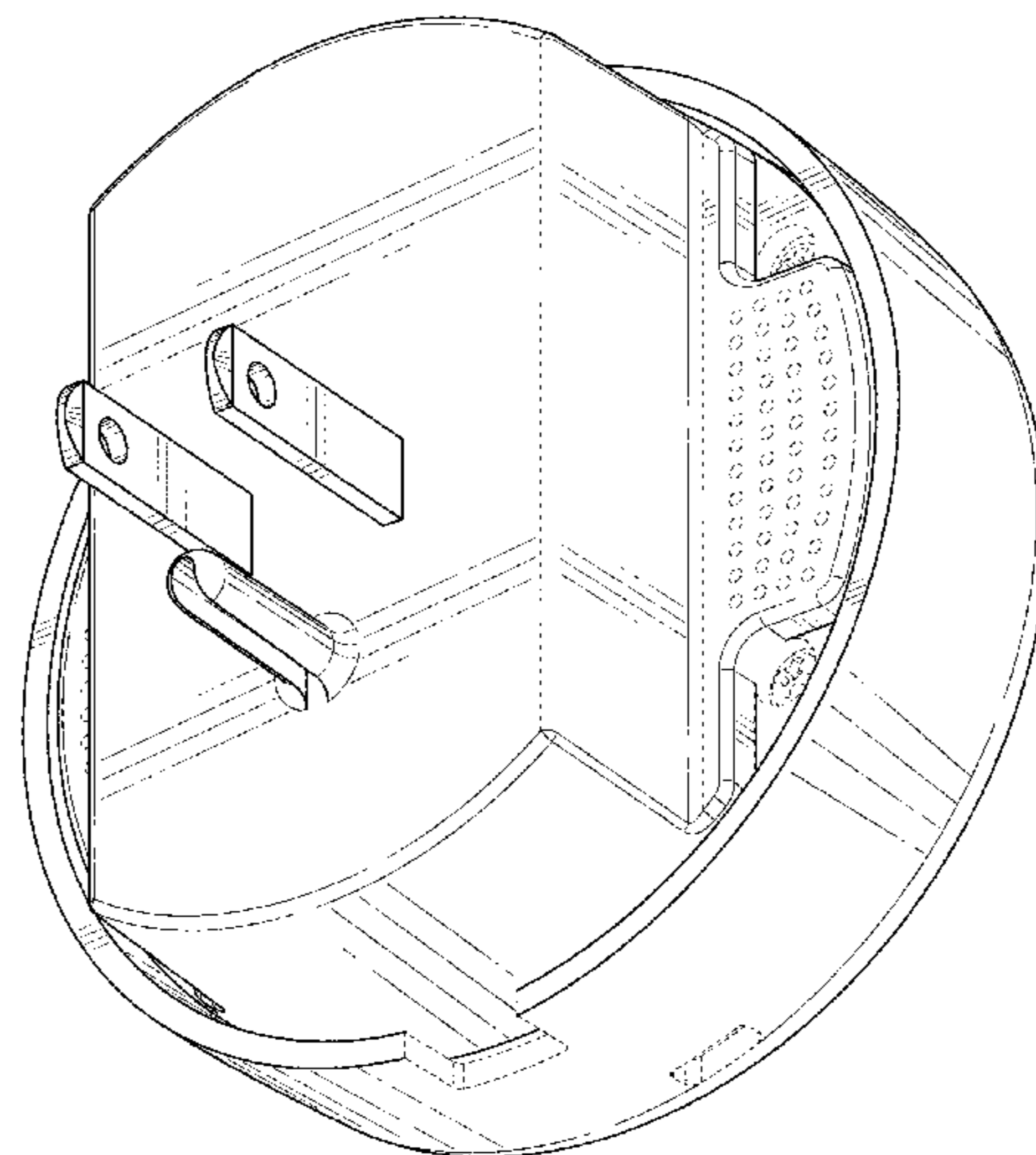
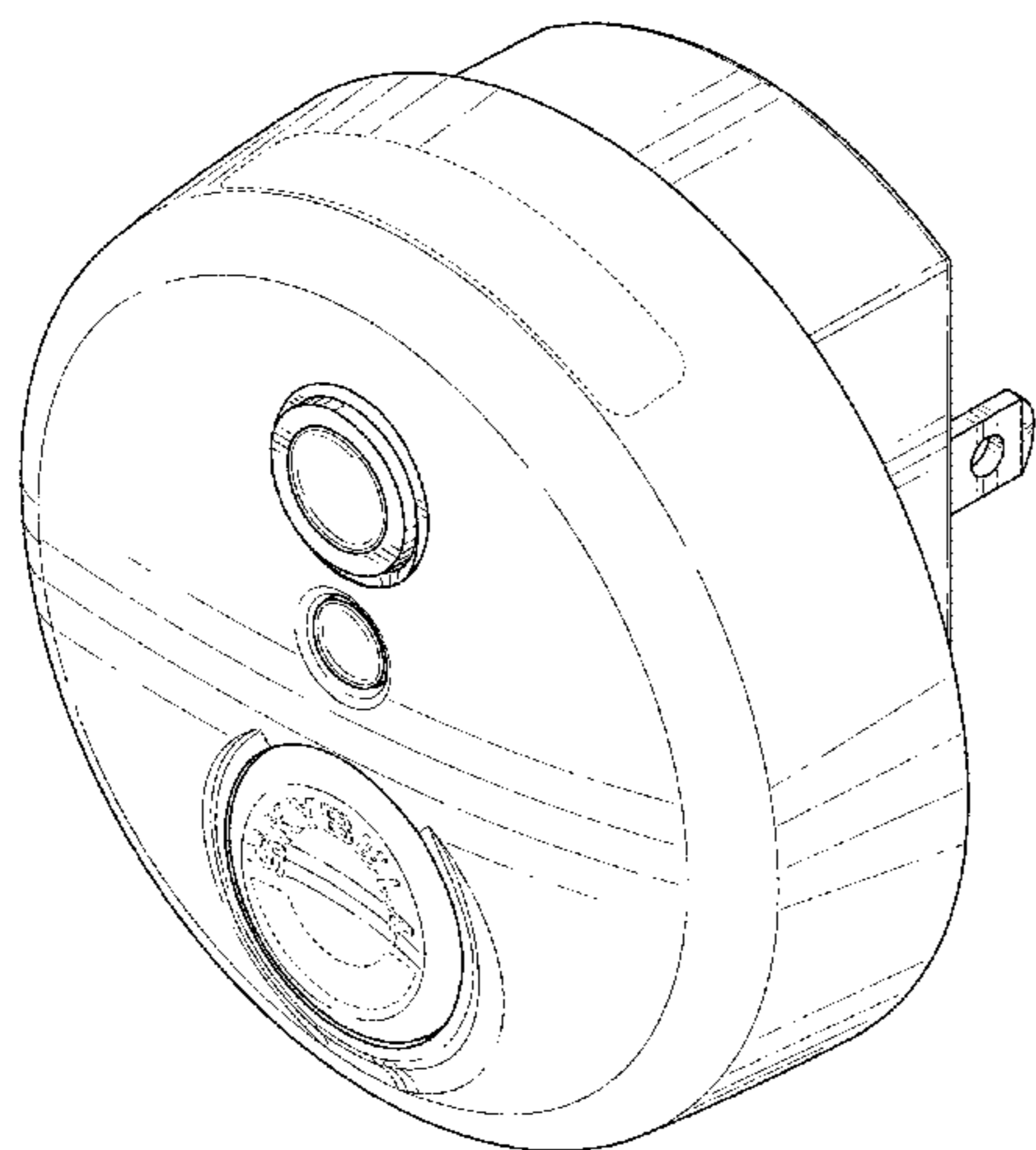
The ornamental design for a power outlet camera, as shown
and described.

DESCRIPTION

FIG. 1 is a front, side, and top perspective view of a power
outlet camera embodying the new design;
FIG. 2 is a back, side, and bottom perspective view thereof;
FIG. 3 is a front view thereof;
FIG. 4 is a back view thereof;
FIG. 5 is a first side view thereof;
FIG. 6 is a second side view thereof;
FIG. 7 is a top view thereof; and,
FIG. 8 is a bottom view thereof.

The broken lines depict portions of a power outlet camera in
which the design is embodied and form no part of the
claimed design.

1 Claim, 8 Drawing Sheets



(56)

References Cited

U.S. PATENT DOCUMENTS

D435,577 S	12/2000	McBride	D720,764 S	1/2015	Lee	
D442,617 S	5/2001	Ohmori	D721,755 S	1/2015	Åhman	
D455,767 S	4/2002	Tsang	8,937,659 B1	1/2015	Skybell	
D455,768 S	4/2002	Tsang	8,941,736 B1	1/2015	Skybell	
D465,532 S	11/2002	Hussaini	D722,318 S	2/2015	Moore	
D479,720 S	9/2003	Ohashi	D722,319 S	2/2015	Moore	
D480,741 S	10/2003	Berger	D722,611 S	2/2015	Moore	
D487,939 S	3/2004	Smith	D722,709 S	2/2015	Bosua	
D489,323 S	5/2004	Yoshida	8,947,530 B1	2/2015	Skybell	
D494,287 S	8/2004	Matsui	8,953,040 B1	2/2015	Skybell	
6,812,970 B1	11/2004	McBride	D725,670 S	3/2015	Zhang	
D500,751 S	1/2005	Yukikado	D727,769 S	4/2015	Skybell	
D509,842 S	9/2005	Ou	D727,989 S	4/2015	Hasuda	
7,015,943 B2	3/2006	Chiang	9,013,575 B2	4/2015	Skybell	
D519,100 S	4/2006	Shioya	D728,601 S	5/2015	Angelides	
D522,490 S	6/2006	Yukikado	D728,655 S	5/2015	Daniel	
D525,963 S	8/2006	Yukikado	D729,678 S	5/2015	Skybell	
7,113,578 B2	9/2006	Unger	D729,859 S	5/2015	Shin	
D531,160 S	10/2006	Yukikado	D730,422 S *	5/2015	Kim	D16/218
D534,566 S	1/2007	Ishii	D732,547 S	6/2015	McClelland	
D537,095 S	2/2007	Alden	9,049,352 B2	6/2015	Skybell	
D562,306 S	2/2008	Jeong	9,055,202 B1	6/2015	Skybell	
D574,742 S	8/2008	Spencer	9,058,738 B1	6/2015	Skybell	
D575,316 S	8/2008	Liu	9,060,103 B2	6/2015	Skybell	
D577,301 S	9/2008	Johnson	9,060,104 B2	6/2015	Skybell	
D588,574 S	3/2009	Takahata	9,065,987 B2	6/2015	Skybell	
D592,231 S	5/2009	Schnell	D733,780 S	7/2015	Chen	
D594,311 S	6/2009	Stevens	D734,801 S	7/2015	Yang	
D595,260 S	6/2009	Takahata	9,094,584 B2	7/2015	Skybell	
D605,542 S	12/2009	Ho	D736,294 S	8/2015	Skybell	
D619,157 S	7/2010	Kim	D737,283 S	8/2015	Skybell	
D627,671 S *	11/2010	Gonzales	9,113,051 B1	8/2015	Skybell	
D633,921 S	3/2011	Brinda	9,113,052 B1	8/2015	Skybell	
D634,181 S	3/2011	Kang	9,118,819 B1	8/2015	Skybell	
D636,286 S	4/2011	Khor	9,142,214 B2	9/2015	Skybell	
D638,853 S	5/2011	Brinda	9,143,343 B2	9/2015	Kim	
D645,071 S	9/2011	Hinkel	D740,873 S	10/2015	Skybell	
D646,801 S	10/2011	Chou	D741,866 S	10/2015	Ballout	
D647,946 S	11/2011	Raken	9,160,987 B1	10/2015	Skybell	
D657,410 S	4/2012	Helaoui	9,165,444 B2	10/2015	Skybell	
D660,819 S	5/2012	Chen	9,172,920 B1	10/2015	Kskybell	
D664,178 S	7/2012	Hinkel	9,172,921 B1	10/2015	Skybell	
D664,554 S	7/2012	Nenoki	9,172,922 B1	10/2015	Skybell	
D666,995 S	9/2012	Termeer	D743,415 S	11/2015	Pfriem	
8,334,656 B2	12/2012	Weiss	9,179,107 B1	11/2015	Skybell	
D677,297 S	3/2013	Bart	9,179,108 B1	11/2015	Skybell	
D679,309 S	4/2013	Park	9,179,109 B1	11/2015	Skybell	
D682,658 S	5/2013	Cramer	9,196,133 B2	11/2015	Skybell	
D687,446 S	8/2013	Arnold	9,197,867 B1	11/2015	Skybell	
D687,841 S	8/2013	Arnold	D745,050 S	12/2015	Kwon	
D689,220 S	9/2013	Zhang	D745,080 S	12/2015	Masano	
D689,536 S	9/2013	Li	D745,546 S	12/2015	Johnson	
D692,847 S	11/2013	Barley	D747,640 S	1/2016	Scalisi	
D693,839 S	11/2013	Hally	D748,178 S *	1/2016	Scalisi	D10/118.2
D694,305 S	11/2013	Katori	D748,180 S *	1/2016	Scalisi	D16/203
D694,306 S	11/2013	Katori	9,237,318 B2	1/2016	Kasmir	
D701,521 S	3/2014	Kim	9,243,455 B2	1/2016	Harrison	
D705,246 S	5/2014	Ranz	9,247,219 B2	1/2016	Kasmir	
D705,794 S	5/2014	Ranz	D748,709 S *	2/2016	Jeong	D16/202
D707,697 S	6/2014	Ranz	D750,112 S	2/2016	Kim	
D709,754 S	7/2014	Lylyk	D751,446 S	3/2016	Lin	
8,780,201 B1	7/2014	Skybell	D752,076 S	3/2016	Guesnon, Jr.	
D710,377 S	8/2014	Rydenhag	D752,674 S *	3/2016	Katori	D16/203
D710,676 S	8/2014	Kiechel	D753,664 S	4/2016	McLelland	
D710,727 S	8/2014	Siminoff	9,342,936 B2	5/2016	Scalisi	
D710,728 S	8/2014	Siminoff	D764,958 S	8/2016	Scalisi	
D711,275 S	8/2014	Skybell	D765,530 S	9/2016	Scalisi	
D711,903 S	8/2014	Mishra	D776,180 S *	1/2017	Fiedler	D16/202
8,823,795 B1	9/2014	Skybell	D778,195 S	2/2017	Li	
8,834,044 B2	9/2014	Uehara	9,584,775 B2	2/2017	Siminoff	
8,842,180 B1	9/2014	Skybell	D795,937 S *	8/2017	Chang	D16/202
8,872,915 B1	10/2014	Skybell	D800,816 S *	10/2017	Fujita	D16/202
D719,205 S	12/2014	Matsumoto	D803,923 S *	11/2017	Tudosoiu	D16/203
D719,994 S	12/2014	Wang	2004/0124978 A1	7/2004	Chen	
D720,363 S	12/2014	Ranz	2007/0067798 A1	3/2007	Wroblewski	
			2008/0036862 A1	2/2008	Lang	
			2011/0156566 A1	6/2011	Chen	
			2013/0045763 A1	2/2013	Ruiz	
			2014/0125754 A1	5/2014	Haywood	

(56)

References Cited

U.S. PATENT DOCUMENTS

2014/0157329 A1 6/2014 Roberts
2014/0301729 A1* 10/2014 Okamura H04N 5/2252
396/427
2015/0022618 A1 1/2015 Siminoff
2015/0049191 A1 2/2015 Skybell
2015/0082172 A1 3/2015 Shakib
2015/0319411 A1 11/2015 Kasmir
2015/0341603 A1 11/2015 Kasmir
2015/0358515 A1 12/2015 Resnick
2016/0044287 A1 2/2016 Scalisi
2016/0070432 A1 3/2016 Caporal

OTHER PUBLICATIONS

DefenDoor by Glate LLC—Downloaded on Dec. 11, 2014 from
<https://www.kickstarter.com/projects/85455040/defendoor-a-home-security-system-that-syncs-with-y>.

EyeTalk—Downloaded on May 24, 2013 from <http://www.revolutionaryconceptsinc.com/forhome.html>.

August Smart Lock—Downloaded on Oct. 10, 2014 from www.august.com.

* cited by examiner

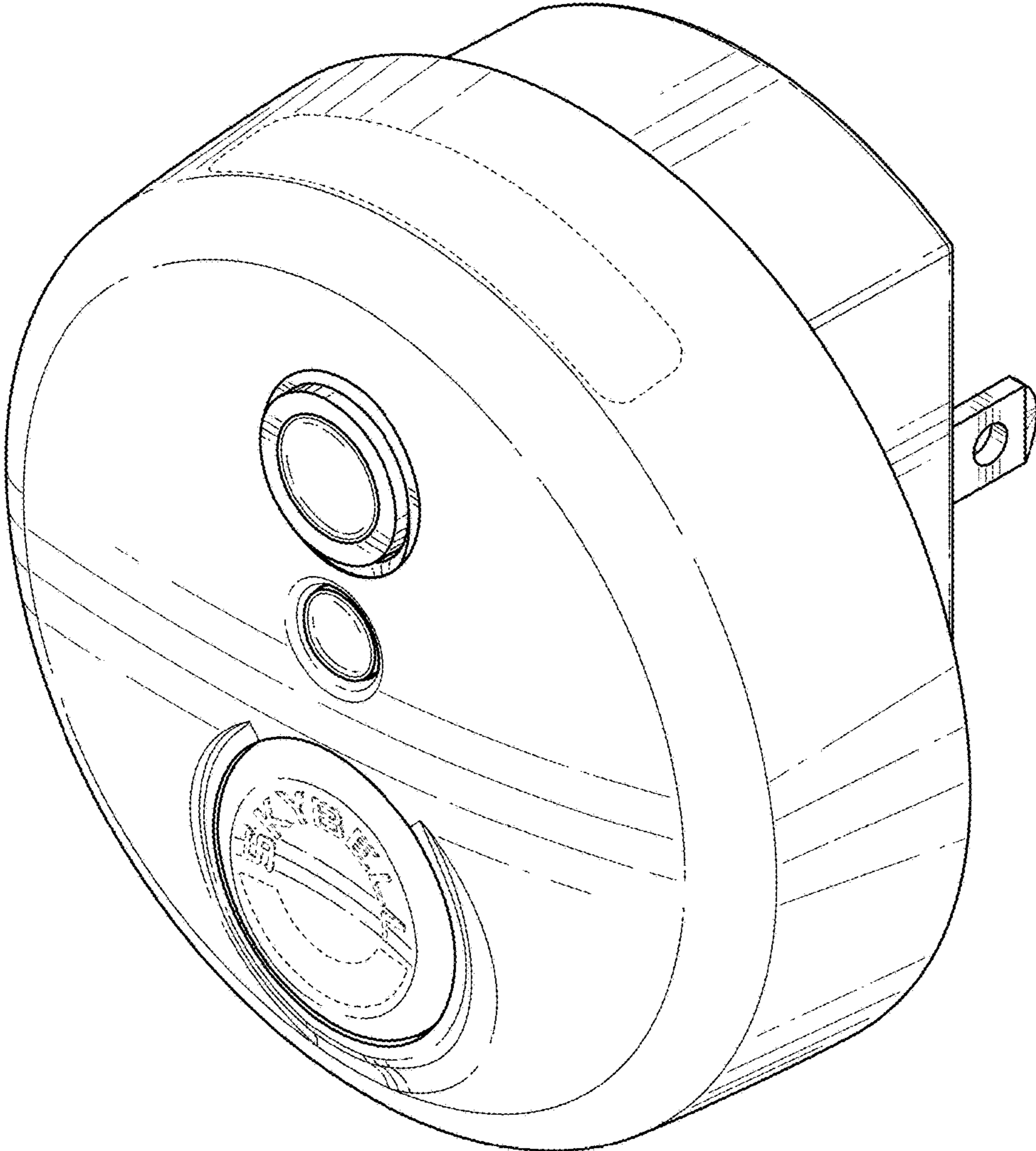


FIG. 1

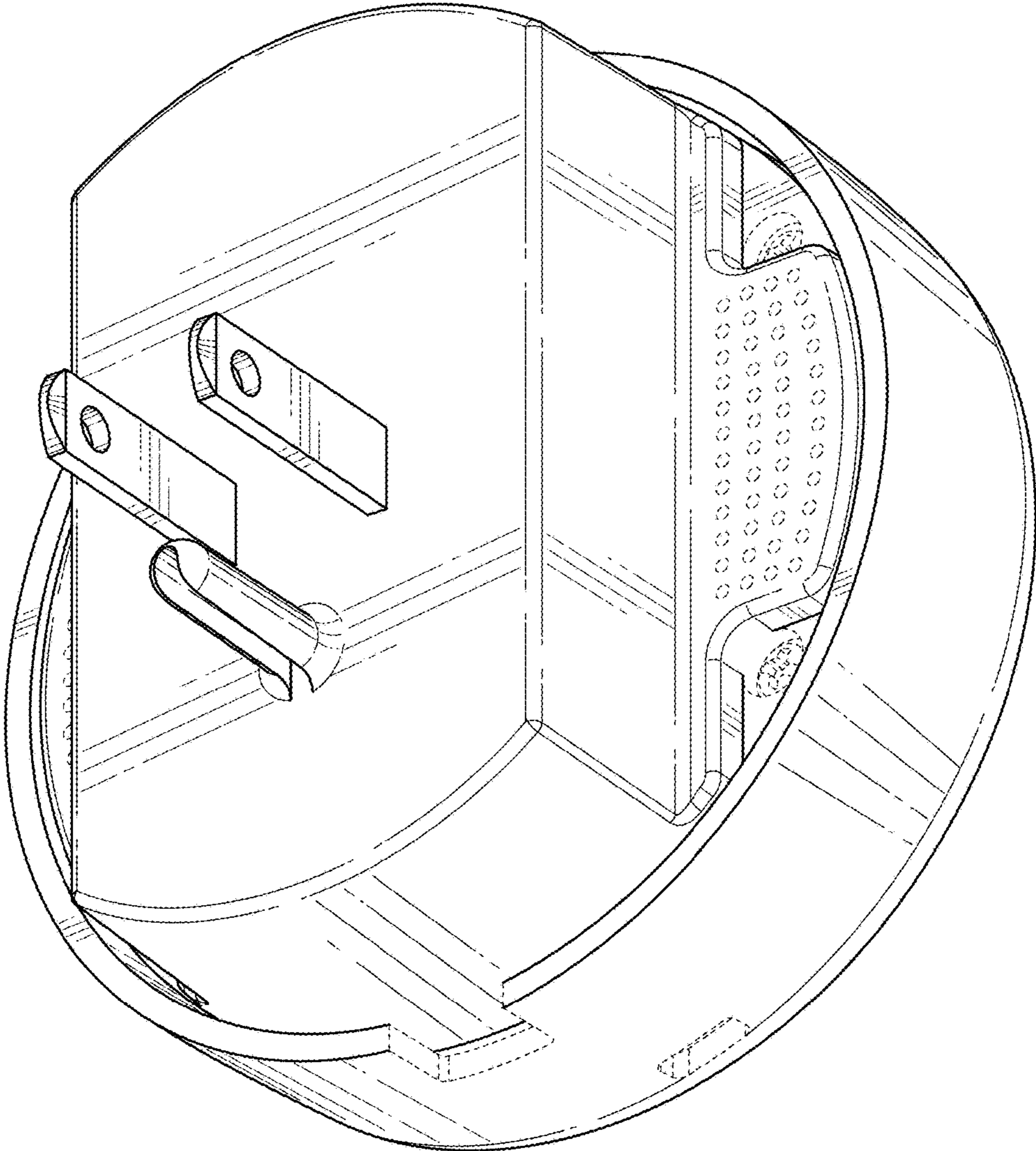


FIG. 2

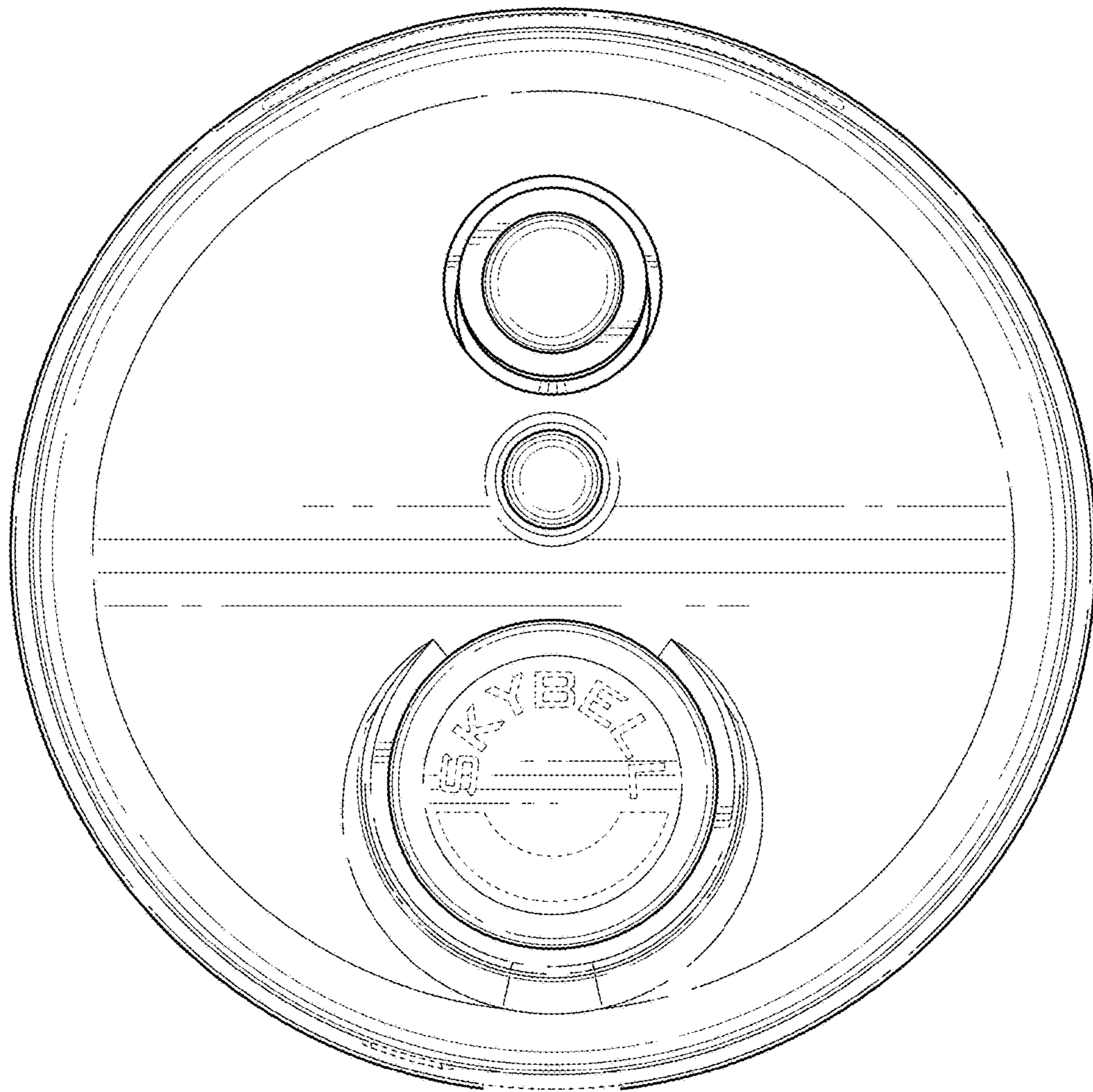


FIG. 3

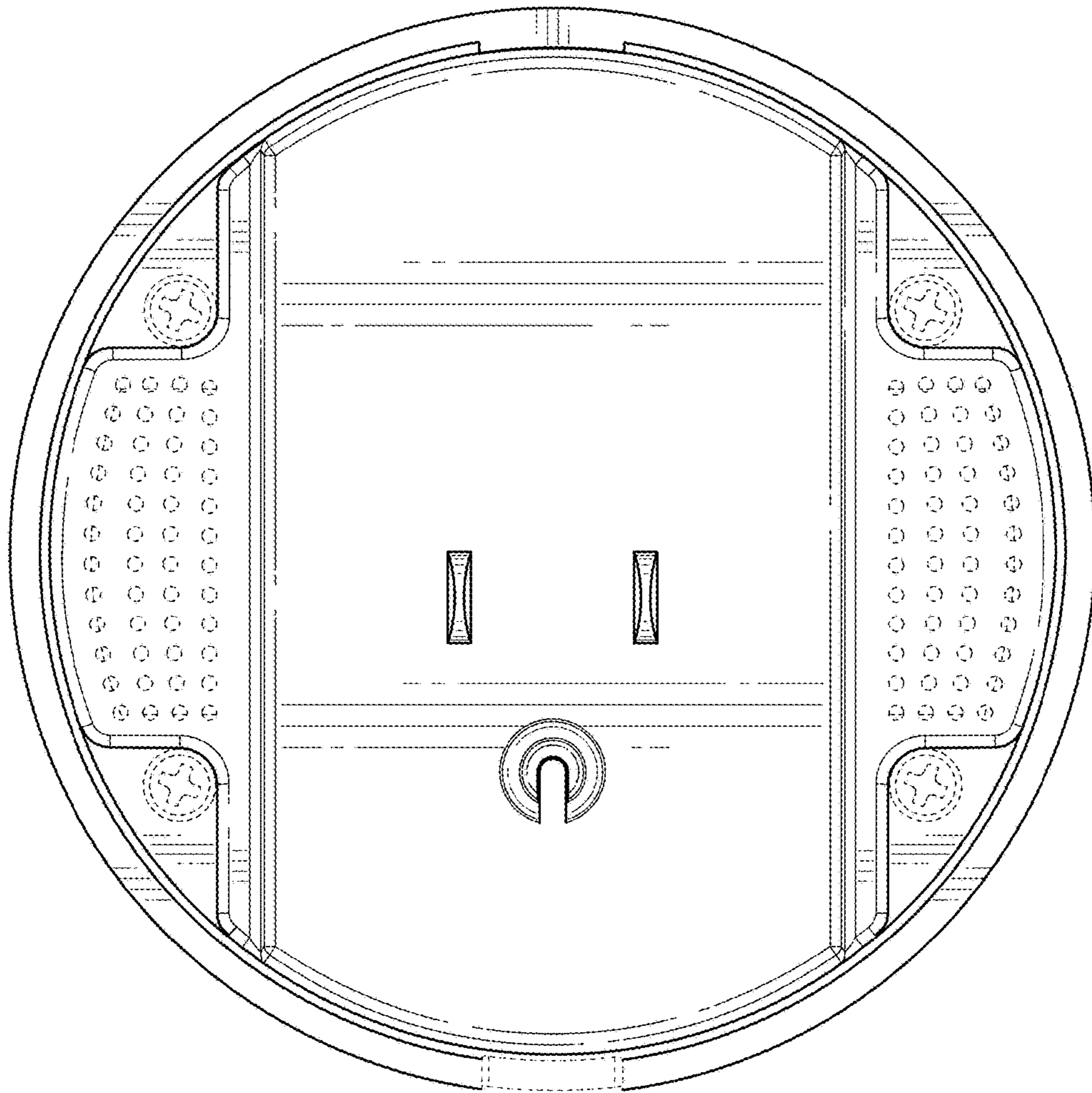


FIG. 4

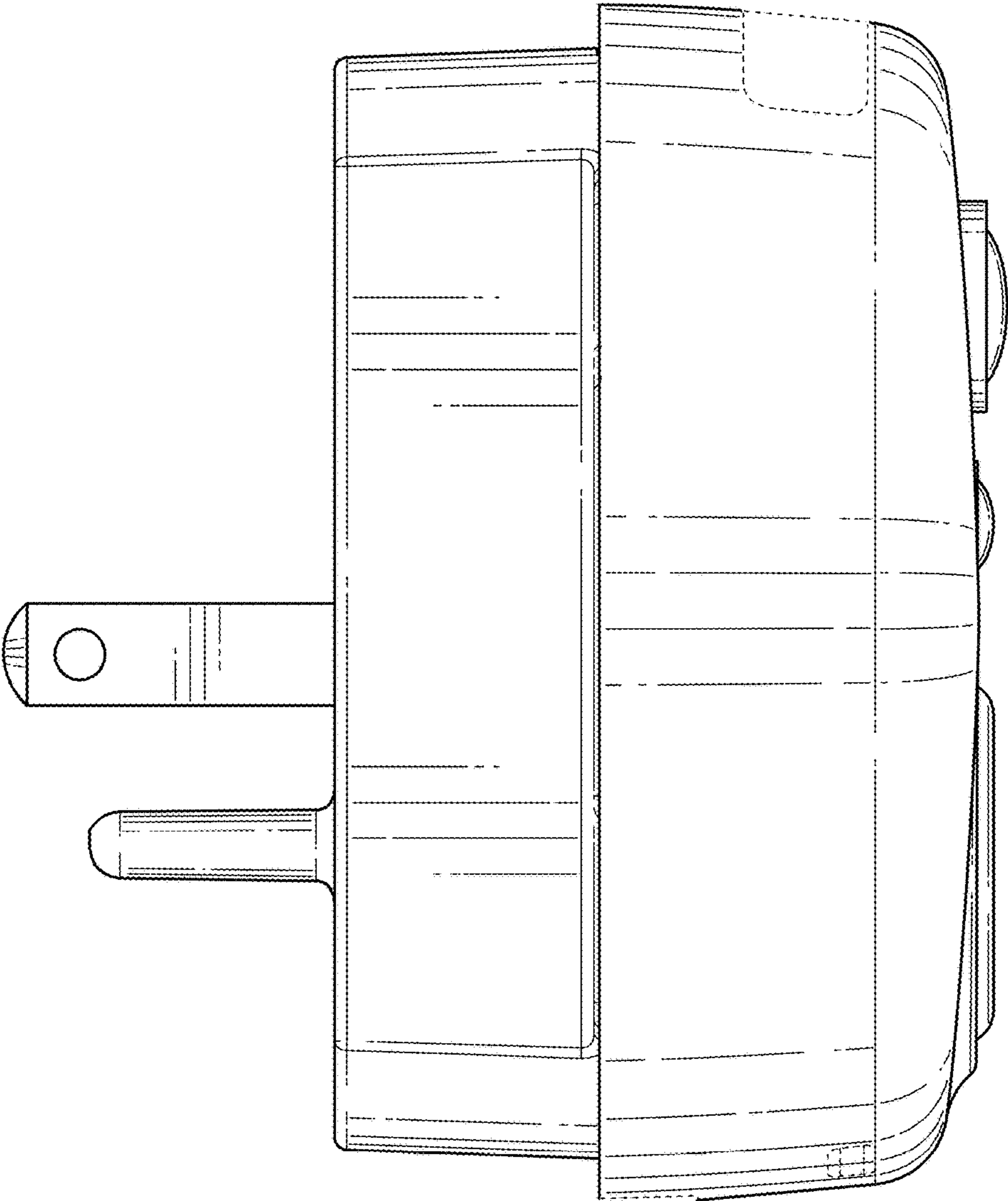


FIG. 5

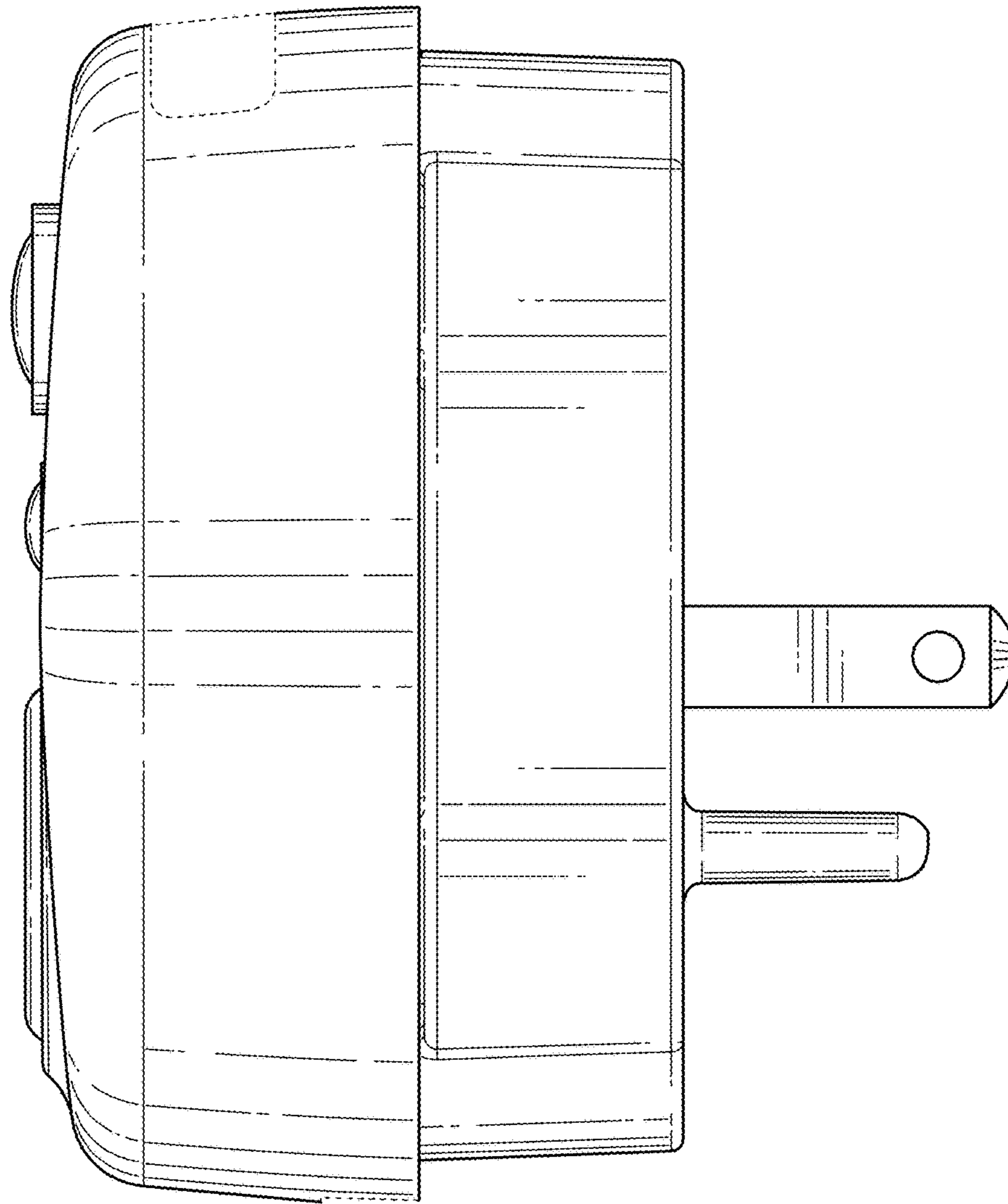


FIG. 6

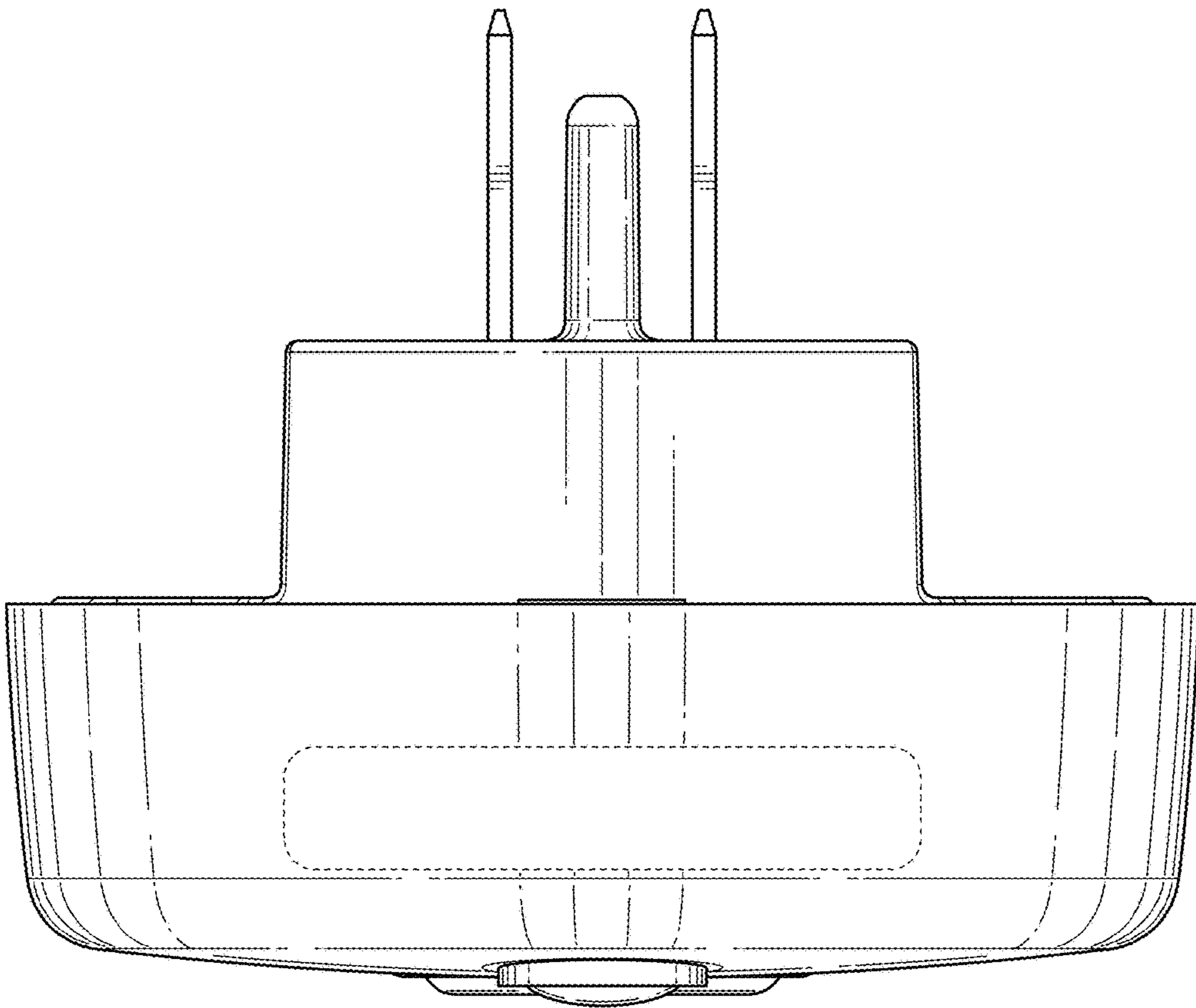


FIG. 7

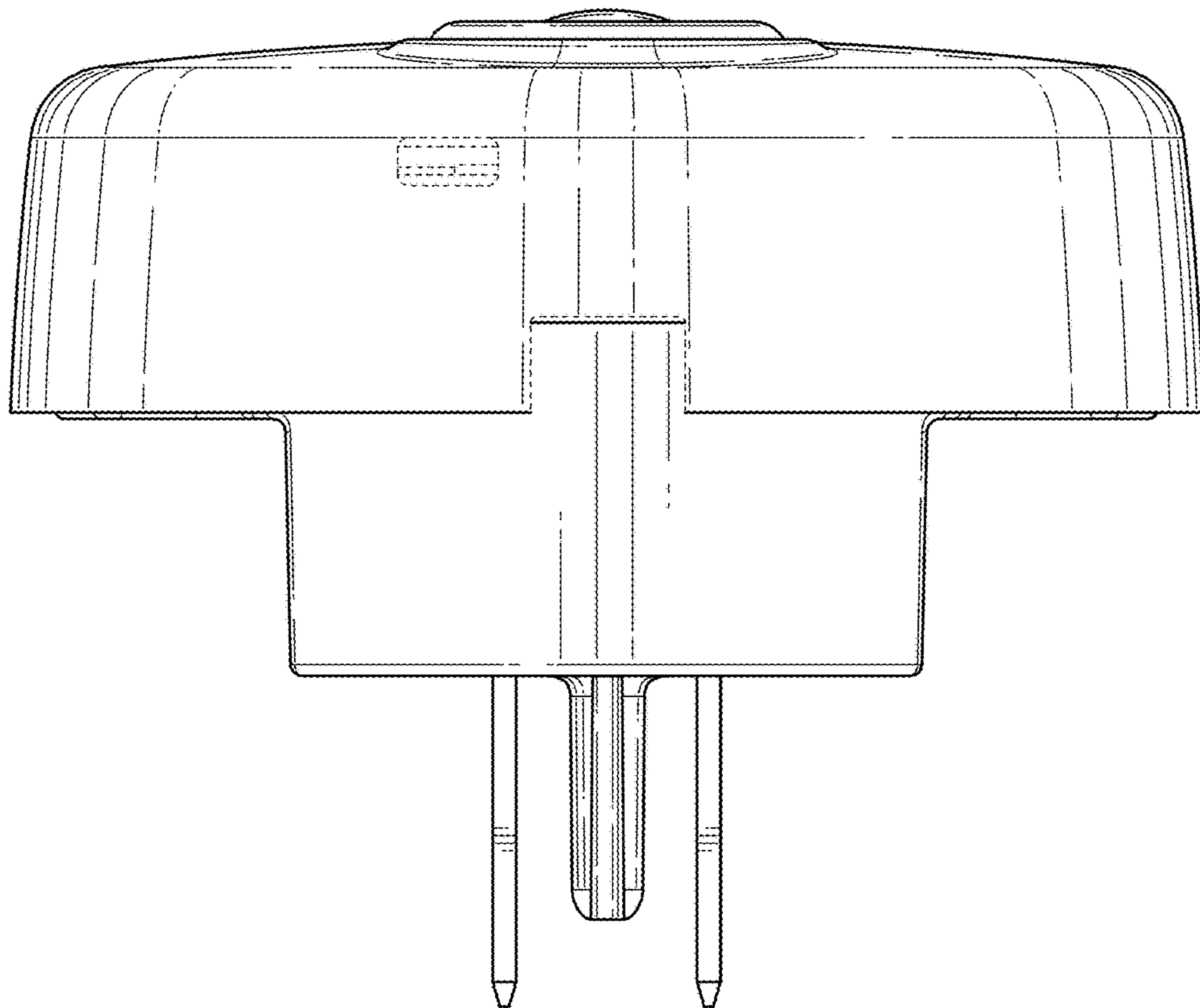


FIG. 8