



US00D840459S

(12) **United States Design Patent**  
**Petty et al.**

(10) **Patent No.:** **US D840,459 S**

(45) **Date of Patent:** **\*\* Feb. 12, 2019**

(54) **CAMERA**

(71) Applicant: **Blackmagic Design Pty Ltd**, Port Melbourne, Victoria (AU)

(72) Inventors: **Grant Petty**, Victoria (AU); **Simon Kidd**, Victoria (AU); **Stuart Elford**, Victoria (AU); **Michael Cornish**, Victoria (AU); **Ryan Harper**, Victoria (AU)

(73) Assignee: **Blackmagic Design Pty Ltd** (AU)

(\*\*) Term: **15 Years**

(21) Appl. No.: **29/541,845**

(22) Filed: **Oct. 8, 2015**

(30) **Foreign Application Priority Data**

Apr. 8, 2015 (EM) ..... 002677369-0001  
Apr. 8, 2015 (EM) ..... 002677369-0002  
Apr. 8, 2015 (EM) ..... 002677369-0003  
Apr. 8, 2015 (EM) ..... 002677369-0004

(51) **LOC (11) Cl.** ..... **16-01**

(52) **U.S. Cl.**  
USPC ..... **D16/202**

(58) **Field of Classification Search**  
USPC ..... D16/200, 202–206, 208, 218, 219, 242;  
348/373–376; 396/529–532, 535,  
396/539–541  
CPC ..... G03B 17/02; G03B 19/04; G03B 17/56;  
G03B 17/04; G03B 15/03; G03B 17/14;  
H04N 5/2251; H04N 5/2252; H04N  
5/2253; H04N 5/2254; G02B 7/02; G02B  
7/04; G02B 7/14  
See application file for complete search history.

(56) **References Cited**

**U.S. PATENT DOCUMENTS**

6,637,952 B2 \* 10/2003 Arbuckle ..... G03B 17/02  
348/143  
D563,450 S \* 3/2008 Cheng ..... D16/200

D629,435 S \* 12/2010 Barley ..... D16/202  
D687,875 S \* 8/2013 Sasaki ..... D16/202  
D694,797 S \* 12/2013 Parker ..... D16/202  
D705,843 S \* 5/2014 Kawai ..... D16/202  
D727,390 S \* 4/2015 Schmidt ..... D16/218  
D733,784 S \* 7/2015 Yamashita ..... D16/218  
D739,888 S \* 9/2015 Liang ..... D16/203  
D741,388 S \* 10/2015 Register ..... D16/202

(Continued)

*Primary Examiner* — Philip S Hyder

*Assistant Examiner* — Ramzi S Almatrahi

(74) *Attorney, Agent, or Firm* — Saidman DesignLaw Group, LLC

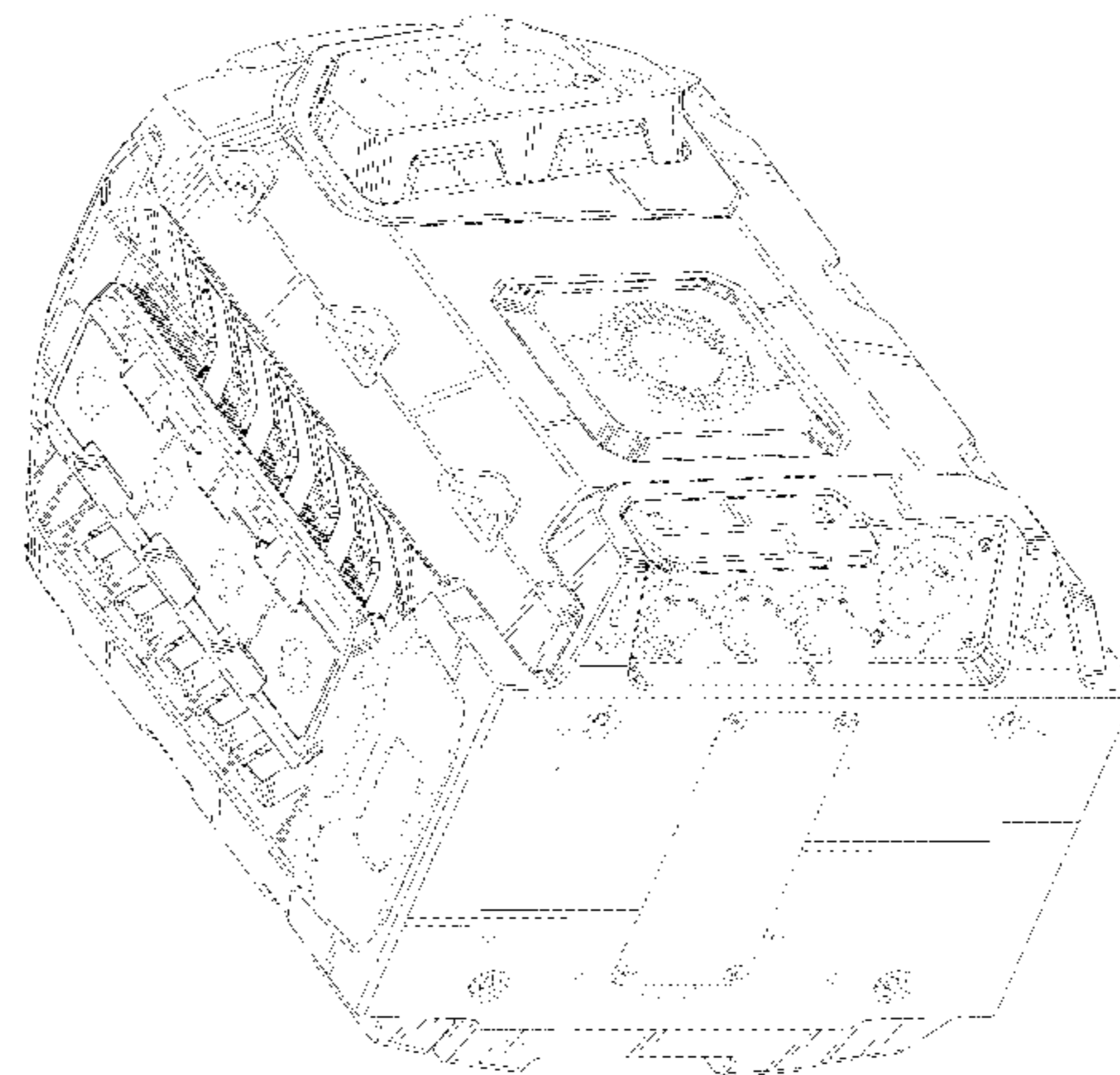
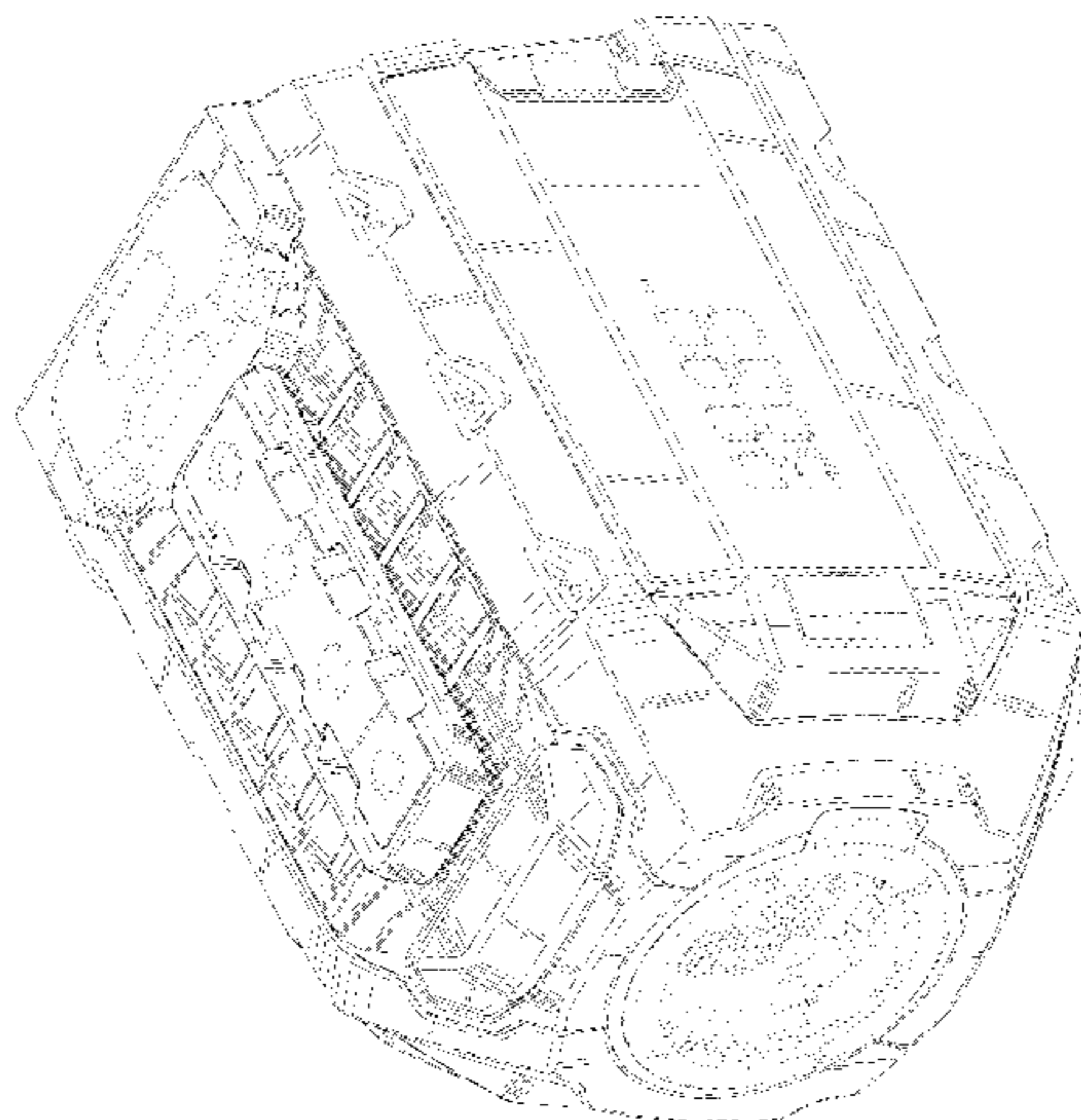
(57) **CLAIM**

The ornamental design for a camera, as shown and described.

**DESCRIPTION**

FIG. 1 is a front perspective view of a camera showing our new design;  
FIG. 2 is a top view thereof;  
FIG. 3 is a front view thereof;  
FIG. 4 is a rear view thereof;  
FIG. 5 is a right side view thereof;  
FIG. 6 is a left side view thereof;  
FIG. 7 is a bottom view thereof; and  
FIG. 8 is a front perspective view of a camera according to an alternate embodiment;  
FIG. 9 is a top view thereof;  
FIG. 10 is a front view thereof;  
FIG. 11 is a rear view thereof;  
FIG. 12 is a right side view thereof;  
FIG. 13 is a left side view thereof; and,  
FIG. 14 is a bottom view thereof.  
The broken lines illustrate portions of the “camera” and form no part of the claimed design.

**1 Claim, 14 Drawing Sheets**



(56)

**References Cited**

U.S. PATENT DOCUMENTS

D744,022 S \* 11/2015 Petty ..... D16/202  
D768,749 S \* 10/2016 Koppetz ..... D16/202  
D769,955 S \* 10/2016 Faehrmann ..... D16/202

\* cited by examiner

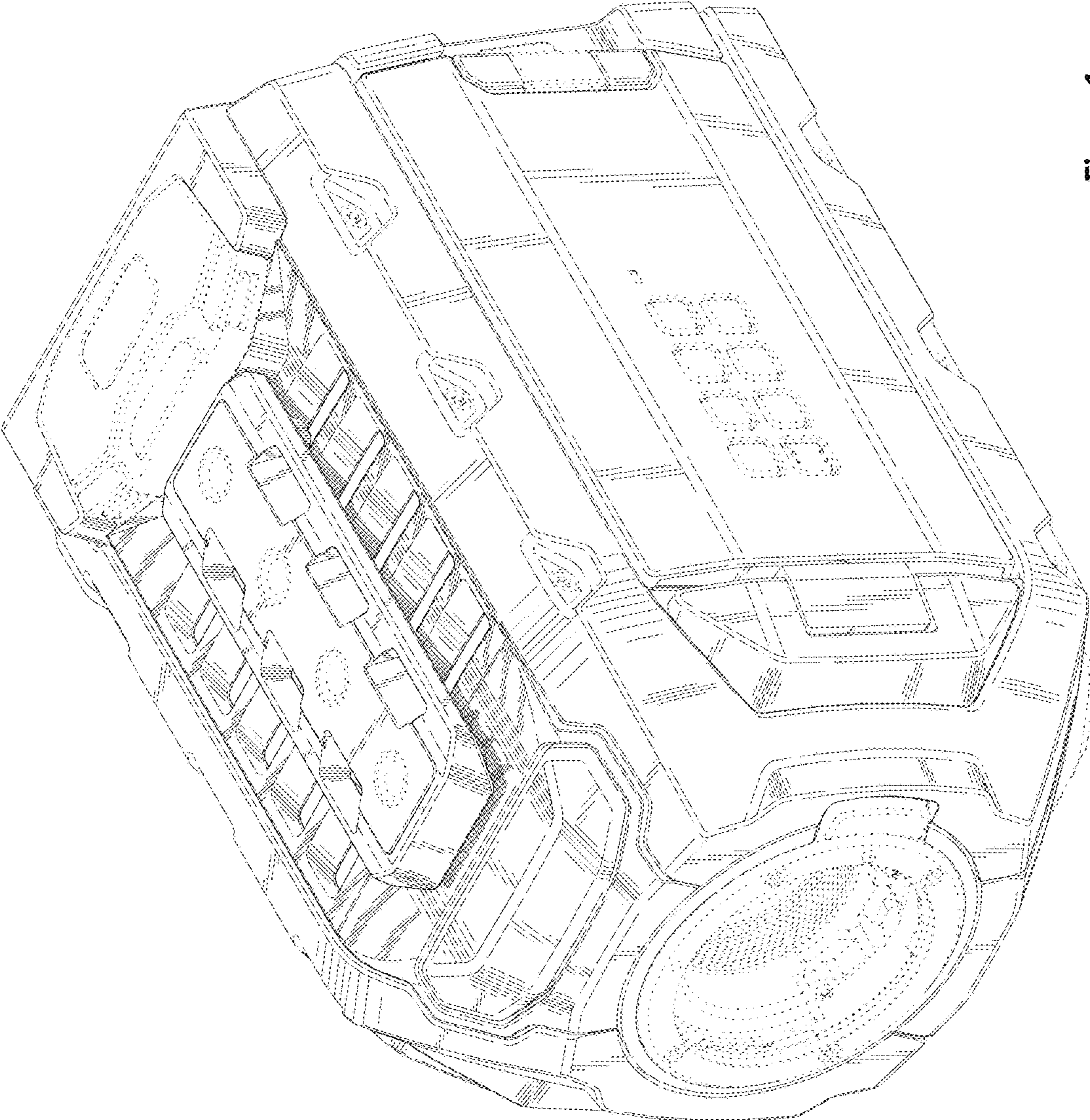


Figure 1

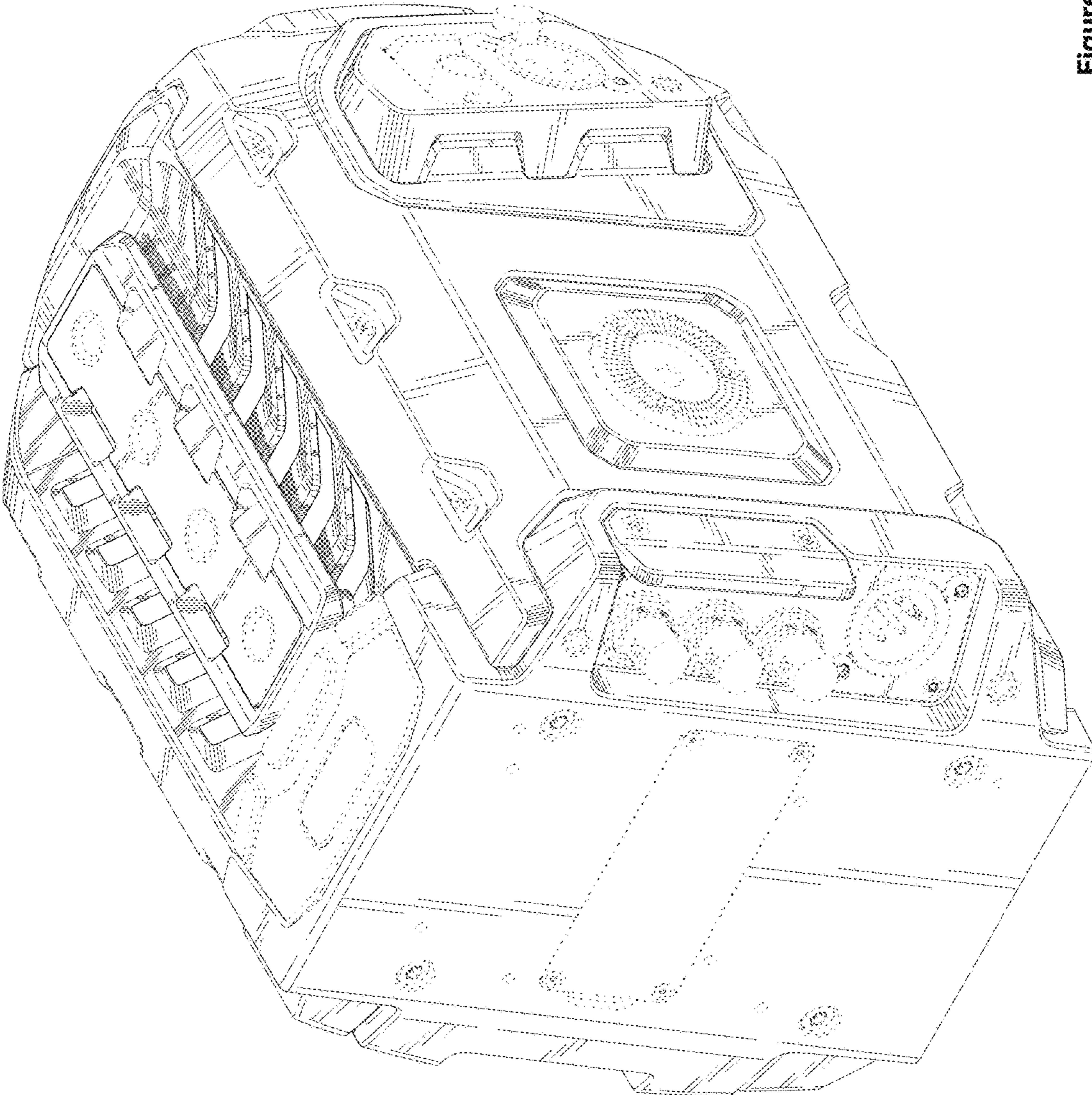


Figure 2

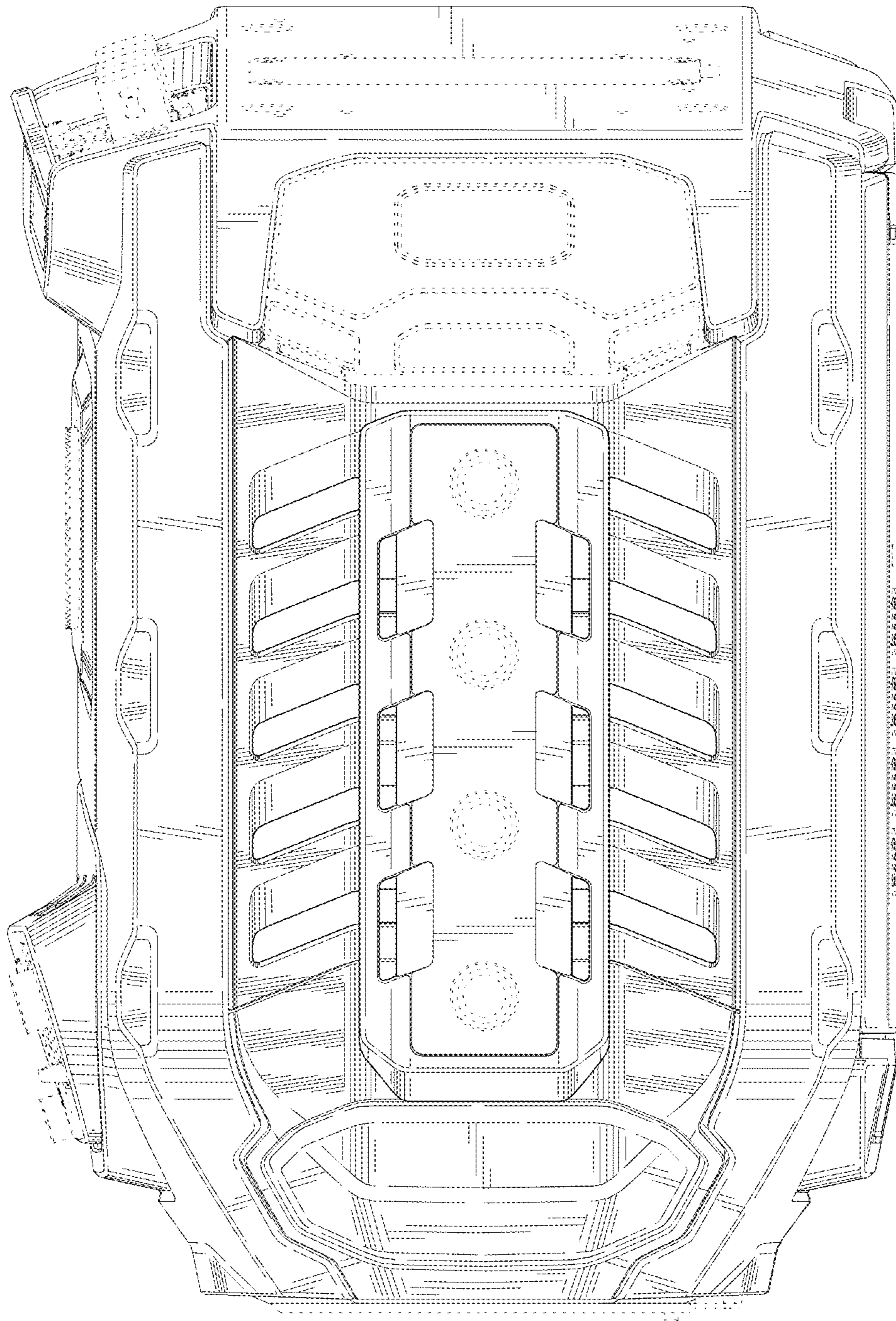


Figure 3

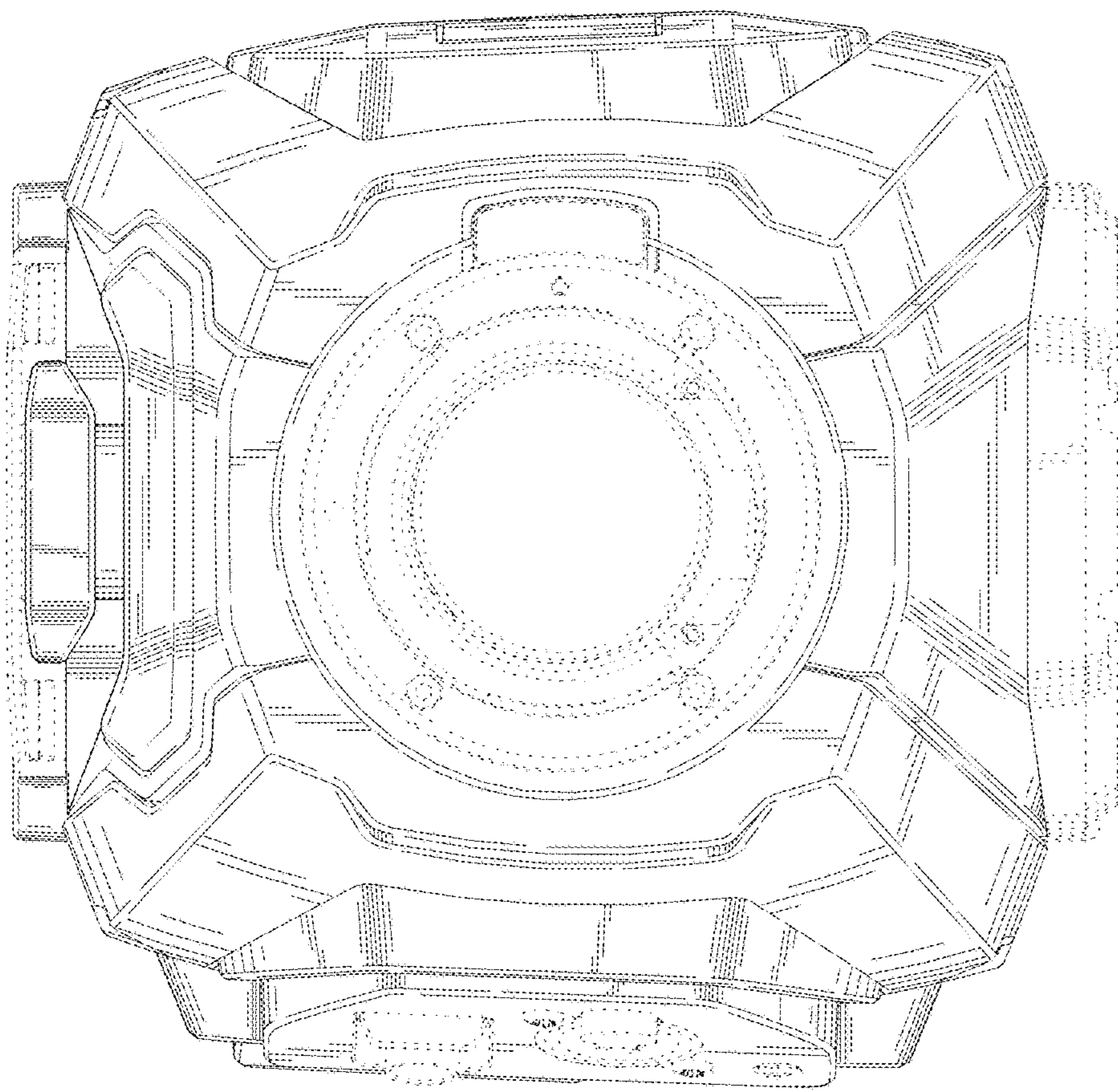


Figure 4

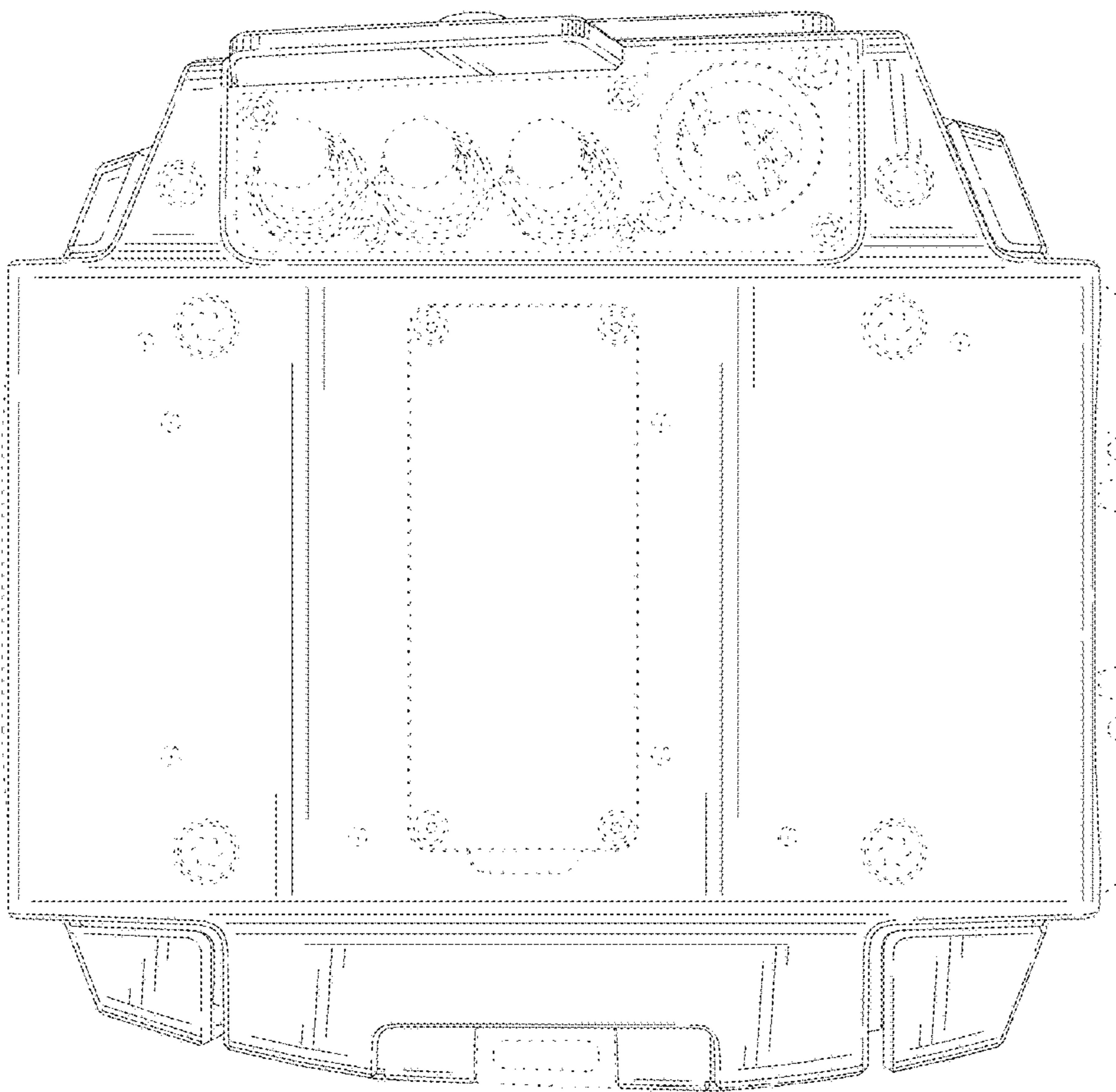


Figure 5

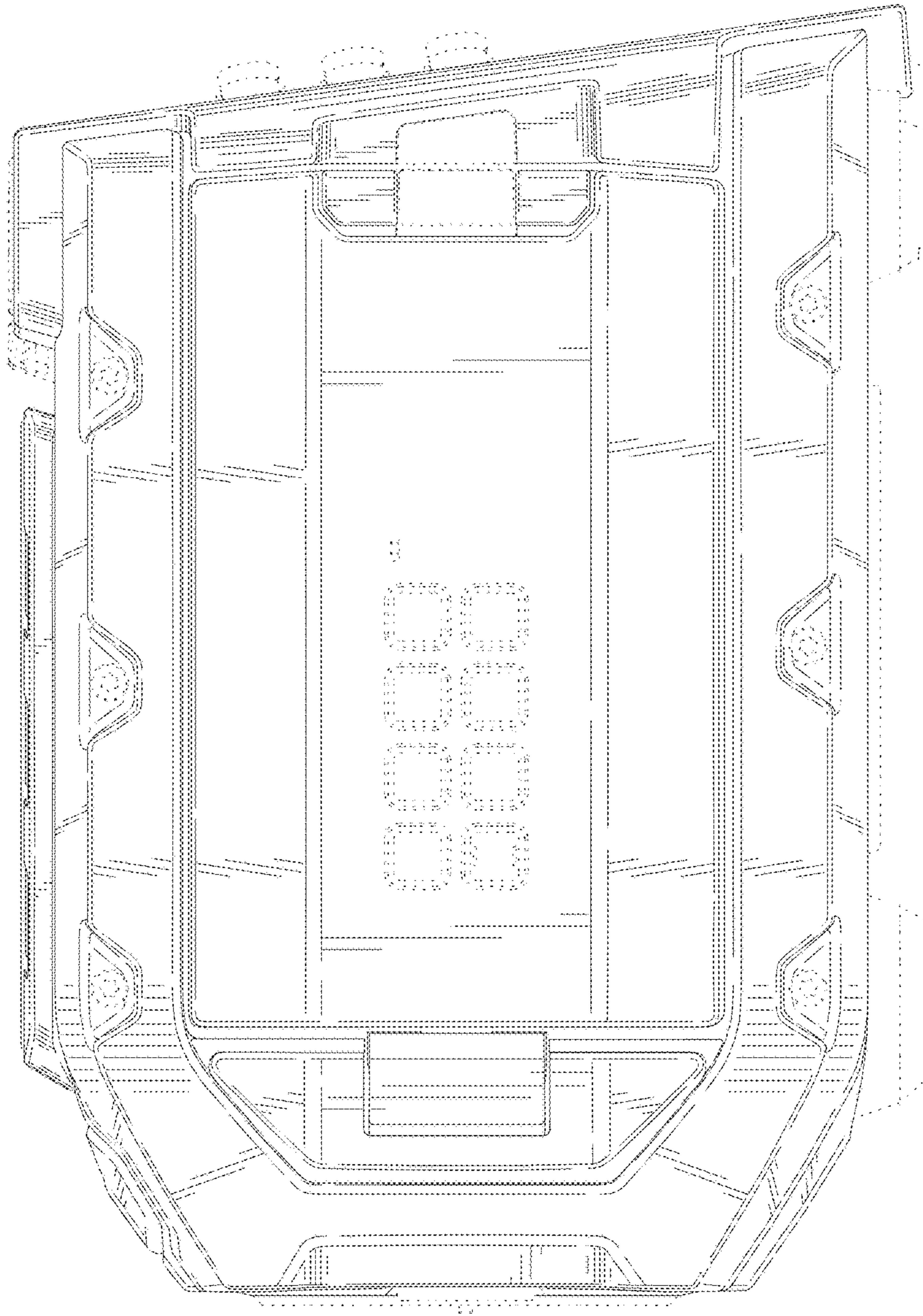


Figure 6



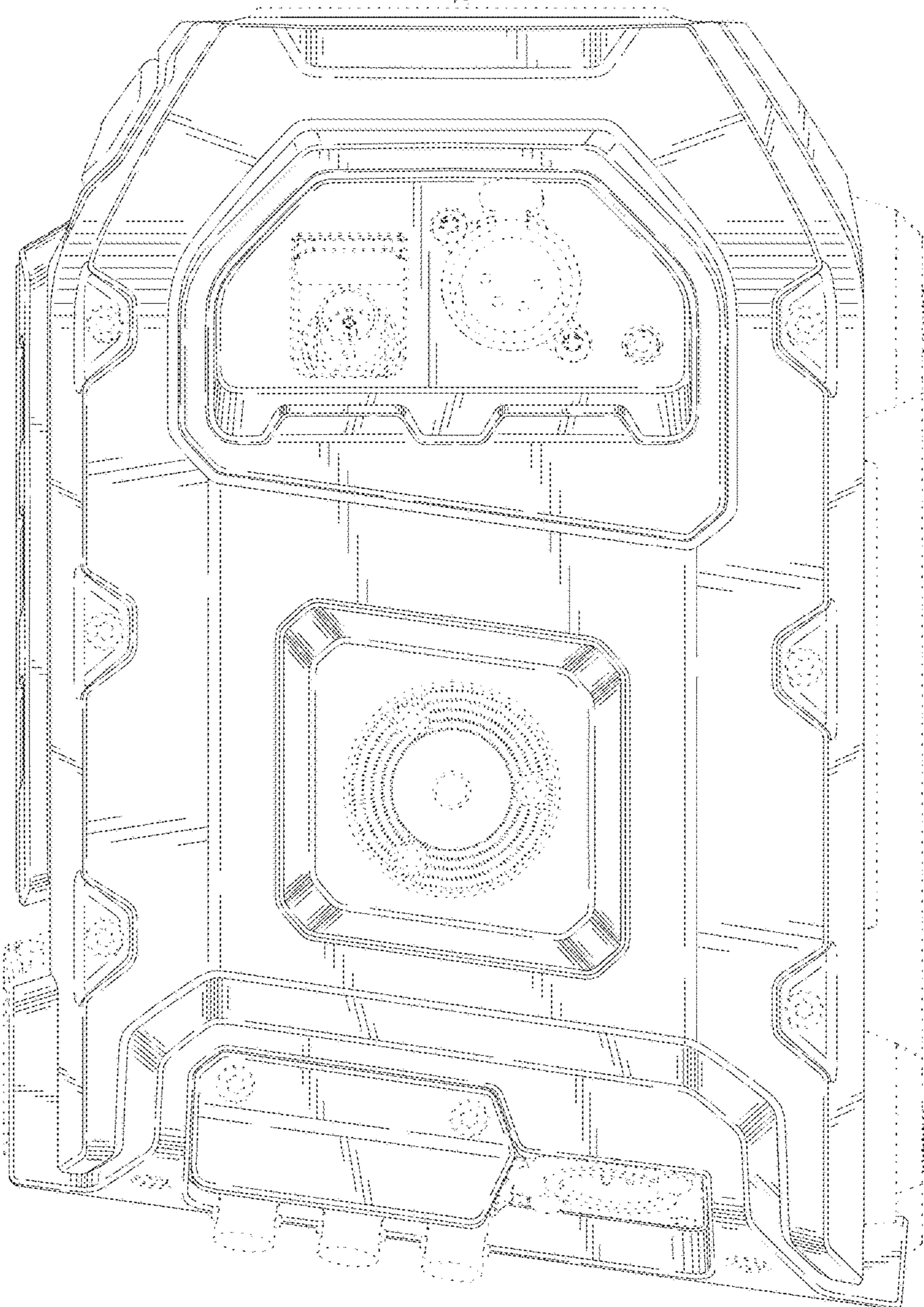


Figure 7

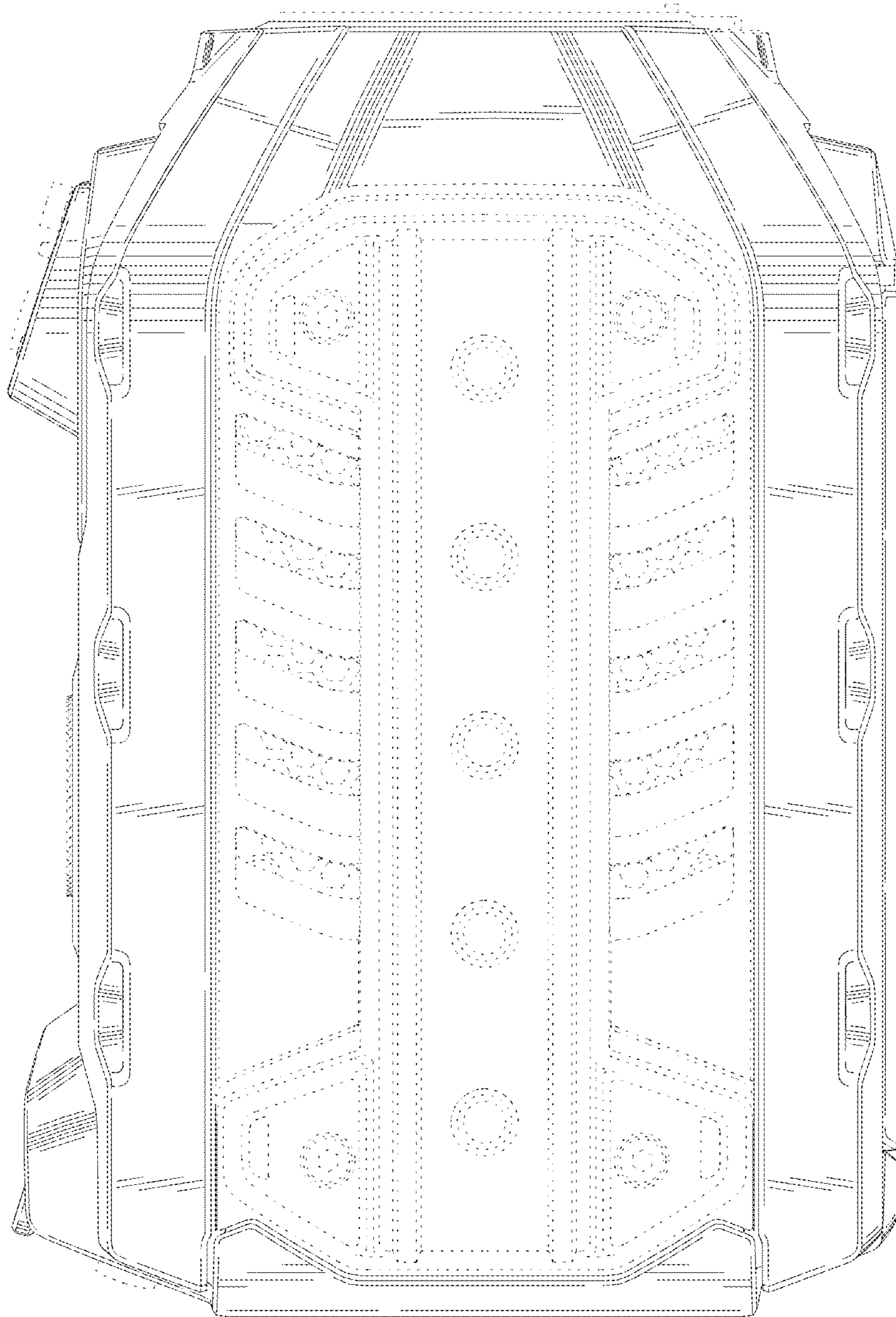


Figure 8

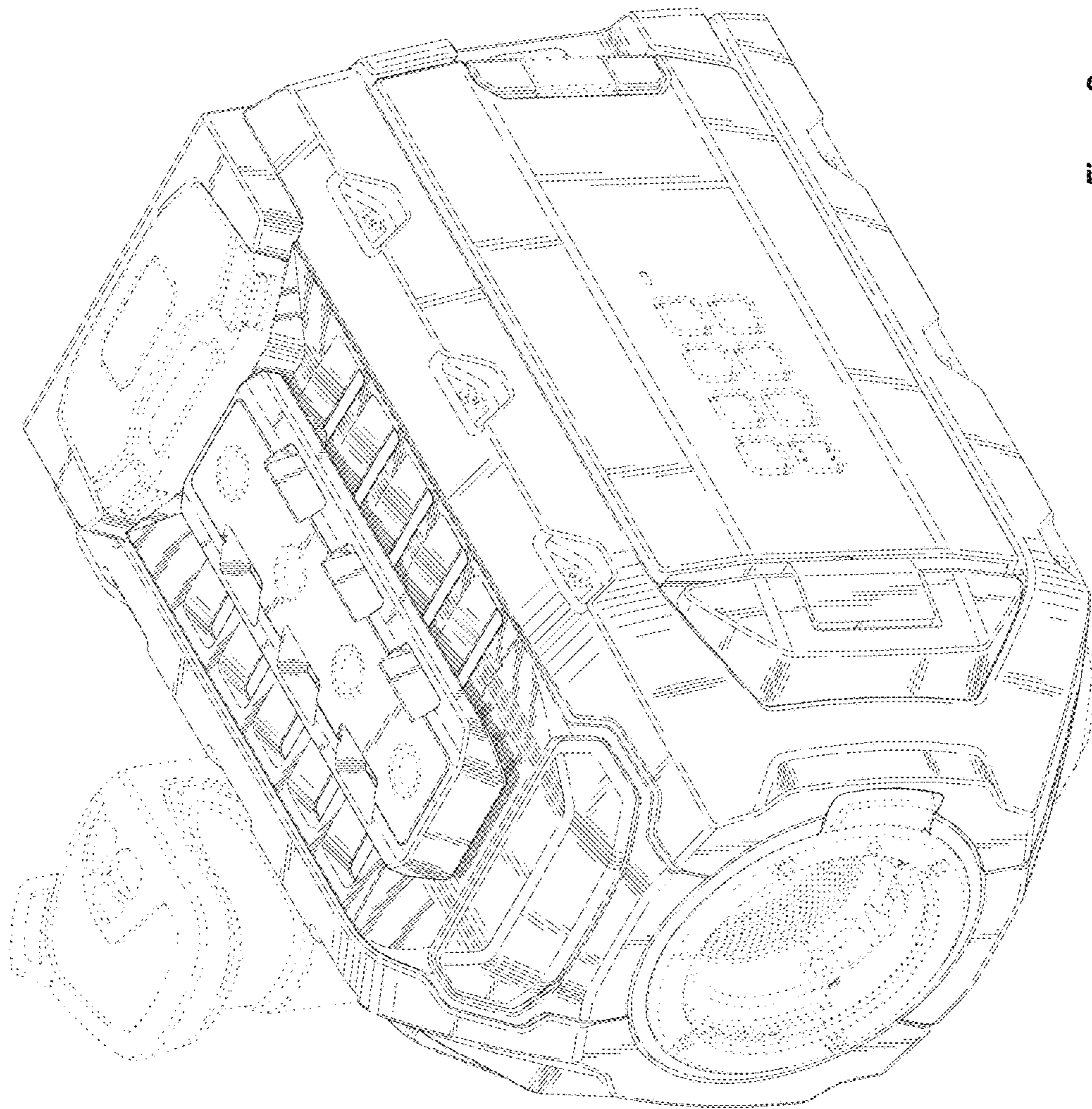


Figure 9

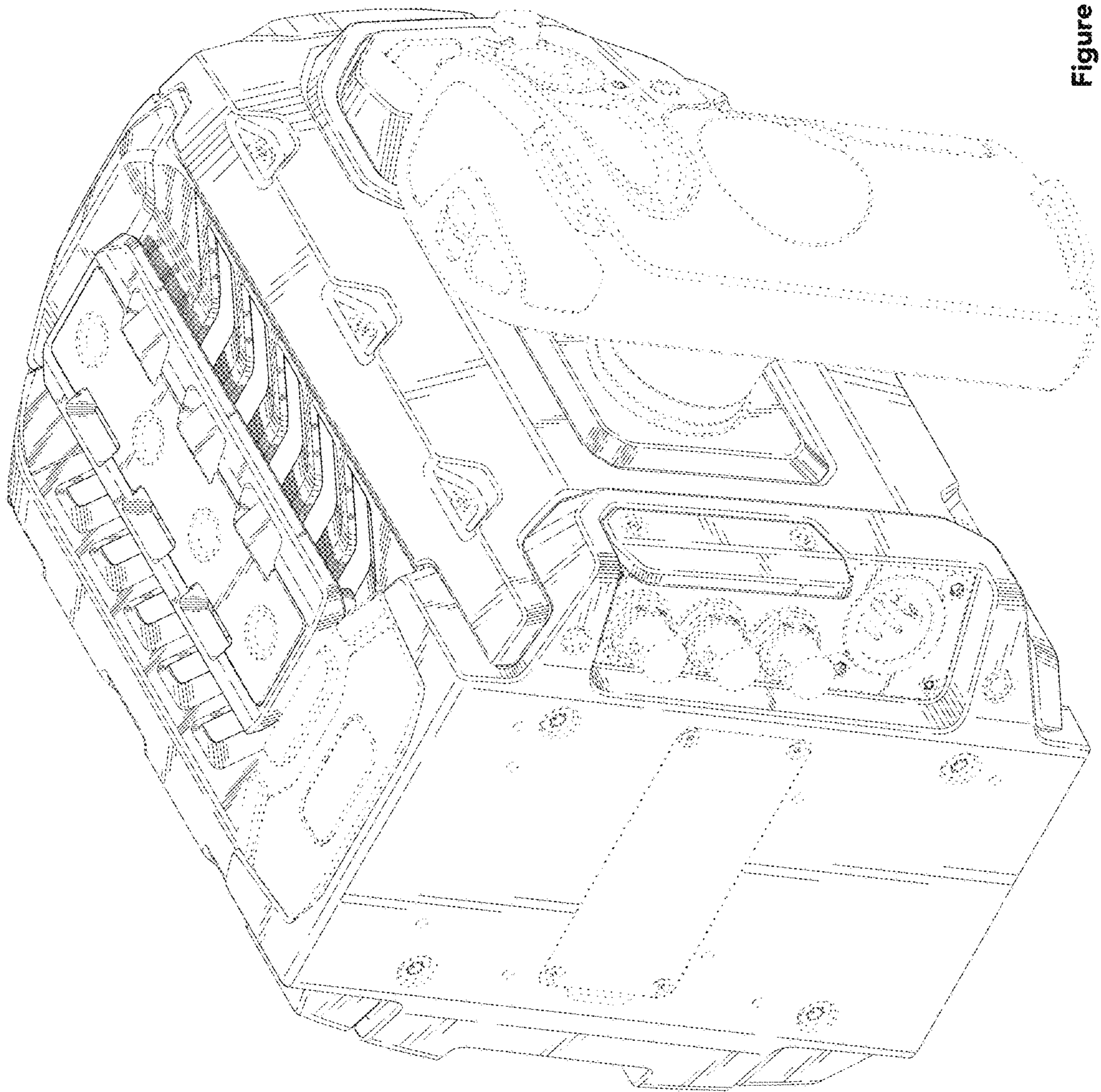


Figure 10

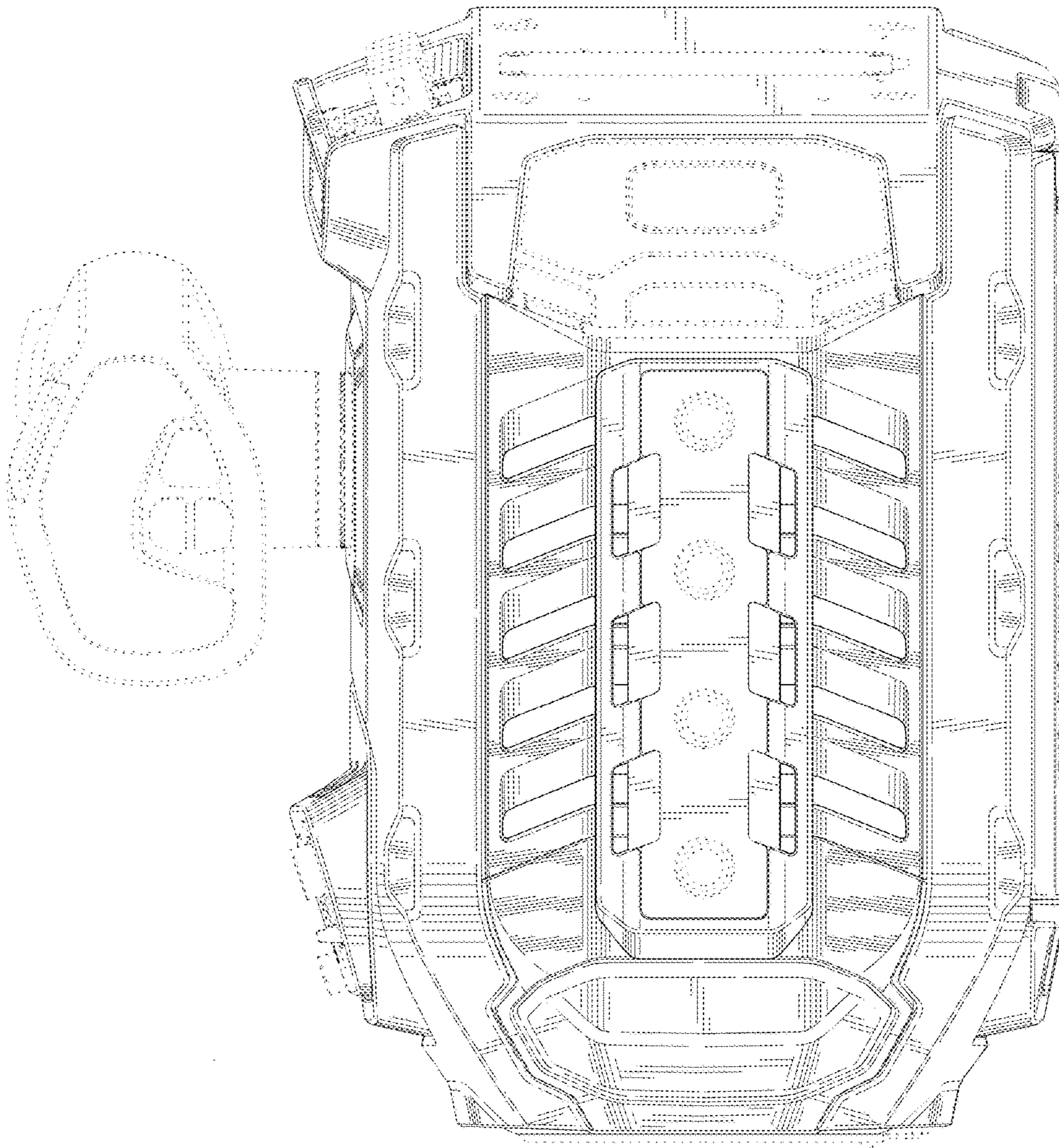


Figure 11

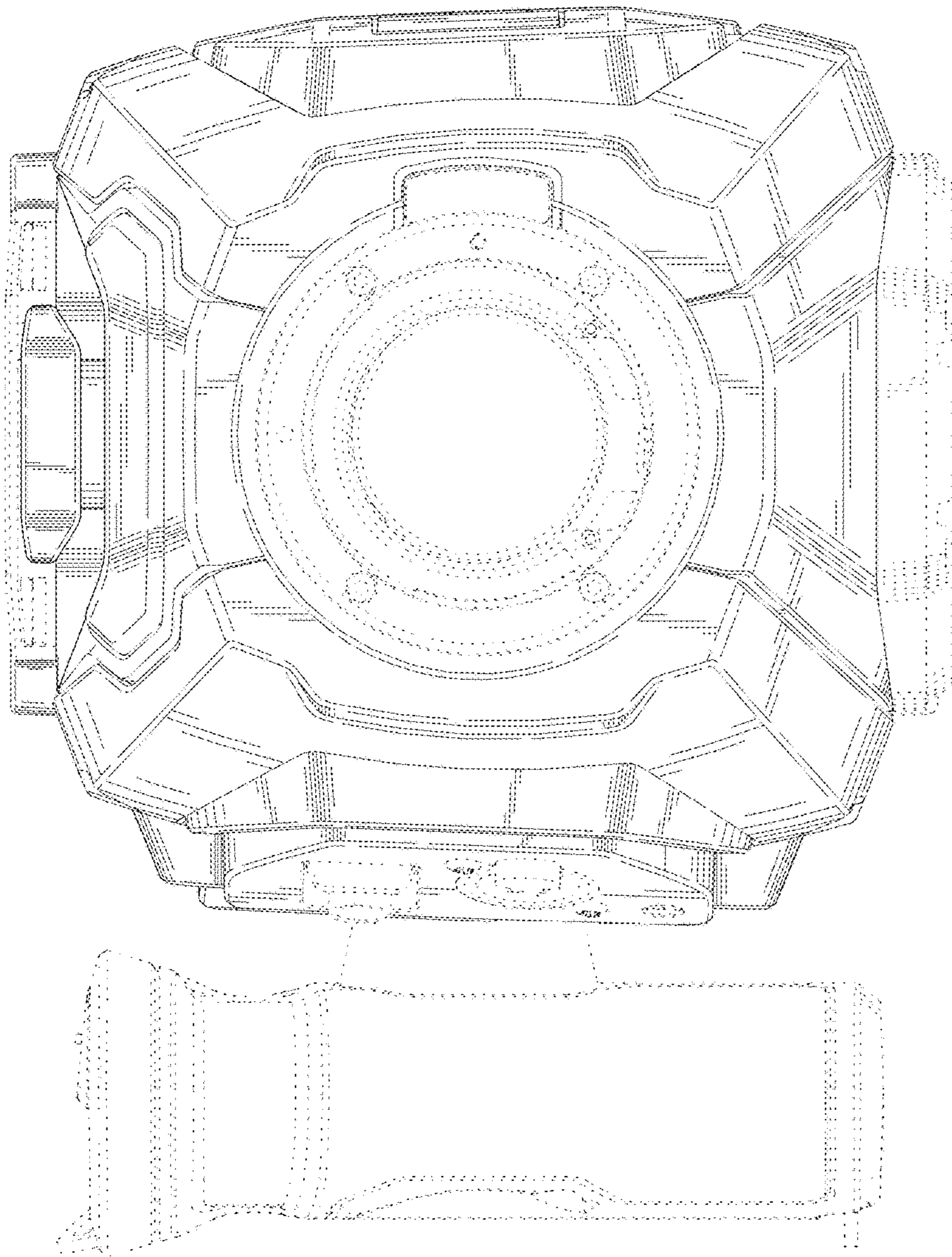


Figure 12

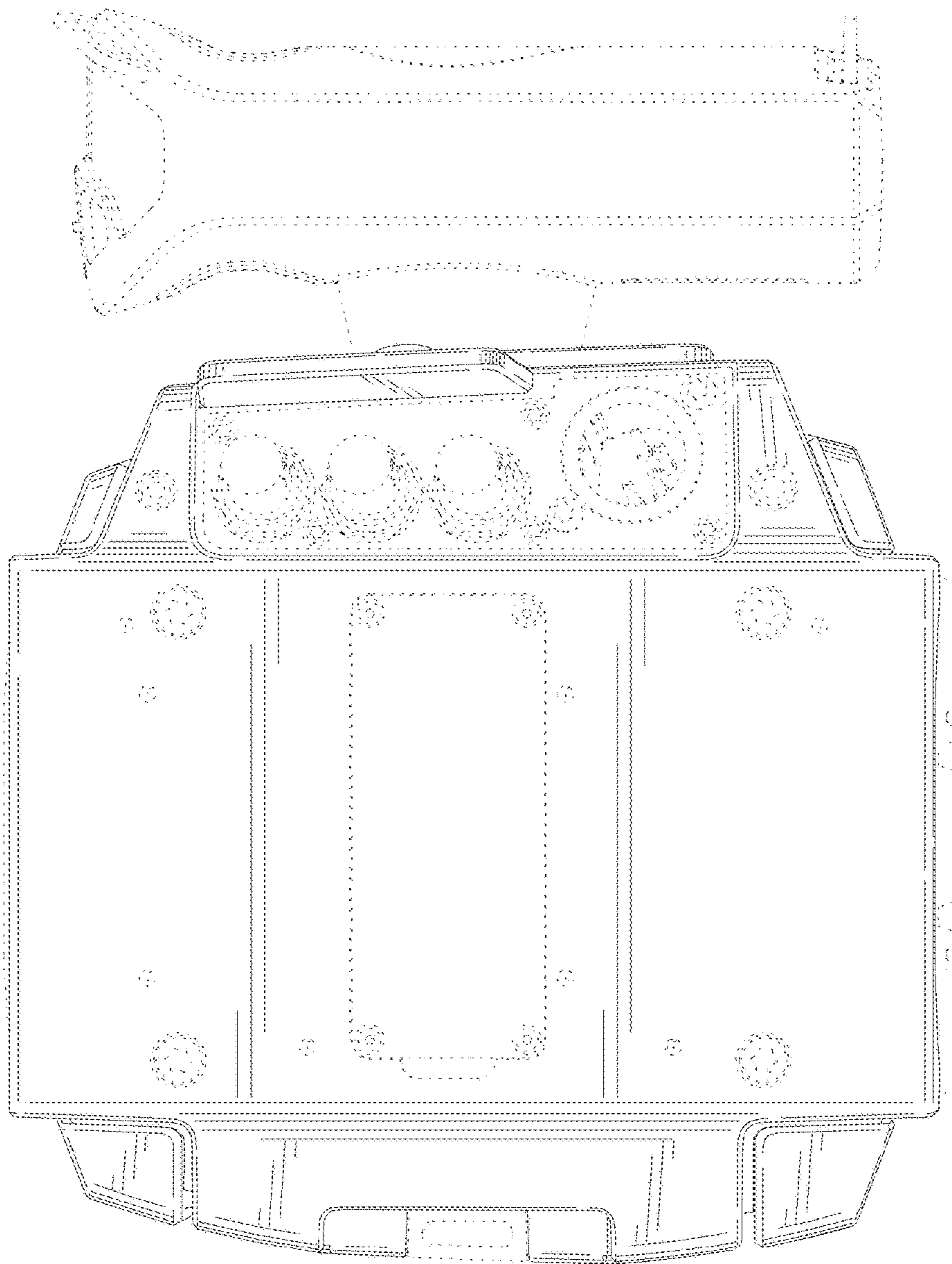


Figure 13

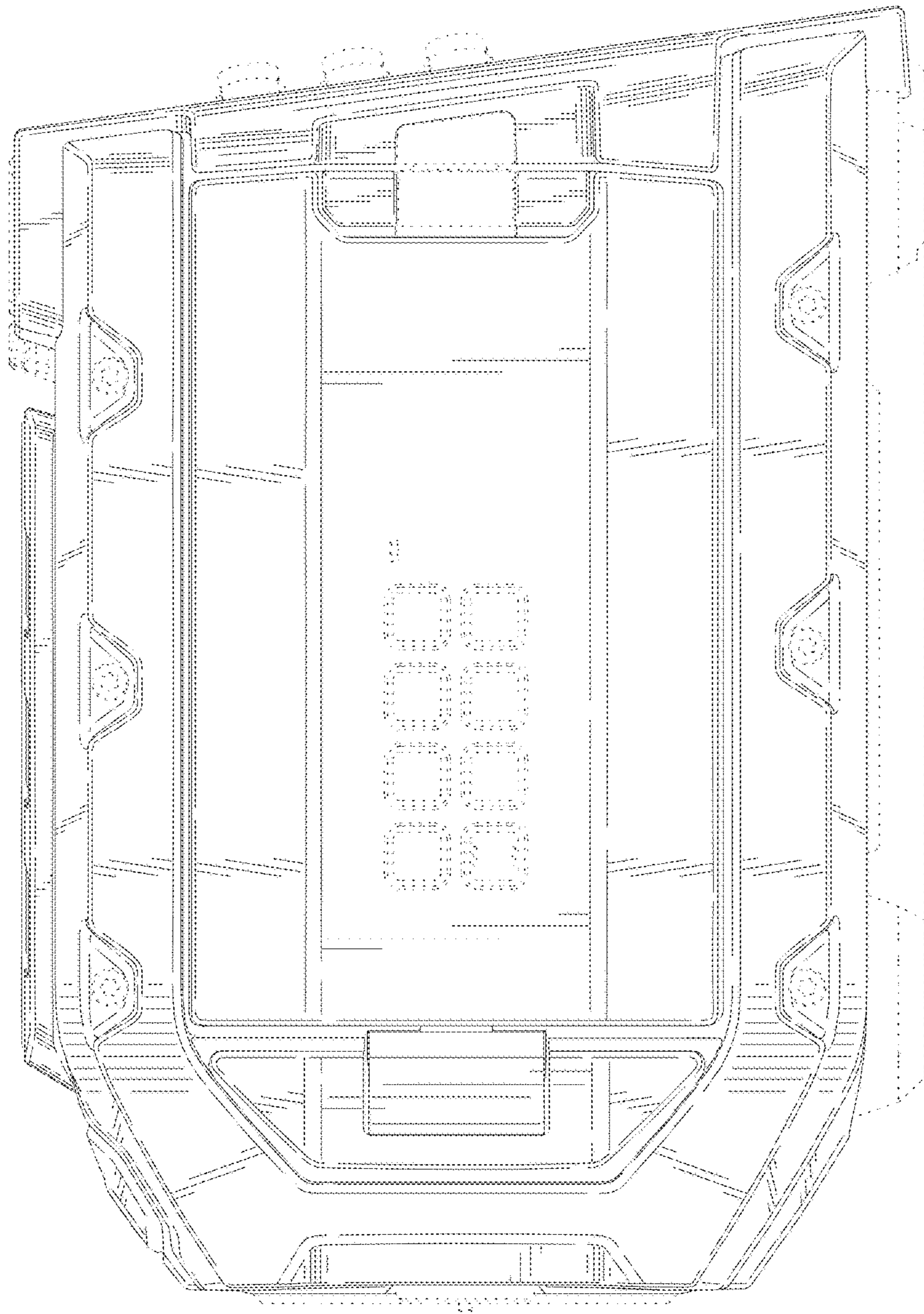


Figure 14



UNITED STATES PATENT AND TRADEMARK OFFICE  
**CERTIFICATE OF CORRECTION**

PATENT NO. : D840,459 S  
APPLICATION NO. : 29/541845  
DATED : February 12, 2019  
INVENTOR(S) : Grant Petty et al.

Page 1 of 17

It is certified that error appears in the above-identified patent and that said Letters Patent is hereby corrected as shown below:

On the Title Page

(57) DESCRIPTION should read:

FIG. 1 is a front perspective view of a camera showing our new design;

FIG. 2 is a rear perspective view thereof;

FIG. 3 is a top view thereof;

FIG. 4 is a front view thereof;

FIG. 5 is a rear view thereof;

FIG. 6 is a right side view thereof;

FIG. 7 is a left side view thereof;

FIG. 8 is a bottom view thereof; and

FIG. 9 is a front perspective view of a camera according to an alternate embodiment;

FIG. 10 is a rear perspective view thereof;

FIG. 11 is a top view thereof;

FIG. 12 is a front view thereof;

FIG. 13 is a rear view thereof;

FIG. 14 is a right side view thereof;

FIG. 15 is a left side view thereof; and

FIG. 16 is a bottom view thereof.

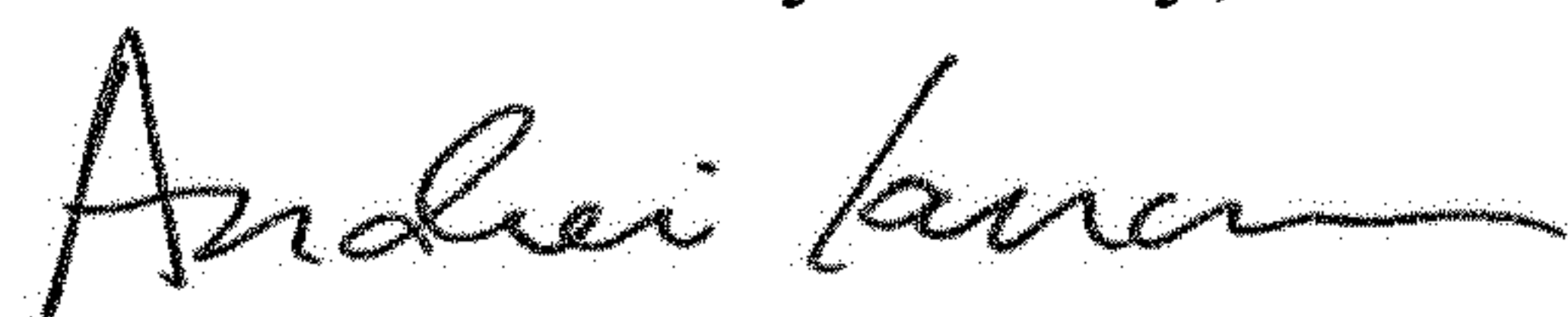
The broken lines illustrate portions of the "Camera" and form no part of the claimed design.

1 Claim, 14 Drawing Sheets should read 1 Claim, 16 Drawing Sheets

In the Drawings

Replace drawing sheets 1-14 with attached drawing sheets 1-16, consisting of FIGS. 1-16

Signed and Sealed this  
Fourteenth Day of May, 2019



Andrei Iancu  
Director of the United States Patent and Trademark Office

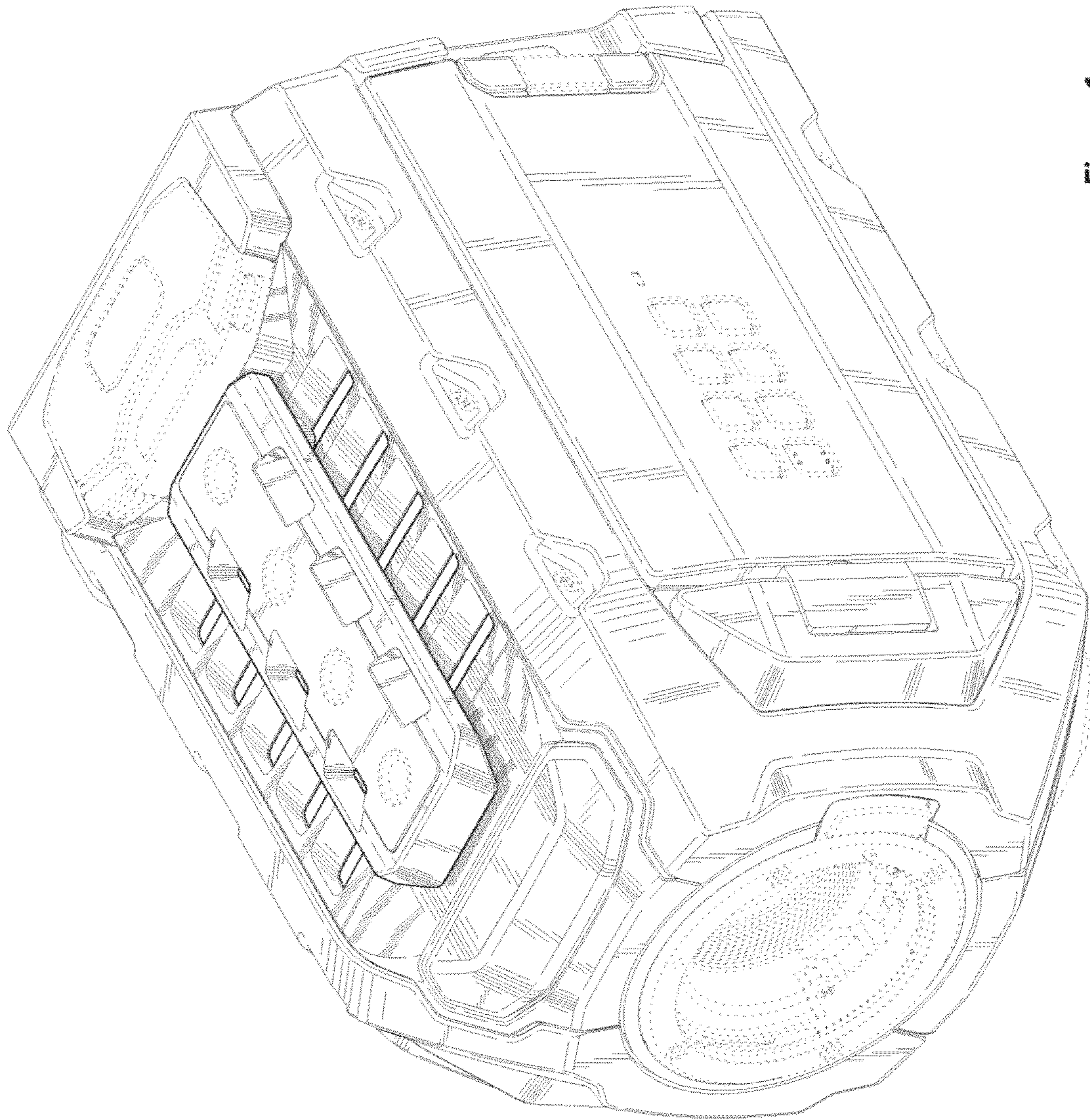


Figure 1

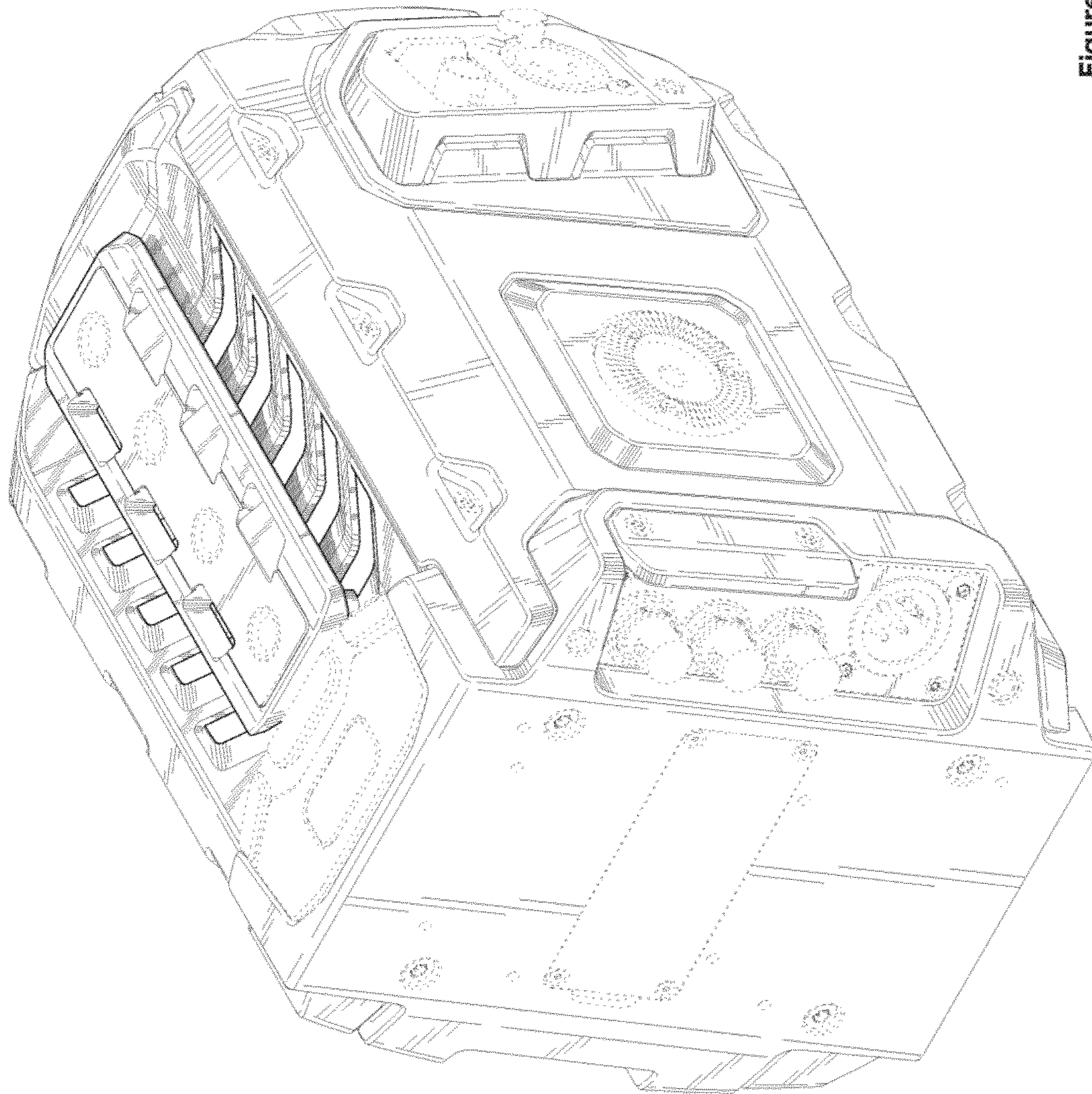


Figure 2

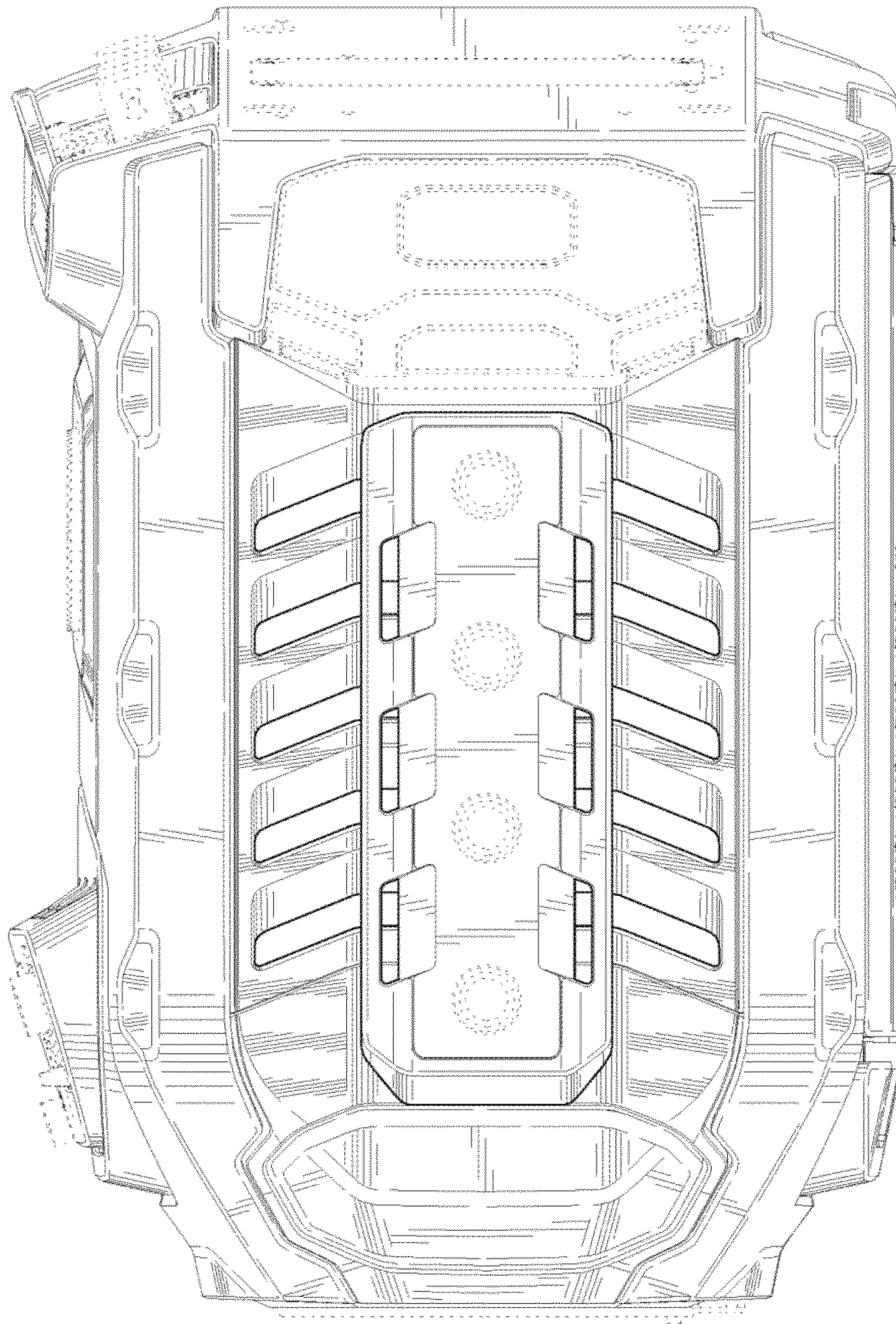


Figure 3

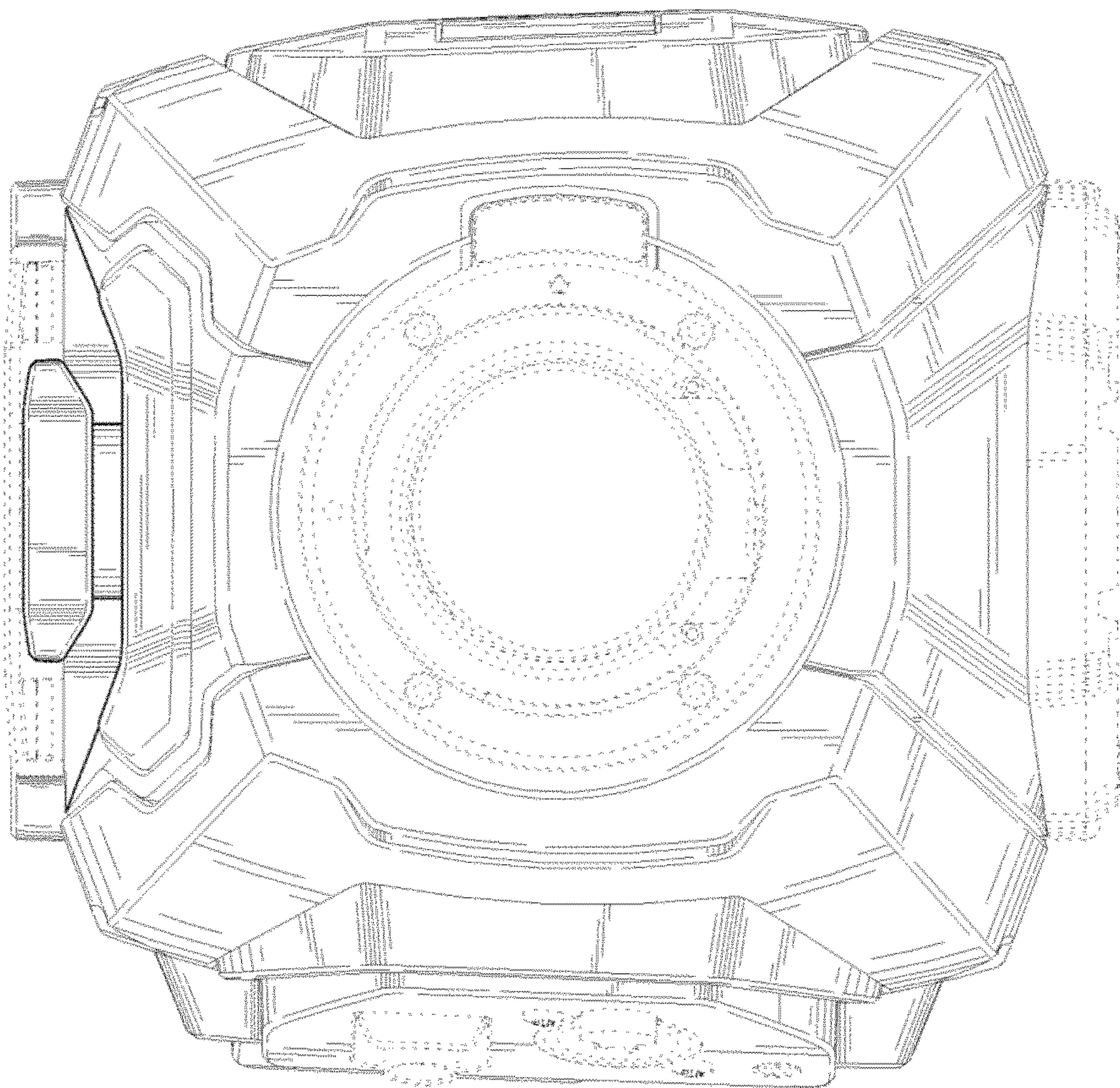


Figure 4

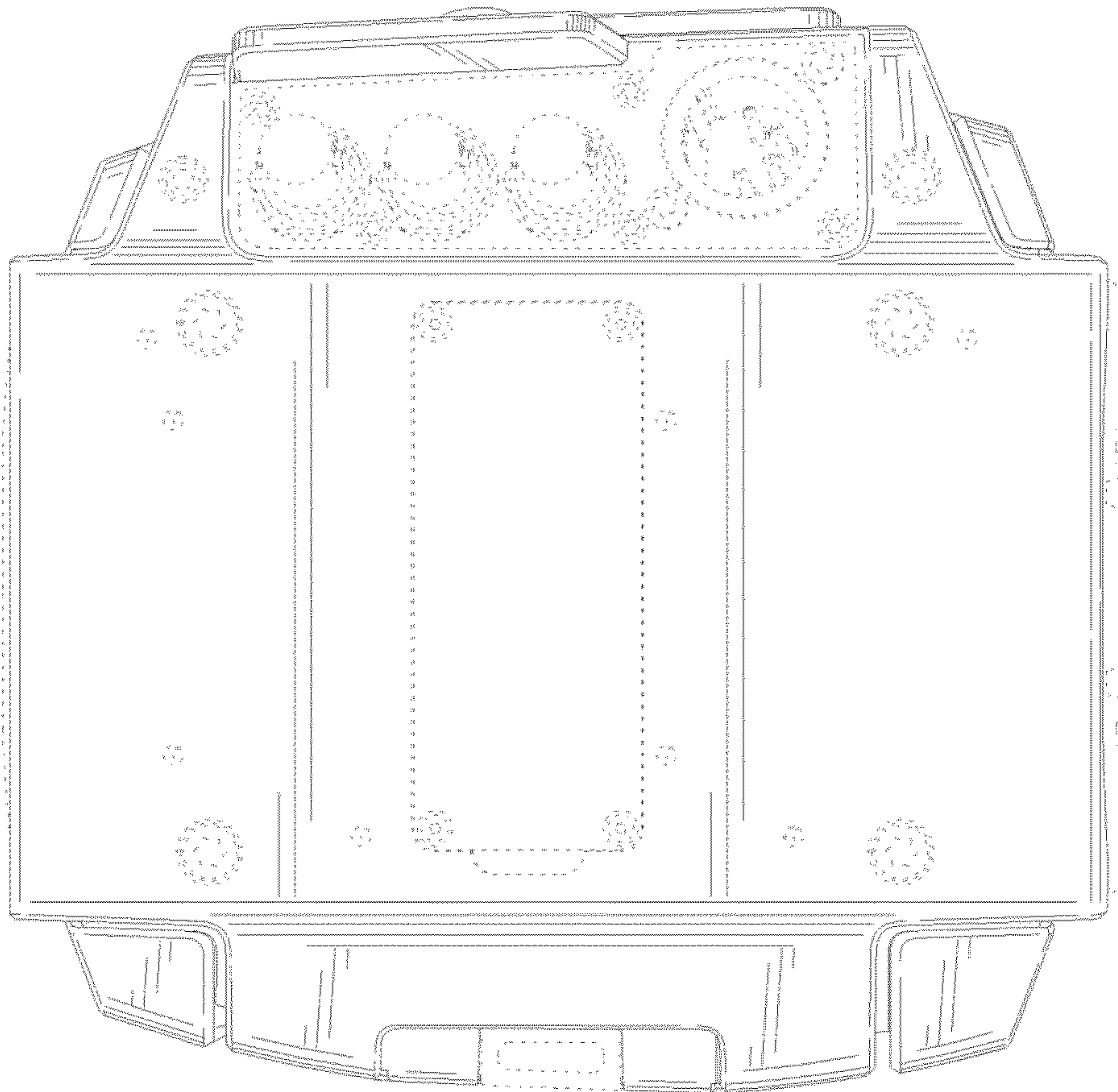


Figure 5

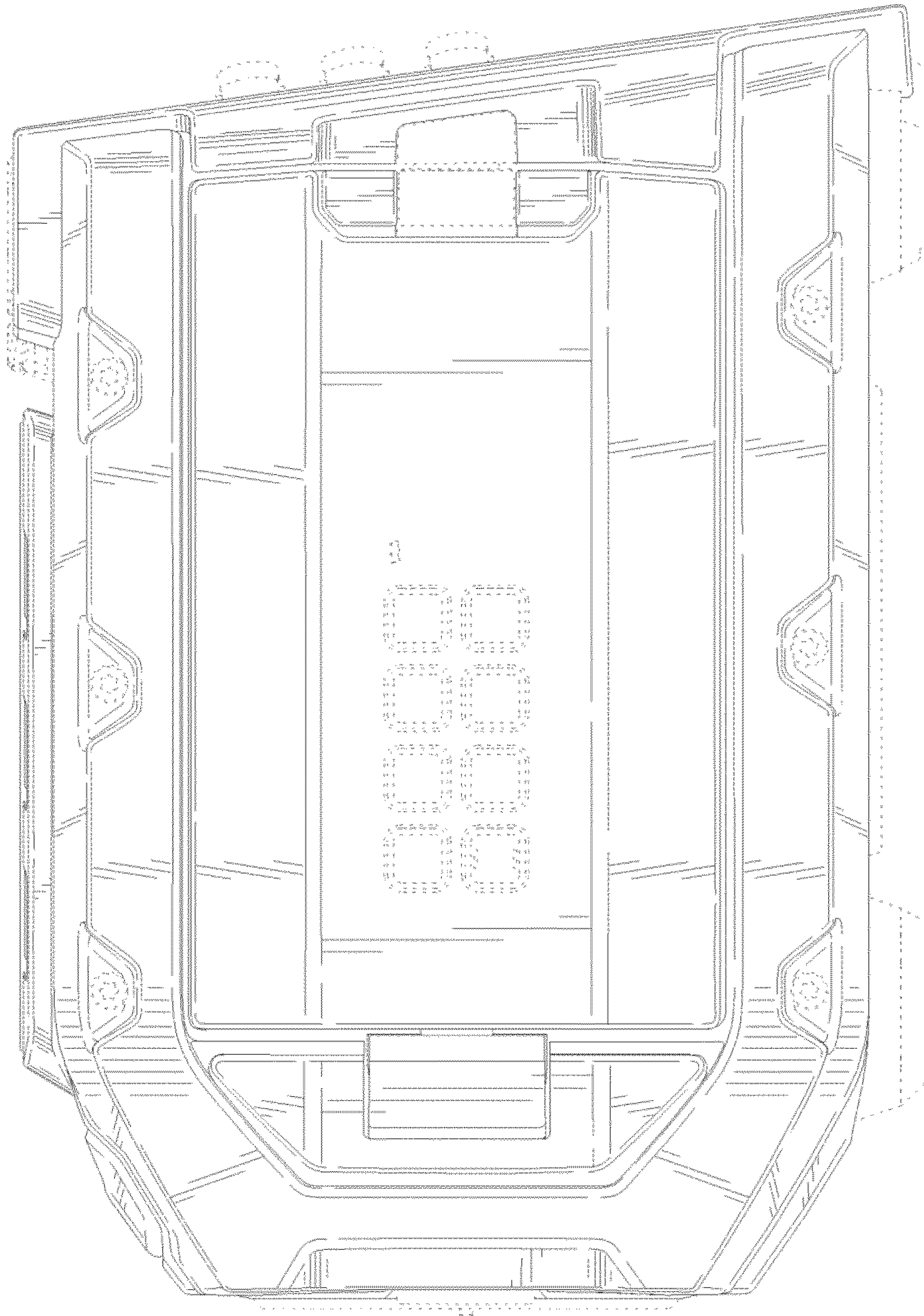


Figure 6

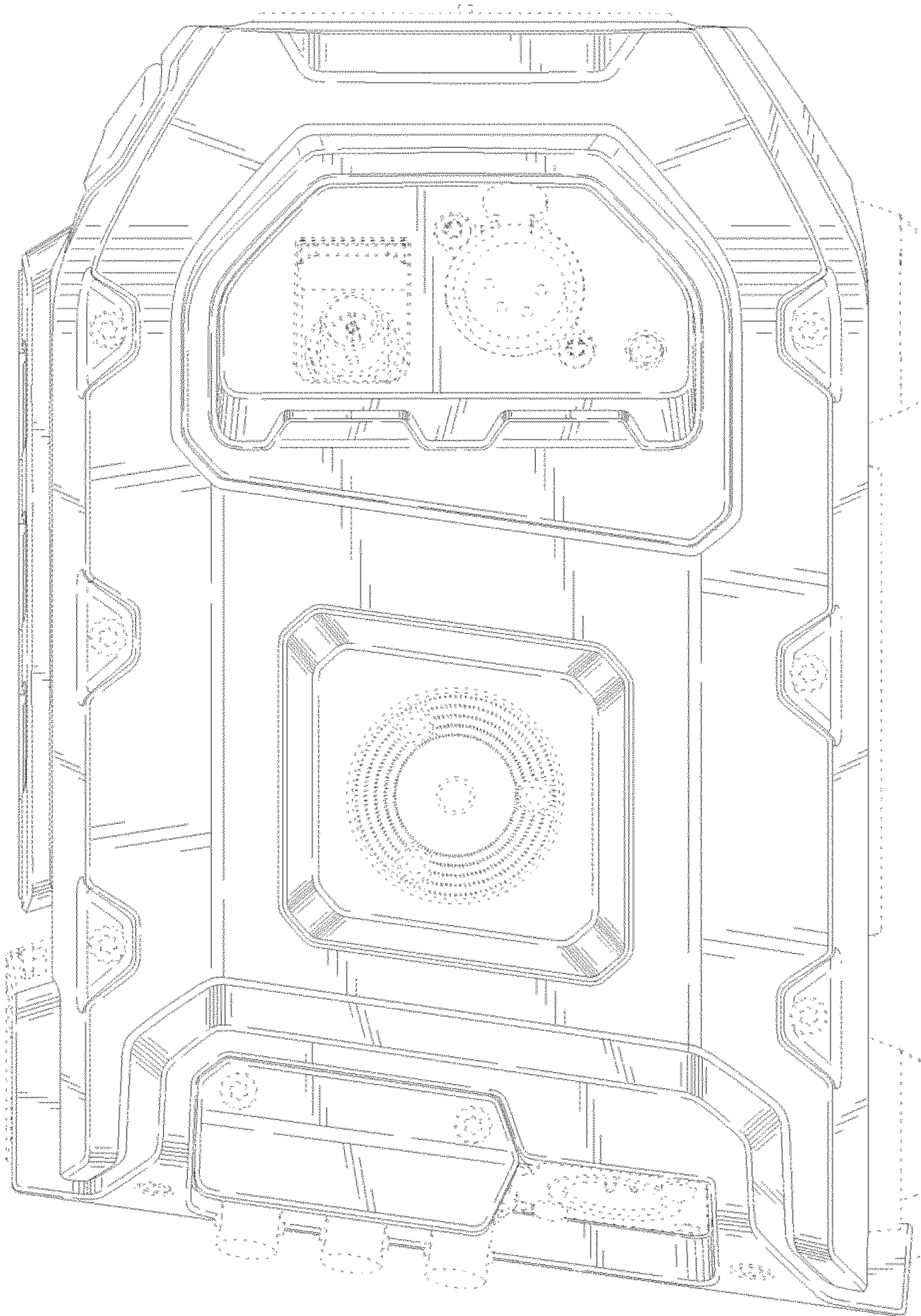


Figure 7



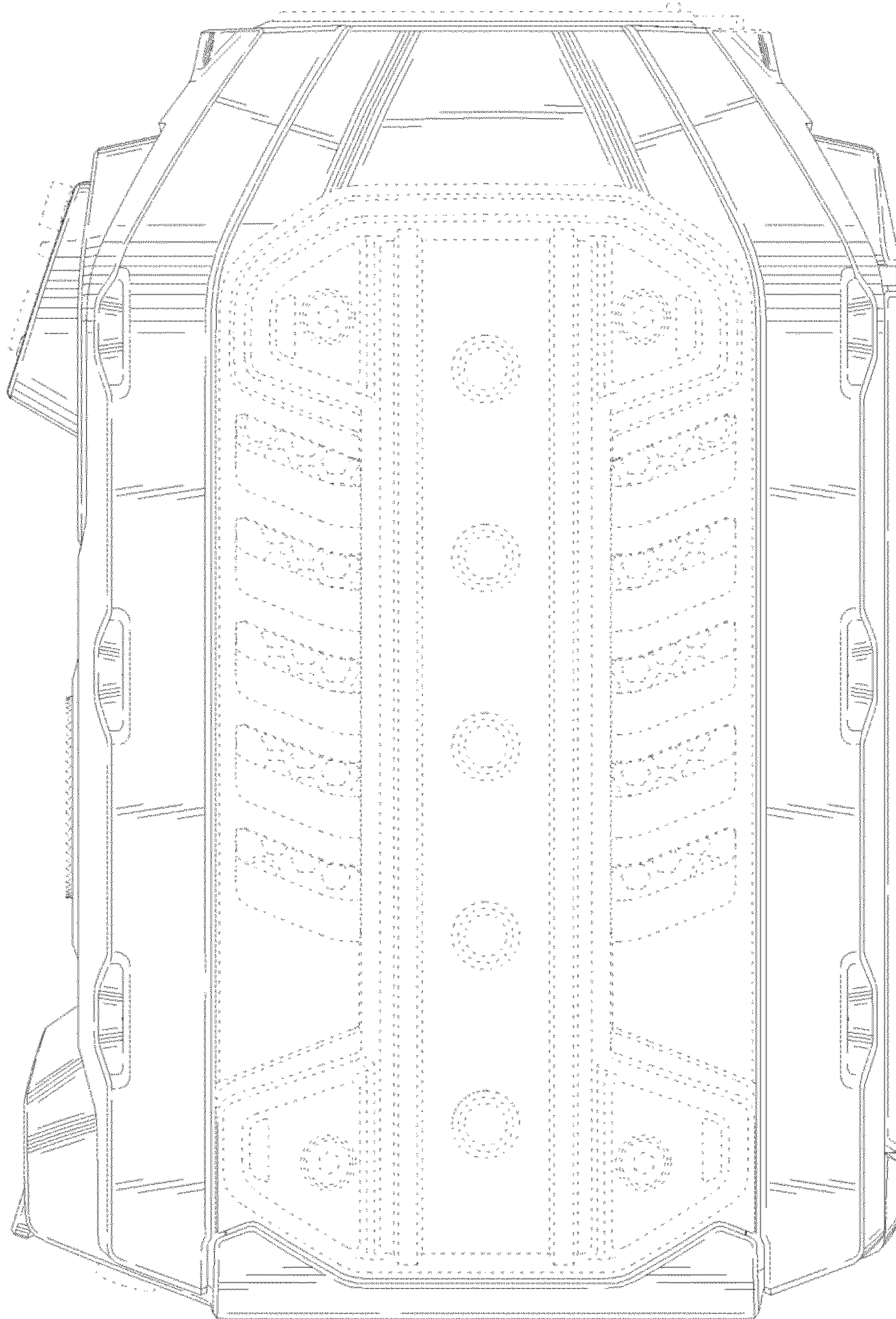


Figure 8

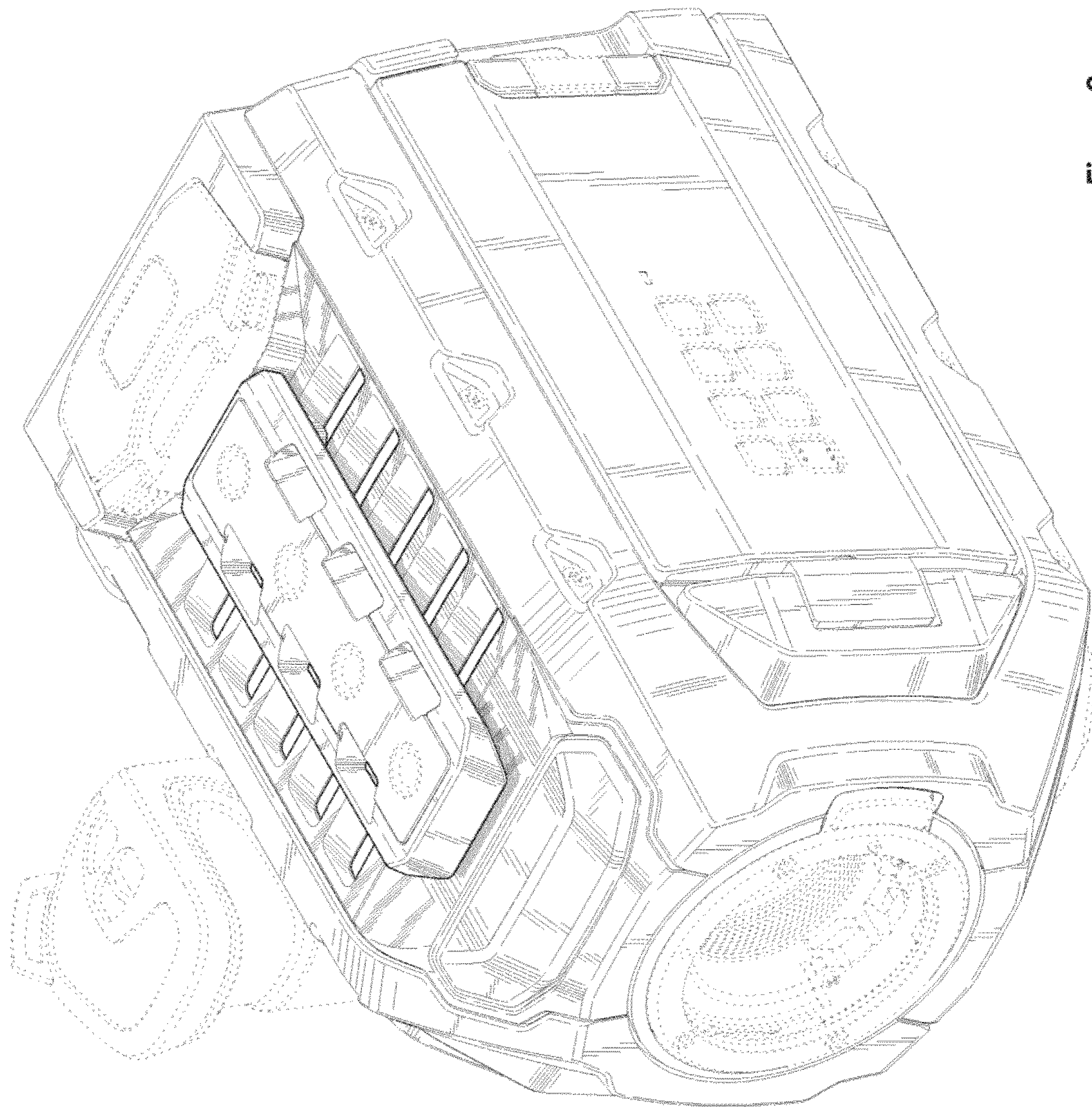


Figure 9

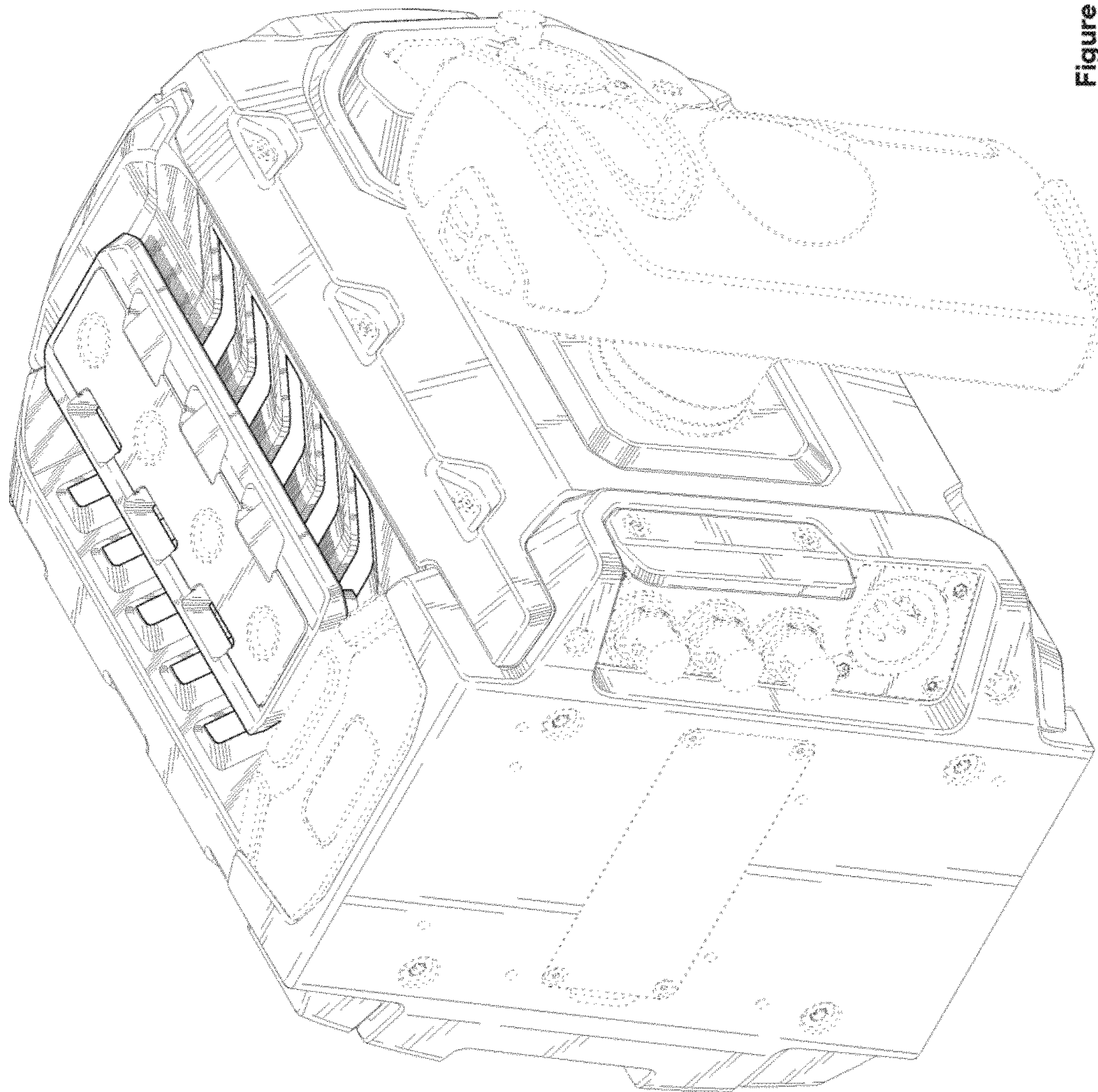


Figure 10

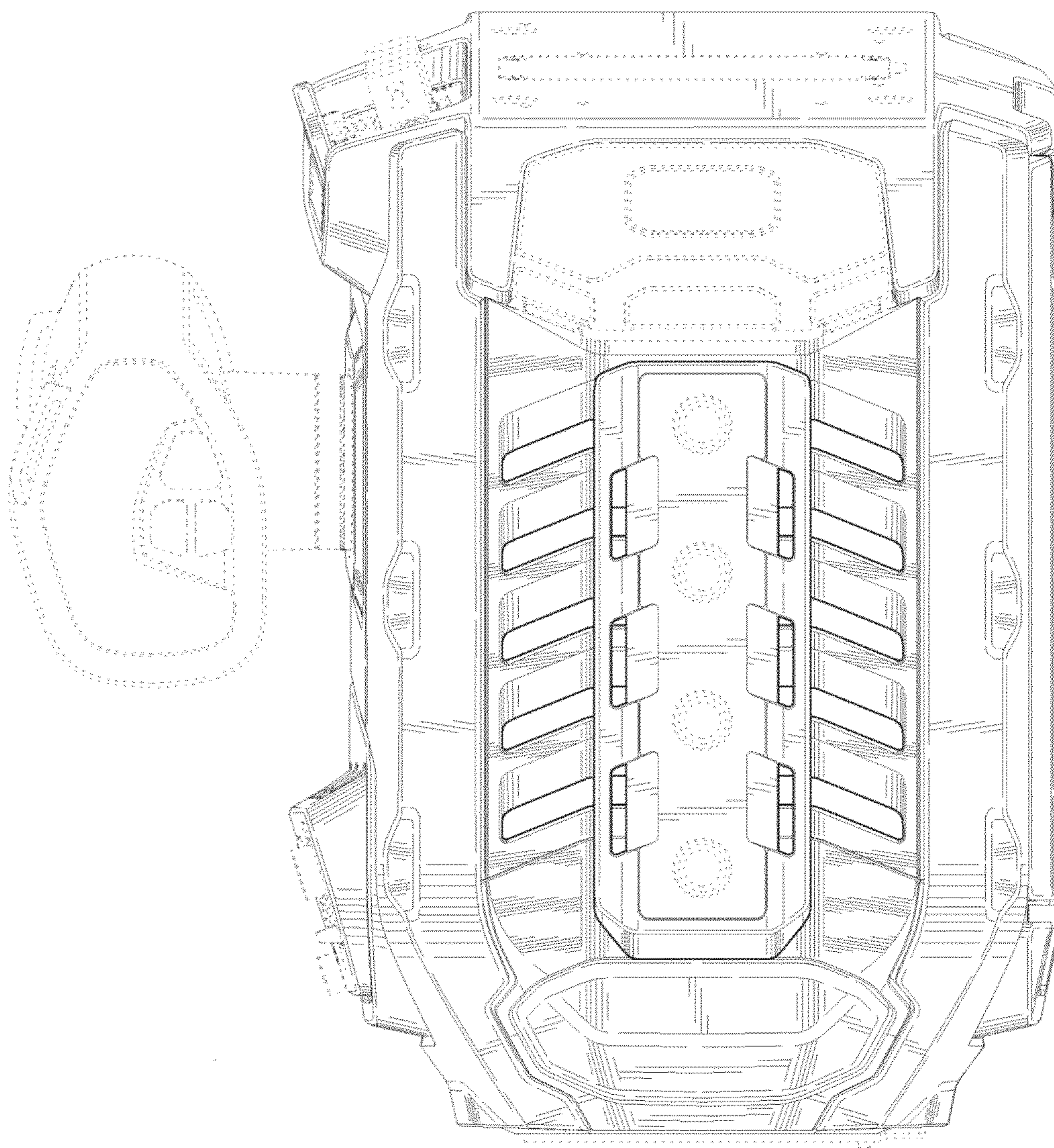


Figure 11

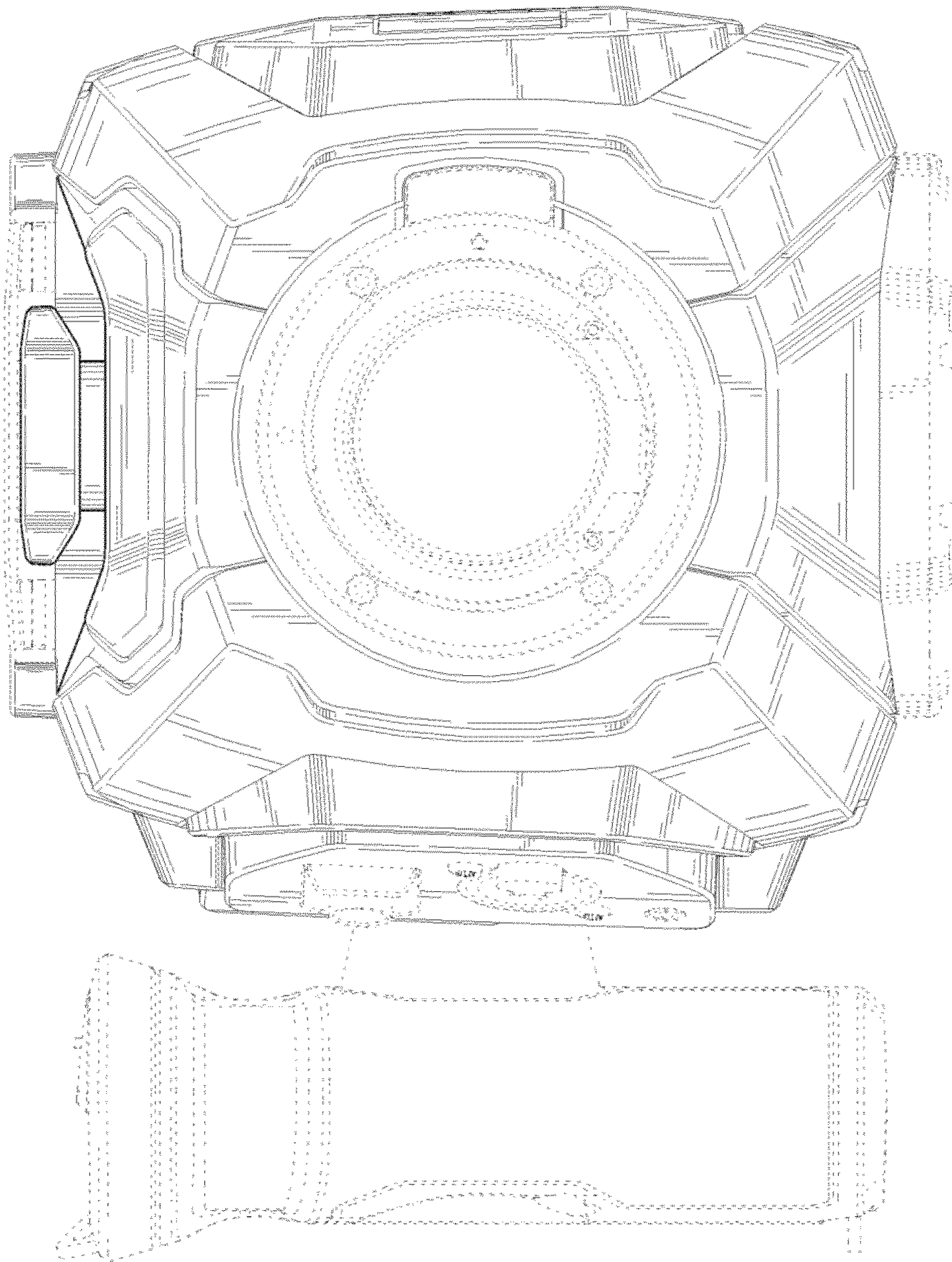


Figure 12

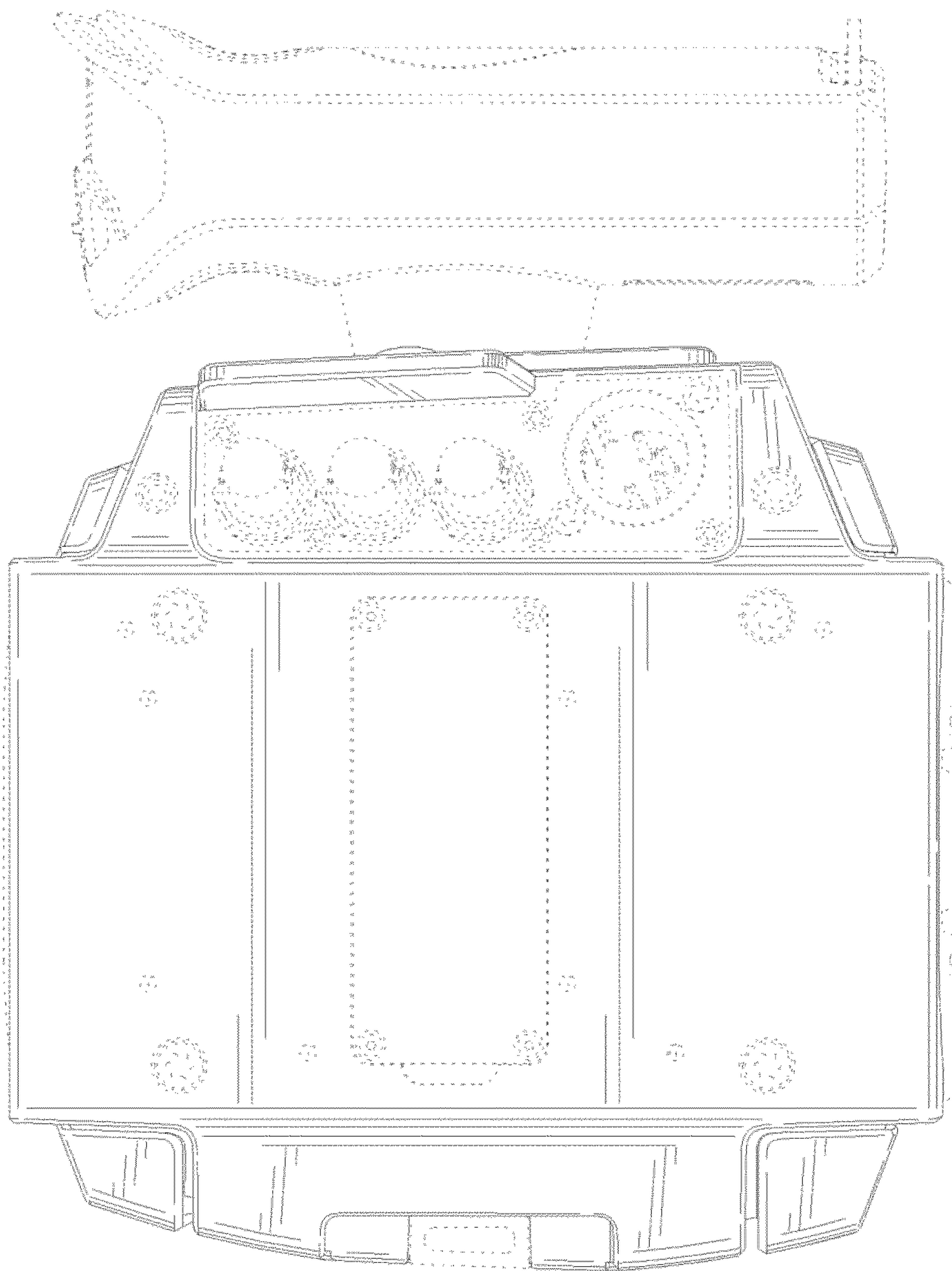


Figure 13

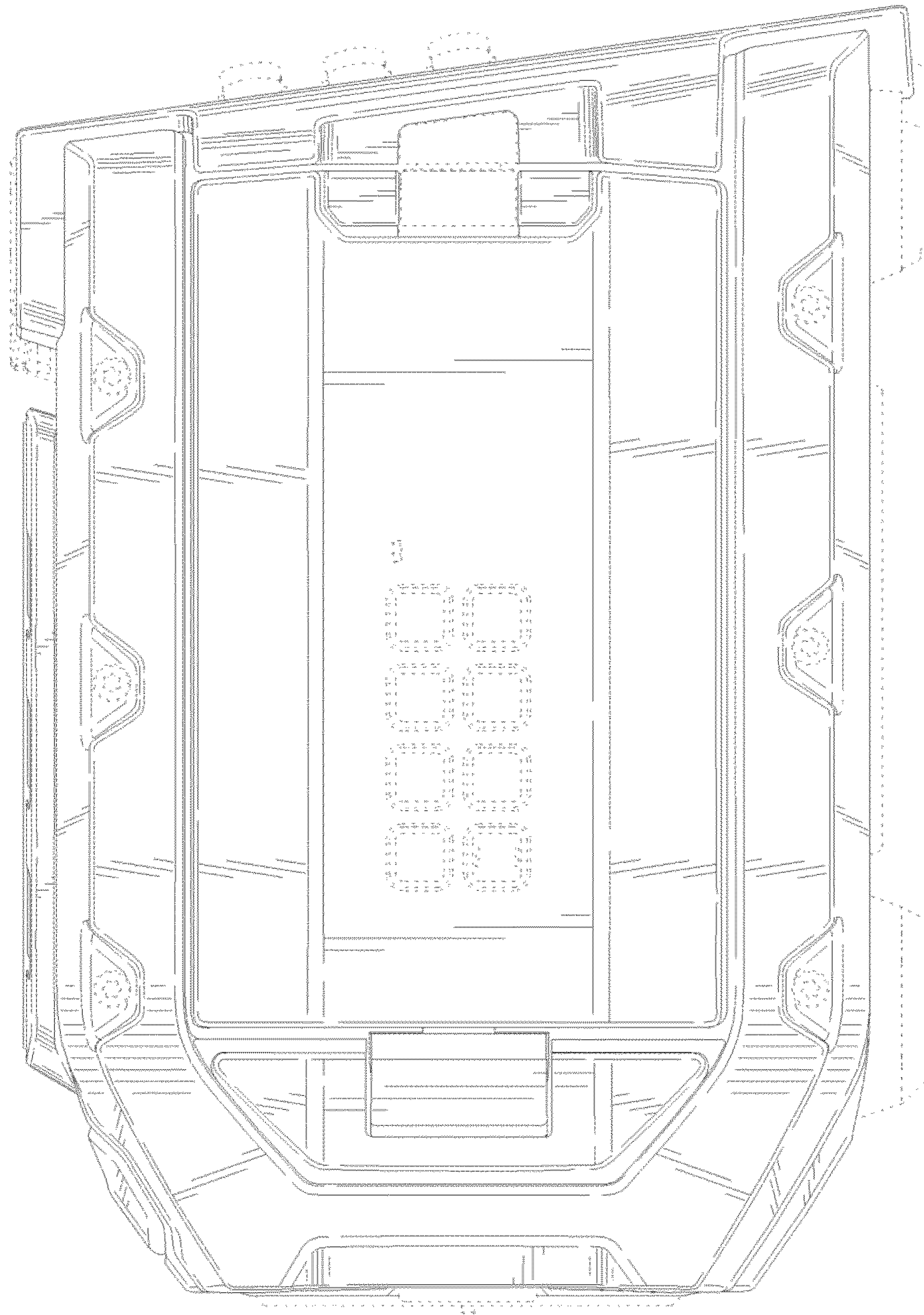


Figure 14

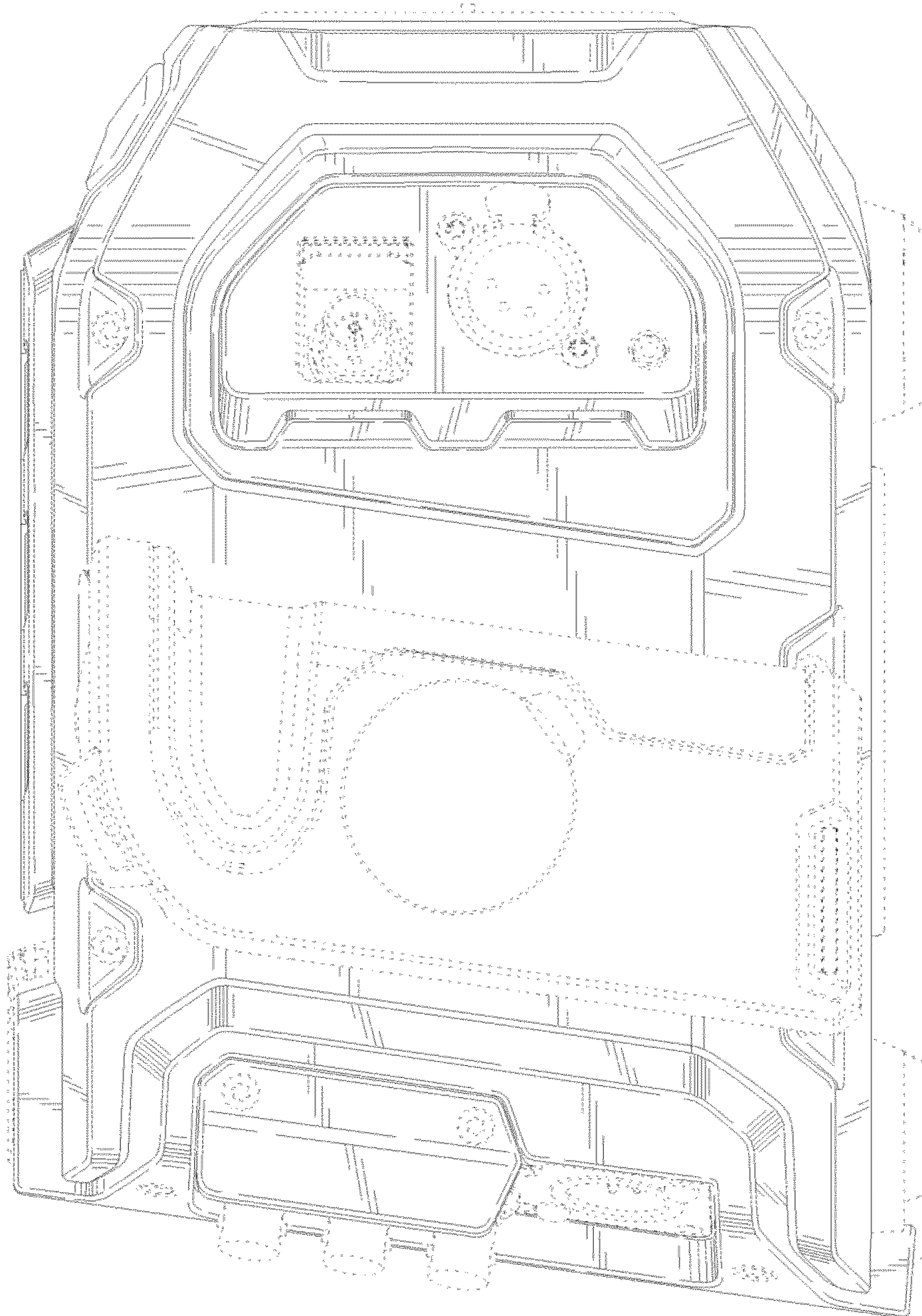


Figure 15



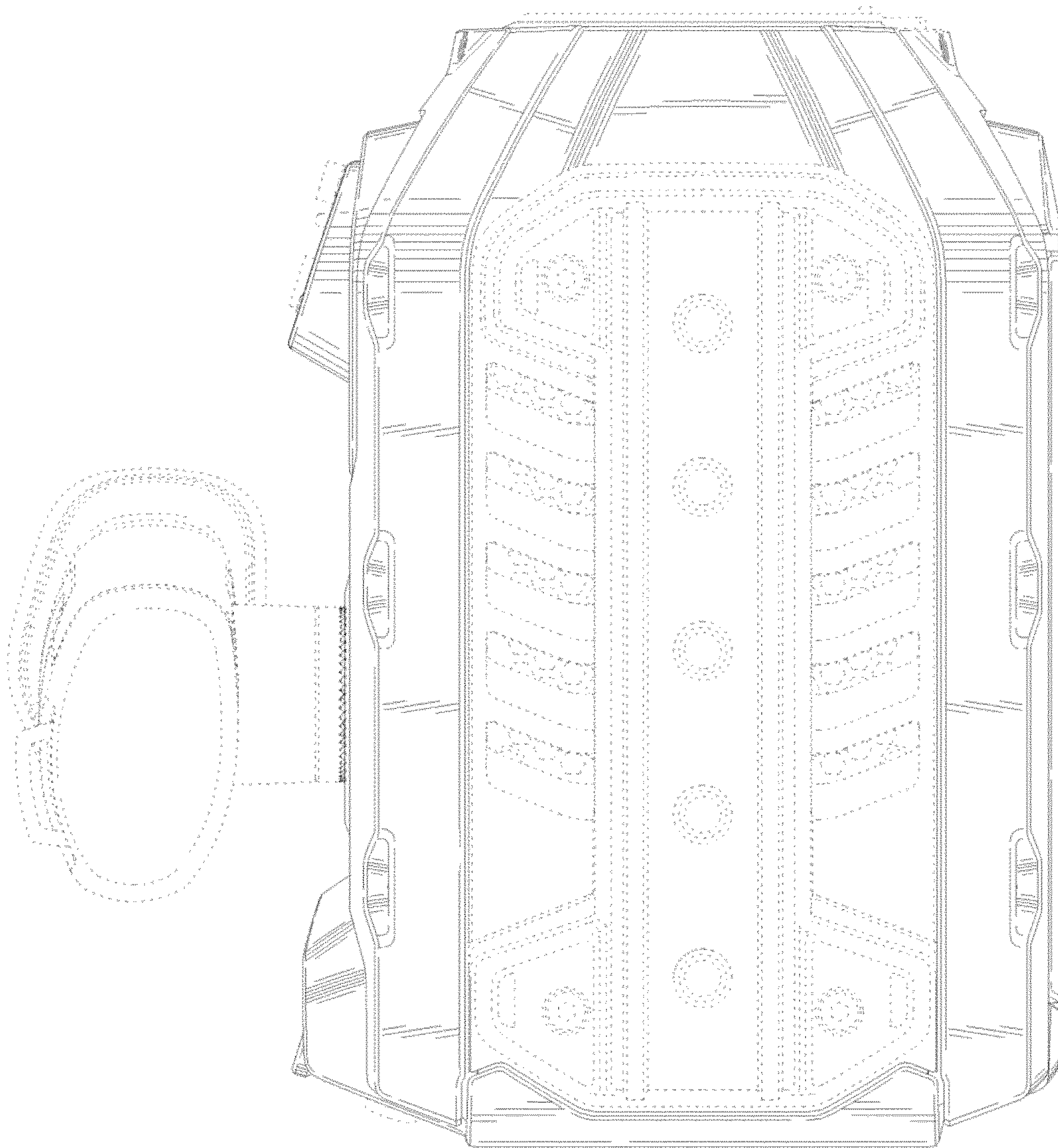


Figure 16