

US00D840458S

(12) **United States Design Patent**
Geller et al.

(10) **Patent No.:** **US D840,458 S**

(45) **Date of Patent:** **** Feb. 12, 2019**

(54) **DRAPE RING**

(71) Applicant: **Carl Zeiss Meditec AG**, Jena (DE)

(72) Inventors: **Nadine Geller**, Koenigsbronn (DE);
Daniel Lindner, Koenigsbronn (DE);
Frank Koenig, Aalen (DE)

(73) Assignee: **Carl Zeiss Meditec AG**, Jena (DE)

(**) Term: **15 Years**

(21) Appl. No.: **29/621,792**

(22) Filed: **Oct. 11, 2017**

Related U.S. Application Data

(62) Division of application No. 29/567,833, filed on Jun. 13, 2016.

(30) **Foreign Application Priority Data**

Dec. 11, 2015 (EM) 002907030

(51) **LOC (11) Cl.** **16-06**

(52) **U.S. Cl.**
USPC **D16/131**

(58) **Field of Classification Search**
USPC D16/130-136, 217, 218, 219, 245, 208
CPC G02B 7/00; G02B 7/0026; G02B 7/0018;
G03B 11/06; G03B 11/04
See application file for complete search history.

(56) **References Cited**

U.S. PATENT DOCUMENTS

D198,141 S 5/1964 Armbruster
D198,142 S 5/1964 Armbruster
D235,578 S 6/1975 Miyake et al.
D252,833 S 9/1979 Bowser
4,307,950 A 12/1981 Suzuki et al.
5,155,624 A * 10/1992 Flagler B65D 85/38
359/510

D339,599 S 9/1993 Tiffen
5,311,358 A 5/1994 Pederson et al.
5,608,574 A * 3/1997 Heinrich A61B 46/10
359/376
5,682,264 A 10/1997 Cleveland et al.
5,876,328 A * 3/1999 Fox A61B 46/10
600/121

(Continued)

OTHER PUBLICATIONS

Drape Rings | Surgical Drapes with VisionGuard Lens | Zeiss, posted date N/A/, (c) N/A Zeiss International, [online],[site visited Mar. 28, 2018], Available at <https://www.zeiss.com/meditec/int/products/spine-surgery/surgical-microscopes/opmi-vario-700.html#options---accessories>.*

Primary Examiner — Sandra S Snapp

Assistant Examiner — Holly E Thurman

(74) *Attorney, Agent, or Firm* — Walter Ottesen, P.A.

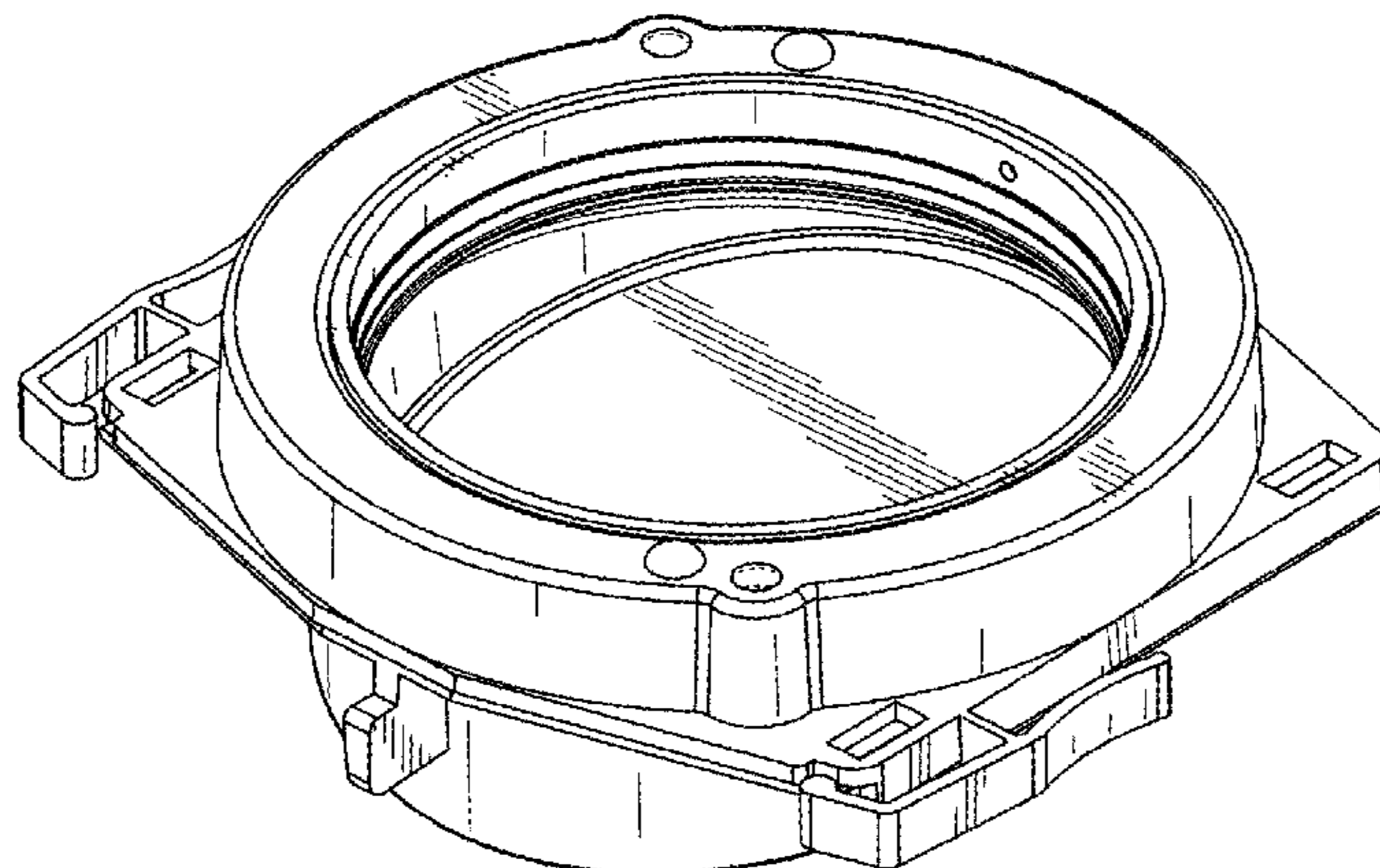
(57) **CLAIM**

The ornamental design for a drape ring, as shown and described.

DESCRIPTION

FIG. 1 is a top perspective view of a drape ring of our new design;
FIG. 2 is a bottom perspective view of the drape ring of FIG. 1;
FIG. 3 is a top plan view of the drape ring of FIG. 1;
FIG. 4 is a bottom plan view of the drape ring of FIG. 1;
FIG. 5 is a front elevation view of the drape ring of FIG. 1;
FIG. 6 is a rear elevation view of the drape ring of FIG. 1;
FIG. 7 is a left side elevation view of the drape ring of FIG. 1; and,
FIG. 8 is a right side elevation view of the drape ring of FIG. 1.
The broken lines depict portions of the drape ring that form no part of the claimed design.

1 Claim, 4 Drawing Sheets



(56)

References Cited

U.S. PATENT DOCUMENTS

6,024,454 A * 2/2000 Horan G02B 21/0012
206/316.1

6,026,244 A 2/2000 Tanaka
D425,930 S * 5/2000 Kurisu D18/43
D435,586 S 12/2000 Kunihiro et al.
6,270,266 B1 8/2001 Fukuda et al.
6,876,503 B1 4/2005 Weaver et al.
D505,147 S 5/2005 Koren
7,232,230 B2 * 6/2007 Bala G02B 7/001
359/510

D649,993 S 12/2011 Ding
D721,750 S 1/2015 Teetzel et al.
D723,078 S 2/2015 Nauli et al.
D723,600 S 3/2015 Nauli et al.

2001/0038499 A1 * 11/2001 Baartman G11B 7/1374
359/821

2004/0156100 A1 * 8/2004 Fuchs A61B 46/10
359/368

2004/0190140 A1 9/2004 Bala
2005/0094269 A1 5/2005 Moses et al.
2005/0286130 A1 12/2005 Bala
2007/0064309 A1 * 3/2007 Luloh A61B 46/10
359/510

2008/0144178 A1 6/2008 Dillon et al.
2010/0238551 A1 9/2010 Hubbs
2017/0168292 A1 6/2017 Koenig et al.

* cited by examiner

FIG. 1

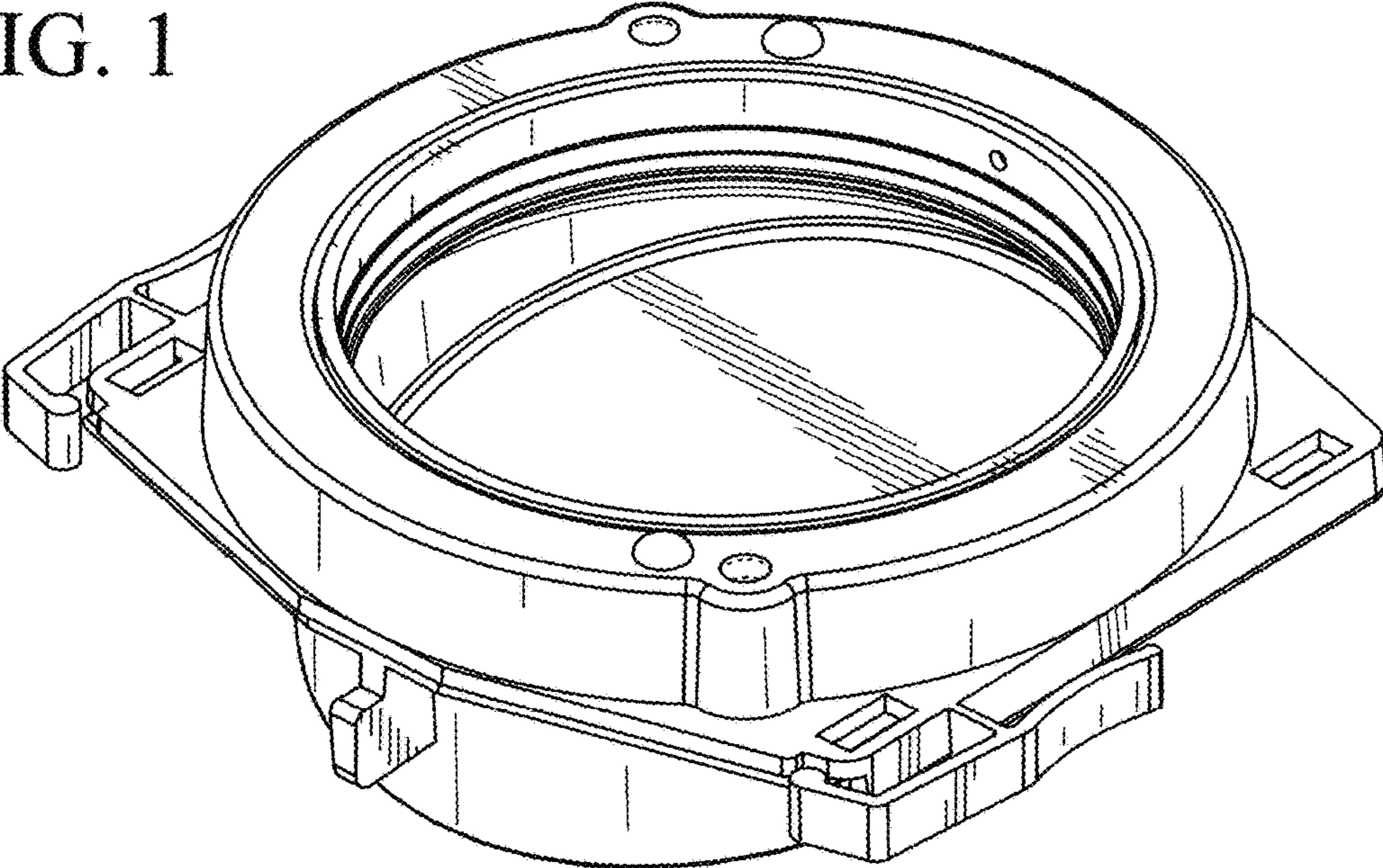


FIG. 2

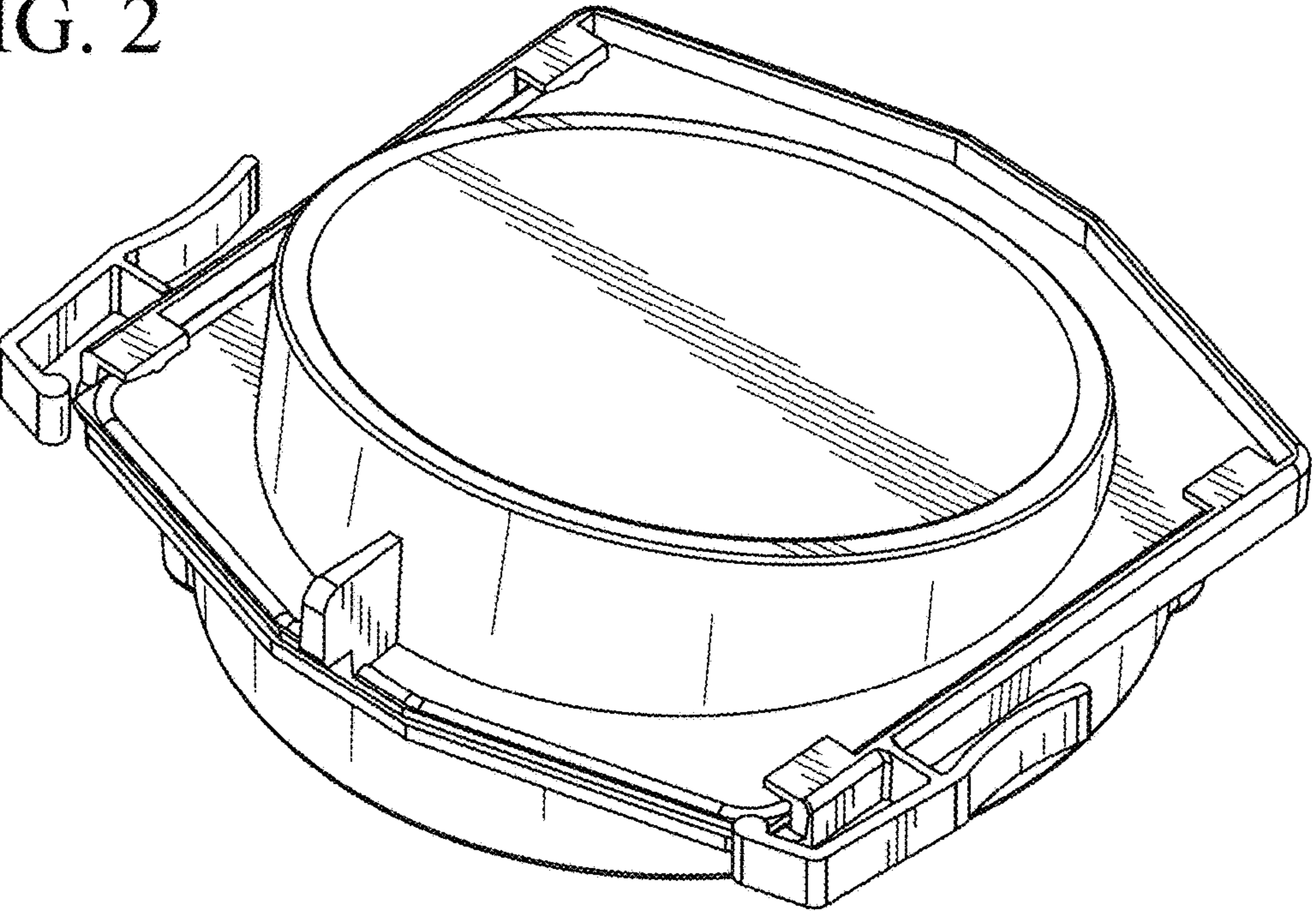


FIG. 3

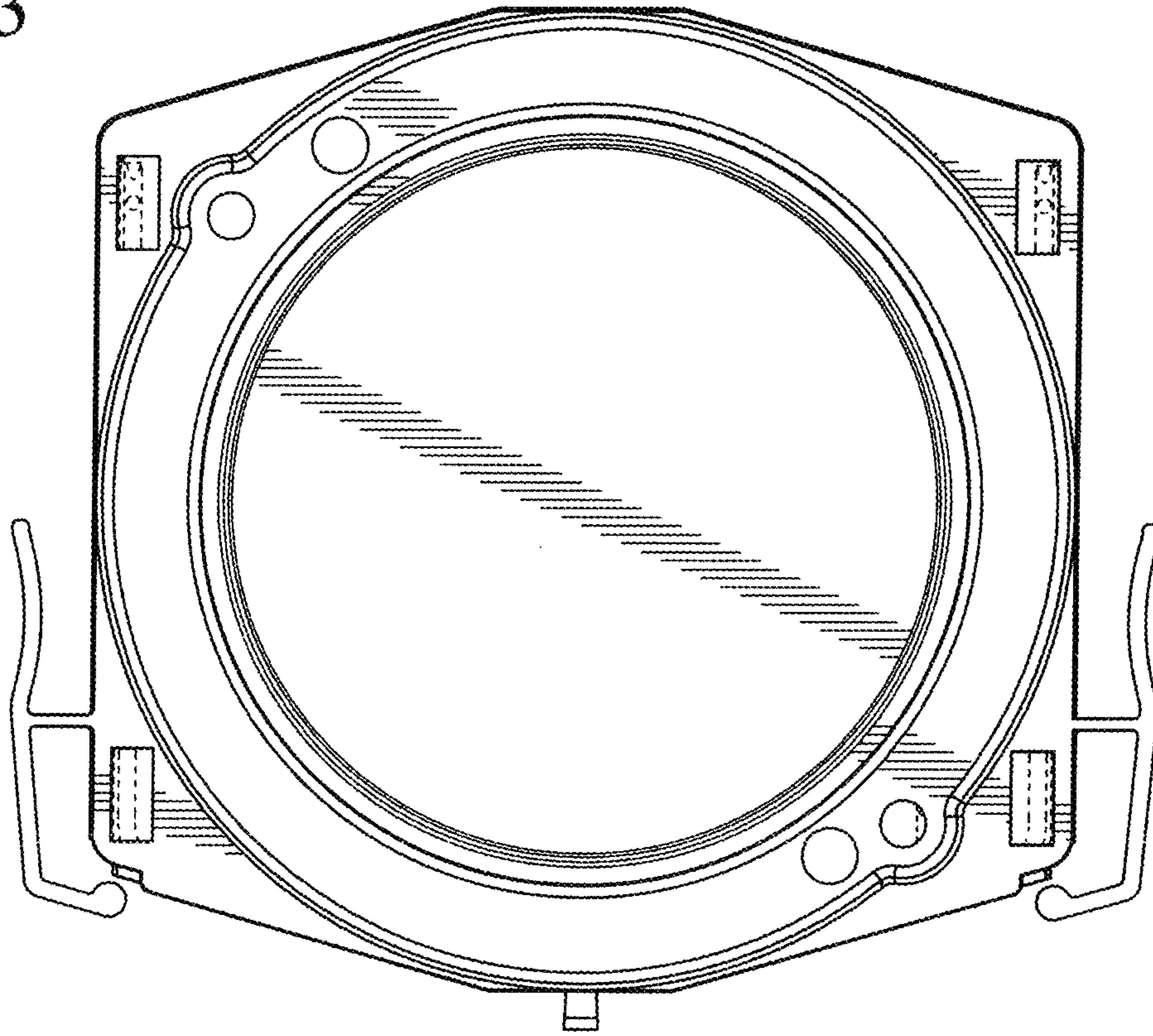
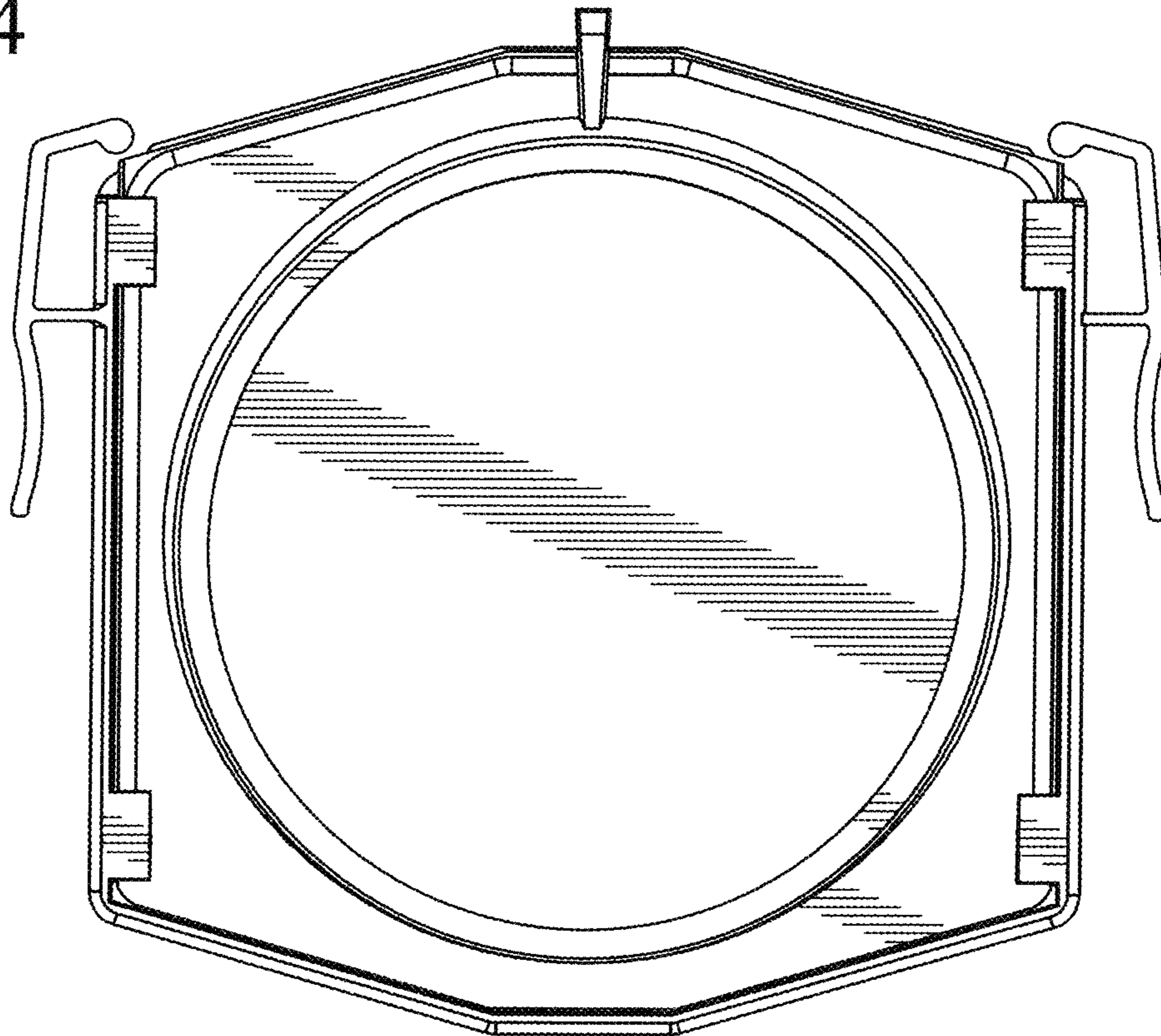


FIG. 4



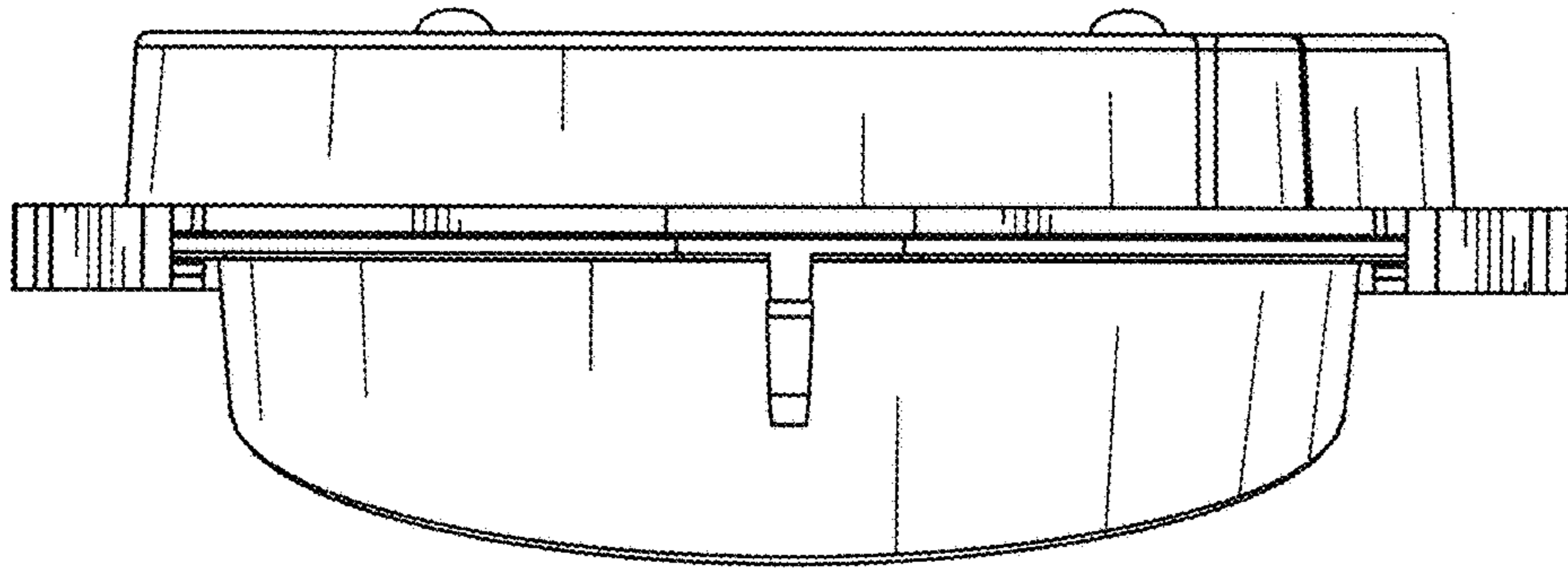


FIG. 5

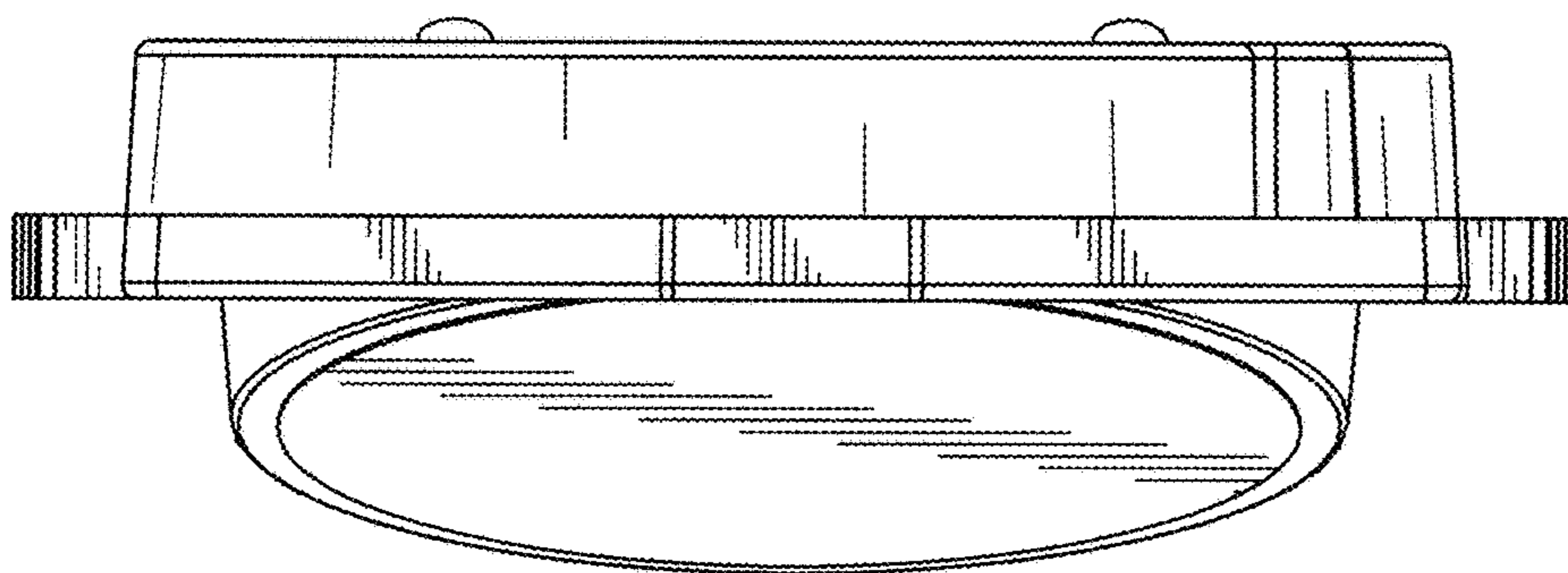


FIG. 6

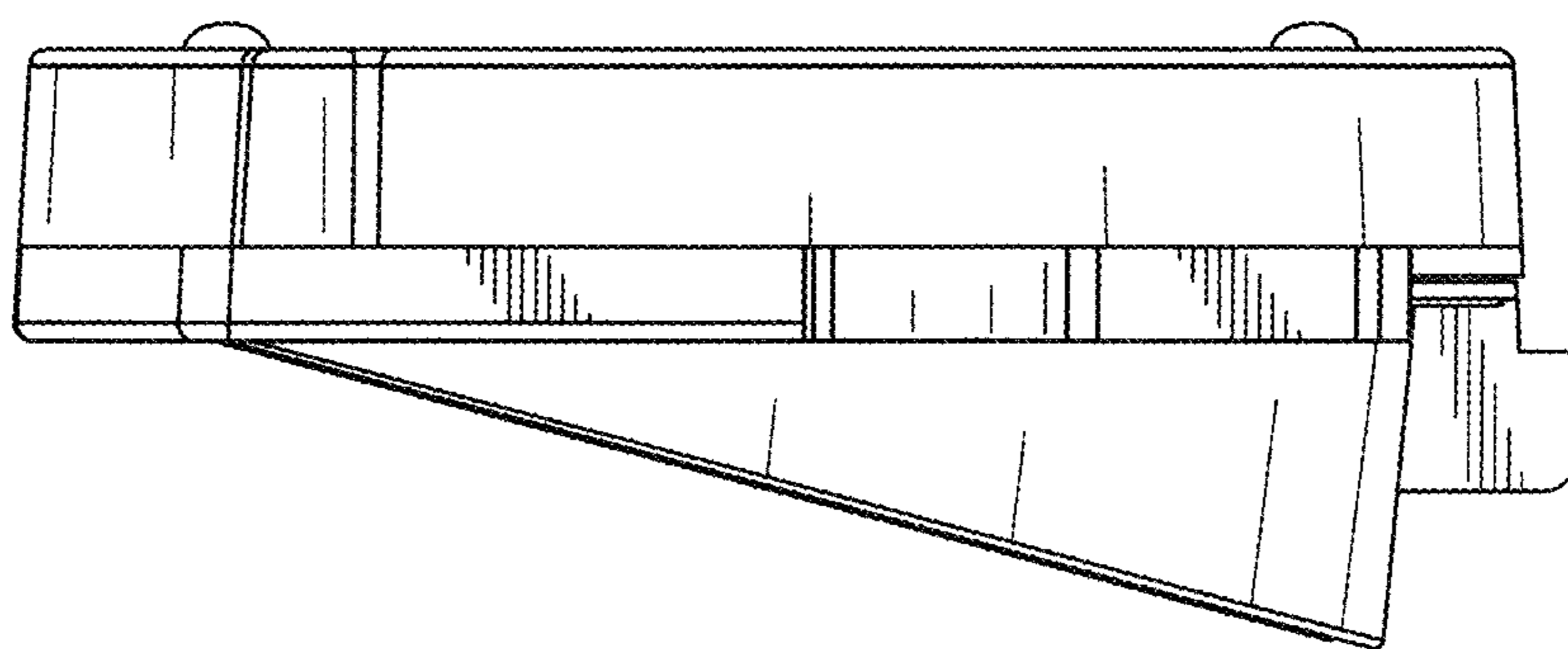


FIG. 7

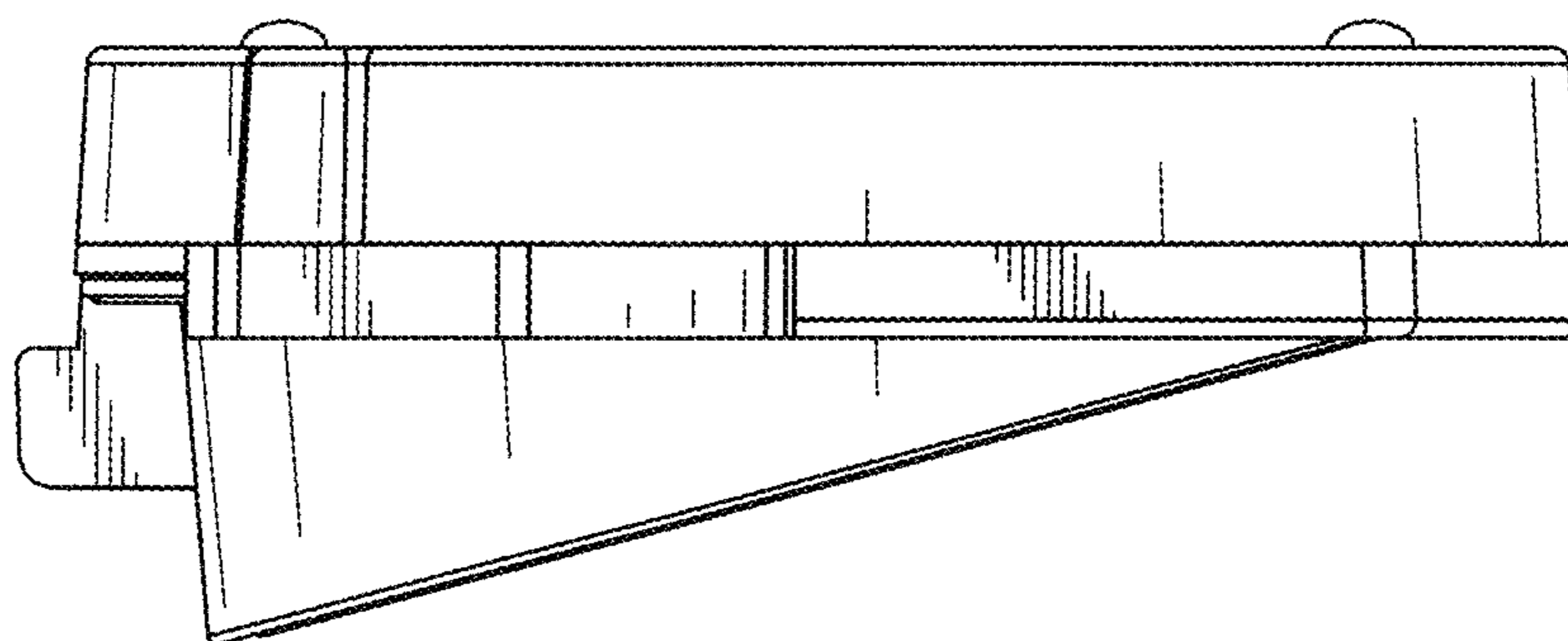


FIG. 8