



US00D840457S

(12) **United States Design Patent**  
**Geller et al.**

(10) **Patent No.:** **US D840,457 S**

(45) **Date of Patent:** **\*\* Feb. 12, 2019**

(54) **DRAPE RING**  
(71) Applicant: **Carl Zeiss Meditec AG**, Jena (DE)  
(72) Inventors: **Nadine Geller**, Koenigsbronn (DE);  
**Daniel Lindner**, Koenigsbronn (DE);  
**Frank Koenig**, Aalen (DE)  
(73) Assignee: **Carl Zeiss Meditec AG**, Jena (DE)  
(\*\*) Term: **15 Years**

6,026,244 A \* 2/2000 Tanaka ..... G02B 7/08  
359/699  
D435,586 S \* 12/2000 Kunihiro ..... D18/40  
6,270,266 B1 \* 8/2001 Fukuda ..... G03B 17/14  
396/529  
6,876,503 B1 \* 4/2005 Weaver ..... A61B 46/10  
359/510  
D505,147 S \* 5/2005 Koren ..... D16/136  
D649,993 S \* 12/2011 Ding ..... D16/134  
D721,750 S \* 1/2015 Teetzel ..... D16/136  
D723,078 S \* 2/2015 Nauli ..... D16/131  
D723,600 S \* 3/2015 Nauli ..... D16/131  
2004/0190140 A1 \* 9/2004 Bala ..... A61B 46/10  
359/510

(21) Appl. No.: **29/567,836**

(Continued)

(22) Filed: **Jun. 13, 2016**

*Primary Examiner* — Sandra S Snapp

*Assistant Examiner* — Holly E Thurman

(30) **Foreign Application Priority Data**

(74) *Attorney, Agent, or Firm* — Walter Ottesen, P.A.

Dec. 11, 2015 (EM) ..... 002907030

(51) **LOC (11) Cl.** ..... **16-06**

(57) **CLAIM**

(52) **U.S. Cl.**  
USPC ..... **D16/131**

The ornamental design for a drape ring, as shown and described.

(58) **Field of Classification Search**  
USPC ..... D16/130–136, 217, 218, 219, 245, 208  
CPC ..... G02B 7/00; G02B 7/026; G02B 7/0018;  
G03B 11/06; G03B 11/04  
See application file for complete search history.

**DESCRIPTION**

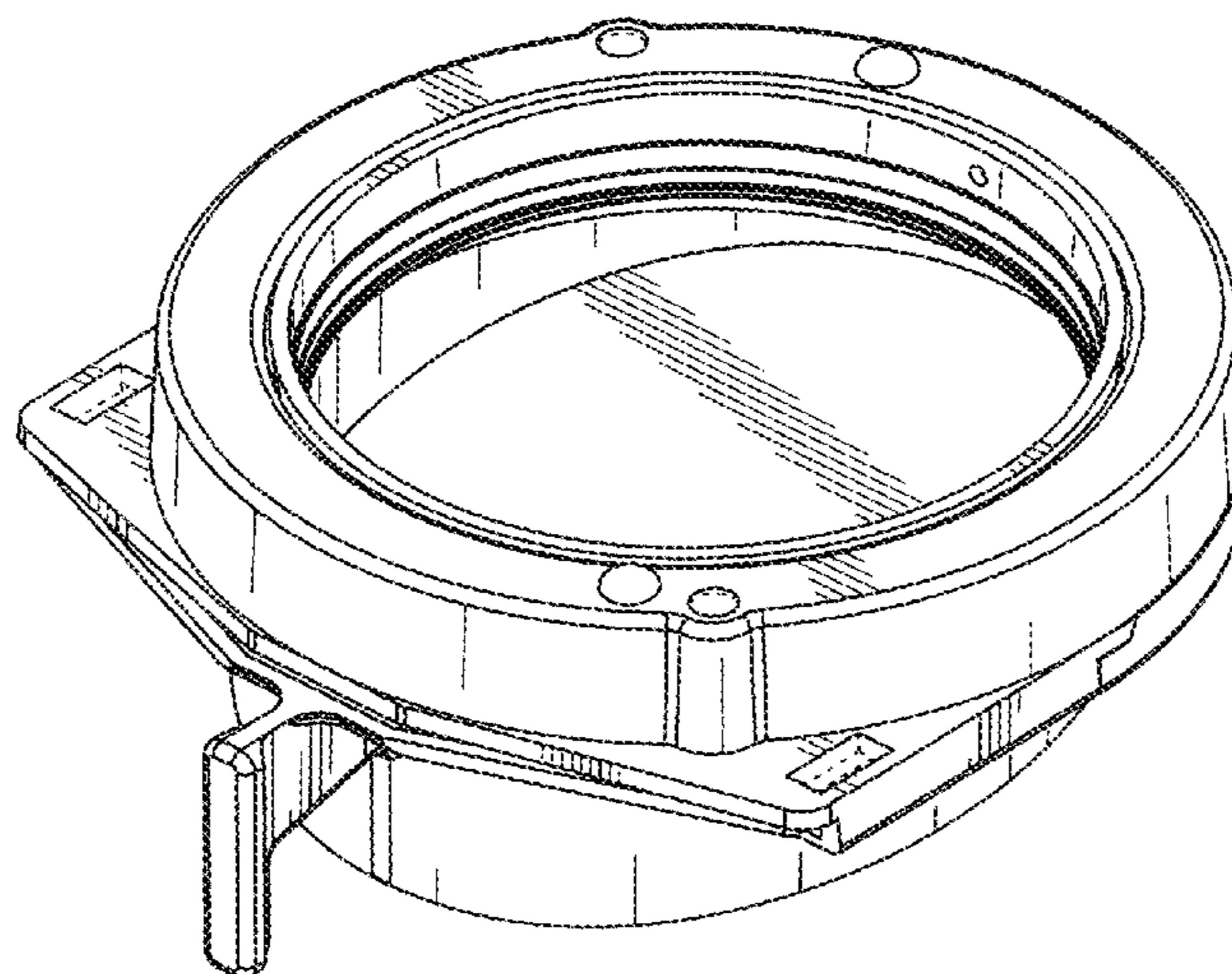
(56) **References Cited**

**U.S. PATENT DOCUMENTS**

D198,141 S \* 5/1964 Armbruster ..... D16/131  
D198,142 S \* 5/1964 Armbruster ..... D16/131  
D235,578 S \* 6/1975 Osaka ..... D16/136  
D252,833 S \* 9/1979 Bowser ..... D26/85  
4,307,950 A \* 12/1981 Suzuki ..... G03B 3/02  
359/826  
D339,599 S \* 9/1993 Tiffen ..... D16/219  
5,311,358 A \* 5/1994 Pederson ..... A61B 46/10  
206/316.1  
5,682,264 A \* 10/1997 Cleveland ..... A61B 46/10  
206/316.1

FIG. 1 is a top perspective view of a drape ring of our new design;  
FIG. 2 is a bottom perspective view of the drape ring of FIG. 1;  
FIG. 3 is a top plan view of the drape ring of FIG. 1;  
FIG. 4 is a bottom plan view of the drape ring of FIG. 1;  
FIG. 5 is a front elevation view of the drape ring of FIG. 1;  
FIG. 6 is a rear elevation view of the drape ring of FIG. 1;  
FIG. 7 is a left side elevation view of the drape ring of FIG. 1; and,  
FIG. 8 is a right side elevation view of the drape ring of FIG. 1.  
The broken lines depict portions of the drape ring and form no part of the claimed design.

**1 Claim, 4 Drawing Sheets**



(56)

**References Cited**

U.S. PATENT DOCUMENTS

2005/0094269 A1\* 5/2005 Moses ..... A61B 46/10  
359/510  
2005/0286130 A1\* 12/2005 Bala ..... G02B 7/001  
359/510  
2008/0144178 A1\* 6/2008 Dillon ..... A61B 46/10  
359/510  
2010/0238551 A1\* 9/2010 Hubbs ..... G02B 7/026  
359/510  
2017/0168292 A1\* 6/2017 Koenig ..... G02B 27/0006

\* cited by examiner

FIG. 1

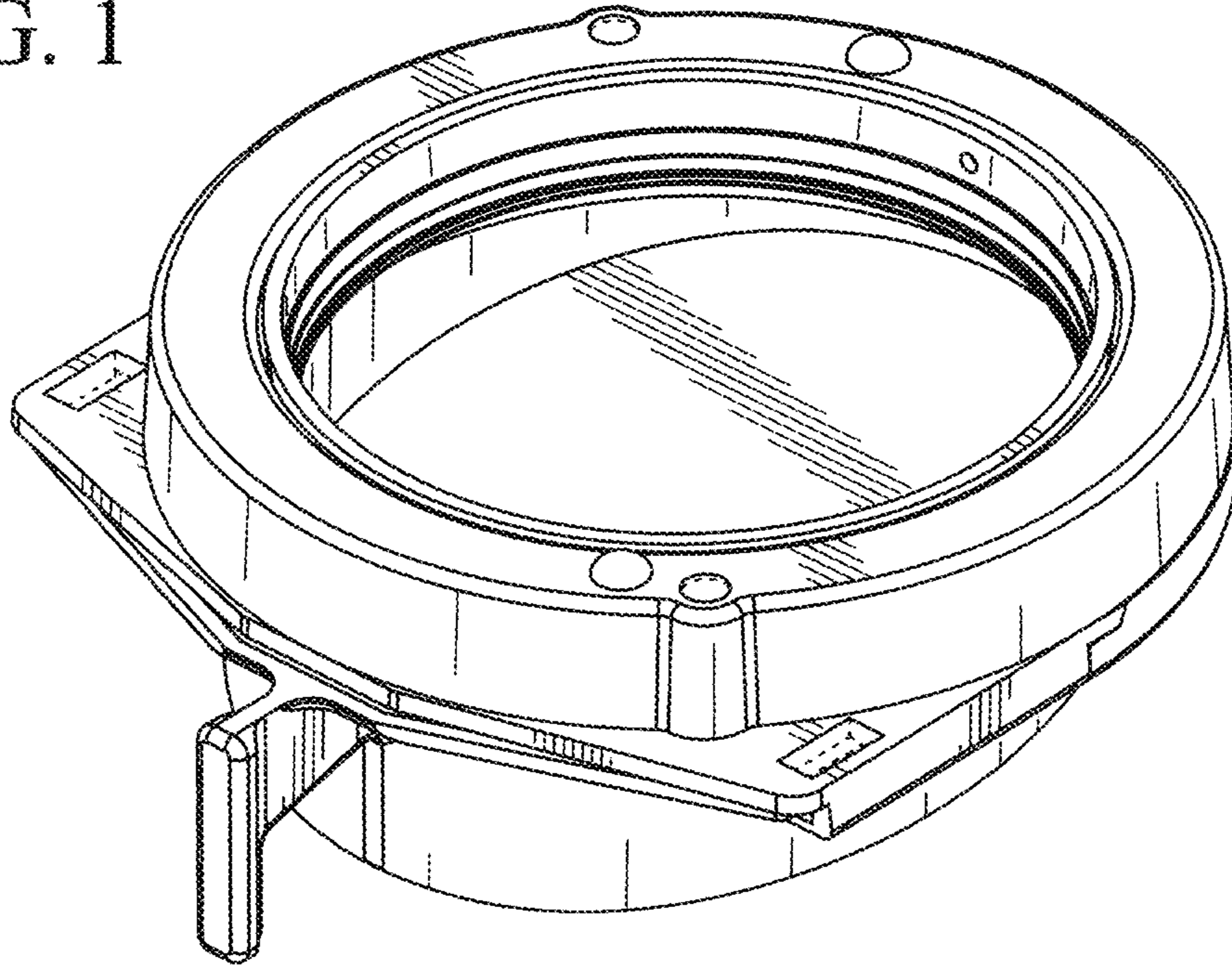
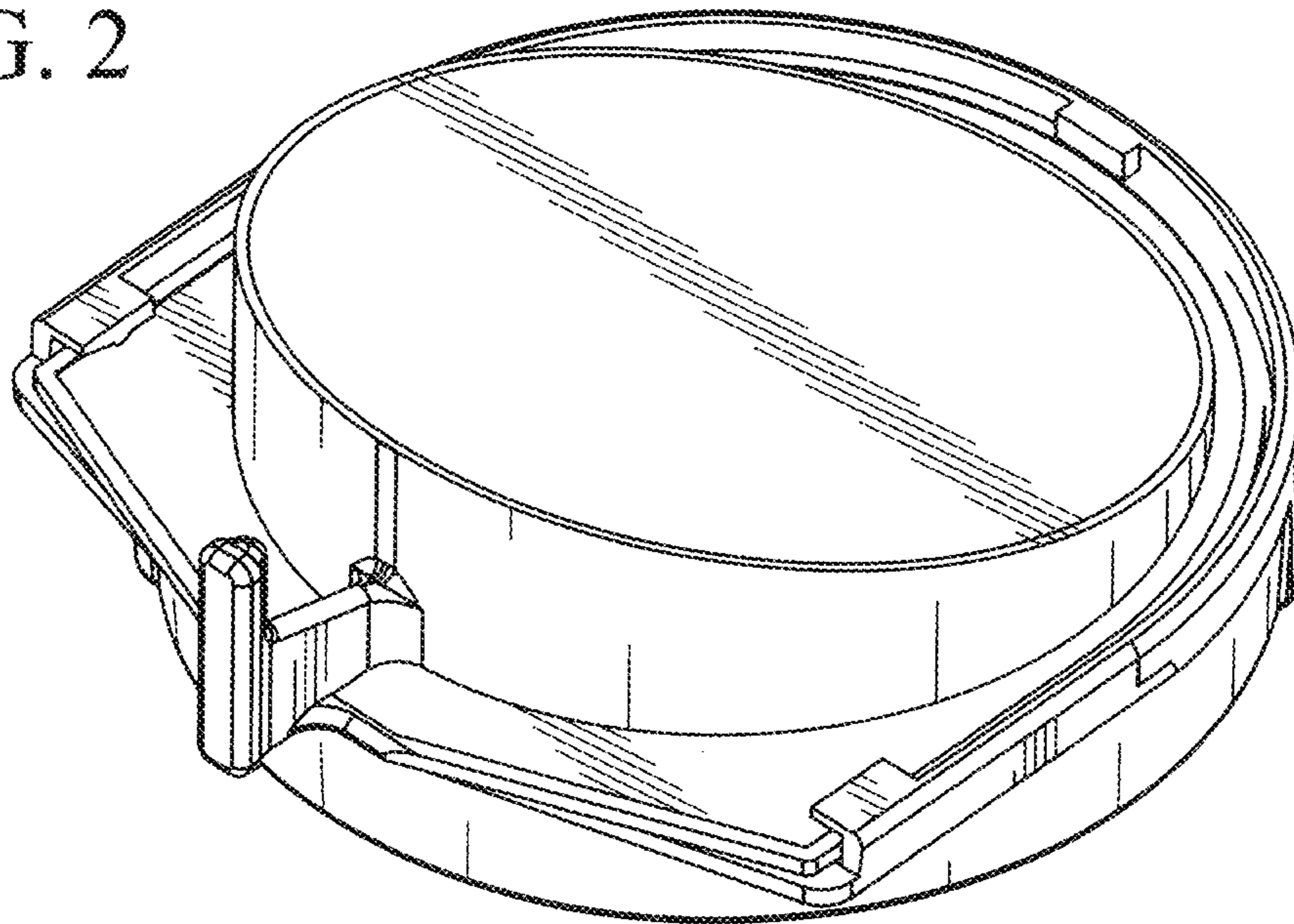


FIG. 2





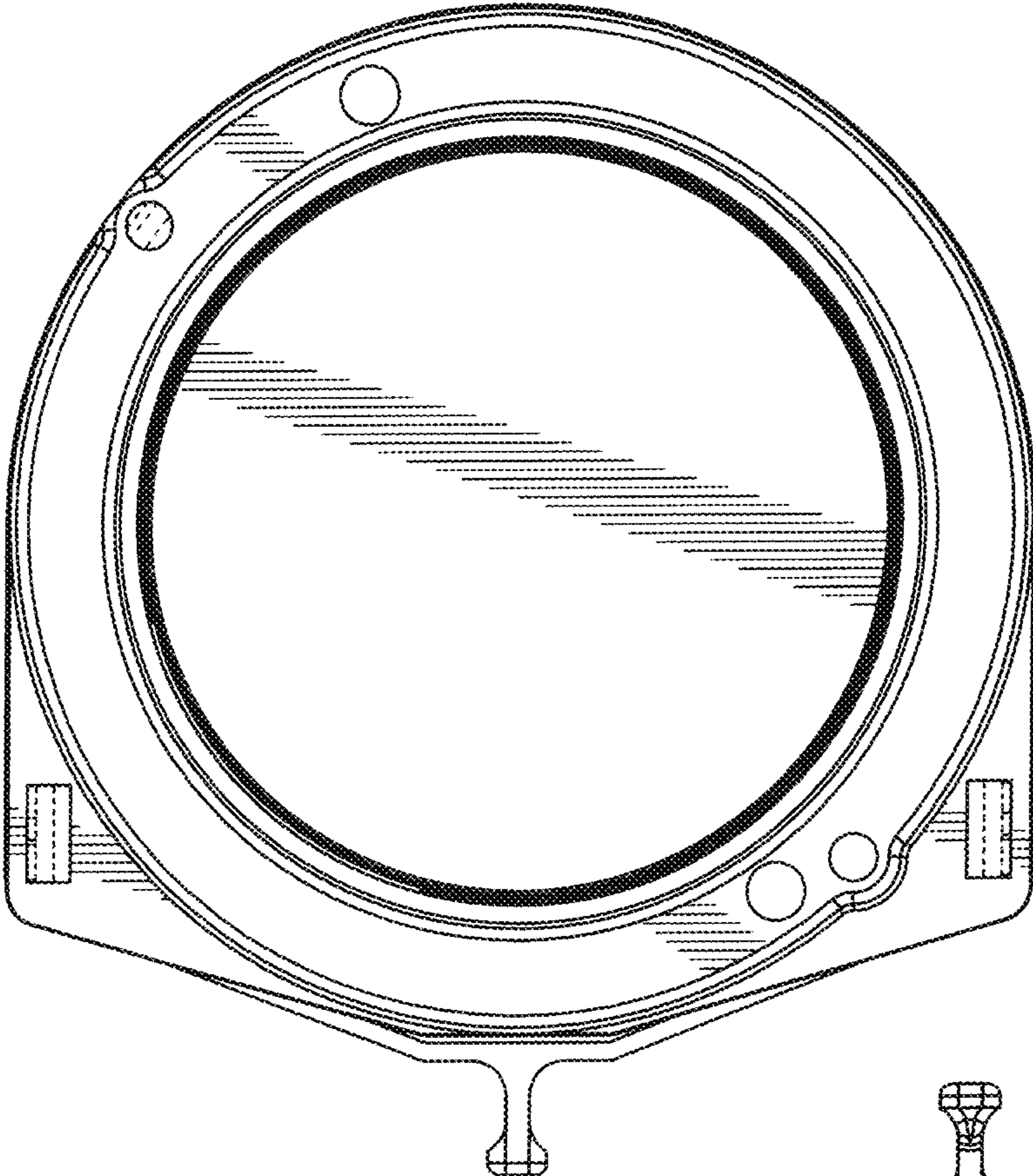


FIG. 3

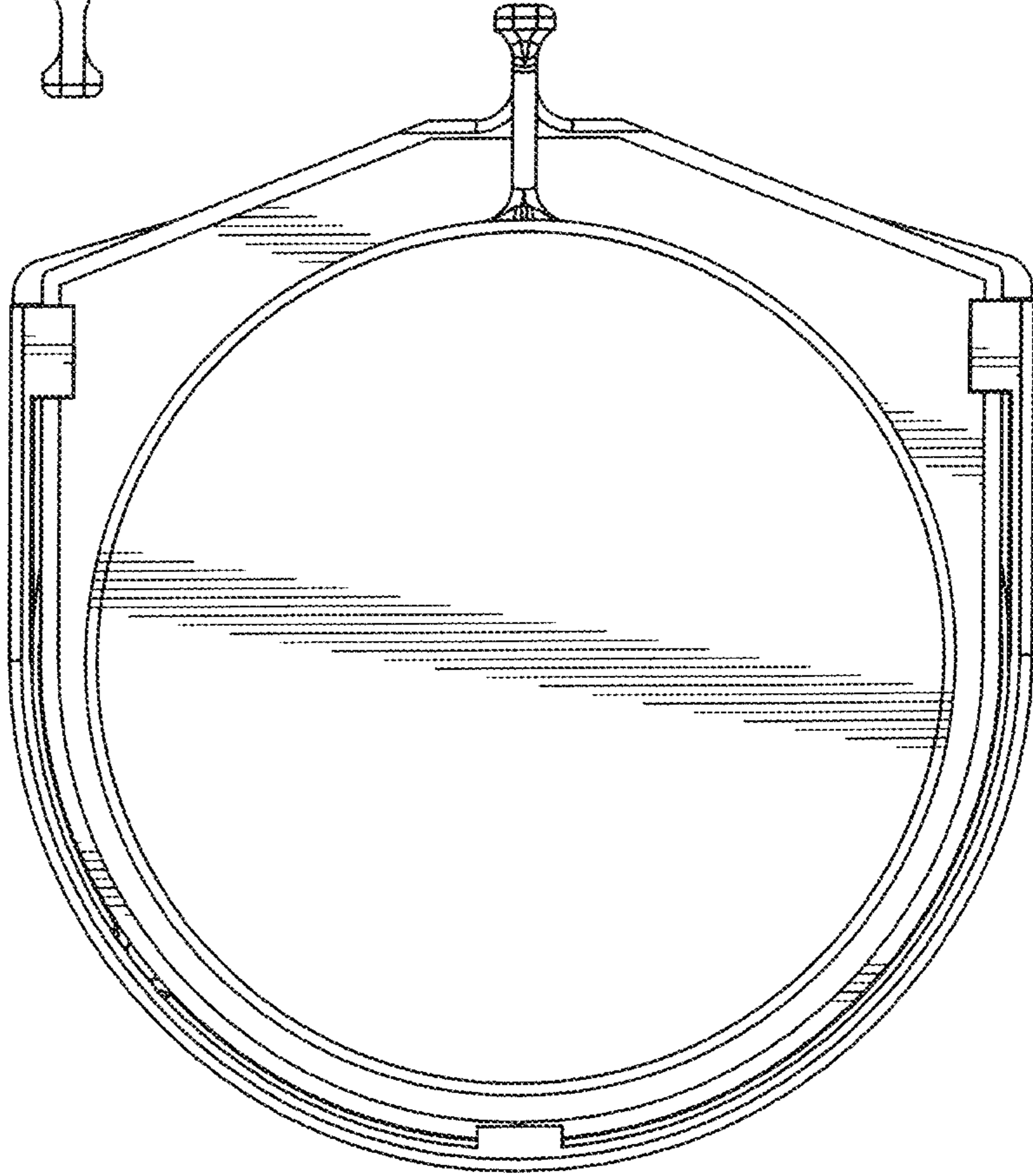


FIG. 4

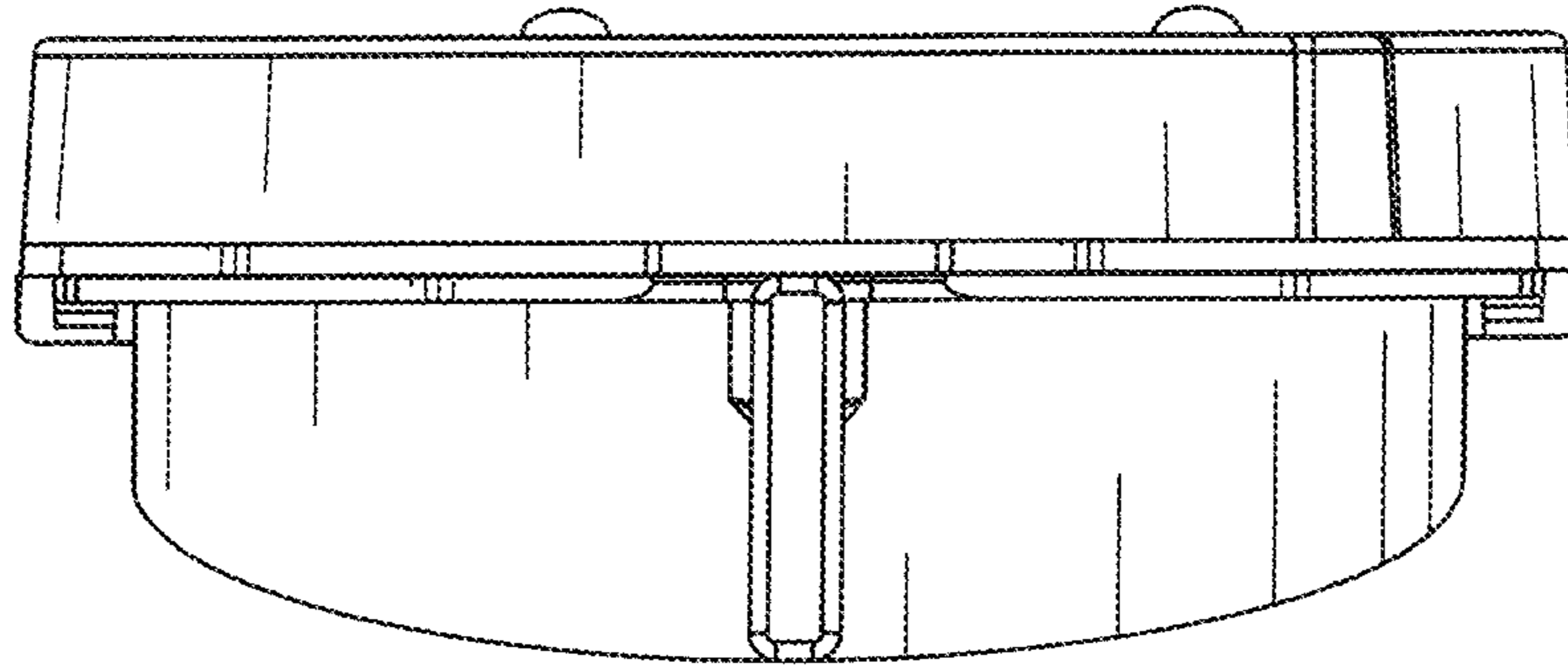


FIG. 5

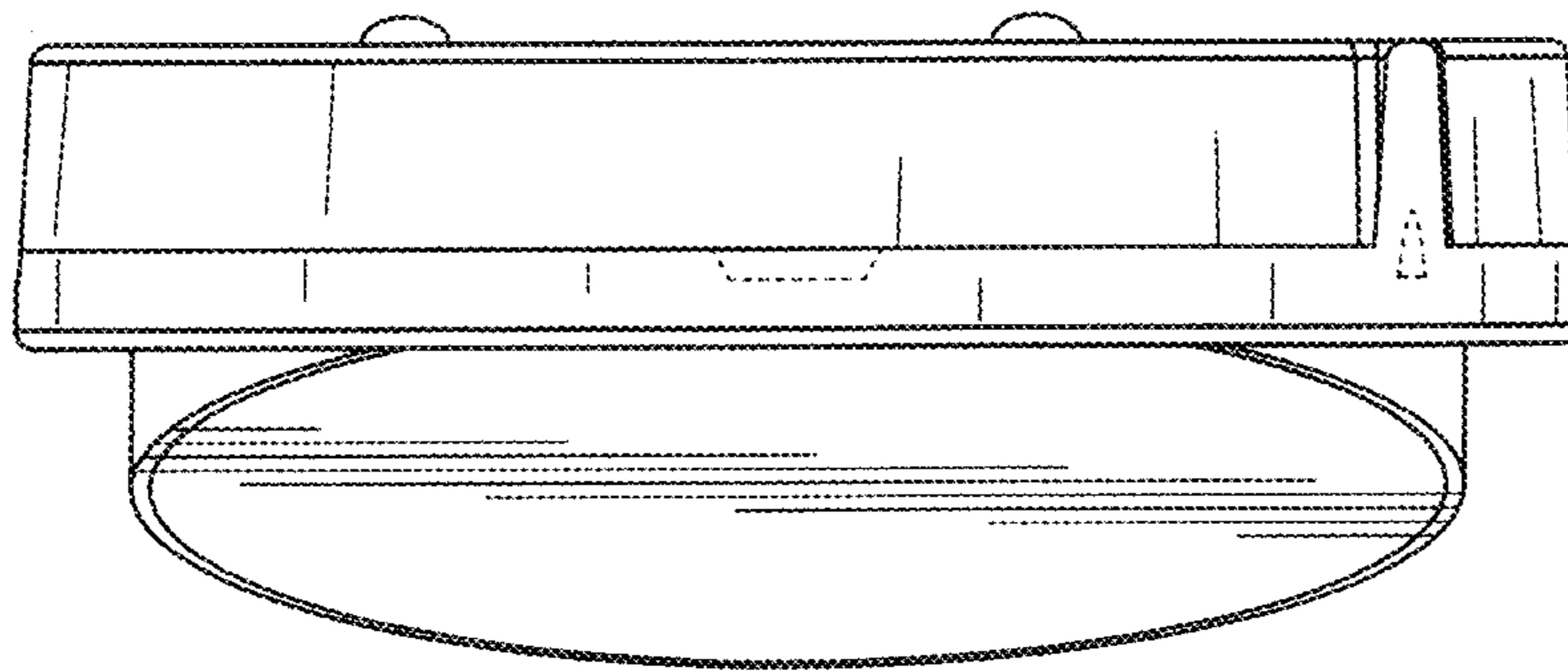


FIG. 6

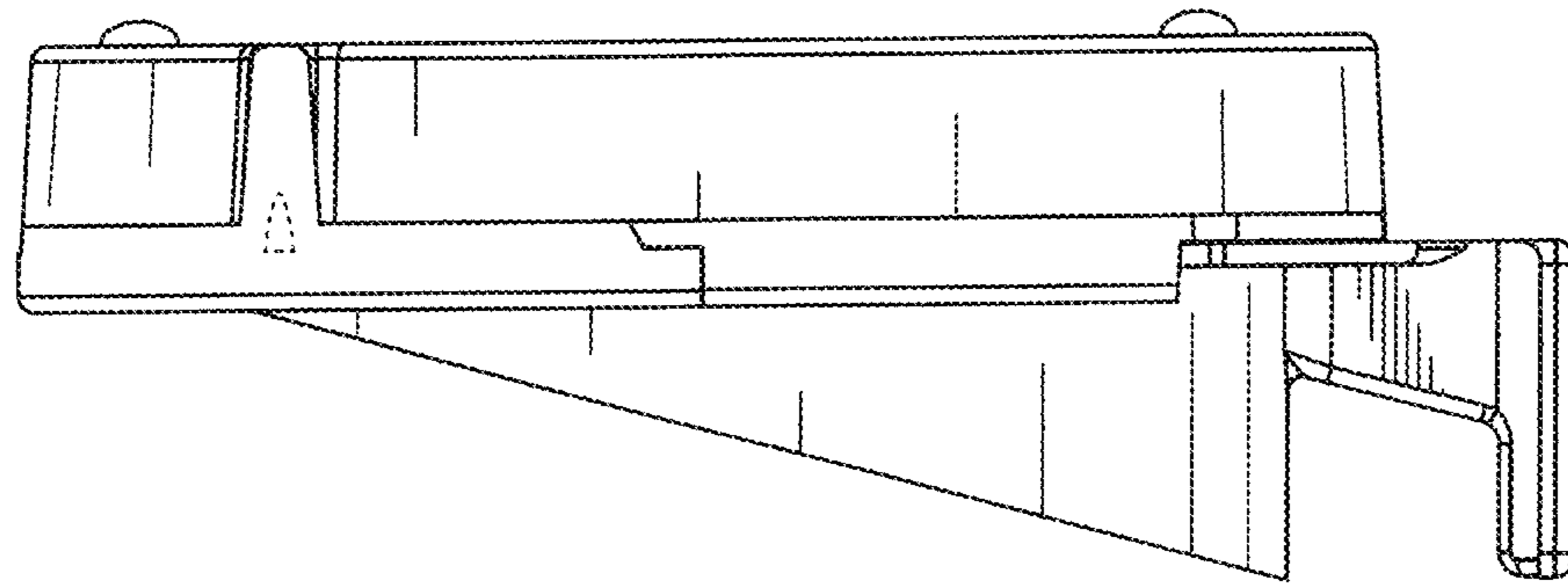


FIG. 7

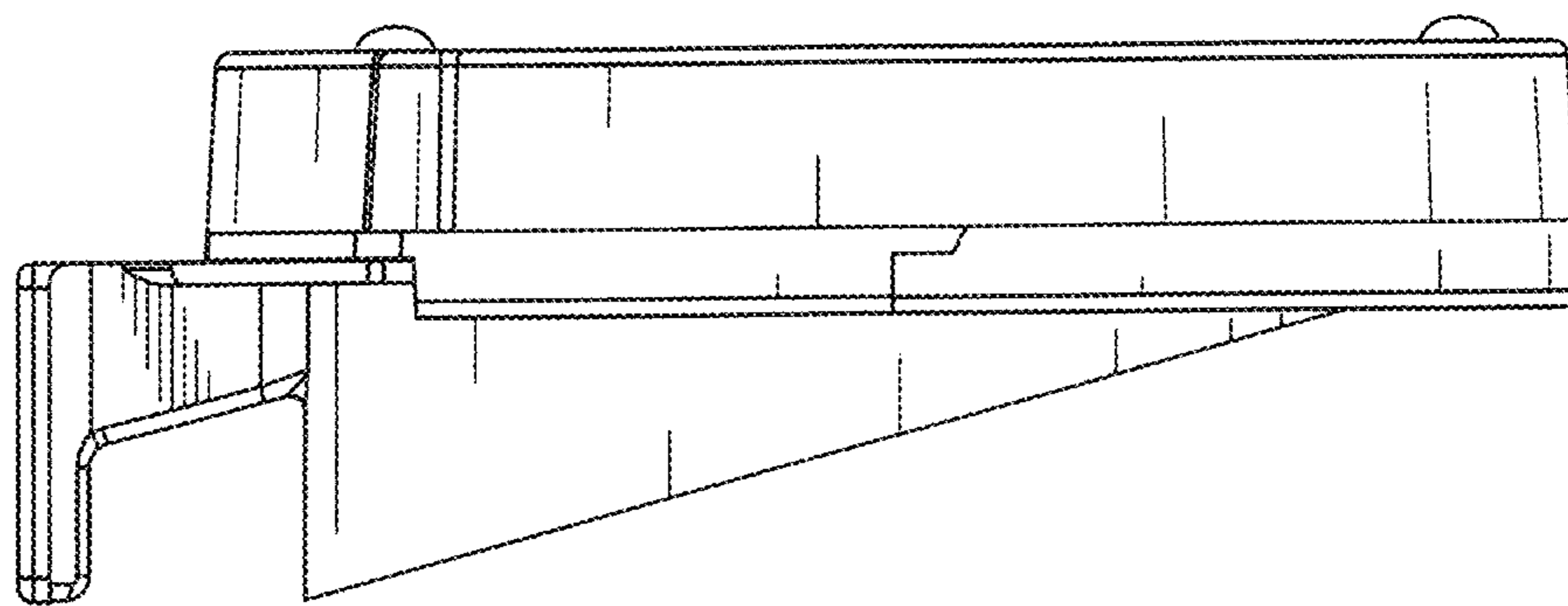


FIG. 8