

US00D840456S

(12) **United States Design Patent**
Hart

(10) **Patent No.:** **US D840,456 S**

(45) **Date of Patent:** **** Feb. 12, 2019**

(54) **MOUNTING FRAME**

(71) Applicant: **Bioptigen, Inc.**, Morrisville, NC (US)

(72) Inventor: **Robert H. Hart**, Cary, NC (US)

(73) Assignee: **Bioptigen, Inc.**, Morrisville, NC (US)

(**) Term: **15 Years**

(21) Appl. No.: **29/563,651**

(22) Filed: **May 6, 2016**

(51) **LOC (11) Cl.** **16-06**

(52) **U.S. Cl.**

USPC **D16/131**

(58) **Field of Classification Search**

USPC D16/130–136, 200, 202, 203, 218, 219;
D22/100, 108, 109, 110, 199

CPC F41G 3/08; G02B 21/004; G02B 21/008
See application file for complete search history.

(56) **References Cited**

U.S. PATENT DOCUMENTS

D274,691 S *	7/1984	Wallace	D8/336
D660,335 S *	5/2012	Nagakubo	D16/130
D678,379 S *	3/2013	O'Neill	D14/511
D692,472 S *	10/2013	Samuels	D16/136
D695,332 S *	12/2013	O'Neill	D16/237
D697,958 S *	1/2014	O'Neill	D16/134
D698,000 S *	1/2014	Beckett	D22/109
D723,601 S *	3/2015	O'Neill	D16/134
D727,385 S *	4/2015	O'Neill	D16/134
D727,868 S *	4/2015	O'Neill	D14/134
D754,228 S *	4/2016	O'Neill	D16/130
D761,896 S *	7/2016	O'Neill	D16/130

D806,822 S *	1/2018	Bengtsson	D22/110
D806,823 S *	1/2018	Bengtsson	D22/110
2007/0280677 A1 *	12/2007	Drake	G02B 7/02 396/429

* cited by examiner

Primary Examiner — Mark A Goodwin

Assistant Examiner — Benjamin M Weeks

(74) *Attorney, Agent, or Firm* — Ward and Smith, P.A.

(57) **CLAIM**

The ornamental design for mounting frame, as shown and described.

DESCRIPTION

FIG. 1 is a perspective view of the mounting frame showing my design;

FIG. 2 is a first side view thereof;

FIG. 3 is a second side view thereof, opposite that shown in FIG. 2;

FIG. 4 is another side view thereof, 90 degrees offset from that shown in FIG. 2;

FIG. 5 is another side view thereof, opposite that shown in FIG. 4;

FIG. 6 is a top view of the mounting frame;

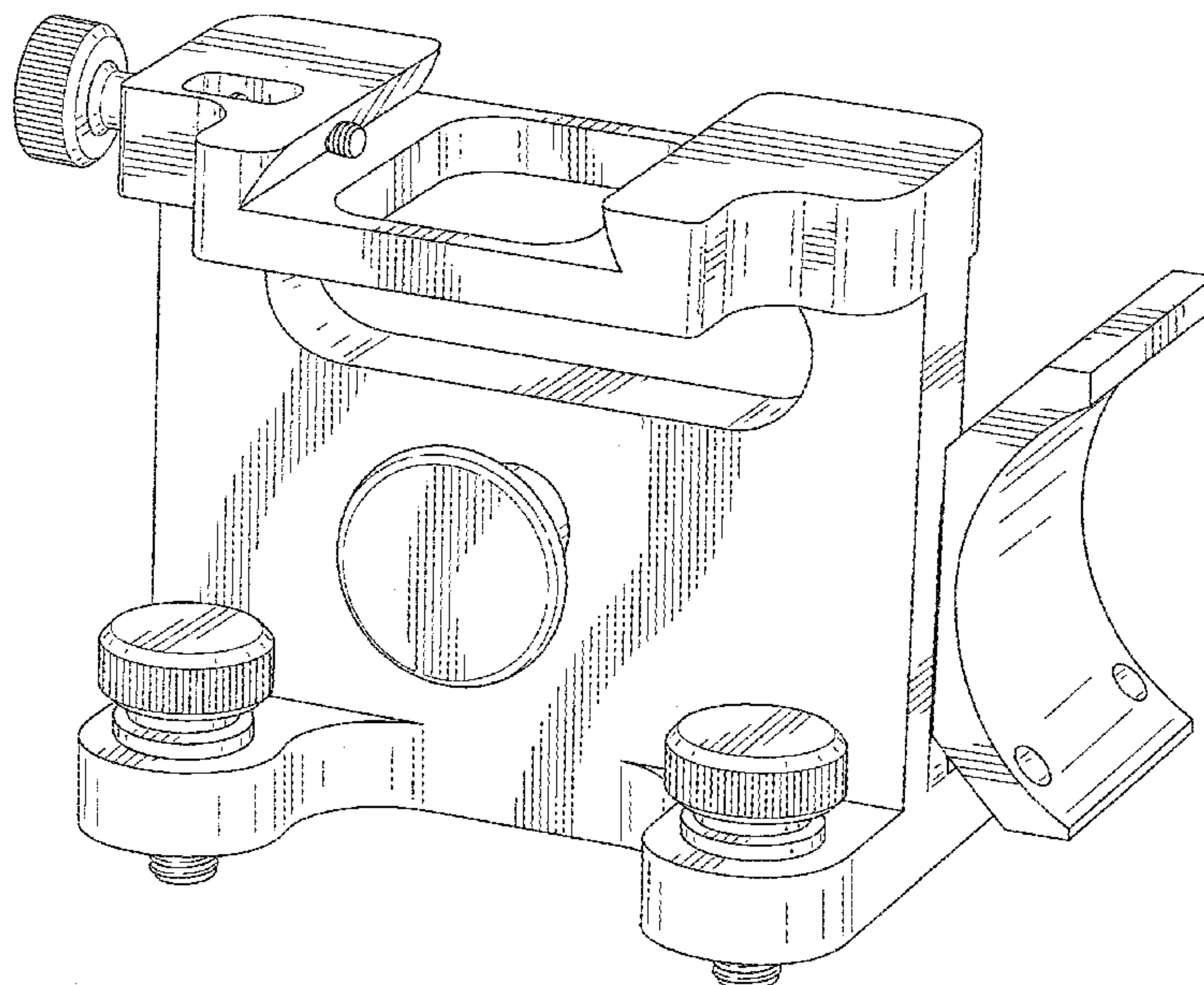
FIG. 7 is a bottom view thereof;

FIG. 8 is an exemplary plan view illustrating the mounting frame attached to a base plate of a microscope according to embodiments of the present invention; and,

FIG. 9 is an exemplary plan view illustrating the mounting frame attached to a retinal viewing system on a microscope according to embodiments of the present invention.

The broken lines shown herein are for illustrative purposes only and form no part of the claimed design.

1 Claim, 9 Drawing Sheets



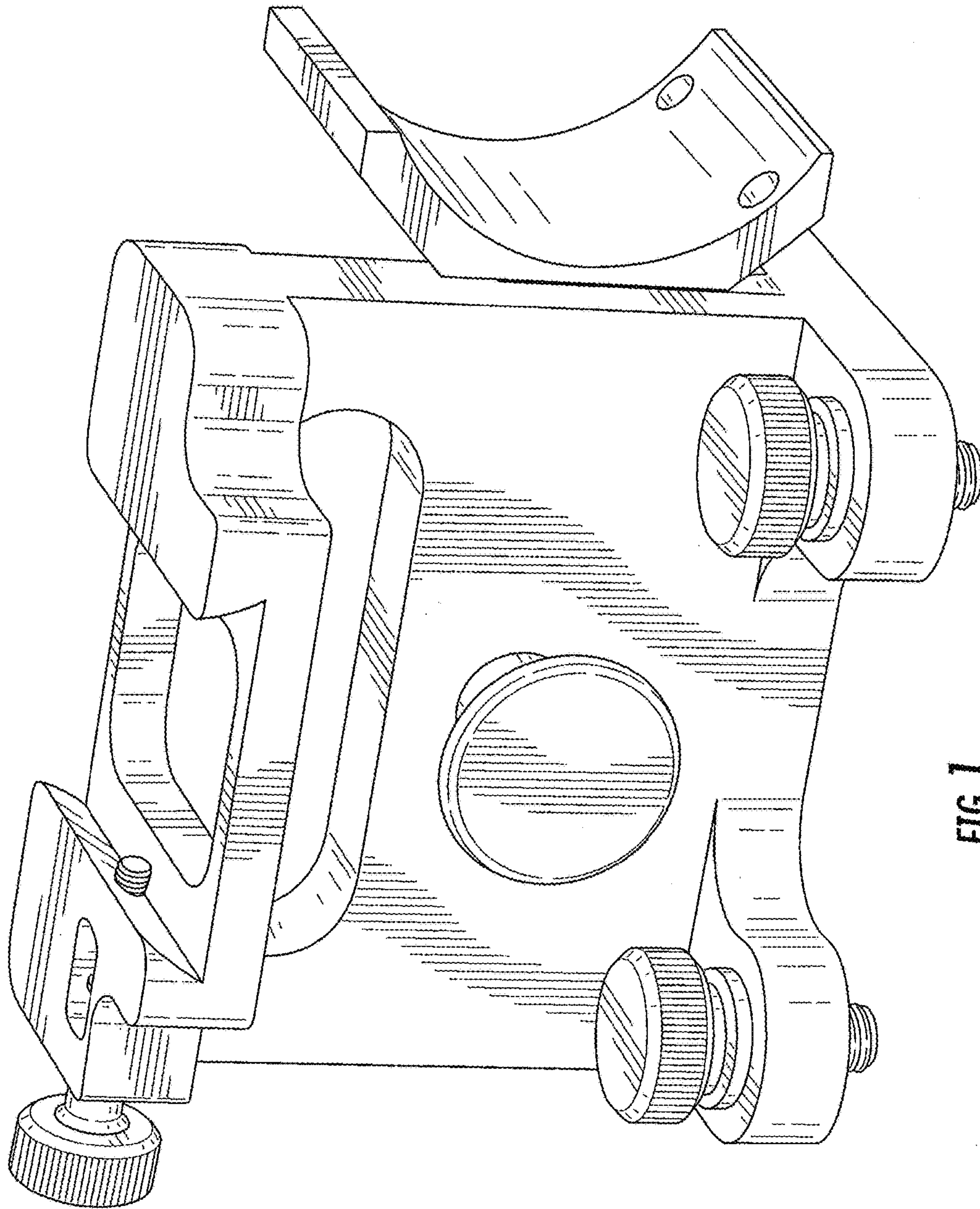


FIG. 1

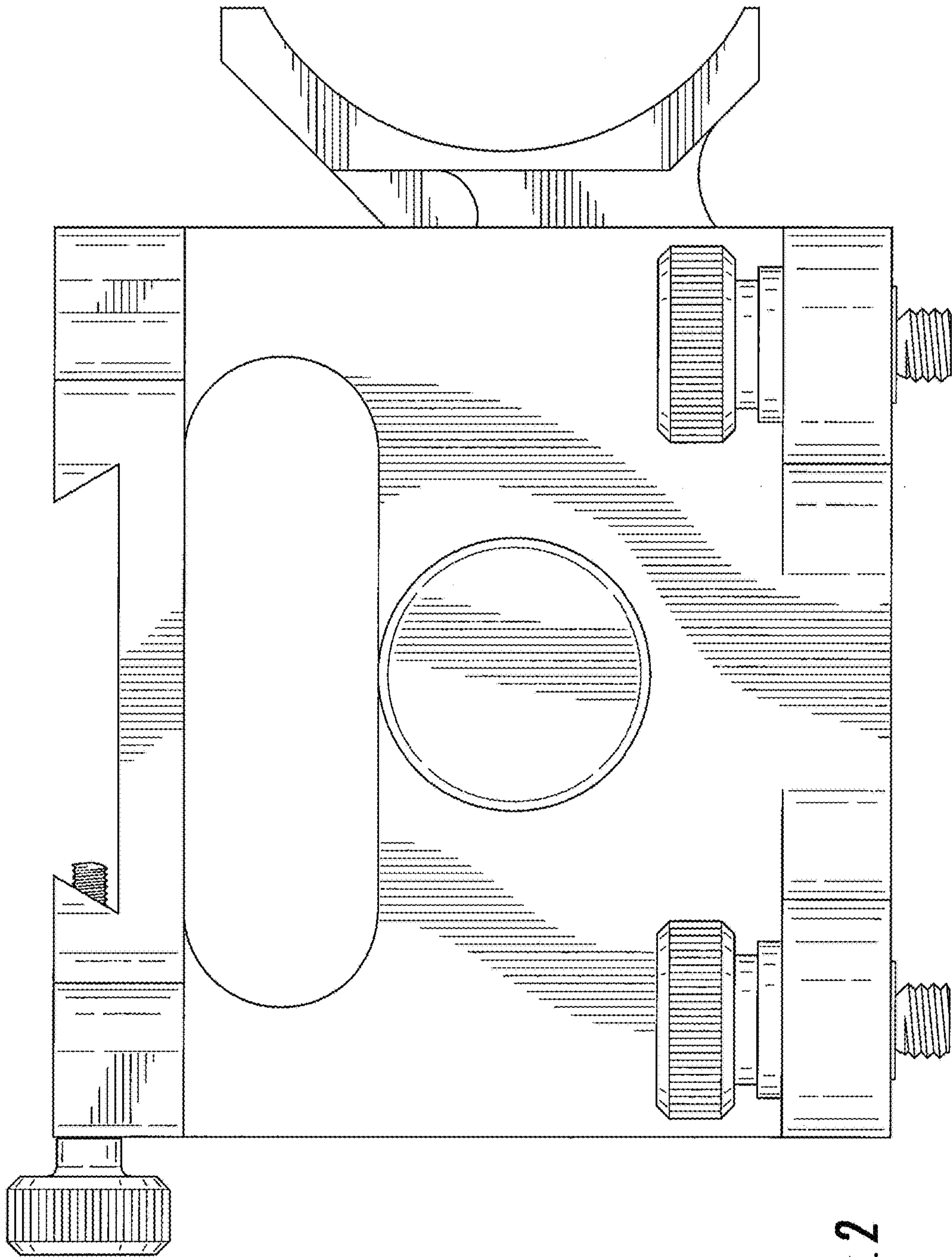


FIG. 2

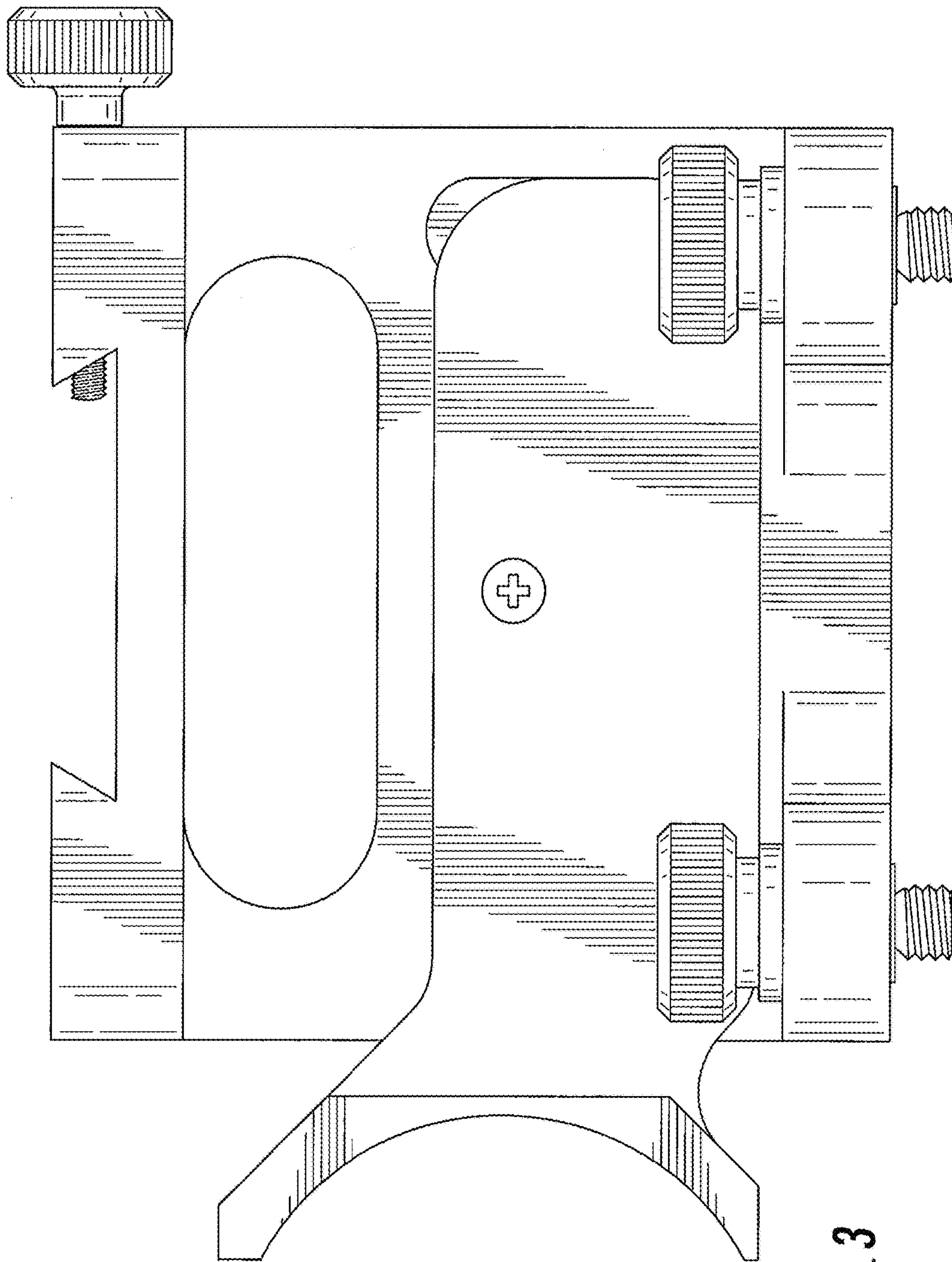


FIG. 3

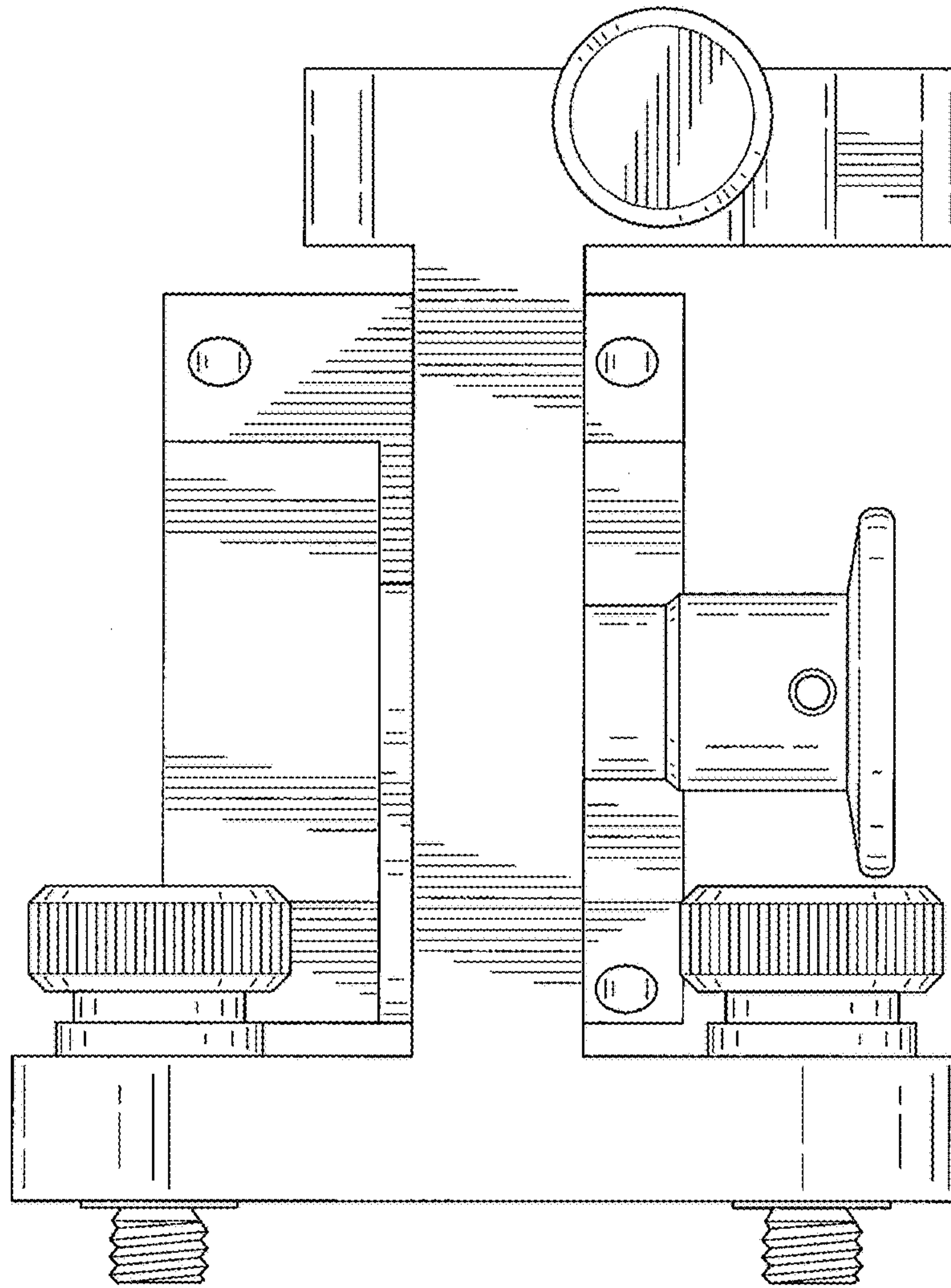


FIG. 4

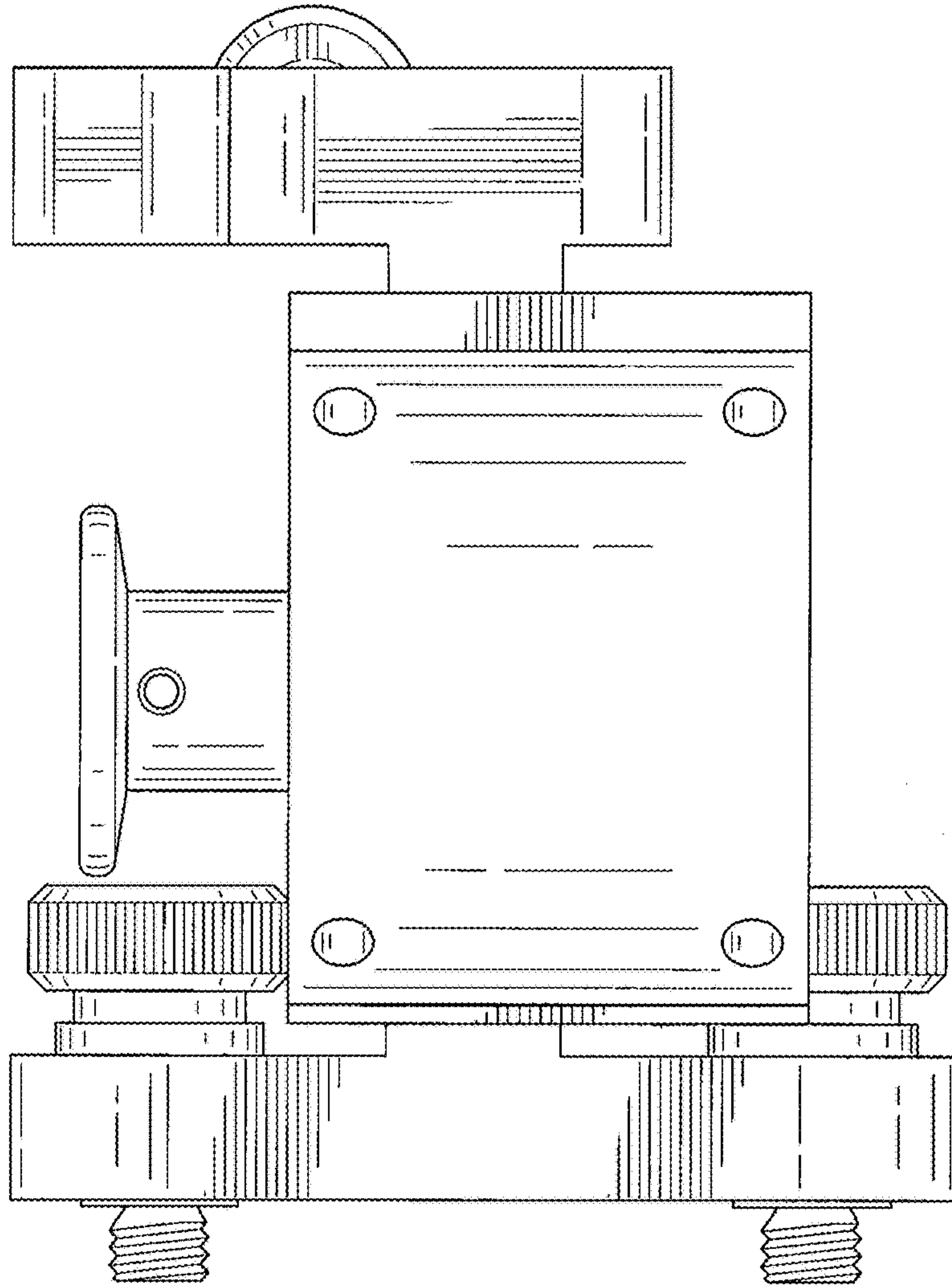


FIG. 5

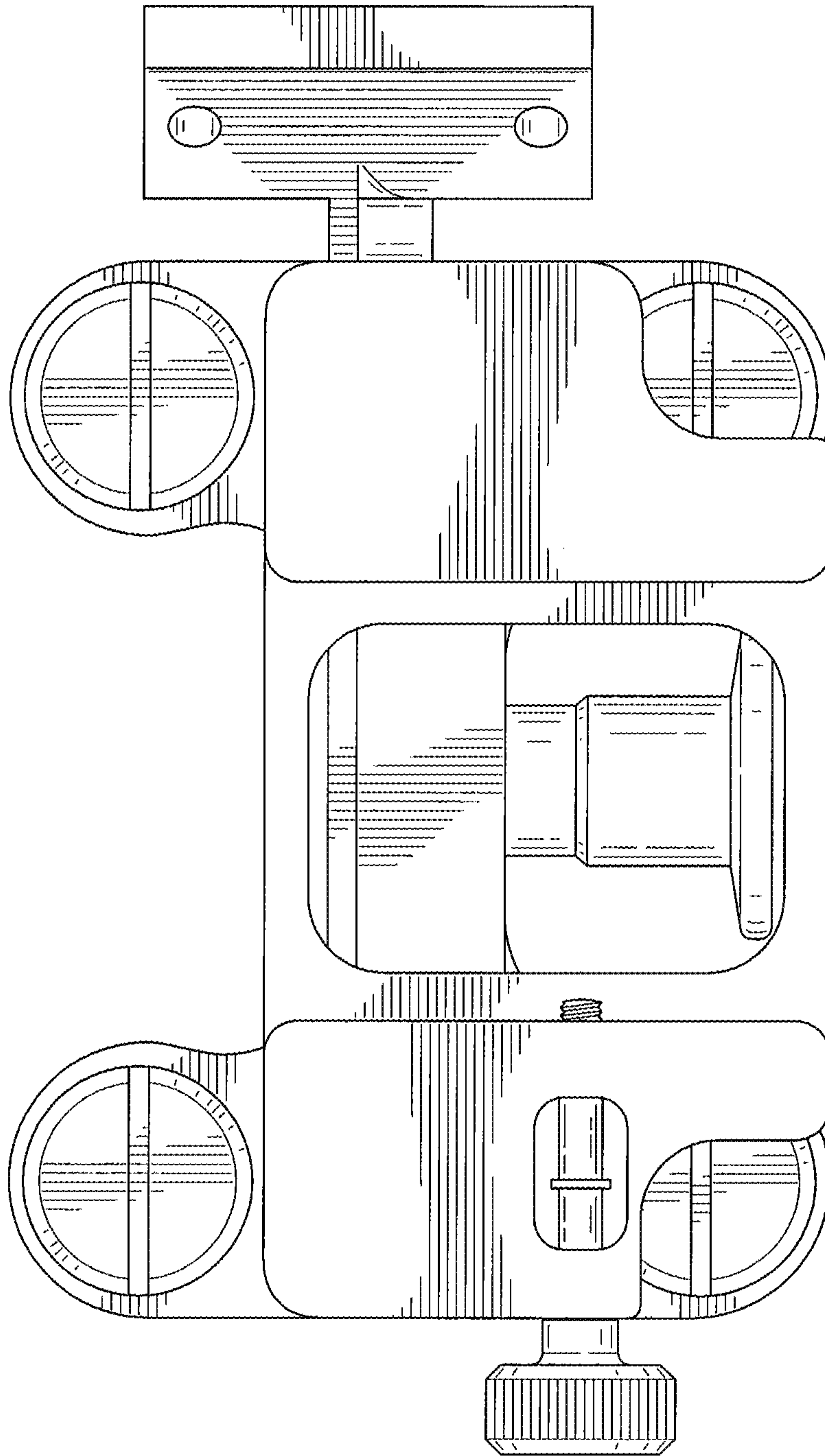


FIG. 6

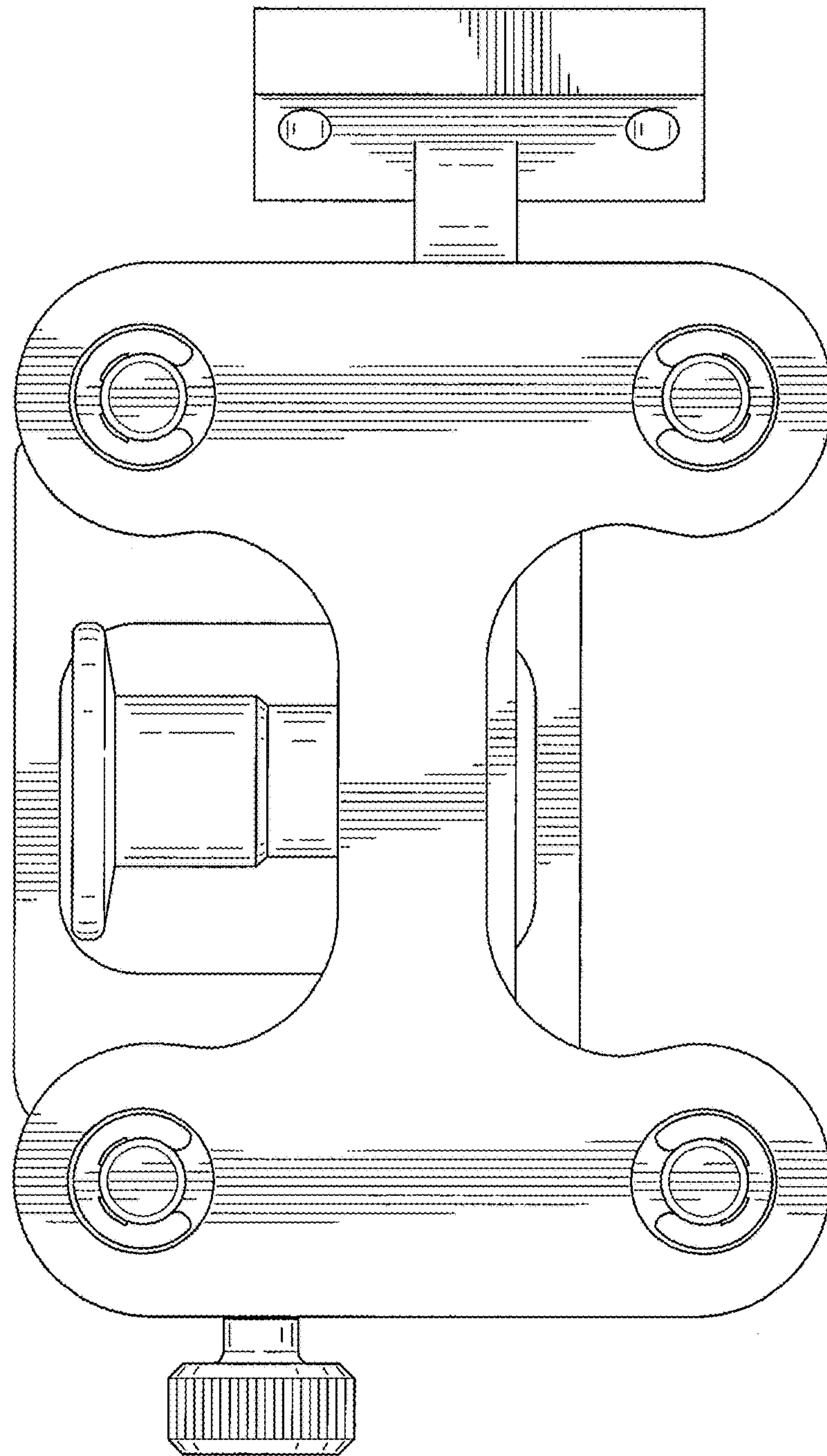


FIG. 7

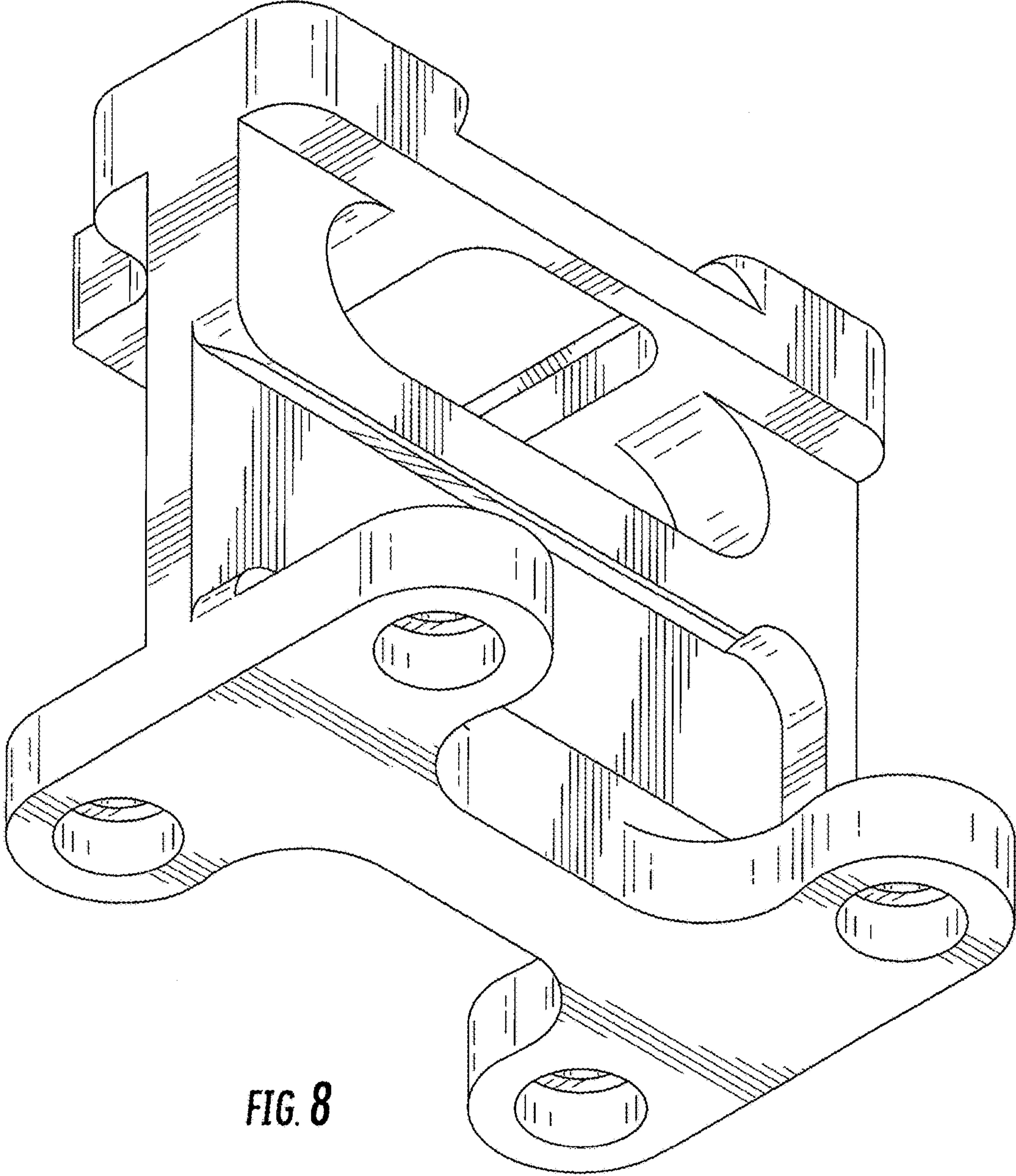


FIG. 8

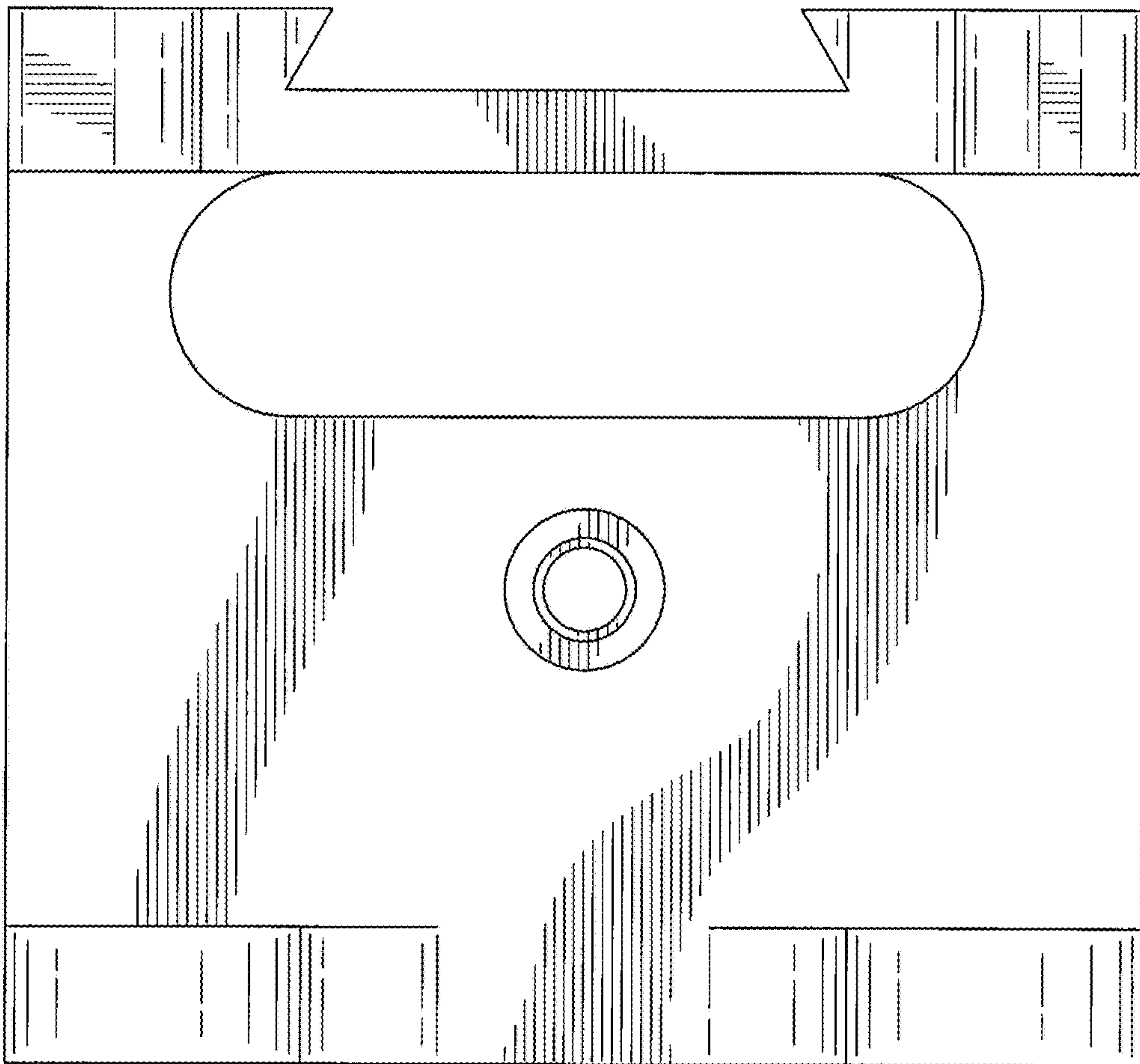


FIG. 9

UNITED STATES PATENT AND TRADEMARK OFFICE
CERTIFICATE OF CORRECTION

PATENT NO. : D840,456 S
APPLICATION NO. : 29/563651
DATED : February 12, 2019
INVENTOR(S) : Robert H. Hart

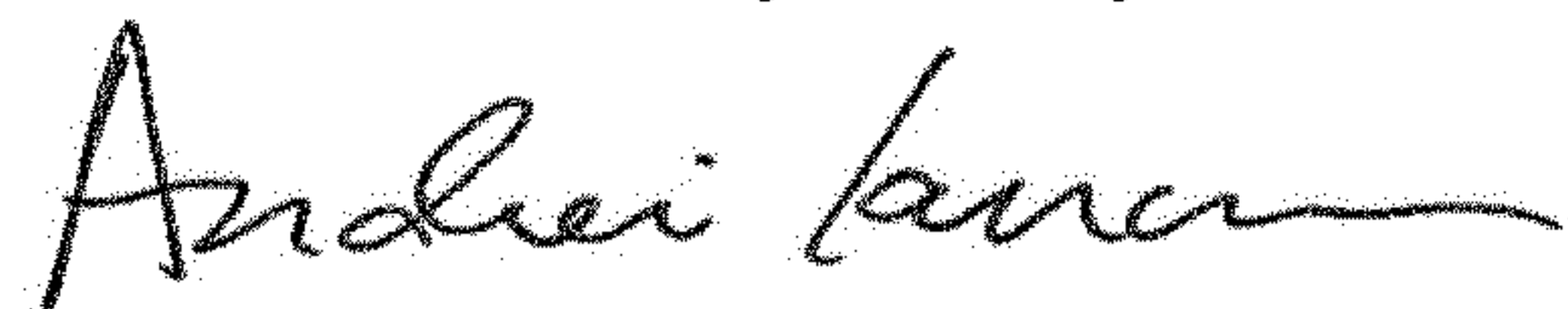
Page 1 of 3

It is certified that error appears in the above-identified patent and that said Letters Patent is hereby corrected as shown below:

In the Drawings

Please replace FIGS. 8 and 9 with FIGS. 8 and 9 as shown on the attached pages.

Signed and Sealed this
Sixteenth Day of July, 2019



Andrei Iancu
Director of the United States Patent and Trademark Office

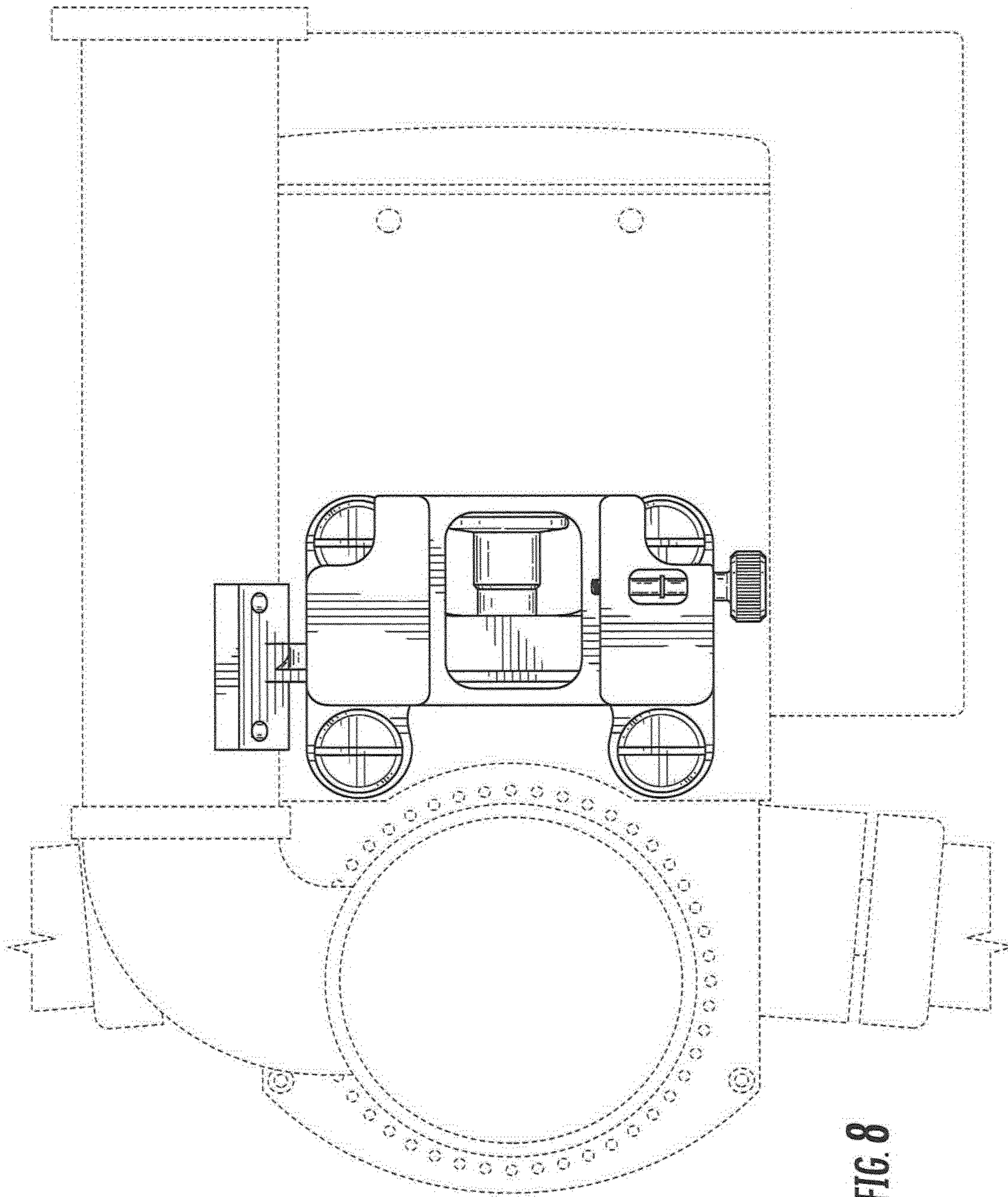


FIG. 8

