



US00D840455S

(12) **United States Design Patent**
Lider et al.

(10) **Patent No.:** **US D840,455 S**

(45) **Date of Patent:** **** Feb. 12, 2019**

- (54) **LASER LIGHT SOURCE**
- (71) Applicant: **FUJIFILM SonoSite, Inc.**, Bothell, WA (US)
- (72) Inventors: **Matthew Lider**, Bellevue, WA (US); **Ben Dekock**, Seabeck, WA (US); **Patrick Nally**, Seattle, WA (US); **Tyler Dawson**, Seattle, WA (US)
- (73) Assignee: **FUJIFILM SONOSITE, INC.**, Bothell, WA (US)
- (**) Term: **15 Years**
- (21) Appl. No.: **29/609,915**
- (22) Filed: **Jul. 6, 2017**
- (51) **LOC (11) Cl.** **16-99**
- (52) **U.S. Cl.**
USPC **D16/130**
- (58) **Field of Classification Search**
USPC D14/137; D16/130, 132, 133, 134, 135, D16/202, 310, 140
CPC G02B 21/0004; G02B 21/22; G02B 21/24; G02B 21/06
See application file for complete search history.

- D468,757 S * 1/2003 Stapleton D16/130
- D472,255 S * 3/2003 Stapleton D16/130
- D491,594 S * 6/2004 Senda D16/202
- D636,007 S * 4/2011 Peng D16/202
- D636,424 S * 4/2011 Lin D16/202
- D700,924 S * 3/2014 Sasaki D16/202
- D733,780 S * 7/2015 Chen D16/202
- D802,644 S * 11/2017 Lee D16/202
- D814,543 S * 4/2018 Oshima D16/202

* cited by examiner

Primary Examiner — Mark A Goodwin

Assistant Examiner — Benjamin M Weeks

(74) *Attorney, Agent, or Firm* — Womble Bond Dickinson (US) LLP

(57) **CLAIM**

The ornamental design for a laser light source, as shown and described.

DESCRIPTION

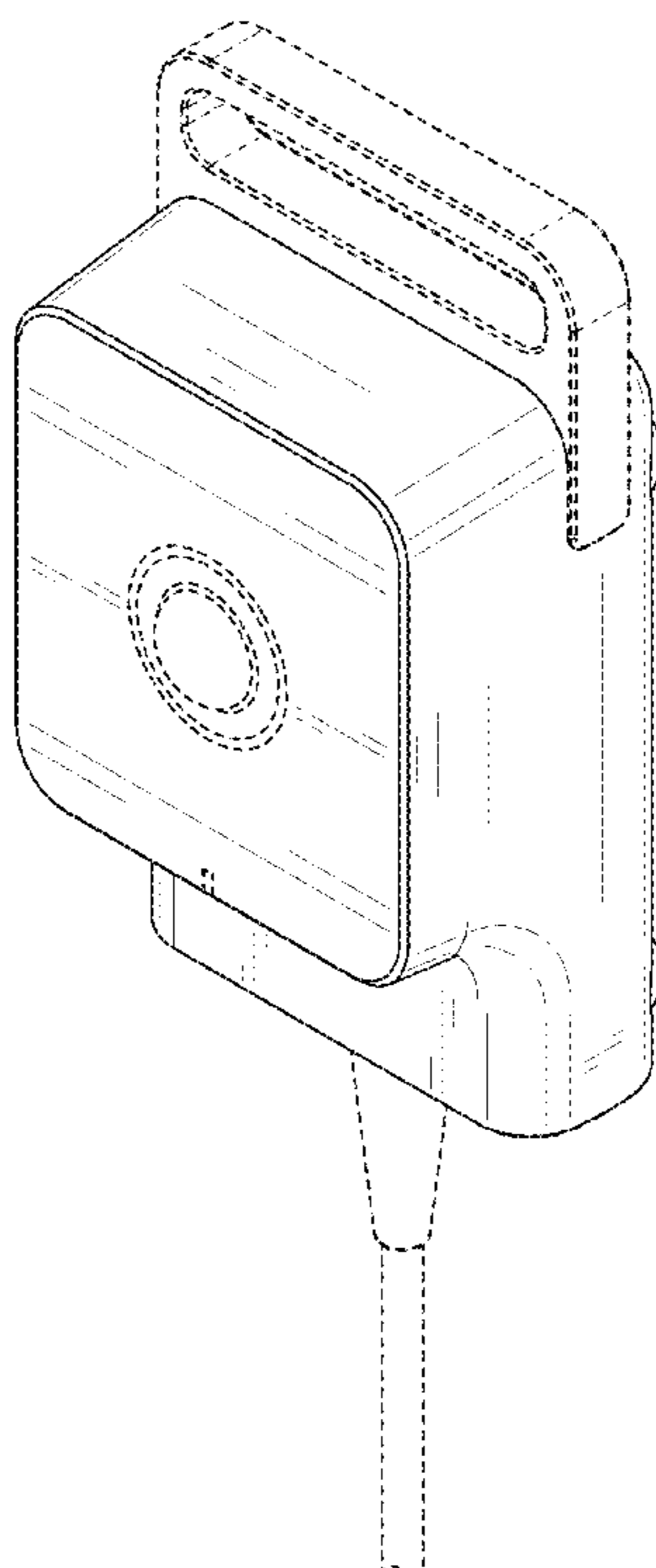
FIG. 1 is an isometric view of a laser light source; FIG. 2 is an front view thereof; FIG. 3 is a bottom plan view thereof; FIG. 4 is a left side view thereof; FIG. 5 is a right side view thereof. FIG. 6 is a top side view thereof; and, FIG. 7 is a bottom side view thereof.

The broken lines showing the arrangement of certain features of the device are for illustrative purposes only. The broken lines are environmental and form no part of the claimed design.

(56) **References Cited**
U.S. PATENT DOCUMENTS

- D419,160 S * 1/2000 Davidson D14/137
- D430,147 S * 8/2000 Willkens D14/137

1 Claim, 6 Drawing Sheets



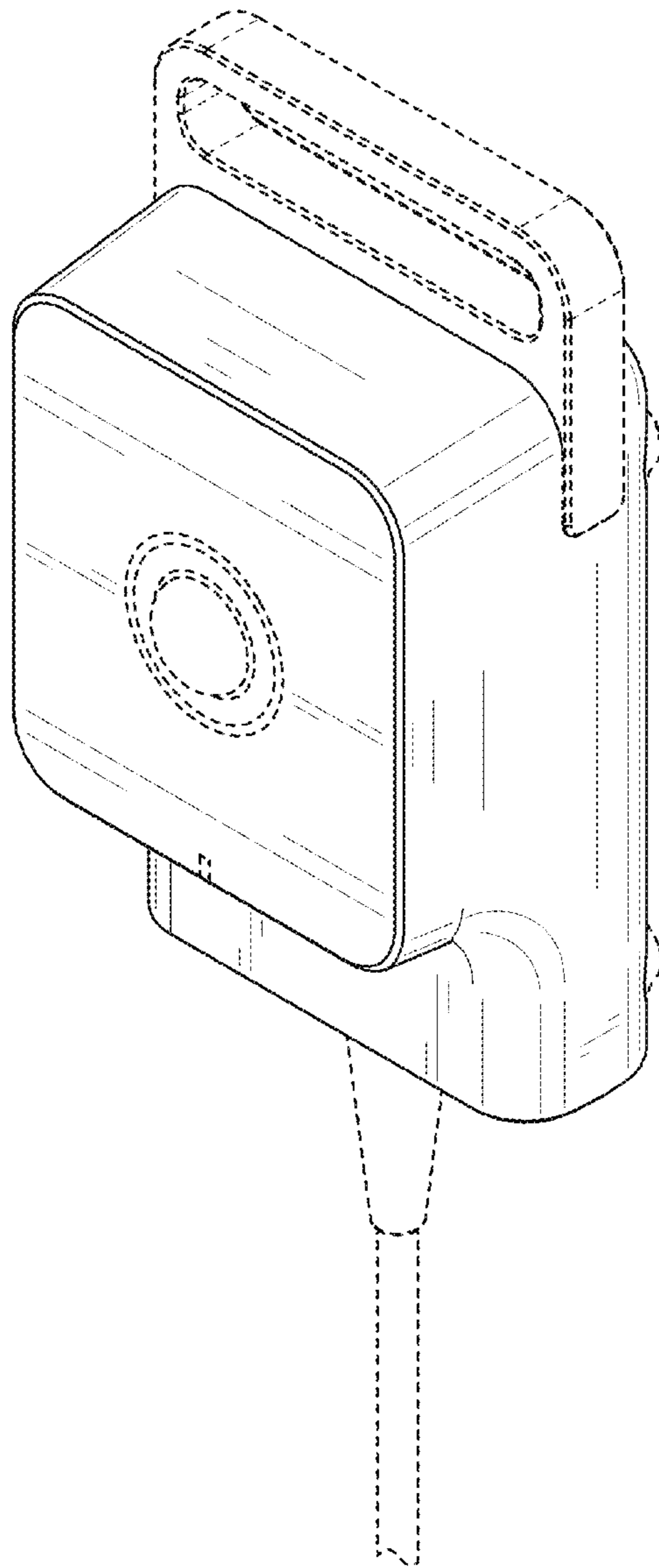


Fig. 1

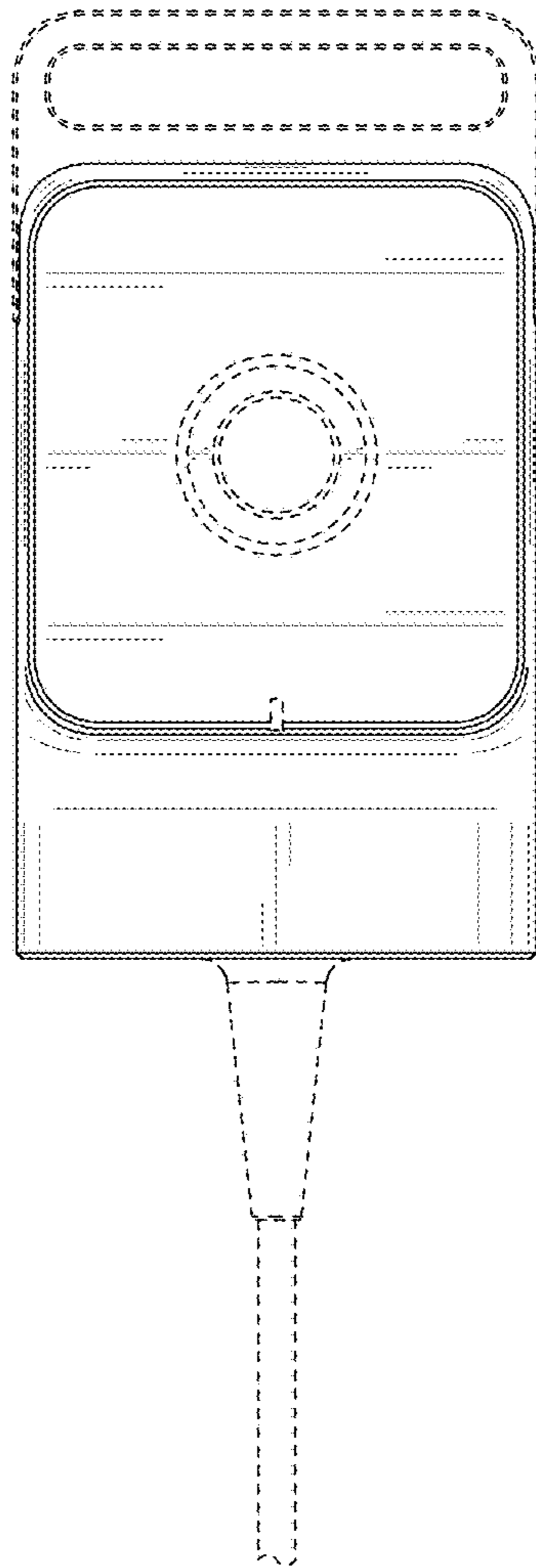


Fig. 2

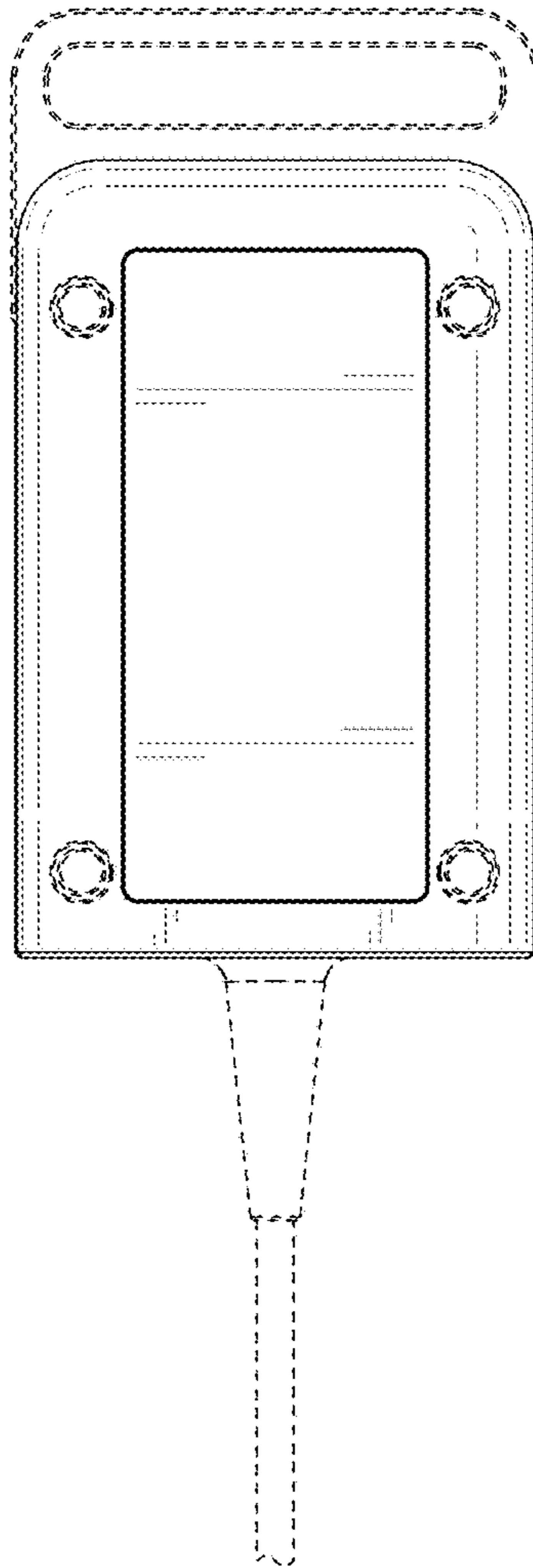


Fig. 3

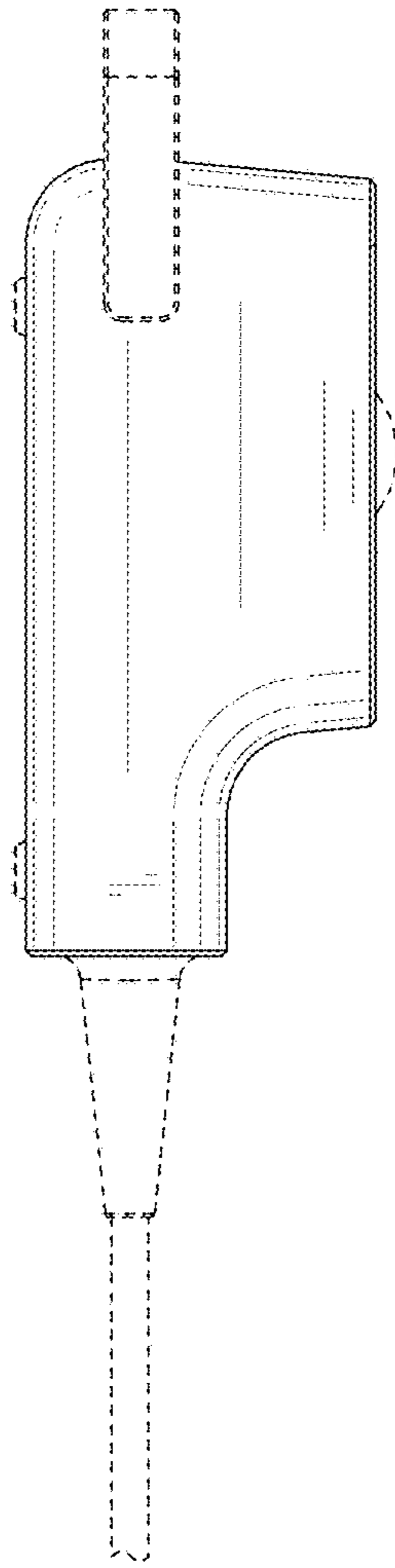


Fig. 4

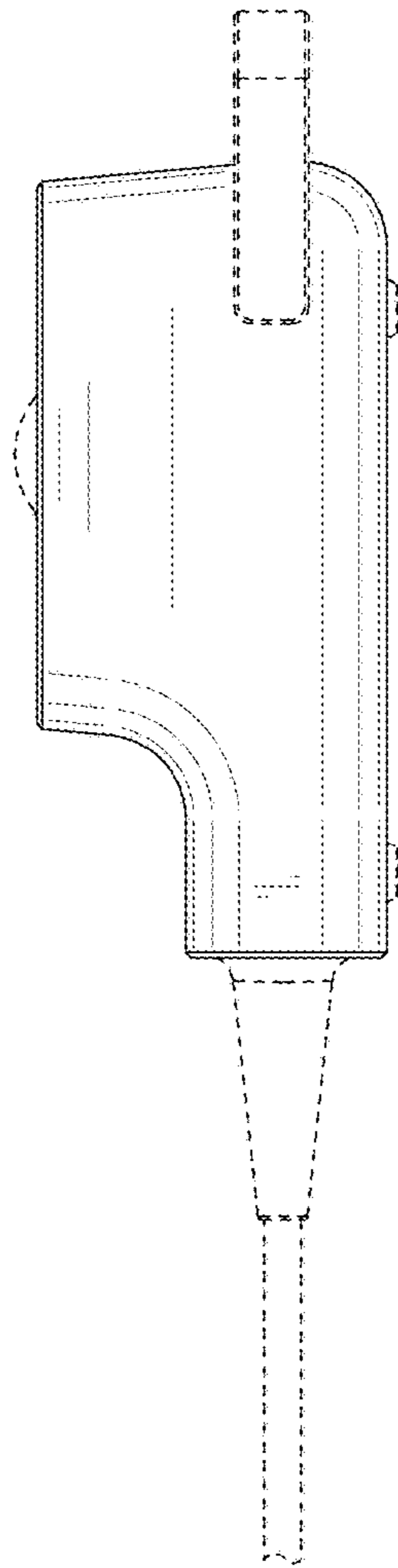


Fig. 5

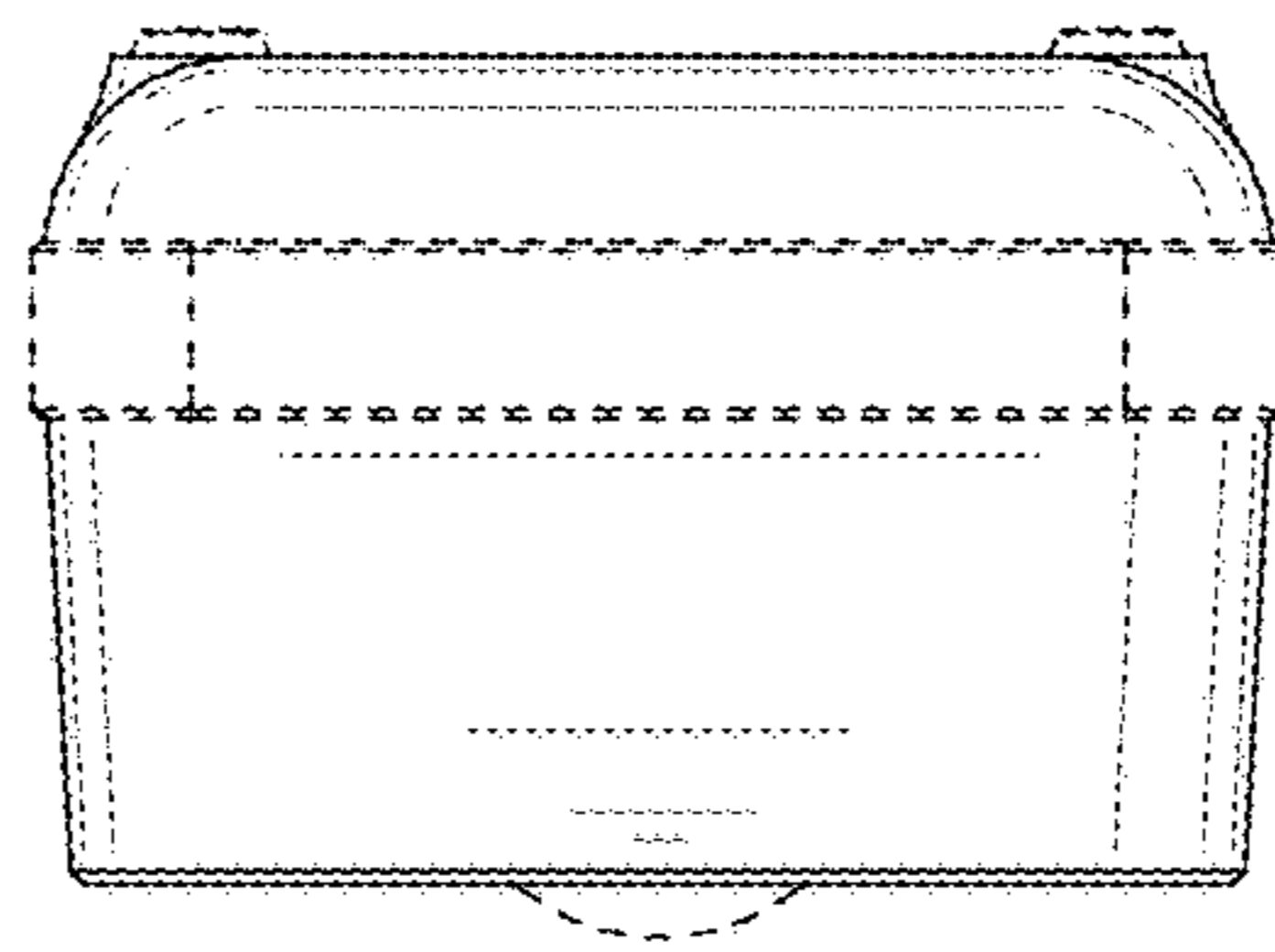


Fig. 6

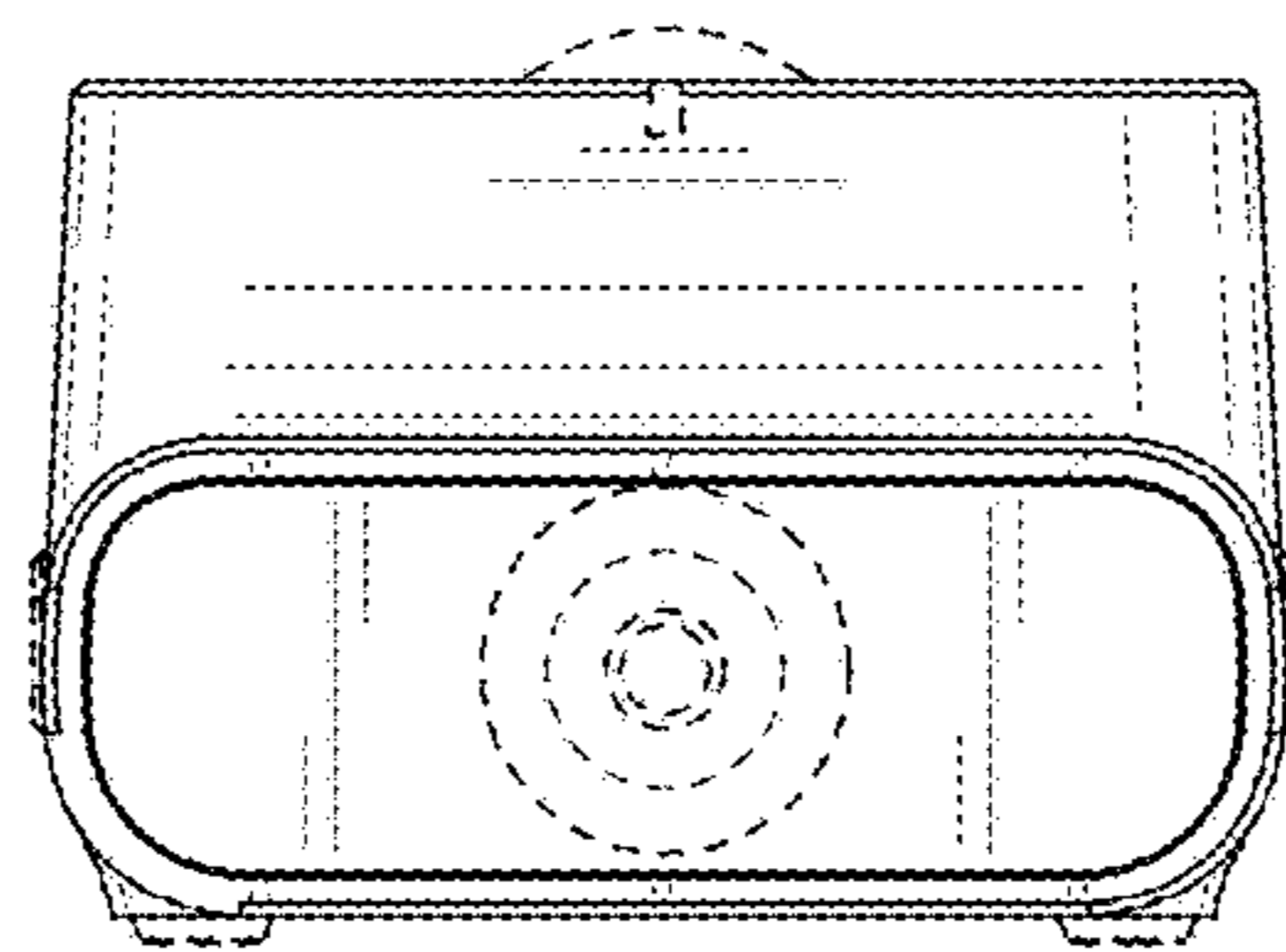


Fig. 7