



US00D840452S

(12) **United States Design Patent** (10) **Patent No.:** **US D840,452 S**
Yoo et al. (45) **Date of Patent:** **** Feb. 12, 2019**

(54) **ROBOT FOR GUIDING PEOPLE**

G05D 1/0272; G05D 1/0274; G05D 2201/0206; G05D 2201/0211

See application file for complete search history.

(71) Applicant: **LG ELECTRONICS INC.**, Seoul (KR)

(56) **References Cited**

(72) Inventors: **Joonggil Yoo**, Seoul (KR); **Sangyoon Lee**, Seoul (KR); **Hyunjung Kim**, Seoul (KR); **Soonho Jung**, Seoul (KR)

U.S. PATENT DOCUMENTS

(73) Assignee: **LG ELECTRONICS INC.**, Seoul (KR)

4,717,364	A	*	1/1988	Furukawa	A63H 11/00
						367/198
D298,766	S	*	11/1988	Tanno	D21/578
D456,080	S	*	4/2002	Karlsson	D24/185
D549,756	S	*	8/2007	Park	D15/199
D563,443	S	*	3/2008	Ahn	D15/199
D566,737	S	*	4/2008	Matsuda	D15/199
D572,739	S	*	7/2008	Jennings	D15/199
D579,035	S	*	10/2008	Kim	B25J 11/008
						D15/199
D608,804	S	*	1/2010	Labak	D15/199
D631,074	S	*	1/2011	Peters	D15/144
D635,603	S	*	4/2011	Paz Rodriguez	D15/199
D644,256	S	*	8/2011	Kitano	D15/199
D663,333	S	*	7/2012	Kitano	D15/199
D675,656	S	*	2/2013	Sutherland	D15/199
8,494,675	B2	*	7/2013	Ichinose	G05D 1/024
						700/245
8,620,547	B2	*	12/2013	Monsere	B60T 8/885
						701/22

(**) Term: **15 Years**

(21) Appl. No.: **35/503,957**

(22) Filed: **May 16, 2017**

(80) **Hague Agreement Data**

Int. Filing Date: **May 16, 2017**

Int. Reg. No.: **DM/096492**

Int. Reg. Date: **May 16, 2017**

Int. Reg. Pub. Date: **Nov. 17, 2017**

(30) **Foreign Application Priority Data**

Nov. 16, 2016 (KR) 30-2016-0055138

(51) **LOC (11) Cl.** **15-99**

(52) **U.S. Cl.**

USPC **D15/199**

CPC **B25J 11/009** (2013.01)

(58) **Field of Classification Search**

USPC D15/199; D21/578

CPC B25J 11/009; G05D 1/024; G05D 1/027;

G05D 1/0011; G05D 1/0227; G05D

1/0242; G05D 1/0246; G05D 1/0255;

(Continued)

FOREIGN PATENT DOCUMENTS

JP 2007260822 A * 10/2007

Primary Examiner — Richard E Chilcot

(74) *Attorney, Agent, or Firm* — Birch, Stewart, Kolasch & Birch, LLP

(57) **CLAIM**

The ornamental design for a robot for guiding people, as shown and described.

DESCRIPTION

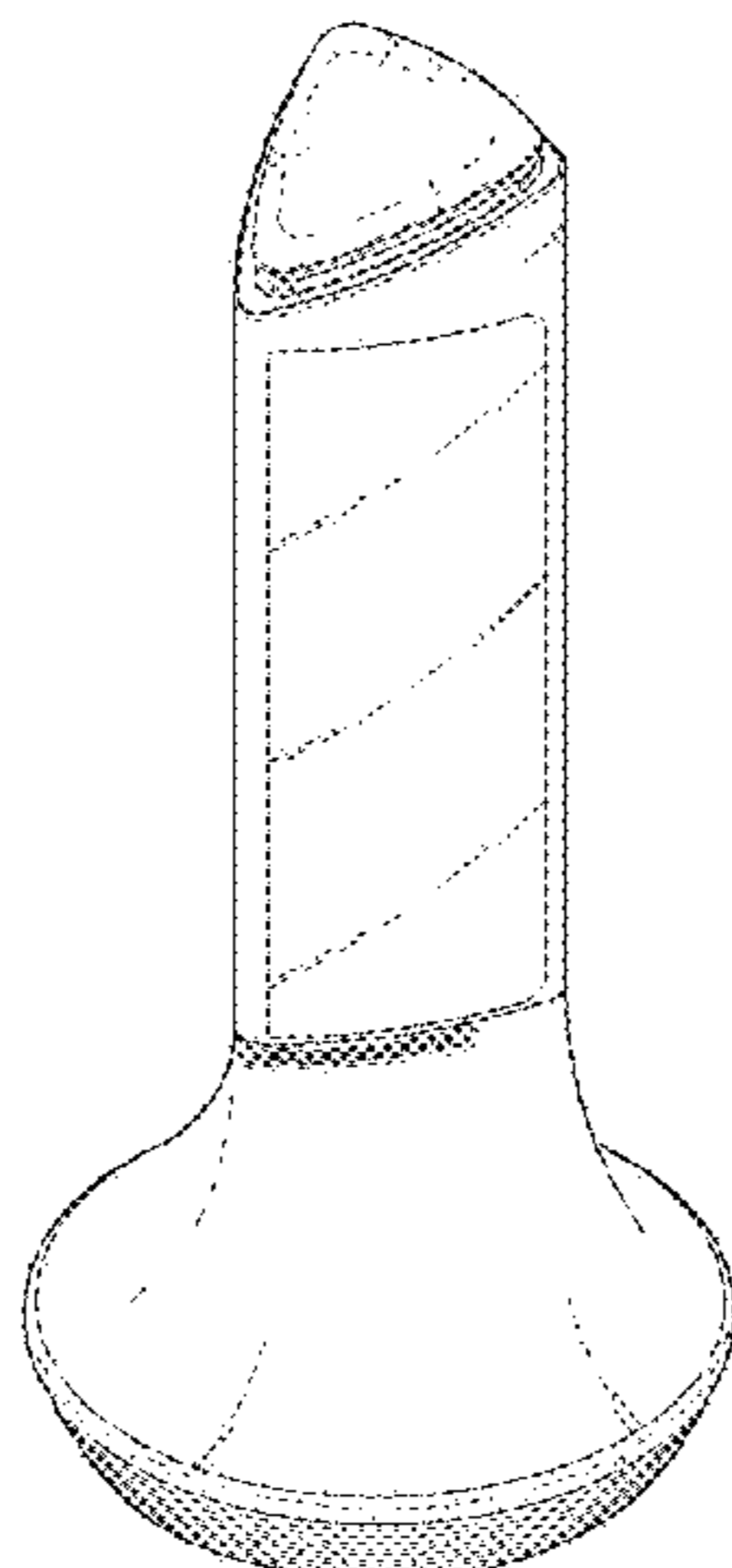
1. Robot for guiding people

1.1 : Perspective

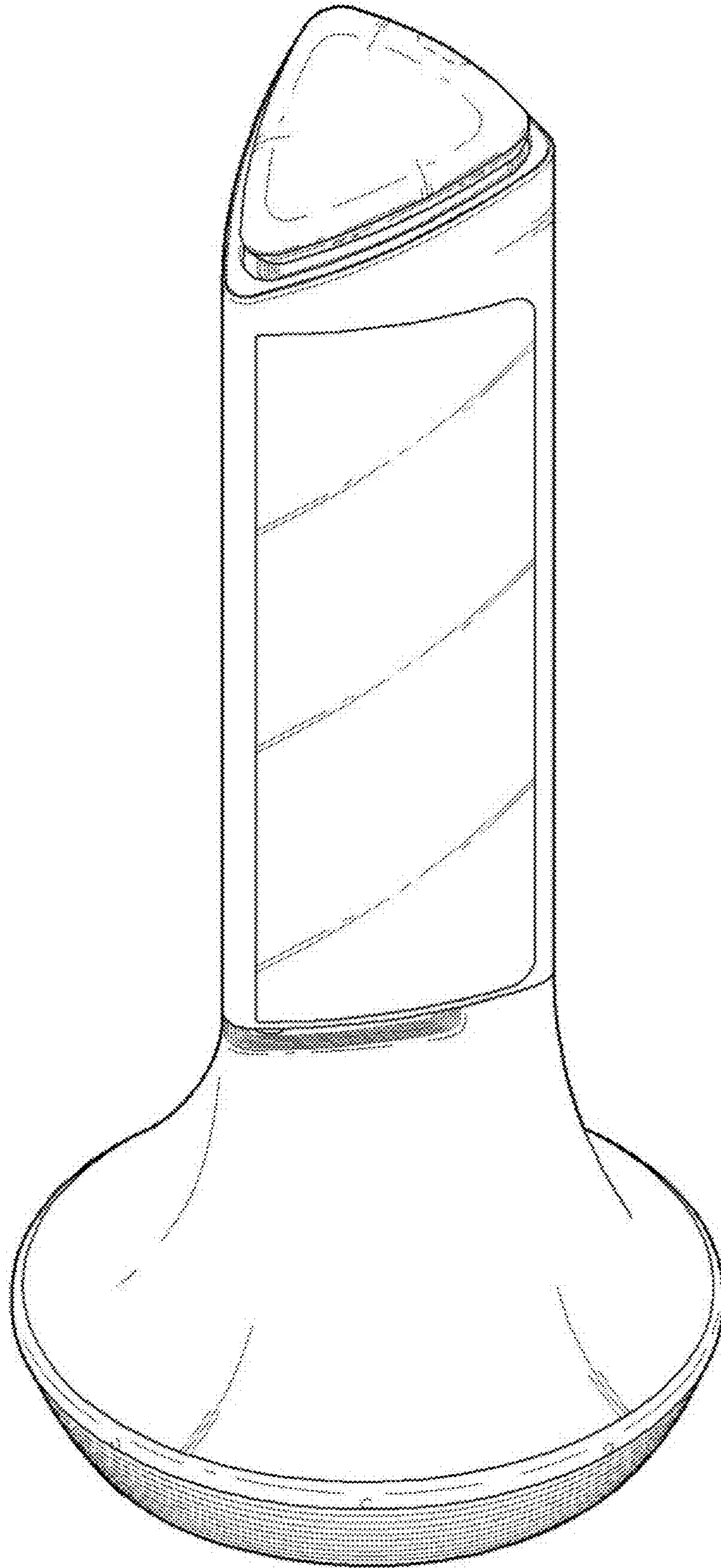
1.2 : Front

1.3 : Back

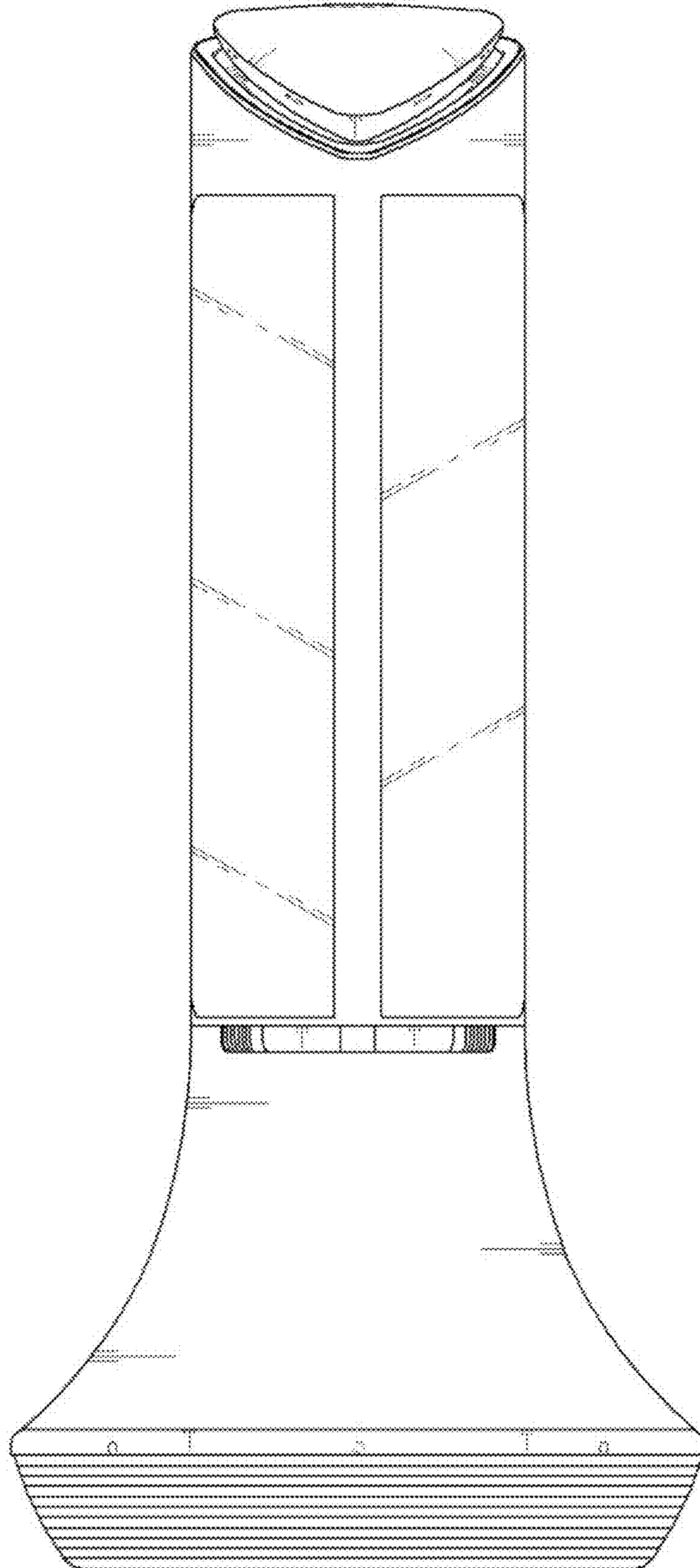
(Continued)



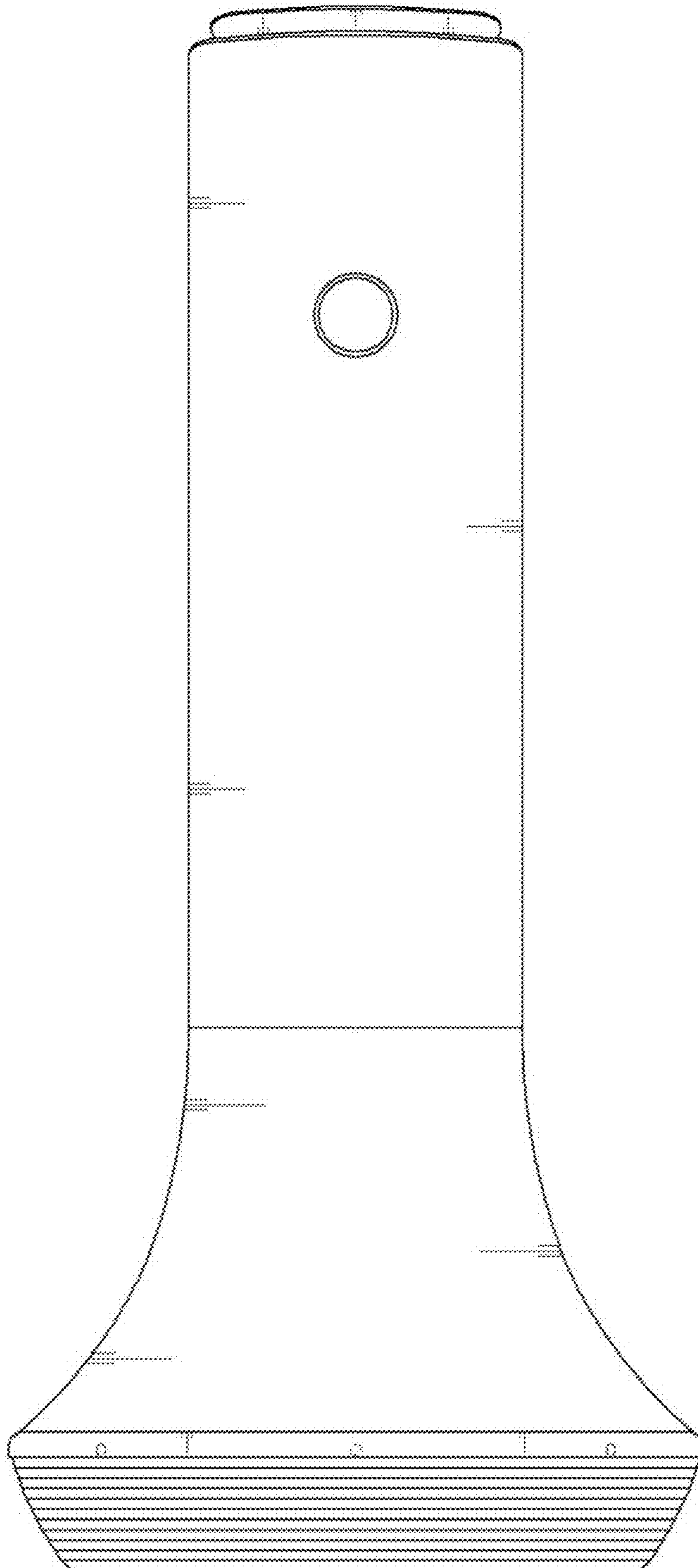
1.1



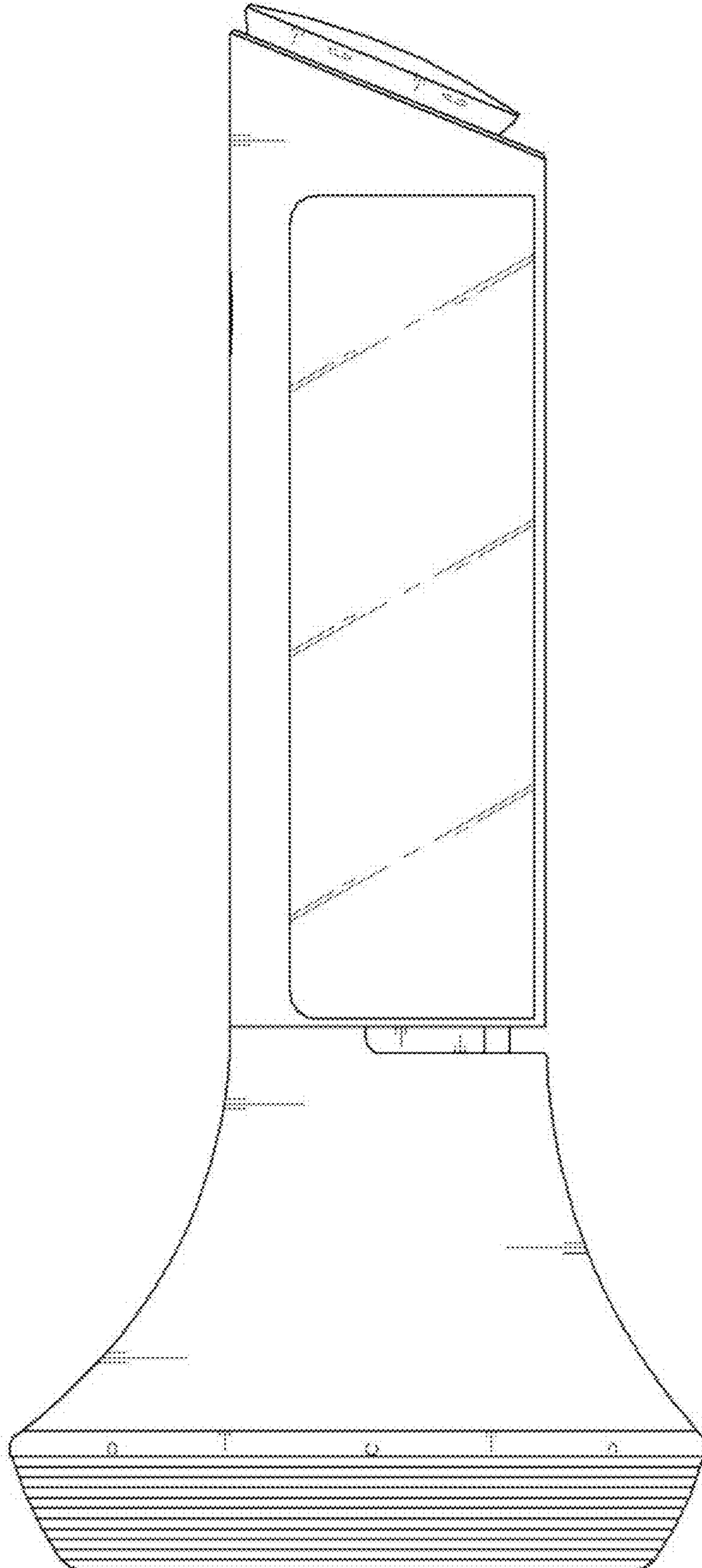
1.2



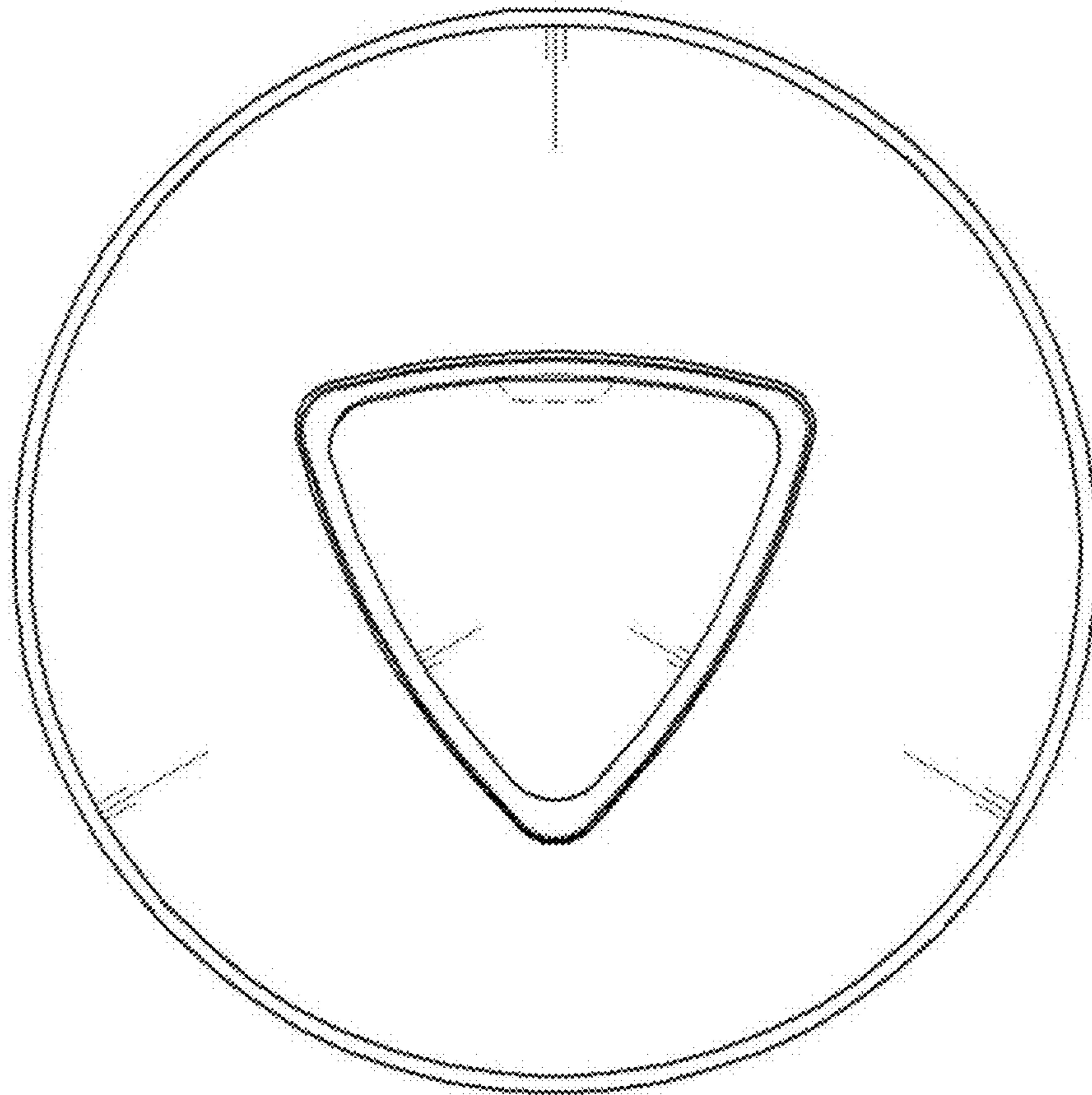
1.3



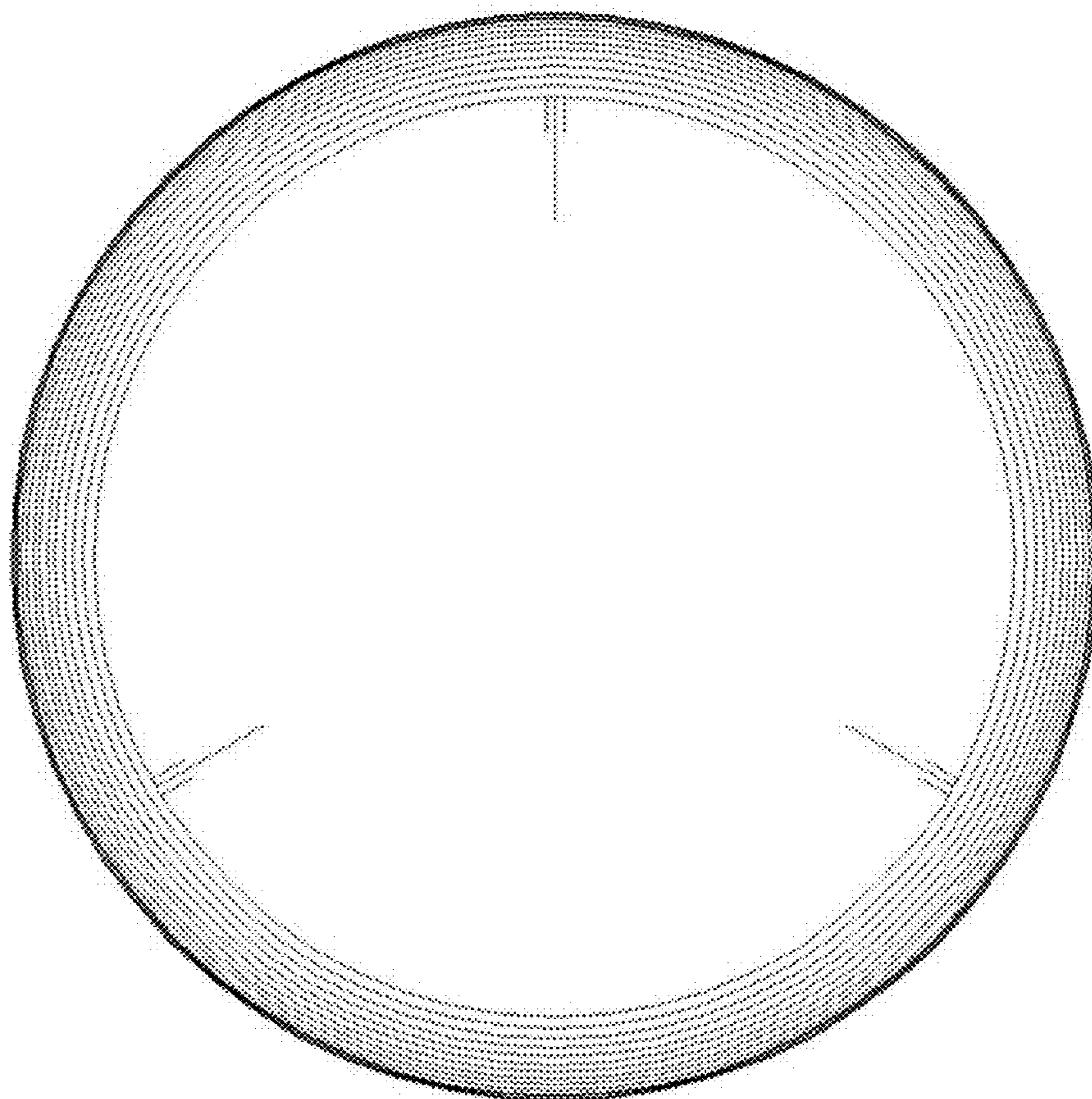
1.4



1.5



1.6



1.7

