



US00D840451S

(12) **United States Design Patent** (10) **Patent No.:** **US D840,451 S**  
**Yoo et al.** (45) **Date of Patent:** **\*\* Feb. 12, 2019**

(54) **ROBOT FOR GUIDING PEOPLE**

(56) **References Cited**

(71) Applicant: **LG ELECTRONICS INC.**, Seoul (KR)  
(72) Inventors: **Joonggil Yoo**, Seoul (KR); **Sangyoon Lee**, Seoul (KR); **Hyunjung Kim**, Seoul (KR); **Soonho Jung**, Seoul (KR)  
(73) Assignee: **LG ELECTRONICS INC.**, Seoul (KR)

U.S. PATENT DOCUMENTS

4,717,364 A \* 1/1988 Furukawa ..... A63H 11/00  
367/198  
D298,766 S \* 11/1988 Tanno ..... D21/578  
D456,080 S \* 4/2002 Karlsson ..... D24/185  
D549,756 S \* 8/2007 Park ..... D15/199  
D563,443 S \* 3/2008 Ahn ..... D15/199  
D566,737 S \* 4/2008 Matsuda ..... D15/199  
D572,739 S \* 7/2008 Jennings ..... D15/199  
D579,035 S \* 10/2008 Kim ..... B25J 11/008  
D15/199  
D608,804 S \* 1/2010 Labak ..... D15/199  
D631,074 S \* 1/2011 Peters ..... D15/144  
D635,603 S \* 4/2011 Paz Rodriguez ..... D15/199  
D644,256 S \* 8/2011 Kitano ..... D15/199  
D663,333 S \* 7/2012 Kitano ..... D15/199  
D675,656 S \* 2/2013 Sutherland ..... D15/199  
8,494,675 B2 \* 7/2013 Ichinose ..... G05D 1/024  
700/245  
8,620,547 B2 \* 12/2013 Monsere ..... B60T 8/885  
701/22

(\*\*) Term: **15 Years**  
(21) Appl. No.: **35/503,953**  
(22) Filed: **May 16, 2017**

(80) **Hague Agreement Data**

Int. Filing Date: **May 16, 2017**  
Int. Reg. No.: **DM/096193**  
Int. Reg. Date: **May 16, 2017**  
Int. Reg. Pub. Date: **Nov. 17, 2017**

(30) **Foreign Application Priority Data**

Nov. 16, 2016 (KR) ..... 30-2016-0055139

(51) **LOC (11) Cl.** ..... **15-99**  
(52) **U.S. Cl.**  
USPC ..... **D15/199**  
CPC ..... **B25J 11/009** (2013.01)

(58) **Field of Classification Search**

USPC ..... D15/199; D21/578  
CPC ..... B25J 11/009; G05D 1/024; G05D 1/027;  
G05D 1/0011; G05D 1/0227; G05D  
1/0242; G05D 1/0246; G05D 1/0255;  
G05D 1/0272; G05D 1/0274; G05D  
2201/0206; G05D 2201/0211

See application file for complete search history.

(Continued)

FOREIGN PATENT DOCUMENTS

JP 2007260822 A \* 10/2007

*Primary Examiner* — Richard E Chilcot  
(74) *Attorney, Agent, or Firm* — Birch, Stewart, Kolasch & Birch, LLP

(57) **CLAIM**

The ornamental design for a robot for guiding people, as shown and described.

**DESCRIPTION**

1. Robot for guiding people

1.1 : Perspective

1.2 : Front

1.3 : Back

1.4 : Left

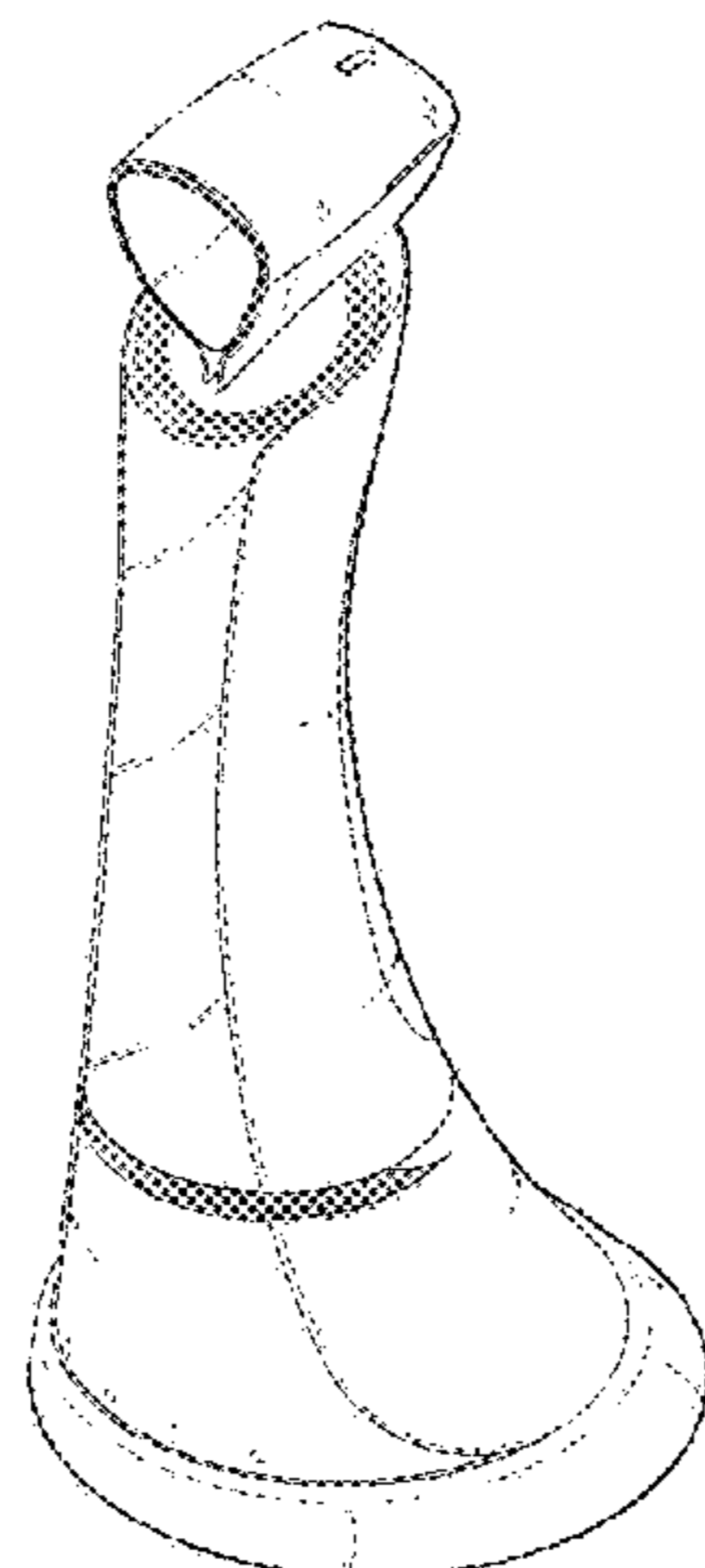
1.5 : Top

1.6 : Bottom

1.7 : Back perspective

The broken lines depict portions of the robot for guiding people that form no part of the claimed design.

**1 Claim, 7 Drawing Sheets**



(56)

## References Cited

## U.S. PATENT DOCUMENTS

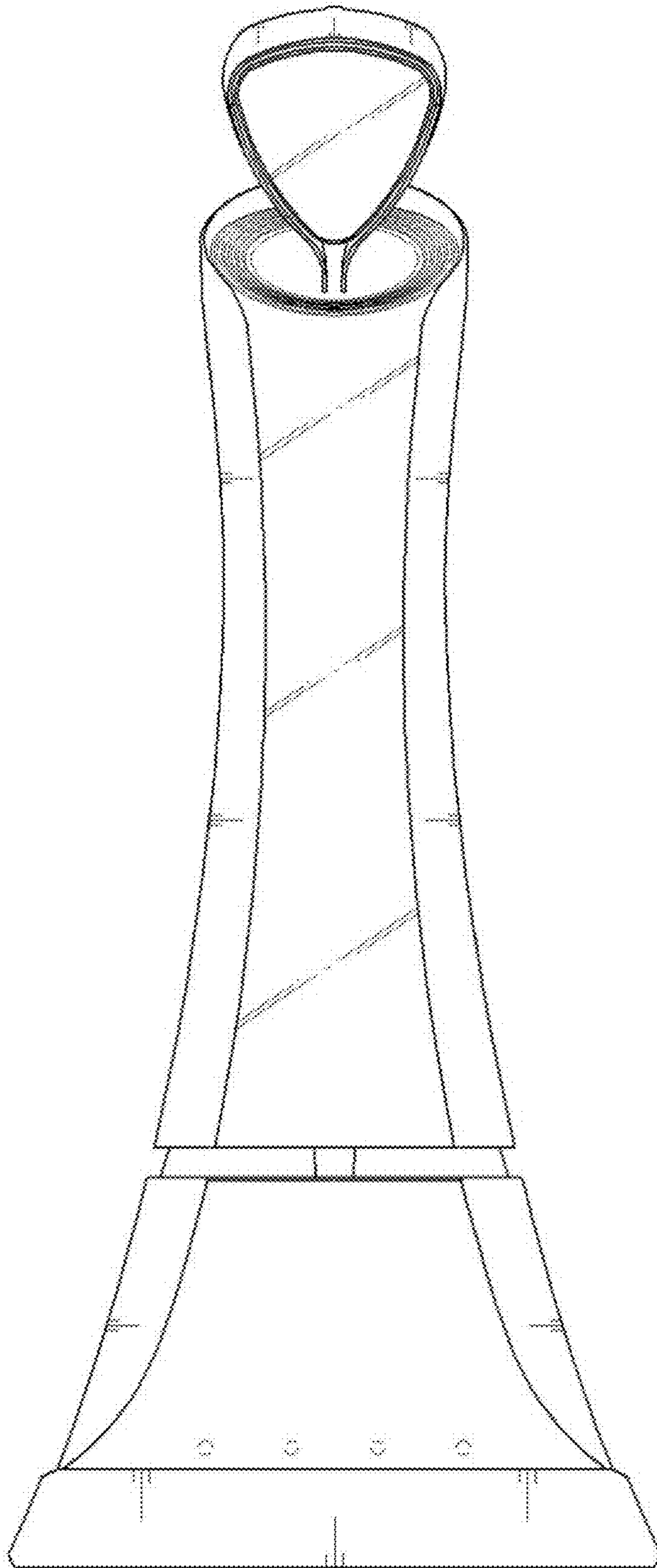
D701,256 S \* 3/2014 Song ..... D15/199  
D720,378 S \* 12/2014 Dye ..... D15/199  
8,935,006 B2 \* 1/2015 Vu ..... B25J 5/007  
700/264  
D725,166 S \* 3/2015 Paik ..... D15/199  
D732,096 S \* 6/2015 Jang ..... D15/199  
D735,258 S \* 7/2015 Jang ..... D15/199  
D739,450 S \* 9/2015 Jain ..... D15/199  
D752,668 S \* 3/2016 Pedersen ..... D15/199  
9,291,698 B2 \* 3/2016 Watanabe ..... G01S 5/0072  
D761,339 S \* 7/2016 White, Jr. .... D15/199  
D761,894 S \* 7/2016 Ho ..... D15/199  
D769,953 S \* 10/2016 Bauman ..... D15/199  
9,469,031 B2 \* 10/2016 Saito ..... B25J 9/1676  
D781,945 S \* 3/2017 Uno ..... D15/199  
D802,040 S \* 11/2017 Canoso ..... D15/199  
D810,167 S \* 2/2018 Yang ..... D15/199  
D810,800 S \* 2/2018 Wang ..... D15/199  
D811,458 S \* 2/2018 Wang ..... D15/199  
D813,284 S \* 3/2018 Wei ..... D15/199  
D813,285 S \* 3/2018 Wei ..... D15/199  
D817,375 S \* 5/2018 Deyle ..... D15/199  
D820,334 S \* 6/2018 Lee ..... D15/199  
D826,303 S \* 8/2018 Metta ..... D15/199  
2007/0132419 A1 \* 6/2007 Hashimoto ..... B25J 5/007  
318/568.12  
2008/0147261 A1 \* 6/2008 Ichinose ..... G01C 22/006  
701/24  
2009/0169347 A1 \* 7/2009 Teng ..... B25J 5/00  
414/401  
2015/0190927 A1 \* 7/2015 Sutherland ..... H04W 4/70  
700/259  
2018/0178375 A1 \* 6/2018 Yang ..... B25J 5/007

\* cited by examiner

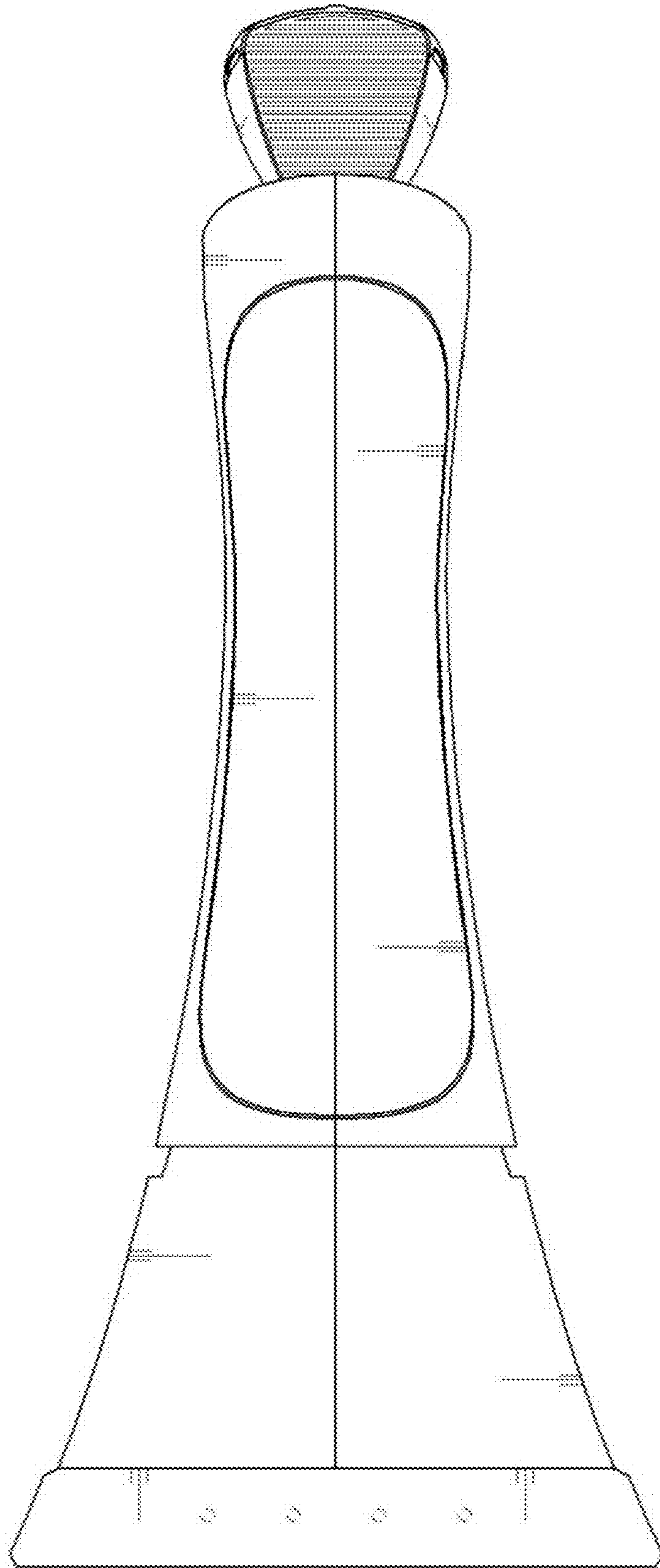
1.1



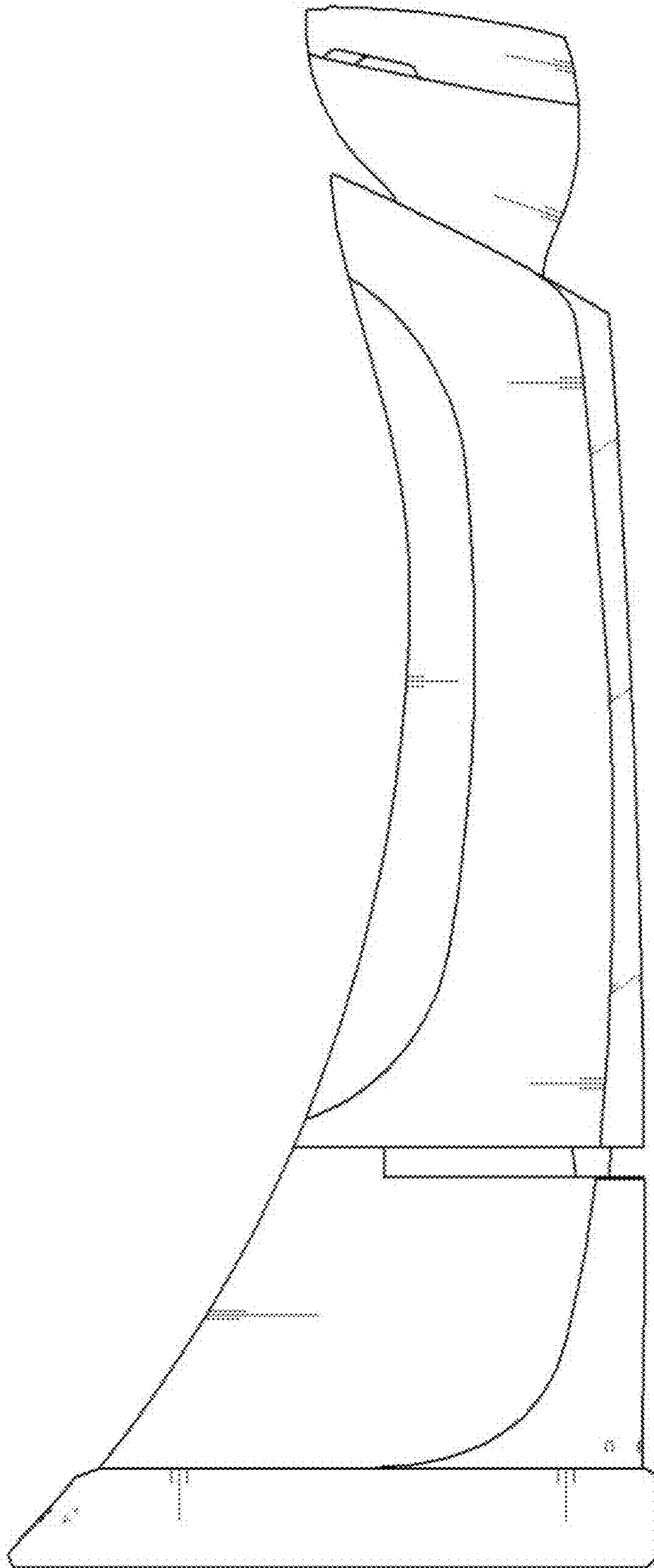
1.2



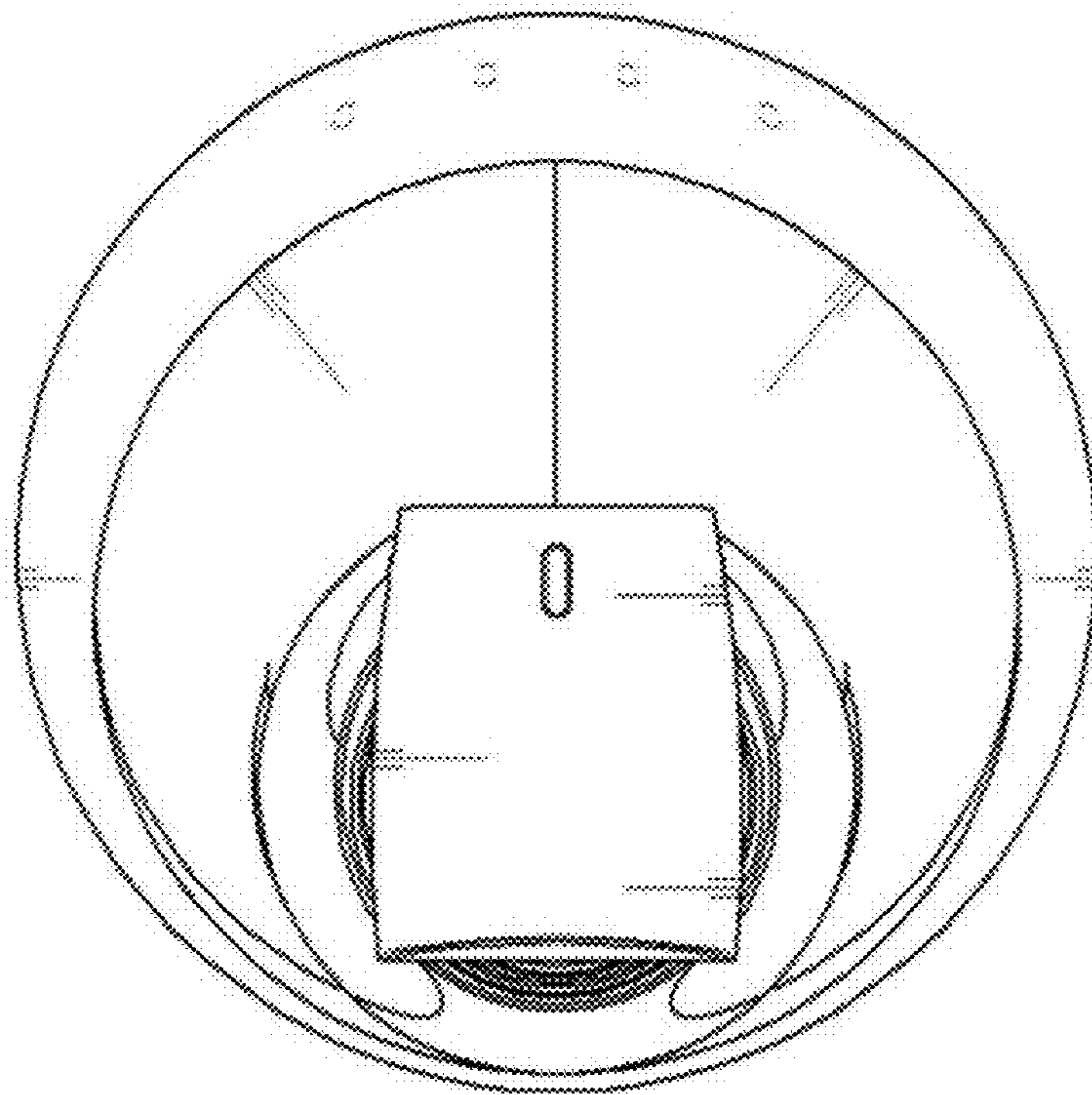
1.3



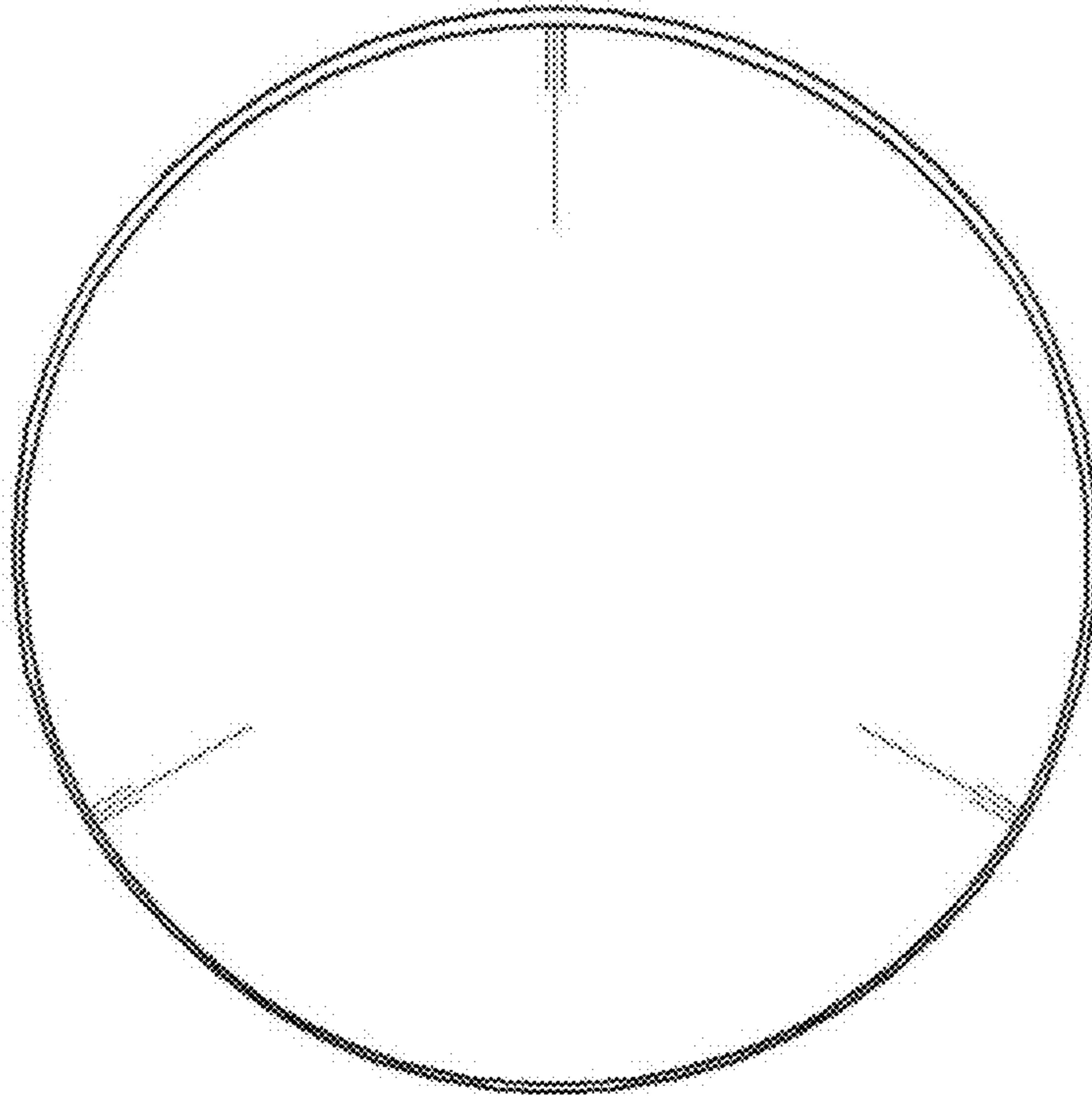
1.4



1.5



1.6





1.7

