



US00D840448S

(12) **United States Design Patent** (10) **Patent No.:** **US D840,448 S**
Vetter (45) **Date of Patent:** **** Feb. 12, 2019**

(54) **CONTROL DEVICE**

(71) Applicant: **Robert Bosch GmbH**, Stuttgart (DE)

(72) Inventor: **Michael Vetter**, Heimsheim (DE)

(73) Assignee: **Robert Bosch GmbH**, Stuttgart (DE)

(**) Term: **15 Years**

(21) Appl. No.: **29/591,908**

(22) Filed: **Jan. 25, 2017**

(30) **Foreign Application Priority Data**

Jul. 27, 2016 (EM) 003320456

(51) **LOC (11) Cl.** **15-09**

(52) **U.S. Cl.**
USPC **D15/138**

(58) **Field of Classification Search**
USPC D13/158, 162, 168, 184; D15/122, 138,
D15/199

CPC B23Q 3/08; B23Q 16/065; G05B 19/402;
G05B 2219/39264

See application file for complete search history.

(56) **References Cited**

U.S. PATENT DOCUMENTS

D243,960 S *	4/1977	Roch	D15/138
D267,944 S *	2/1983	Vintzel	D13/164
D293,437 S *	12/1987	Hoshino	D14/140.8
D294,566 S *	3/1988	Boytor	D13/164
D299,125 S *	12/1988	Anderson	D13/164
5,624,473 A *	4/1997	Farkas	C03B 9/41 65/158
D426,259 S *	6/2000	Kabumoto	D18/41
D491,560 S *	6/2004	Hsu Li	D14/371
D531,771 S *	11/2006	Kim	D32/25
D551,110 S *	9/2007	Seitz	D10/125
D556,698 S *	12/2007	Walser	D13/164

D559,792 S *	1/2008	Gemme	D13/162
D566,597 S *	4/2008	Schneor	D10/103
7,438,072 B2 *	10/2008	Izuchukwu	A61M 16/0051 128/203.12
D582,917 S *	12/2008	Wada	D14/371
D596,175 S *	7/2009	Viertola	D14/314
D597,570 S *	8/2009	Yoshida	D15/138
D621,794 S *	8/2010	Haeske	D13/164
D627,801 S *	11/2010	Berning	D15/28
D651,220 S *	12/2011	Ohtonen	D15/28
D667,848 S *	9/2012	Schindler	D15/21
D685,398 S *	7/2013	Graham	D15/28
D722,297 S *	2/2015	Rader	D13/162
D735,680 S *	8/2015	Harrison	D13/162

(Continued)

Primary Examiner — Patricia A Palasik

(74) *Attorney, Agent, or Firm* — Maginot, Moore & Beck LLP

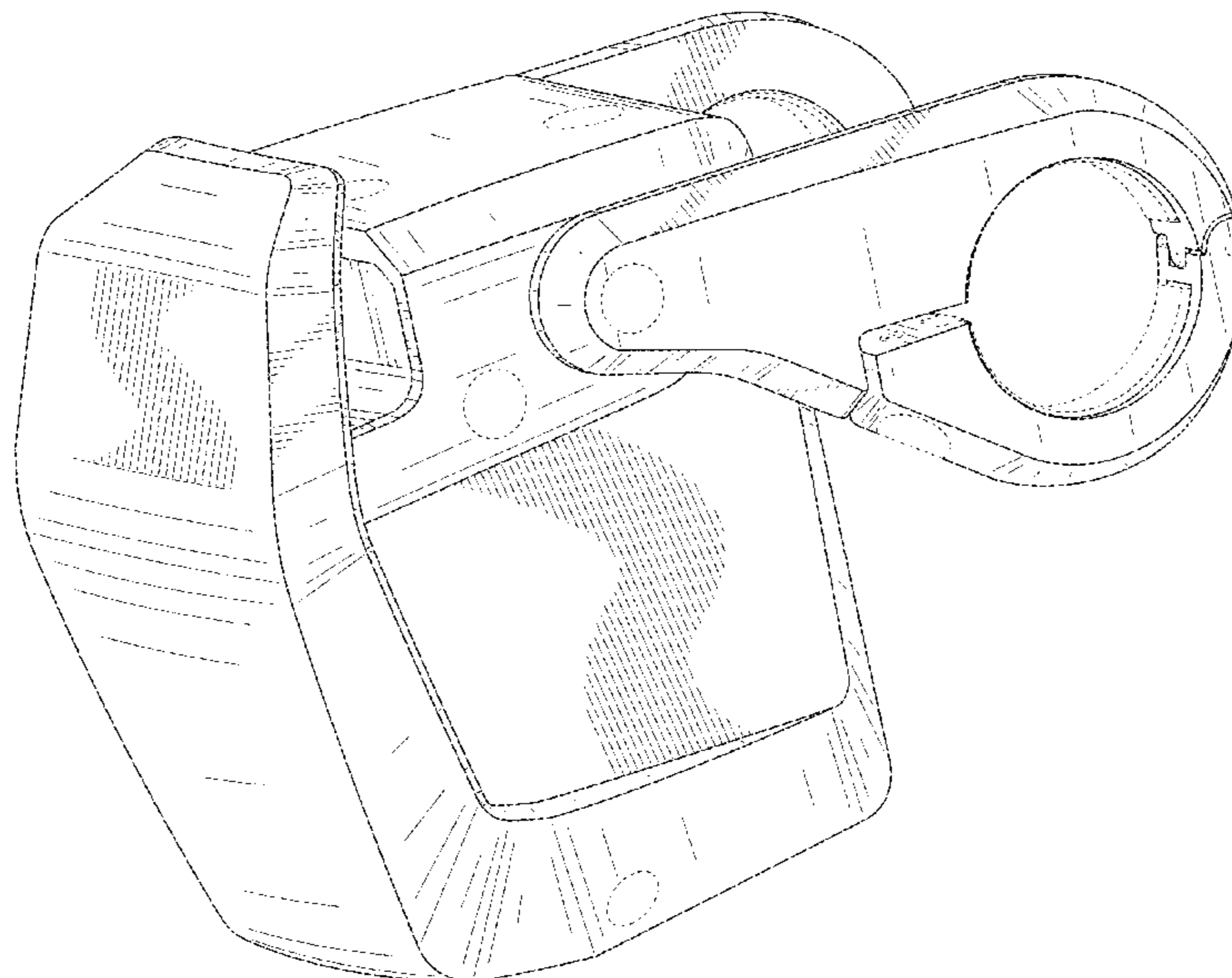
(57) **CLAIM**

The ornamental design for a control device, as shown and described.

DESCRIPTION

FIG. 1 is a perspective view of a control device showing my new design;
 FIG. 2 is a left side elevational view of the control device of FIG. 1;
 FIG. 3 is a right side elevational view of the control device of FIG. 1;
 FIG. 4 is a front elevational view of the control device of FIG. 1;
 FIG. 5 is a rear elevational view of the control device of FIG. 1;
 FIG. 6 is a top plan view of the control device of FIG. 1; and,
 FIG. 7 is a bottom plan view of the control device of FIG. 1.
 The broken lines in the drawings depict unclaimed environmental subject matter.

1 Claim, 7 Drawing Sheets



(56)

References Cited

U.S. PATENT DOCUMENTS

D748,065 S *	1/2016	Trochum	D13/162
D753,607 S *	4/2016	Lee	D13/162
D762,642 S *	8/2016	Johnson	D14/341
D766,192 S *	9/2016	Daubenmerkl	D13/162
D773,405 S *	12/2016	Daubenmerkl	D13/164
D794,579 S *	8/2017	Peterson	D13/162

* cited by examiner

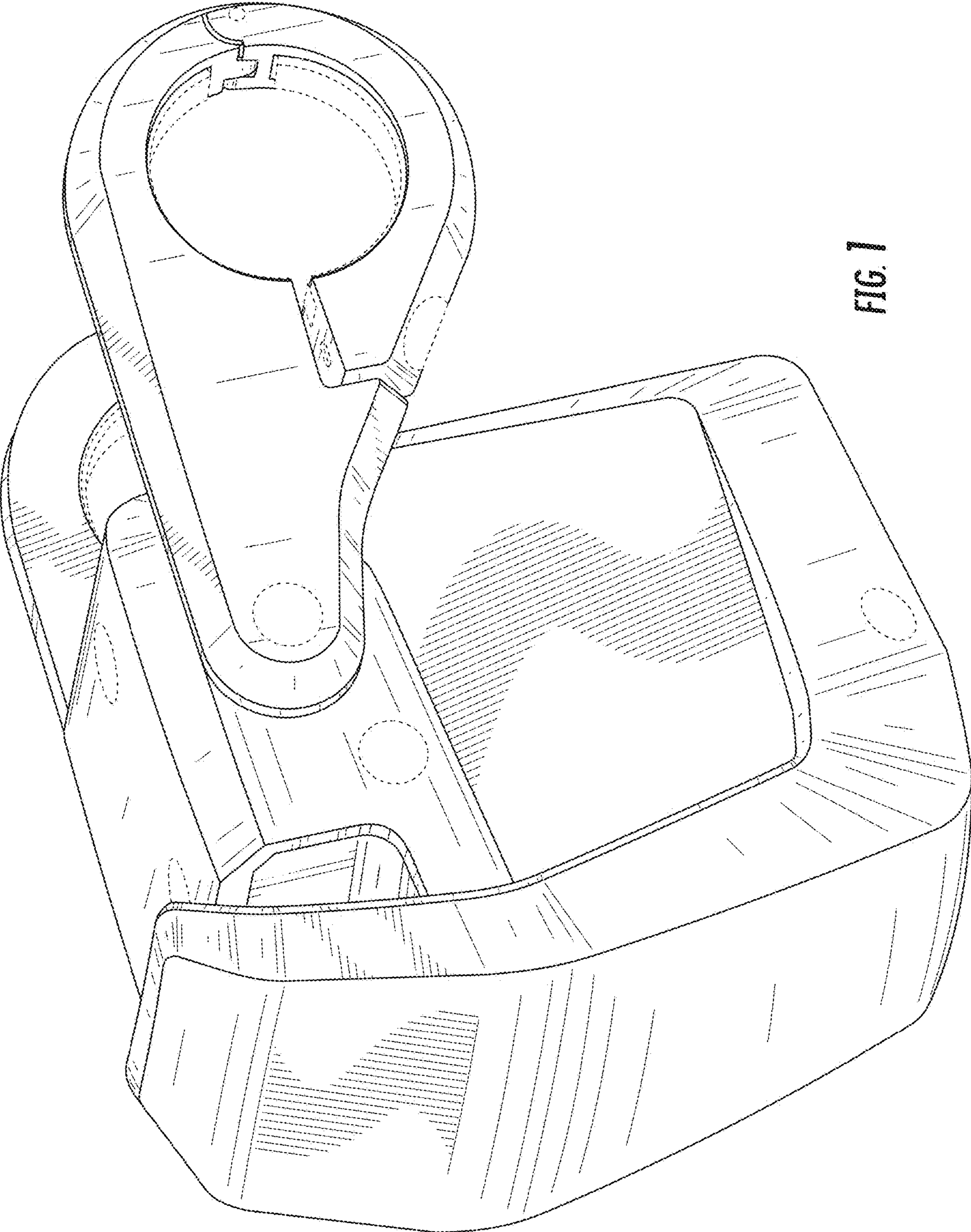


FIG. 1

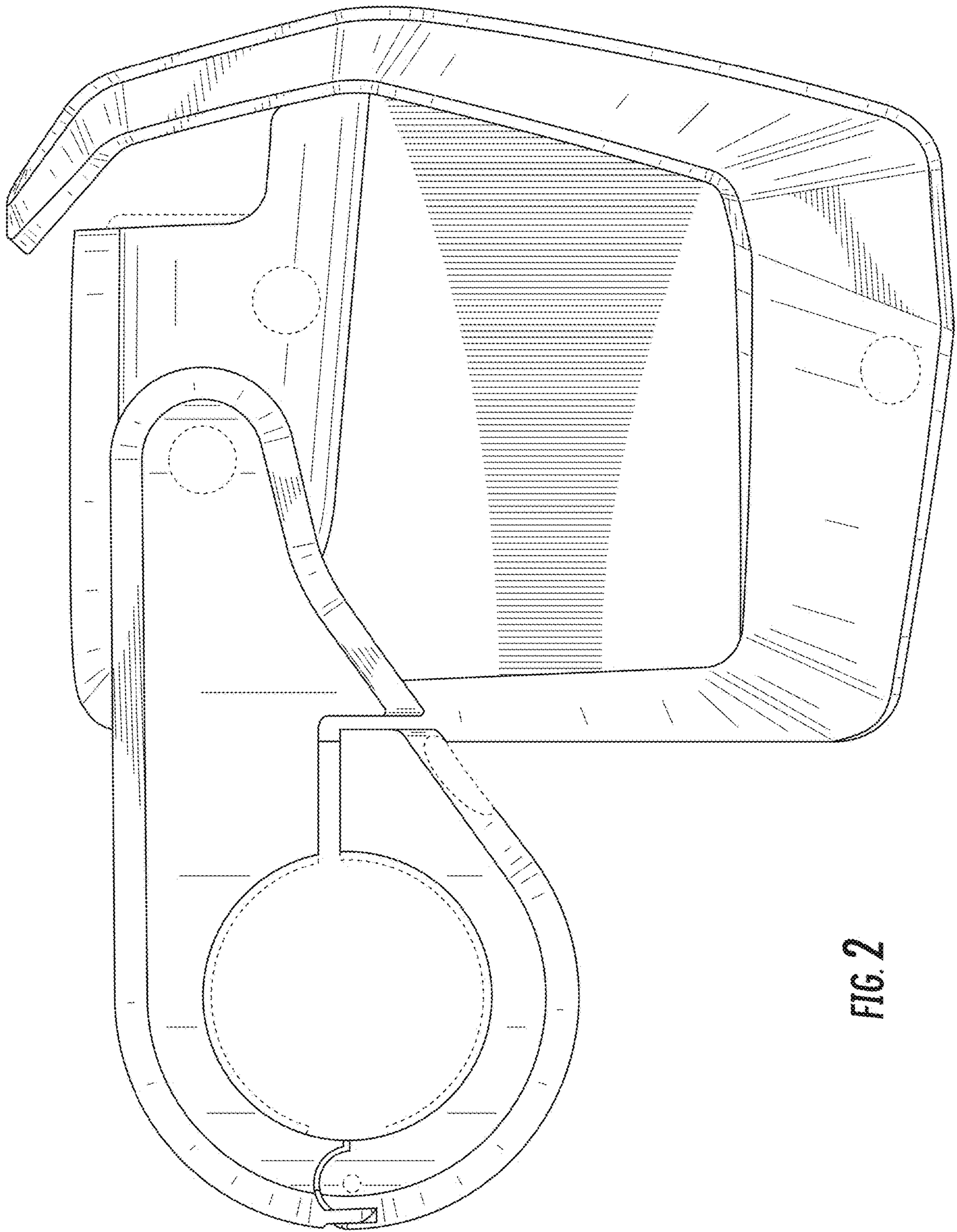


FIG. 2

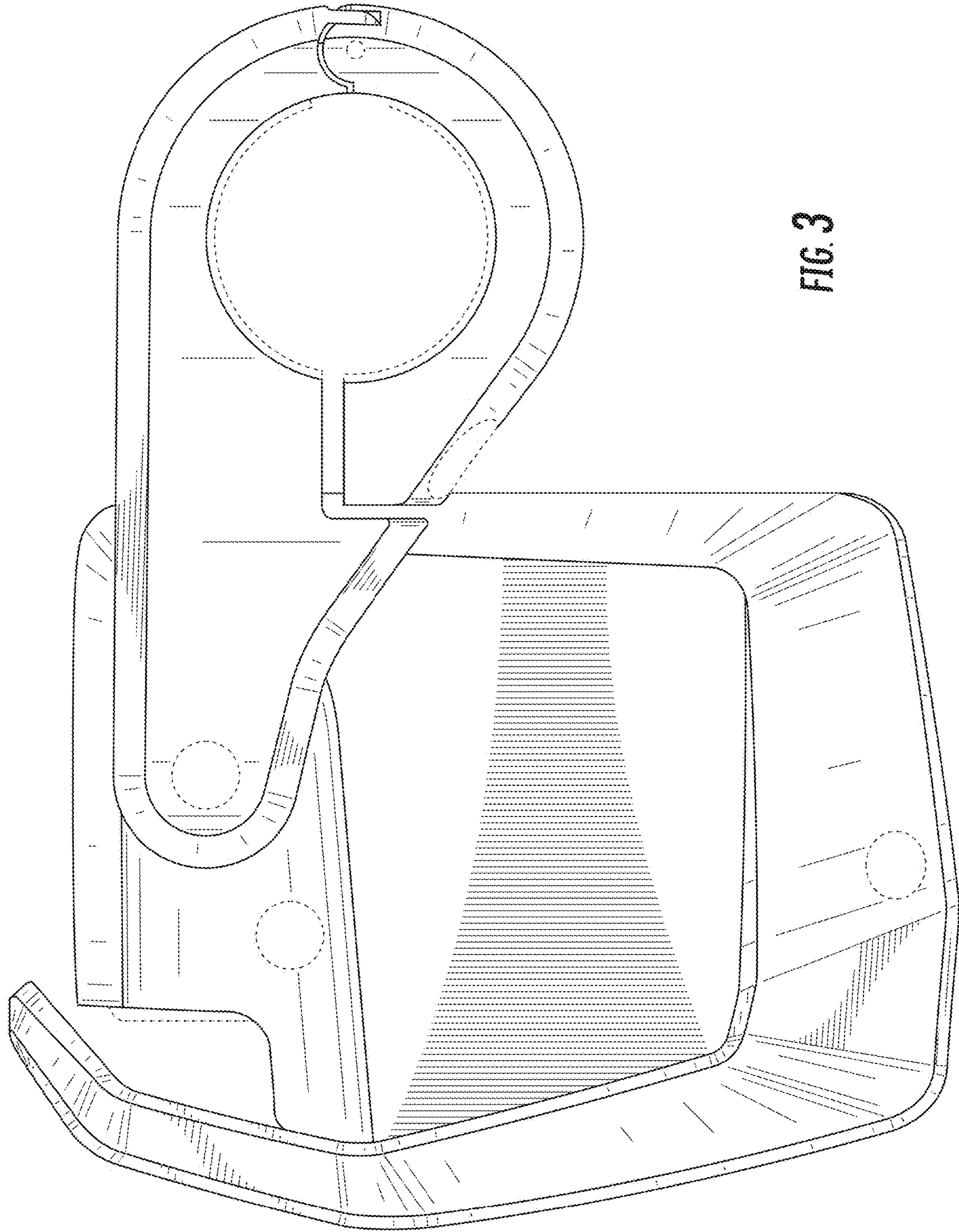


FIG. 3

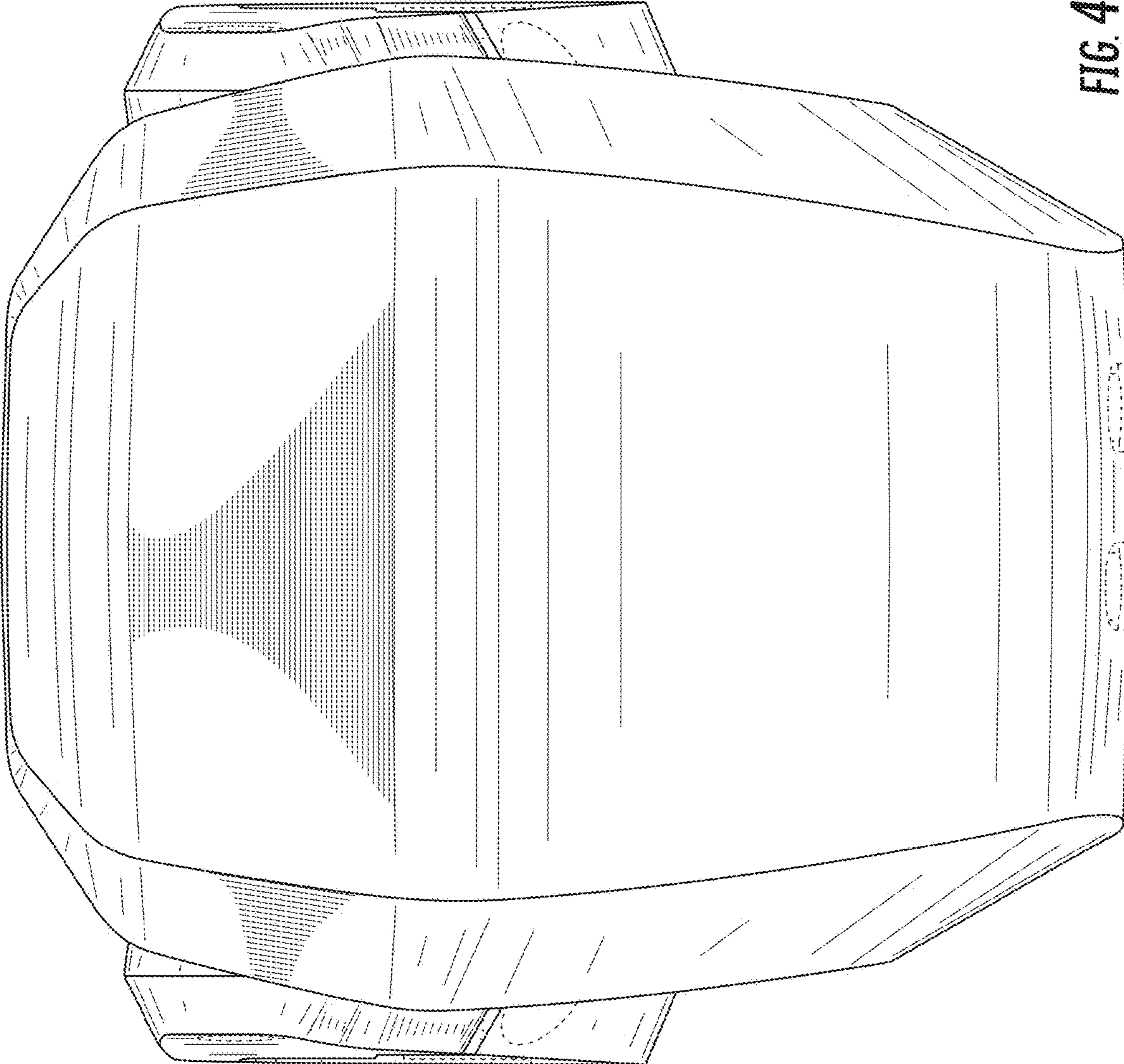
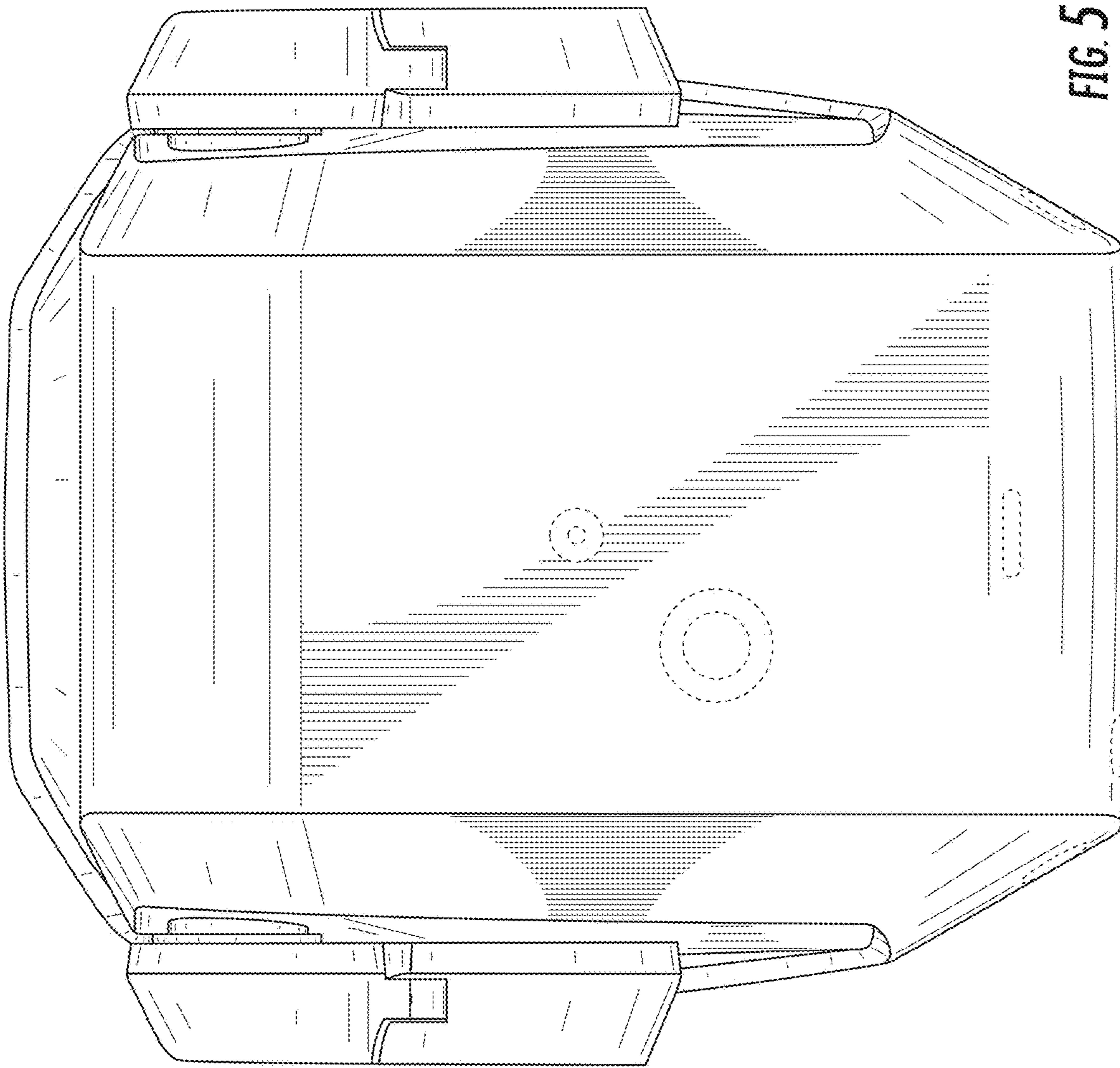


FIG. 4



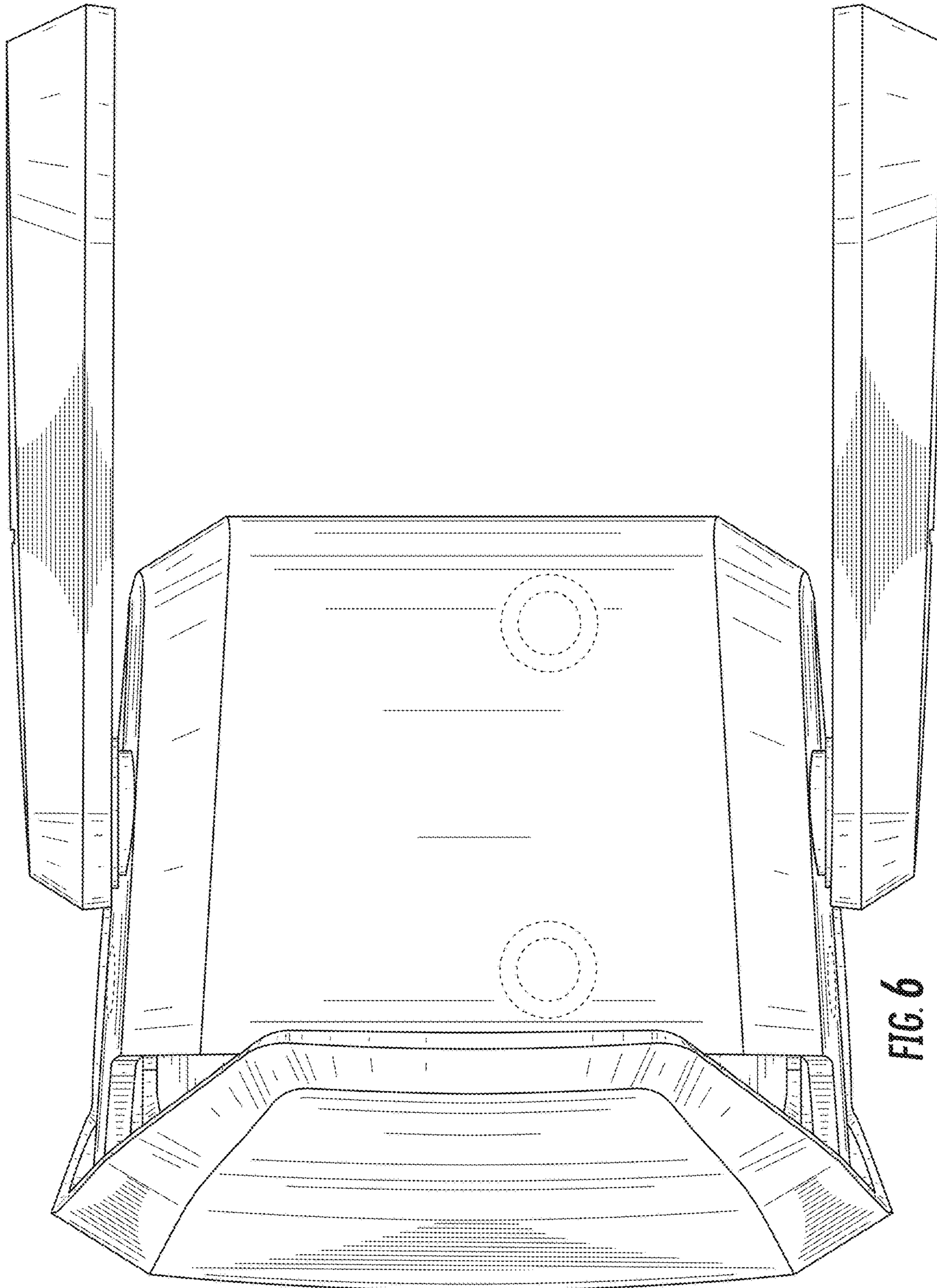


FIG. 6

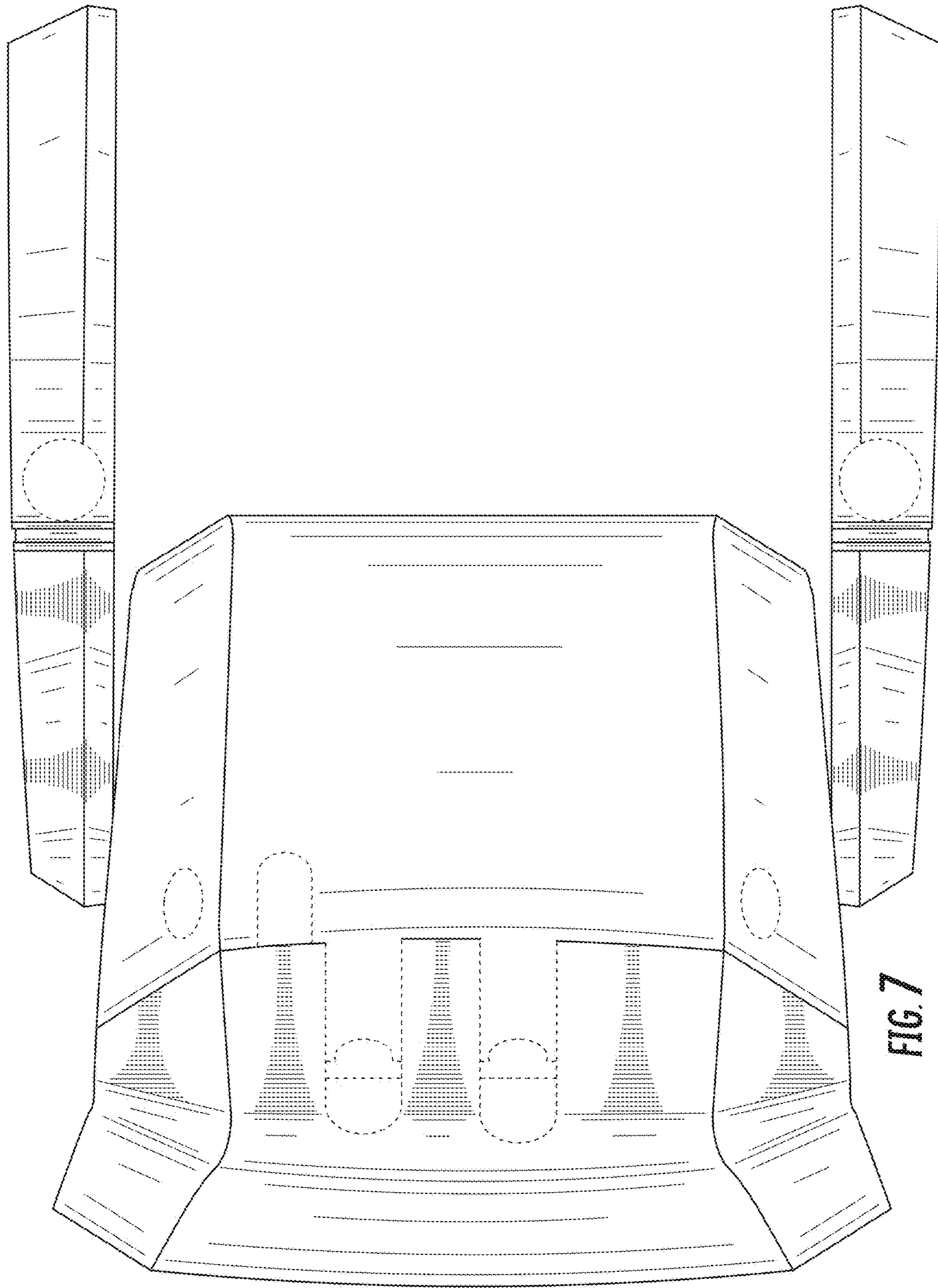


FIG. 7