



US00D840446S

(12) **United States Design Patent** (10) **Patent No.:** **US D840,446 S**
Crisman et al. (45) **Date of Patent:** **** Feb. 12, 2019**

(54) **MATERIAL HOLDING BOTTLE**
(71) Applicant: **Viking Cold Solutions, Inc.**, Houston, TX (US)
(72) Inventors: **Michael P. Crisman**, Houston, TX (US); **Robert Reyes**, Houston, TX (US)
(73) Assignee: **Viking Cold Solutions, Inc.**, Houston, TX (US)
(**) Term: **15 Years**
(21) Appl. No.: **29/573,362**
(22) Filed: **Aug. 4, 2016**
(51) **LOC (11) Cl.** **15-07**
(52) **U.S. Cl.**
USPC **D15/90**
(58) **Field of Classification Search**
USPC D9/737; D15/90, 79; D7/605, 606; 62/45.1, 337, 440-447, 457.1-457.9, 459, 62/529, 904; 249/117
CPC .. A61F 2007/0268; A61J 1/165; B65D 31/06; F25D 11/003; F25D 2303/085; F25D 2331/803; F25D 23/061; F25D 31/00; F25D 31/007; H01M 10/613; H01M 10/6556; H02K 1/20; H02K 9/19
See application file for complete search history.

6,066,408 A * 5/2000 Vitale F28D 9/0075 429/413
D520,534 S * 5/2006 Nicholson D15/90
D537,851 S * 3/2007 Mount D15/90
7,662,499 B2 * 2/2010 Huber H01M 8/0206 429/434

(Continued)

OTHER PUBLICATIONS

Efficient Cold Storage, available May 19, 2018, [online], [site visited May 19, 2018]. Available from internet, <URL: <https://www.vikingcold.com/cold-storage/> (Year: 2018).*

(Continued)

Primary Examiner — Cathron C Brooks
Assistant Examiner — W. A. Teddy Falloway
(74) *Attorney, Agent, or Firm* — Osha Liang LLP

(57) **CLAIM**

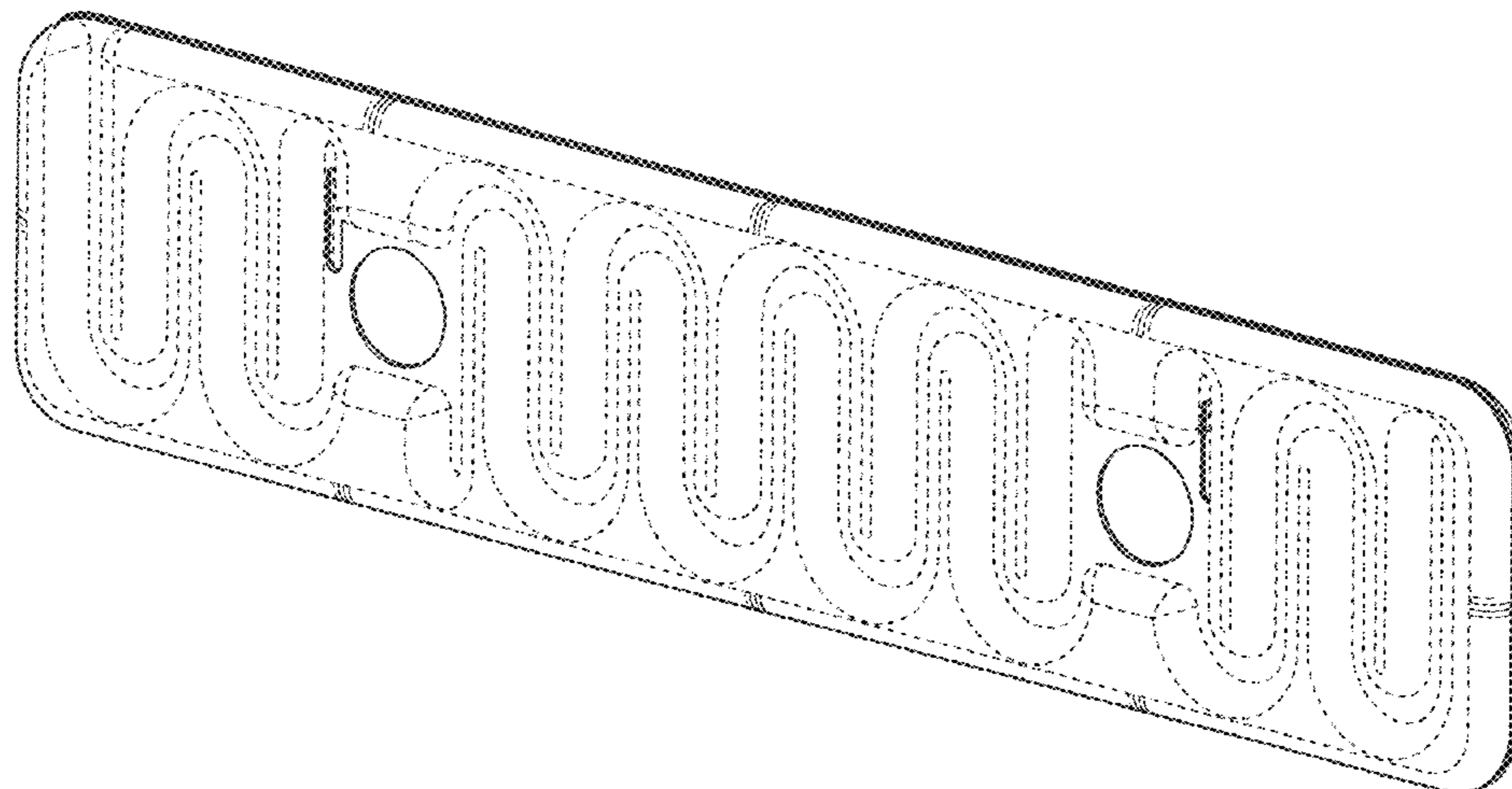
The ornamental design for a material holding bottle, as shown and described.

DESCRIPTION

FIG. 1 is a front perspective view of a material holding bottle;
FIG. 2 is a front view of the material holding bottle of FIG. 1;
FIG. 3 is a top view of the material holding bottle of FIG. 1;
FIG. 4 is a bottom view of the material holding bottle of FIG. 1;
FIG. 5 is a first side view of the material holding bottle of FIG. 1;
FIG. 6 is a second side view of the material holding bottle of FIG. 1; and,
FIG. 7 is a longitudinal cross-section view of the material holding bottle of FIG. 1 taken along line I-I of FIG. 2.
The broken lines illustrate portions of the material holding bottle that form no part of the claimed design.

1 Claim, 3 Drawing Sheets

(56) **References Cited**
U.S. PATENT DOCUMENTS
2,090,336 A * 8/1937 Stack B60H 1/20 165/169
2,566,533 A * 9/1951 Poux A61F 7/02 156/146
2,606,005 A * 8/1952 Poux A61F 7/02 165/46
5,038,581 A * 8/1991 Maier-Laxhuber F25B 17/08 62/393
5,510,207 A * 4/1996 Grivel F28F 3/12 429/120



(56)

References Cited

U.S. PATENT DOCUMENTS

D695,278 S * 12/2013 Koskelainen D14/230
 D704,171 S * 5/2014 Forster D14/230
 D711,438 S * 8/2014 Garg D15/90
 D711,439 S * 8/2014 Garg D15/90
 D711,440 S * 8/2014 Garg D15/90
 D711,945 S * 8/2014 Garg D15/90
 D712,442 S * 9/2014 Garg D15/90
 D712,783 S * 9/2014 Cortes D11/130
 9,079,690 B1 * 7/2015 Pavlik B65D 31/06
 D741,919 S * 10/2015 Seiders D15/90
 D741,920 S * 10/2015 Seiders D15/90
 D745,835 S * 12/2015 Cortes D11/130
 D746,343 S * 12/2015 Mount D15/90
 D786,222 S * 5/2017 Forster D14/230
 D791,201 S * 7/2017 Kim D15/90
 D804,543 S * 12/2017 Carvajal D15/90
 9,887,437 B2 * 2/2018 Palanchon H01M 10/613
 2005/0057102 A1 * 3/2005 Totsu G03F 7/70758
 310/12.06
 2012/0092027 A1 * 4/2012 Forster G05D 22/02
 324/658
 2012/0237805 A1 * 9/2012 Abels H01M 2/1077
 429/83
 2013/0167582 A1 * 7/2013 Jones F25B 41/067
 62/515

2013/0189553 A1 * 7/2013 Enghardt H01M 2/1077
 429/87
 2013/0309531 A1 * 11/2013 Chiu H01M 10/6567
 429/72
 2014/0102685 A1 * 4/2014 Gadelmeier H02K 1/20
 165/177
 2014/0186675 A1 * 7/2014 Boettcher H01M 2/1077
 429/99
 2015/0200429 A1 * 7/2015 Lee H01M 10/613
 429/120
 2016/0118872 A1 * 4/2016 Chen H02K 41/031
 310/12.24
 2016/0153691 A1 * 6/2016 Mean F25D 11/003
 62/457.9
 2017/0063191 A1 * 3/2017 Kirkley, Jr. H02K 5/1732
 2017/0138664 A1 * 5/2017 Greenberg F25D 31/007
 2017/0271726 A1 * 9/2017 Shen H01M 10/613
 2017/0307446 A1 * 10/2017 Hegedus G01K 1/08
 2018/0090800 A1 * 3/2018 Lim H01M 10/6568
 2018/0145294 A1 * 5/2018 Choi H01M 2/10

OTHER PUBLICATIONS

Office Action issued in Chinese Application No. 201730032021.6;
 Dated May 31, 2017, with English Translation (3 pages).

* cited by examiner

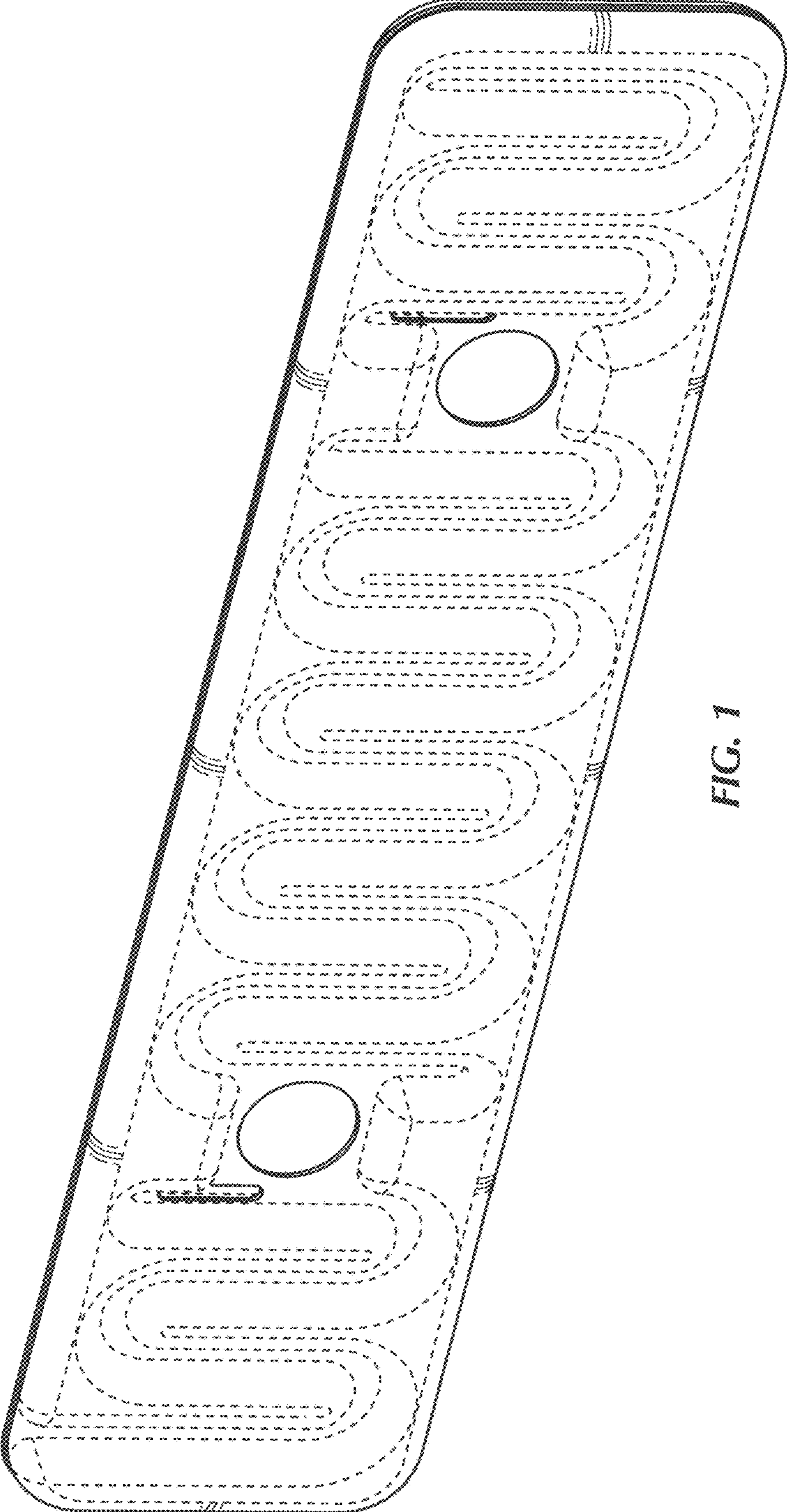


FIG. 1

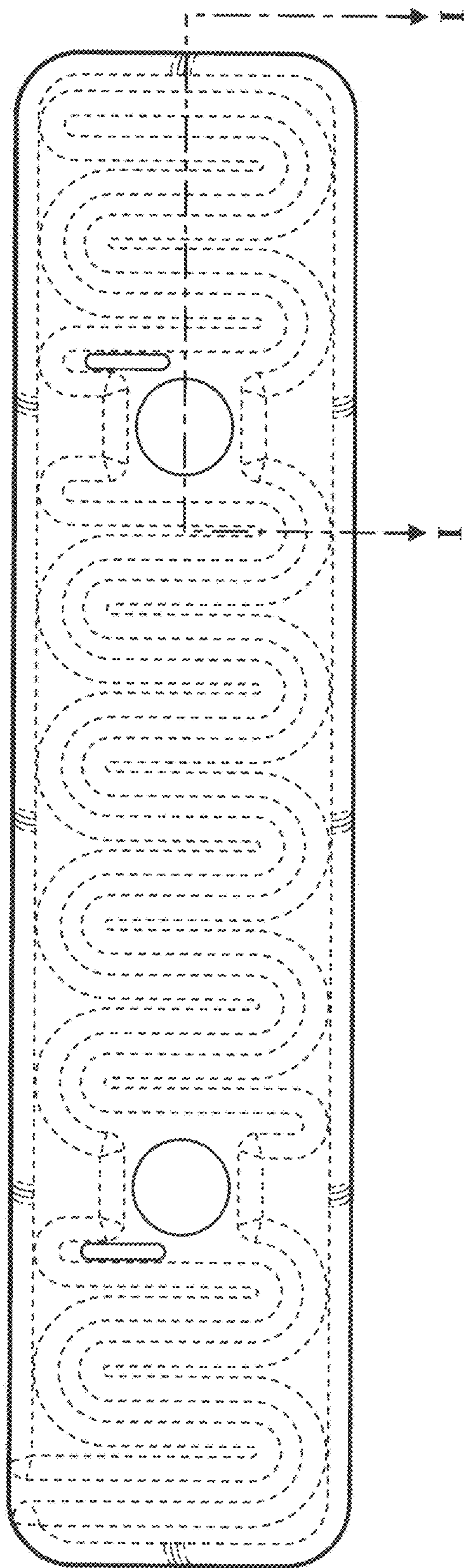


FIG. 2

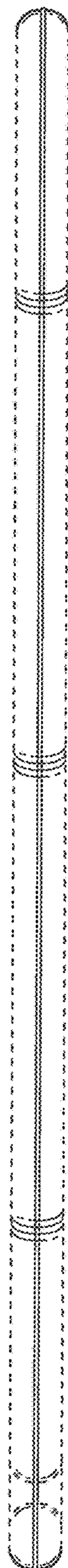


FIG. 3



FIG. 4



FIG. 5



FIG. 6

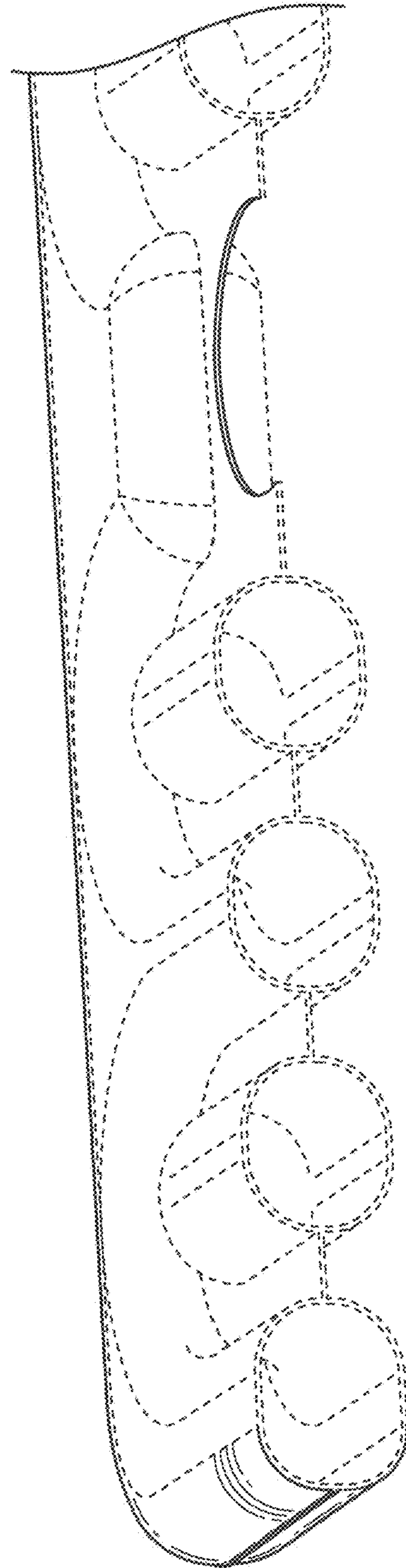


FIG. 7