



US00D840444S

(12) **United States Design Patent**
Kim et al.

(10) **Patent No.:** **US D840,444 S**
(45) **Date of Patent:** **** Feb. 12, 2019**

(54) **REFRIGERATOR WITH AIR CONDITIONER**

(71) Applicant: **LG ELECTRONICS INC.**, Seoul (KR)

(72) Inventors: **Sanghun Kim**, Seoul (KR); **Kyungsoo Park**, Seoul (KR); **Seonil Yu**, Seoul (KR); **Hongsik Kwon**, Seoul (KR); **Hyun Choi**, Seoul (KR); **Wonjun Lee**, Seoul (KR)

(73) Assignee: **LG ELECTRONICS INC.**, Seoul (KR)

(**) Term: **15 Years**

(21) Appl. No.: **35/503,930**

(22) Filed: **May 10, 2017**

(80) **Hague Agreement Data**

Int. Filing Date: **May 10, 2017**
Int. Reg. No.: **DM/097165**
Int. Reg. Date: **May 10, 2017**
Int. Reg. Pub. Date: **Nov. 10, 2017**

(30) **Foreign Application Priority Data**

Nov. 11, 2016 (KR) 30-2016-0054370

(51) **LOC (11) Cl.** **15-07**

(52) **U.S. Cl.**
USPC **D15/86**
CPC **F24F 1/0003** (2013.01)

(58) **Field of Classification Search**
USPC D15/79-91
CPC F24F 1/0003; F24F 1/52; F24F 1/42
See application file for complete search history.

(56) **References Cited**

U.S. PATENT DOCUMENTS

2,984,086 A * 5/1961 Wertheimer F24F 1/0003
62/262
3,166,912 A * 1/1965 Patrick B60H 1/3202
62/337

3,850,006 A * 11/1974 Redfern B60H 1/005
62/216
3,912,475 A * 10/1975 Patrick B60H 1/323
62/244
4,030,313 A * 6/1977 Patrick B60H 1/3202
62/7
4,103,510 A * 8/1978 Hall B60H 1/005
62/243
4,821,530 A * 4/1989 Ledbetter F24F 5/0096
62/332
6,508,074 B1 * 1/2003 Cava B60H 1/3227
62/244
7,216,492 B2 * 5/2007 Sellers F24F 1/0003
62/298
D615,565 S * 5/2010 Kristiansen D15/86
D629,022 S * 12/2010 Cho D15/85
D656,967 S * 4/2012 Yi D15/86
D673,189 S * 12/2012 Kwak D15/86
D681,075 S * 4/2013 Yi D15/86
D691,644 S * 10/2013 Cho D15/86
D701,539 S * 3/2014 Saejin D15/85
D702,739 S * 4/2014 Kim D15/86

(Continued)

Primary Examiner — Richard E Chilcot
(74) *Attorney, Agent, or Firm* — Birch, Stewart, Kolasch & Birch, LLP

(57) **CLAIM**

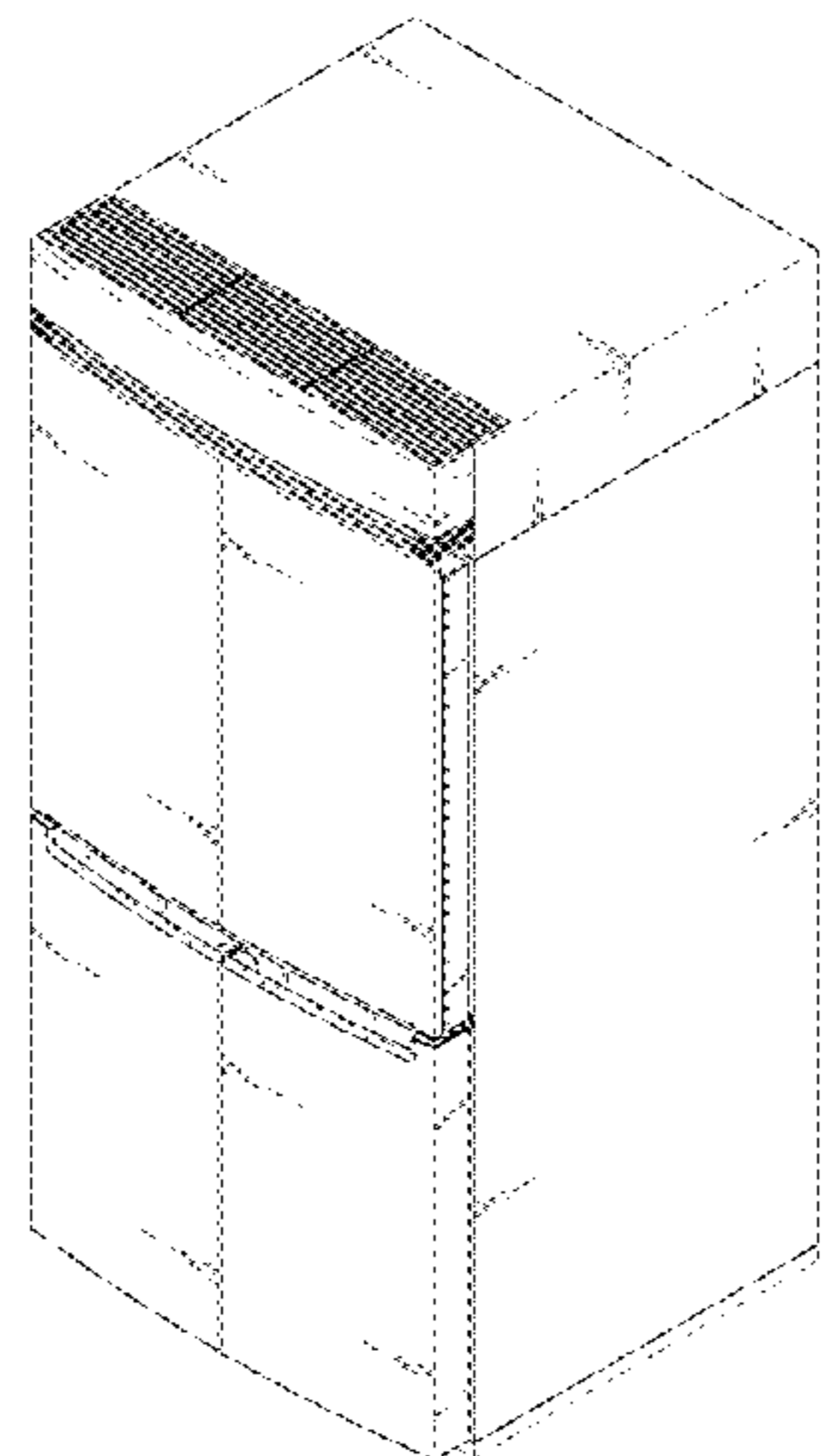
The ornamental design for a refrigerator with air conditioner, as shown and described.

DESCRIPTION

- 1. Refrigerator with air conditioner
- 1.1 : Perspective
- 1.2 : Front
- 1.3 : Back
- 1.4 : Left
- 1.5 : Top
- 1.6 : Bottom

The broken lines depict portions of the refrigerator with air conditioner that form no part of the claimed design.

1 Claim, 6 Drawing Sheets



(56)

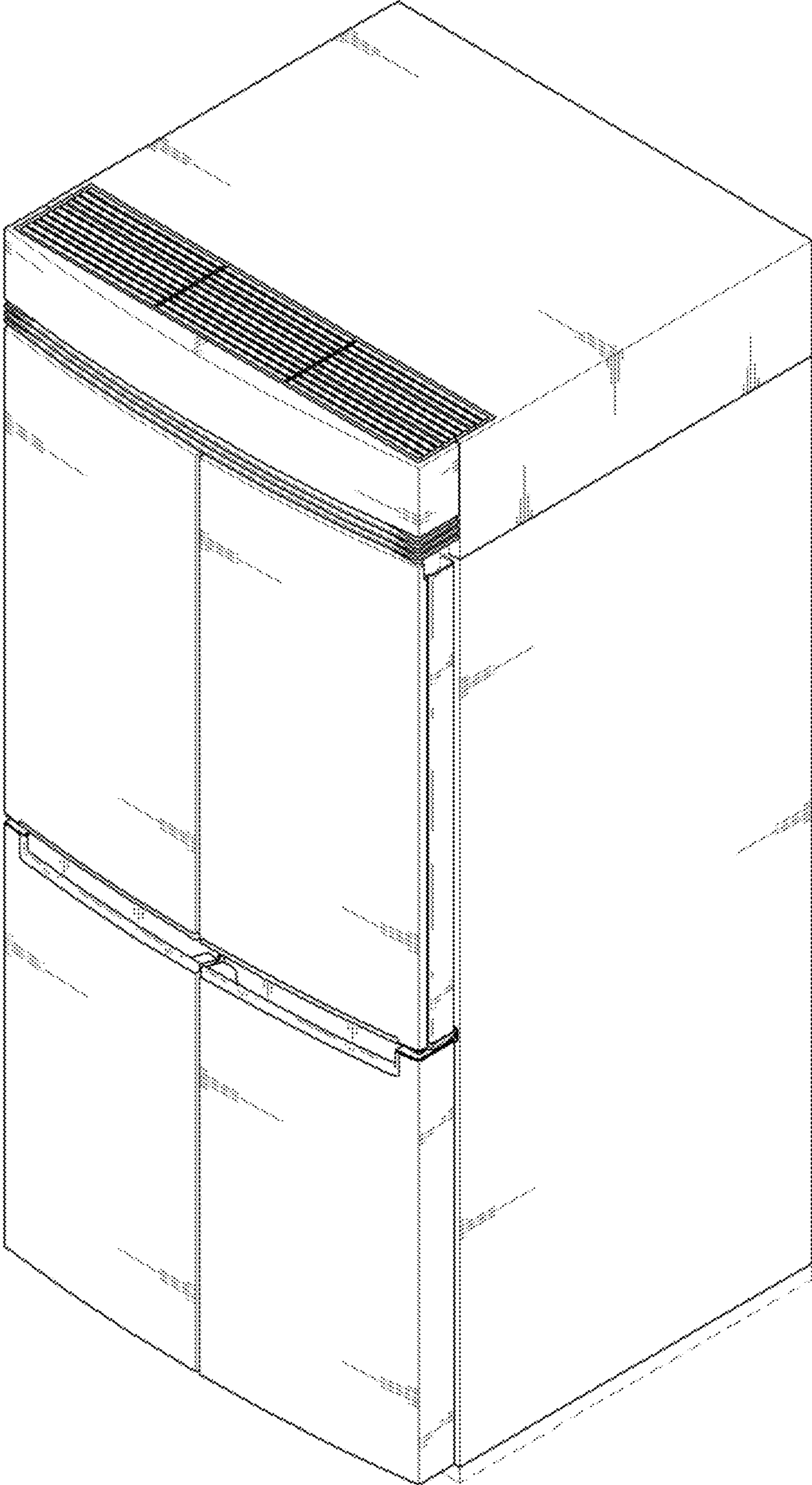
References Cited

U.S. PATENT DOCUMENTS

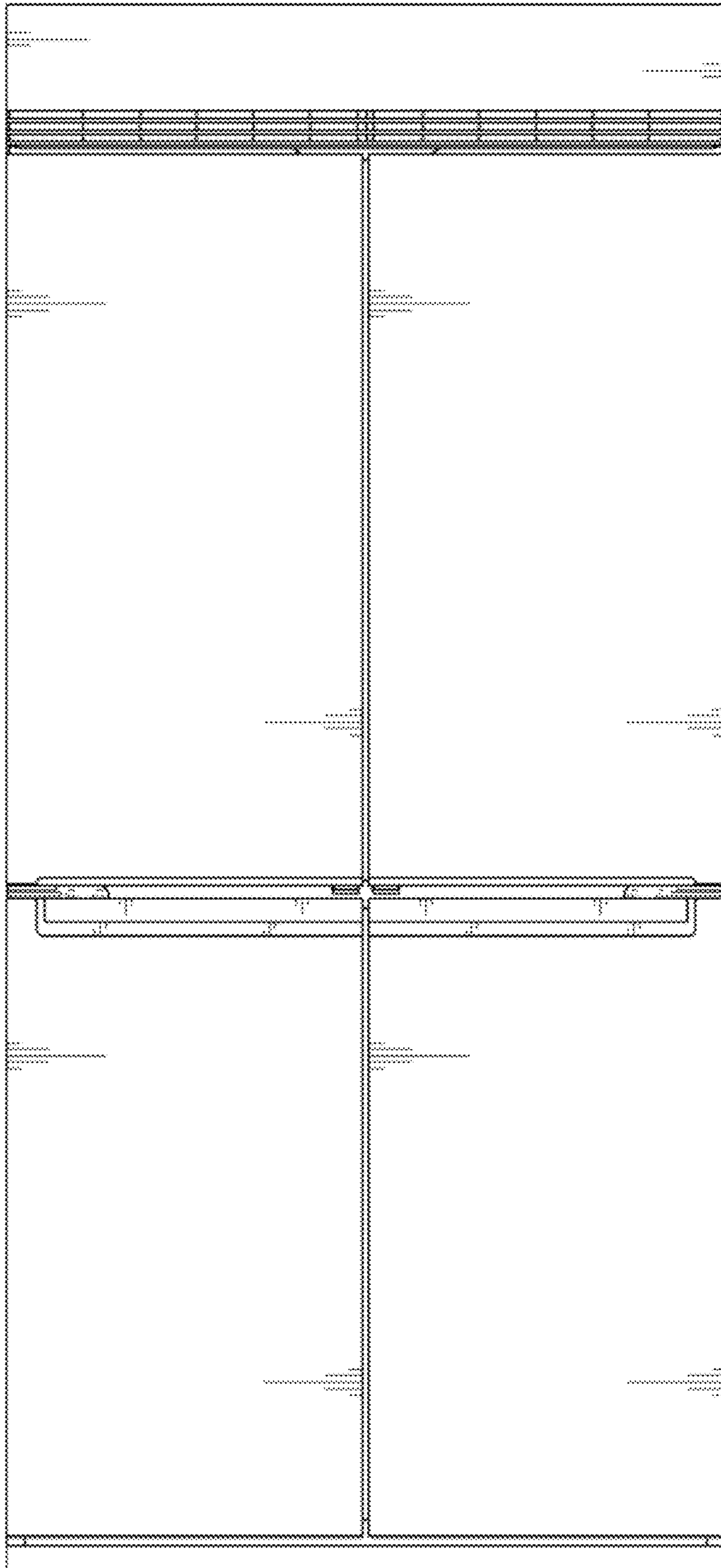
D724,629 S * 3/2015 Choi D15/85
D729,286 S * 5/2015 Kwak D15/85
D732,584 S * 6/2015 Sin D15/86
9,080,801 B2 * 7/2015 Arjomand F24F 1/027
D742,434 S * 11/2015 Yeo D15/86
D767,648 S * 9/2016 Shoemaker D15/86
D792,486 S * 7/2017 Li D15/81
D802,028 S * 11/2017 Li D15/81
D802,029 S * 11/2017 Li D15/81
D802,630 S * 11/2017 Li D15/81

* cited by examiner

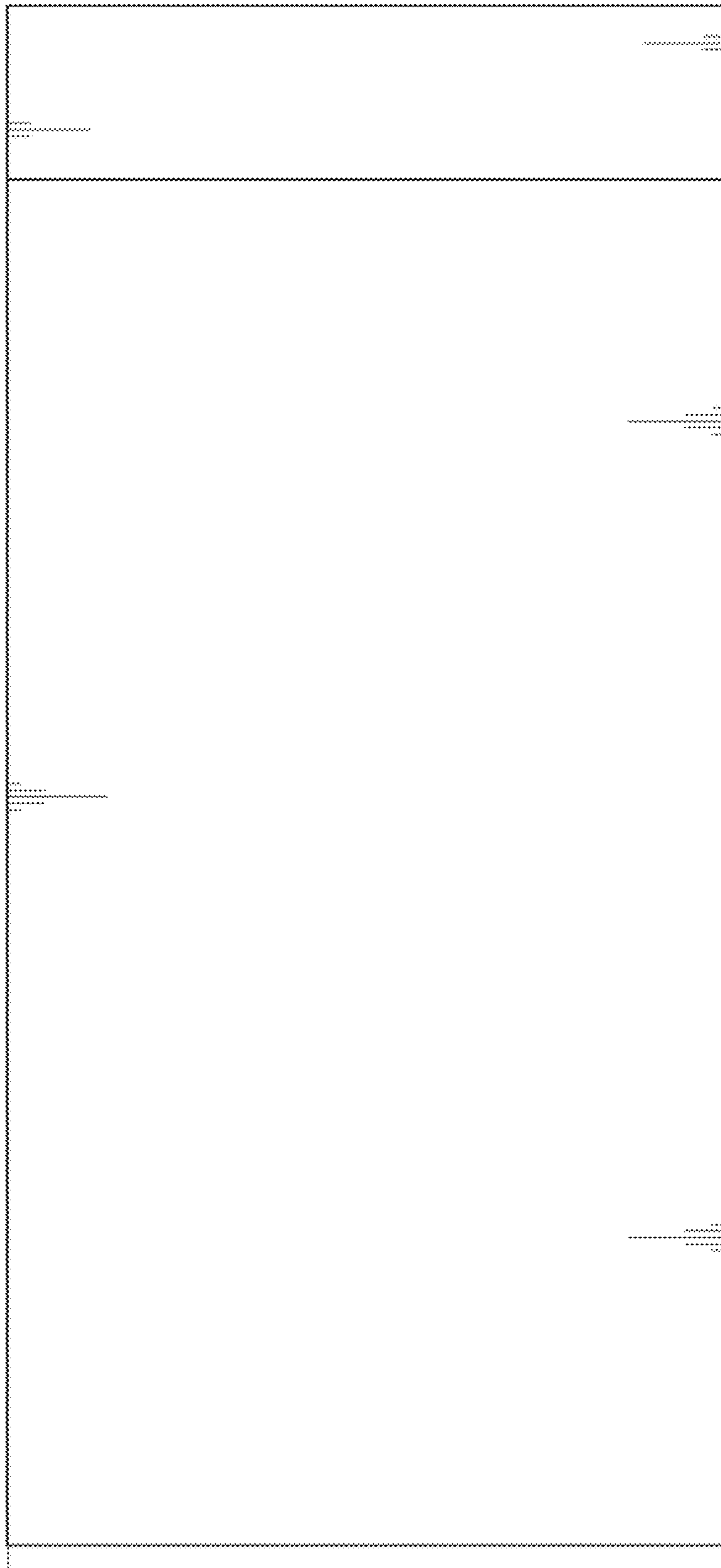
1.1



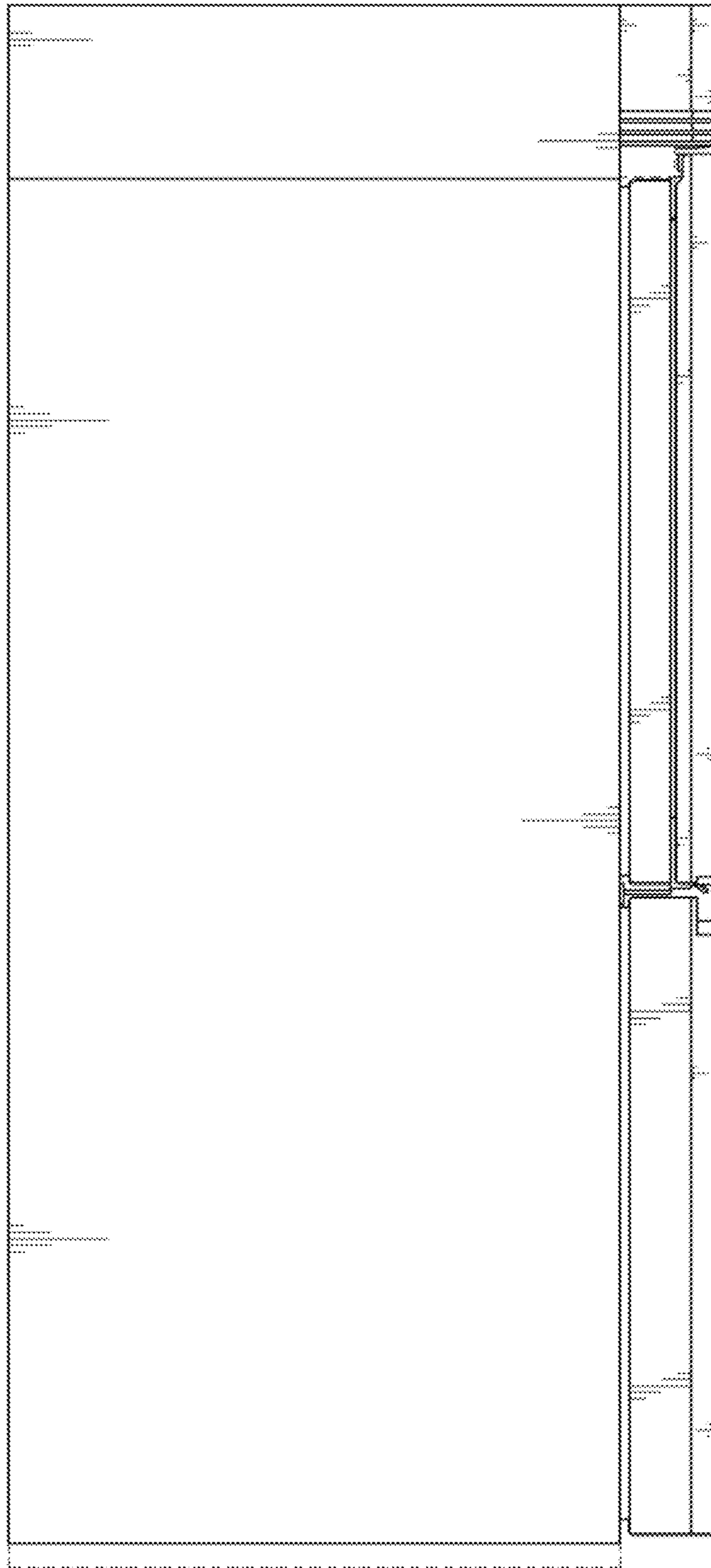
1.2



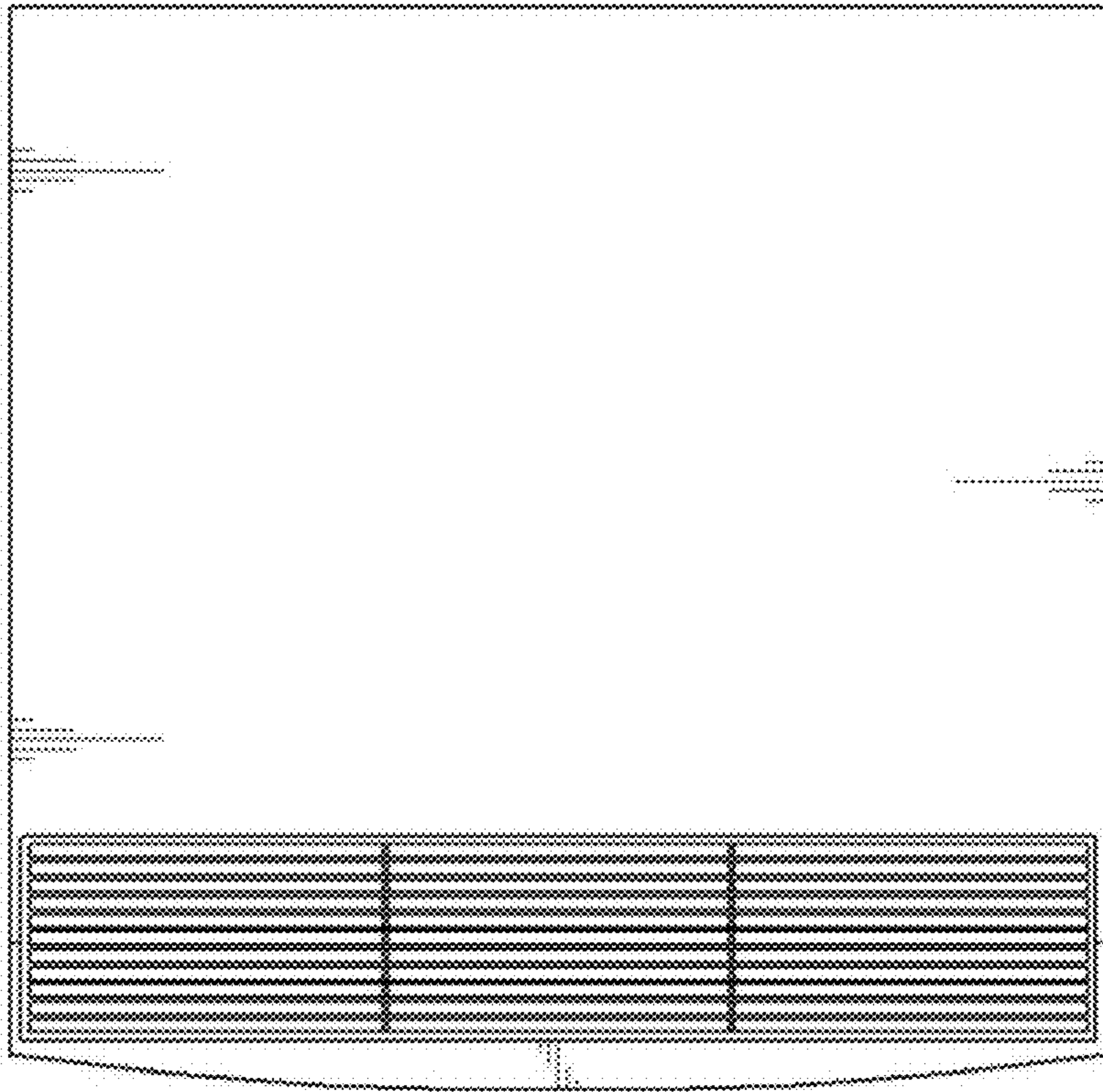
1.3



1.4



1.5



1.6

