



US00D840443S

(12) **United States Design Patent** (10) **Patent No.:** **US D840,443 S**
Aulisio (45) **Date of Patent:** **** Feb. 12, 2019**

(54) **REFRIGERATING APPARATUS**

(71) Applicant: **AULISION DI GIOVANNI AULISIO**,
Rome (IT)

(72) Inventor: **Giovanni Aulisio**, Rome (IT)

(73) Assignee: **AULISION DI GIOVANNI AULISIO**,
Rome (IT)

(**) Term: **15 Years**

(21) Appl. No.: **29/608,379**

(22) Filed: **Jun. 21, 2017**

(51) **LOC (11) Cl.** **15-07**

(52) **U.S. Cl.**
USPC **D15/81**

(58) **Field of Classification Search**
USPC D15/79-91; D20/1-9
CPC .. F25D 11/00; F25D 17/065; F25D 2325/022;
F25D 23/069; F25D 25/025; F25D 11/02;
F25D 17/062; F25D 21/12; F25D 21/125;
F25D 21/14; F25D 2317/061; F25D
2317/067; F25D 2323/021; F25D
2323/024; F25D 23/028; F25D 23/04;
F25D 23/066; F25D 23/085; F25D
23/087; F25D 23/126; F25D 2400/02;
F25D 2400/06; F25D 2400/361; F25D
2400/40; F25D 25/005; F25D 25/02;
F25D 2600/02; F25D 2700/02; F25D
2700/12; F25D 2700/121; F25D 2700/14;
F25D 29/00

See application file for complete search history.

(56) **References Cited**

U.S. PATENT DOCUMENTS

D119,818 S *	4/1940	Loewy	D20/4
D187,618 S *	4/1960	Moore	D20/4
D426,578 S *	6/2000	Ogomori	D20/4
D627,374 S *	11/2010	Yang	D15/81
D738,407 S *	9/2015	Rinderer	D15/81
D743,452 S *	11/2015	Zubieta	D15/79
D763,355 S *	8/2016	Stolarz	D20/8
D788,185 S *	5/2017	Wolfe	D15/79
D788,225 S *	5/2017	Cortini	D20/4

* cited by examiner

Primary Examiner — Ian Simmons
Assistant Examiner — Khawaja Anwar
(74) *Attorney, Agent, or Firm* — Thomas | Horstemeyer,
LLP

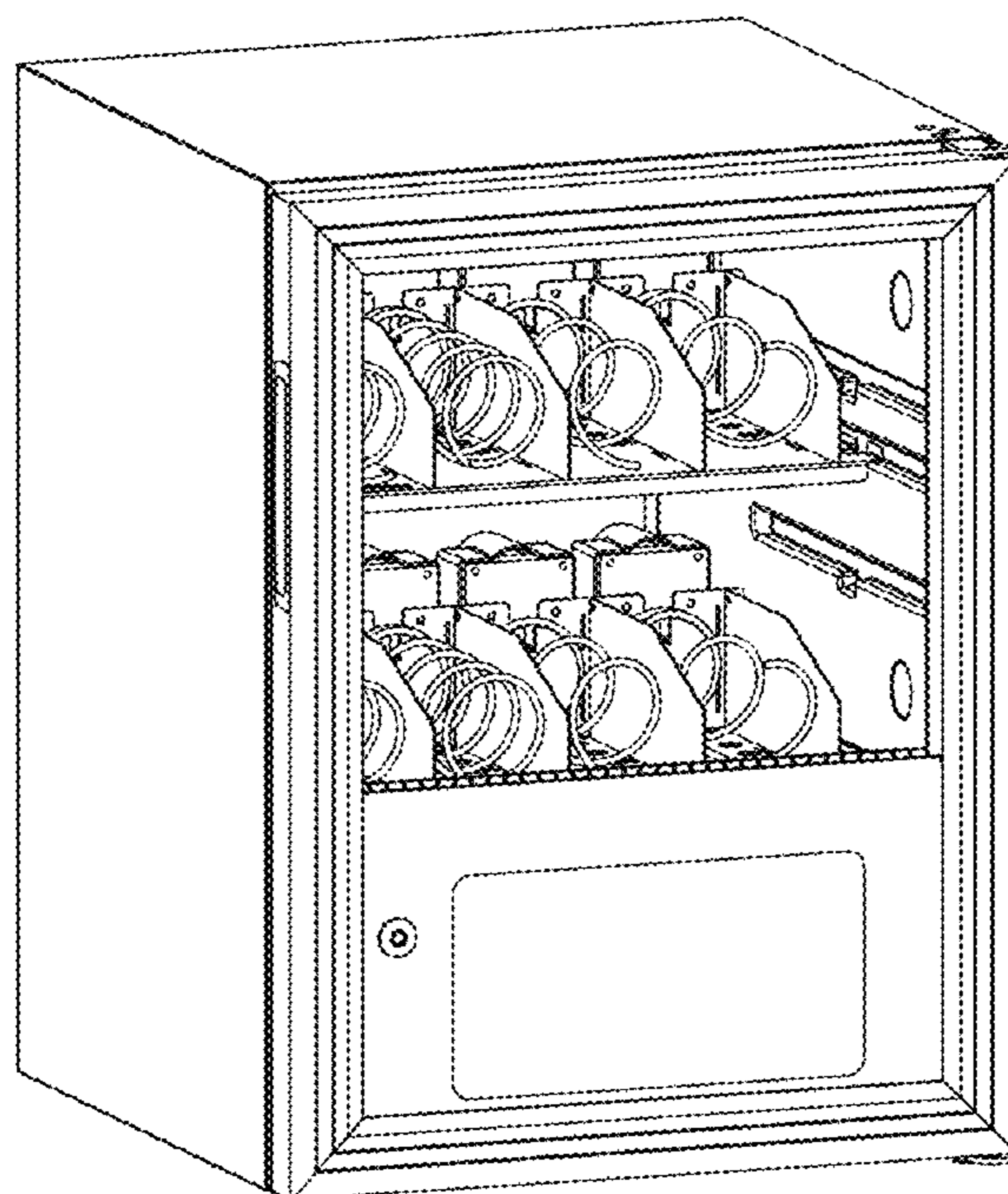
(57) **CLAIM**

The ornamental design for a refrigerating apparatus, as shown and described.

DESCRIPTION

FIG. 1 is a perspective view of a refrigerating apparatus, showing my new design;
FIG. 2 is a front view thereof;
FIG. 3 is a side view thereof;
FIG. 4 is a rear view thereof;
FIG. 5 is a top view thereof; and,
FIG. 6 is bottom view thereof.
The broken lines are for the purpose of illustrating portions of the refrigerating apparatus that form no part of the claimed design.

1 Claim, 6 Drawing Sheets



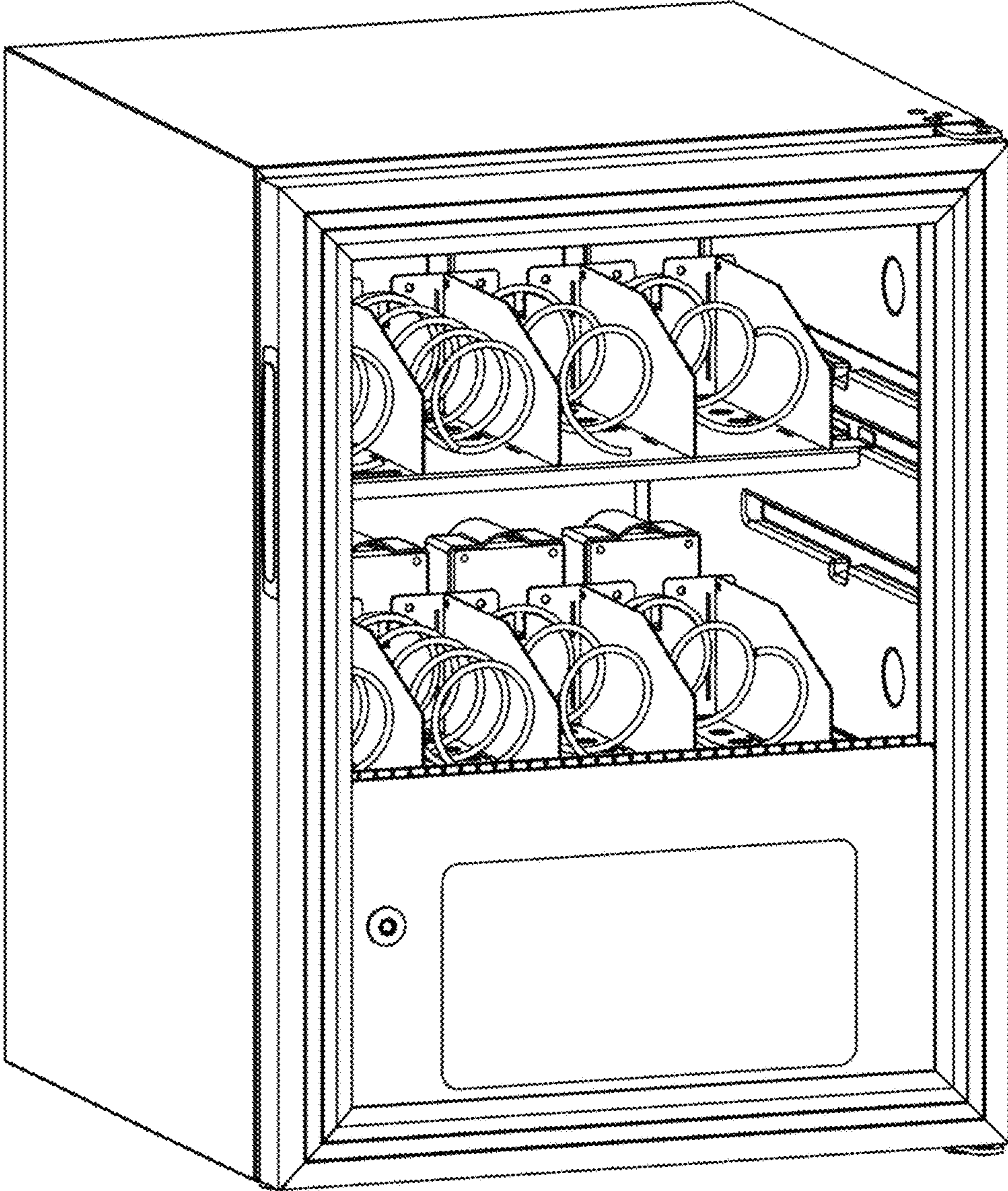


FIG. 1

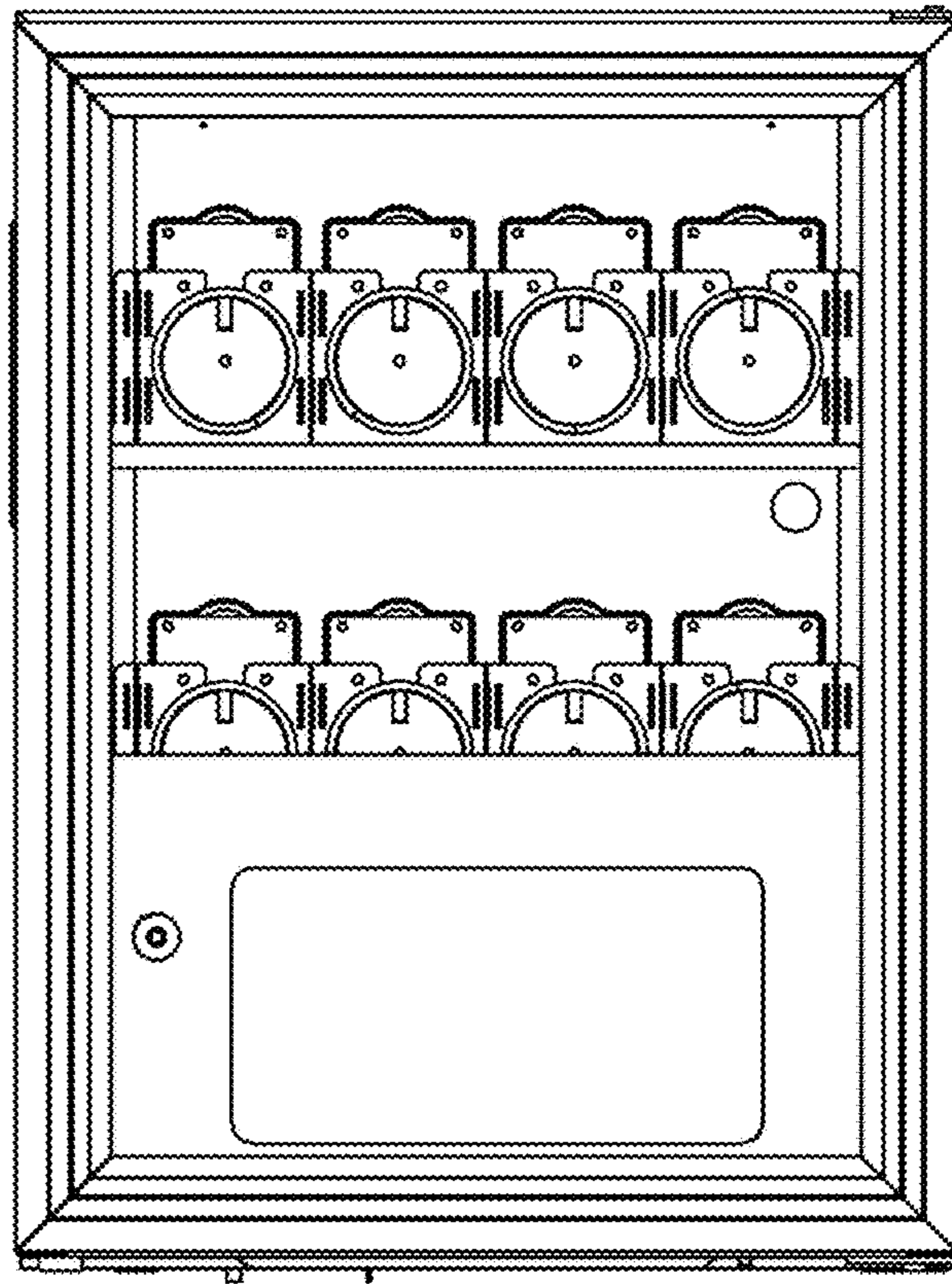


FIG. 2

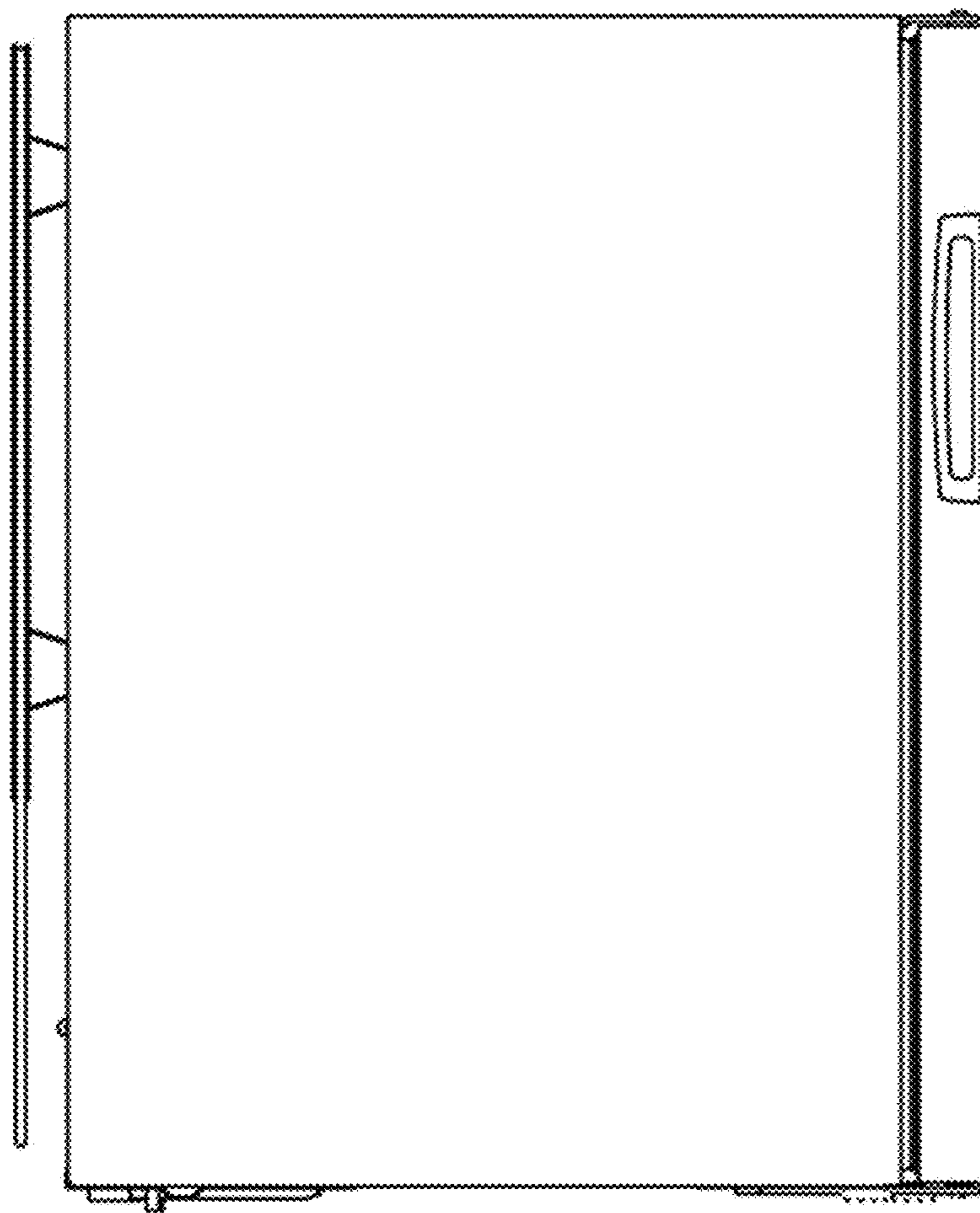


FIG. 3

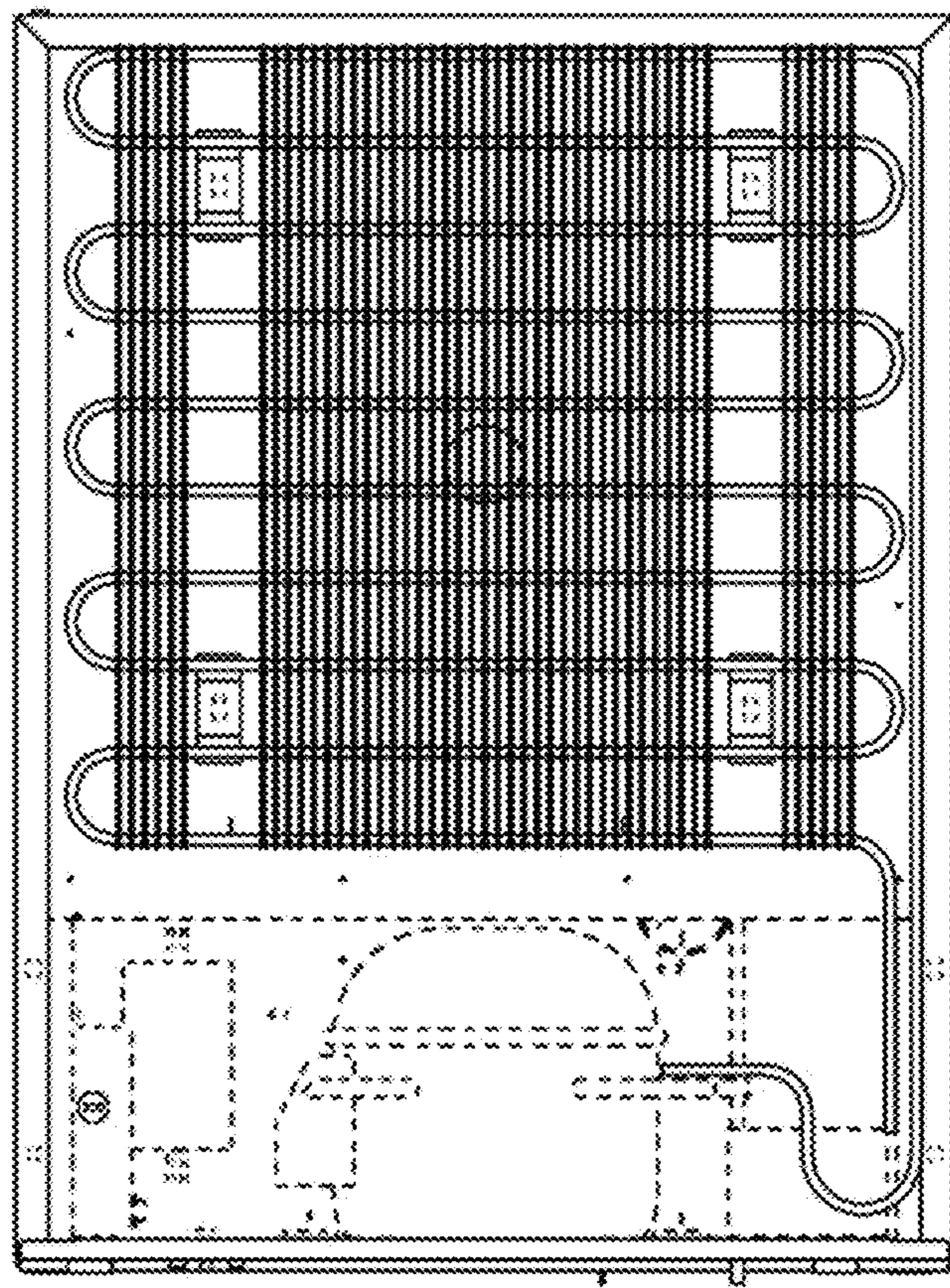


FIG. 4

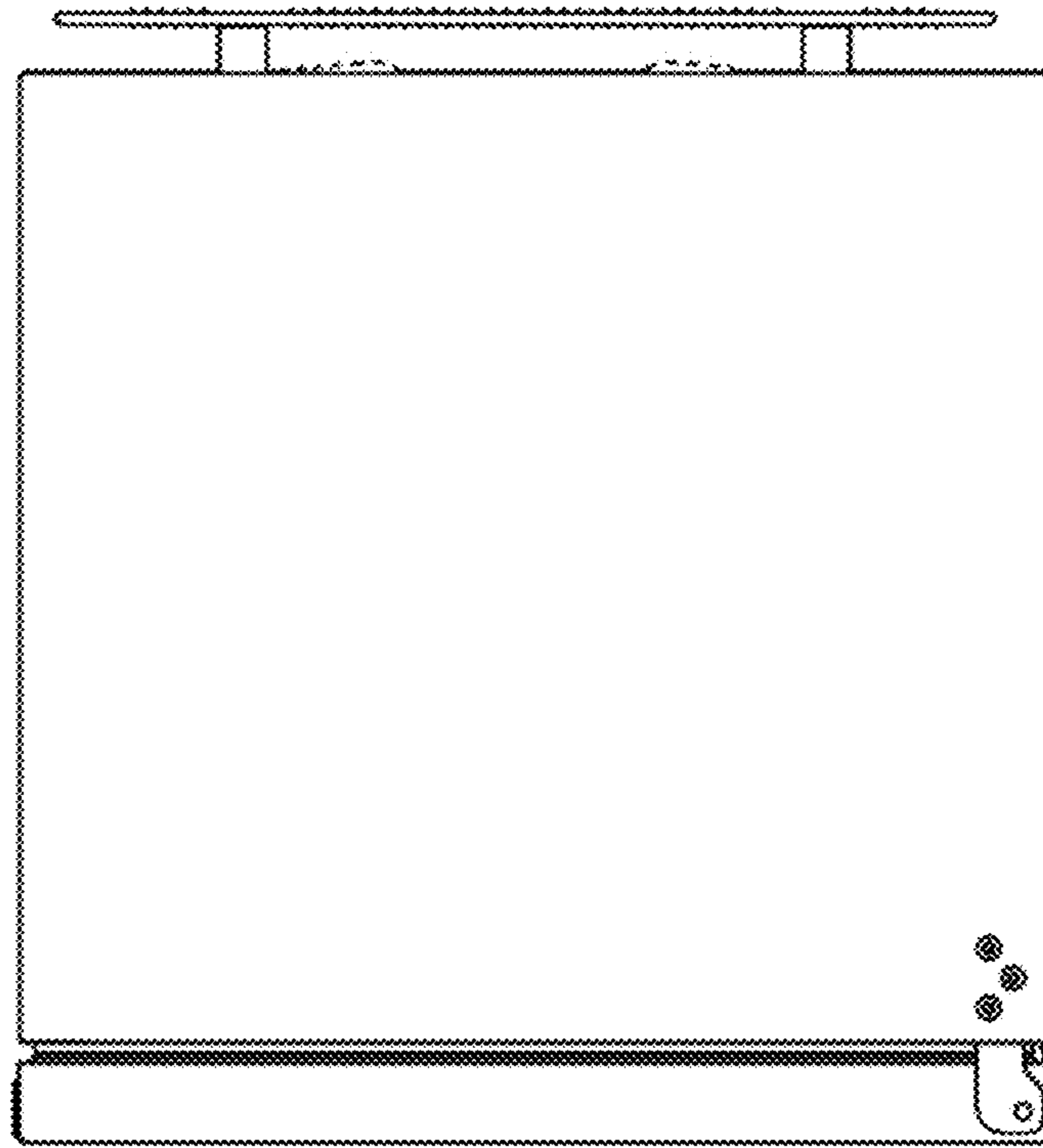


FIG. 5

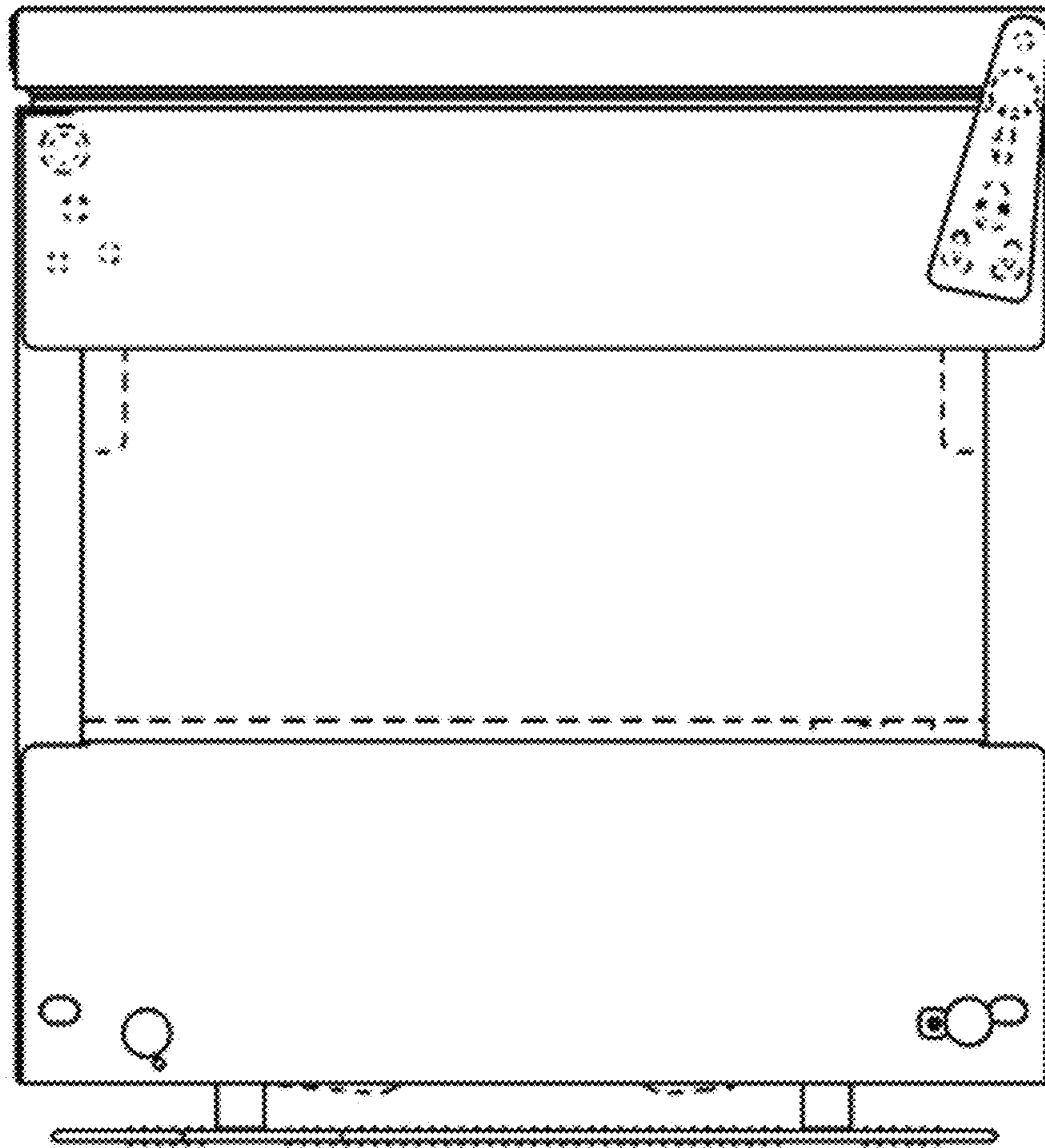


FIG. 6