



US00D840438S

(12) **United States Design Patent** (10) **Patent No.:** **US D840,438 S**
Mikulic et al. (45) **Date of Patent:** **** Feb. 12, 2019**

(54) **COMPRESSOR**

(71) Applicant: **BITZER Kuehlmaschinenbau GmbH**, Sindelfingen (DE)

(72) Inventors: **Tihomir Mikulic**, Holzgerlingen (DE); **Marcus Pabst**, Rottenburg (DE)

(73) Assignee: **BITZER Kuehlmaschinenbau GmbH**, Sindelfingen (DE)

(**) Term: **15 Years**

(21) Appl. No.: **29/618,442**

(22) Filed: **Sep. 21, 2017**

(30) **Foreign Application Priority Data**

Mar. 22, 2017 (EM) 003816818
Mar. 22, 2017 (EM) 003816818-0001
Mar. 22, 2017 (EM) 003816818-0002

(51) **LOC (11) Cl.** **15-09**

(52) **U.S. Cl.**
USPC **D15/9**

(58) **Field of Classification Search**
USPC D15/7-9; D23/231, 232, 225; 417/60, 417/235, 265, 321, 355, 358, 363, 359,
(Continued)

(56) **References Cited**

U.S. PATENT DOCUMENTS

D285,447 S * 9/1986 Dudeck D15/7
D394,068 S 5/1998 Pollrich et al.
(Continued)

OTHER PUBLICATIONS

U.S. Appl. No. 29/539,144, filed Sep. 11, 2015, Christensen.
(Continued)

Primary Examiner — Ralf Seifert

(74) *Attorney, Agent, or Firm* — Reinhart Boerner Van Deuren P.C.

(57) **CLAIM**

We claim the ornamental design for compressor, as shown and described.

DESCRIPTION

The design application contains at least one drawing executed in color. Copies of this design application publication with color drawings will be provided by the Office upon request and payment of the necessary fee.

FIG. 1 is a perspective view from the front and left hand side of a compressor in accordance with an embodiment of the present invention;

FIG. 2 is a top view of the compressor shown in FIG. 1;

FIG. 3 is a left side view of the compressor shown in FIG. 1;

FIG. 4 is a right side view of the compressor shown in FIG. 1;

FIG. 5 is a front view of the compressor shown in FIG. 1;

FIG. 6 is a rear view of the compressor shown in FIG. 1;

FIG. 7 is a bottom view of the compressor shown in FIG. 1;

FIG. 8 is a front and left hand side perspective view a compressor showing the second embodiment of our new design illustrated as a color drawing.

FIG. 9 is a top view of the compressor shown in FIG. 8;

FIG. 10 is a left side view of the compressor shown in FIG. 8;

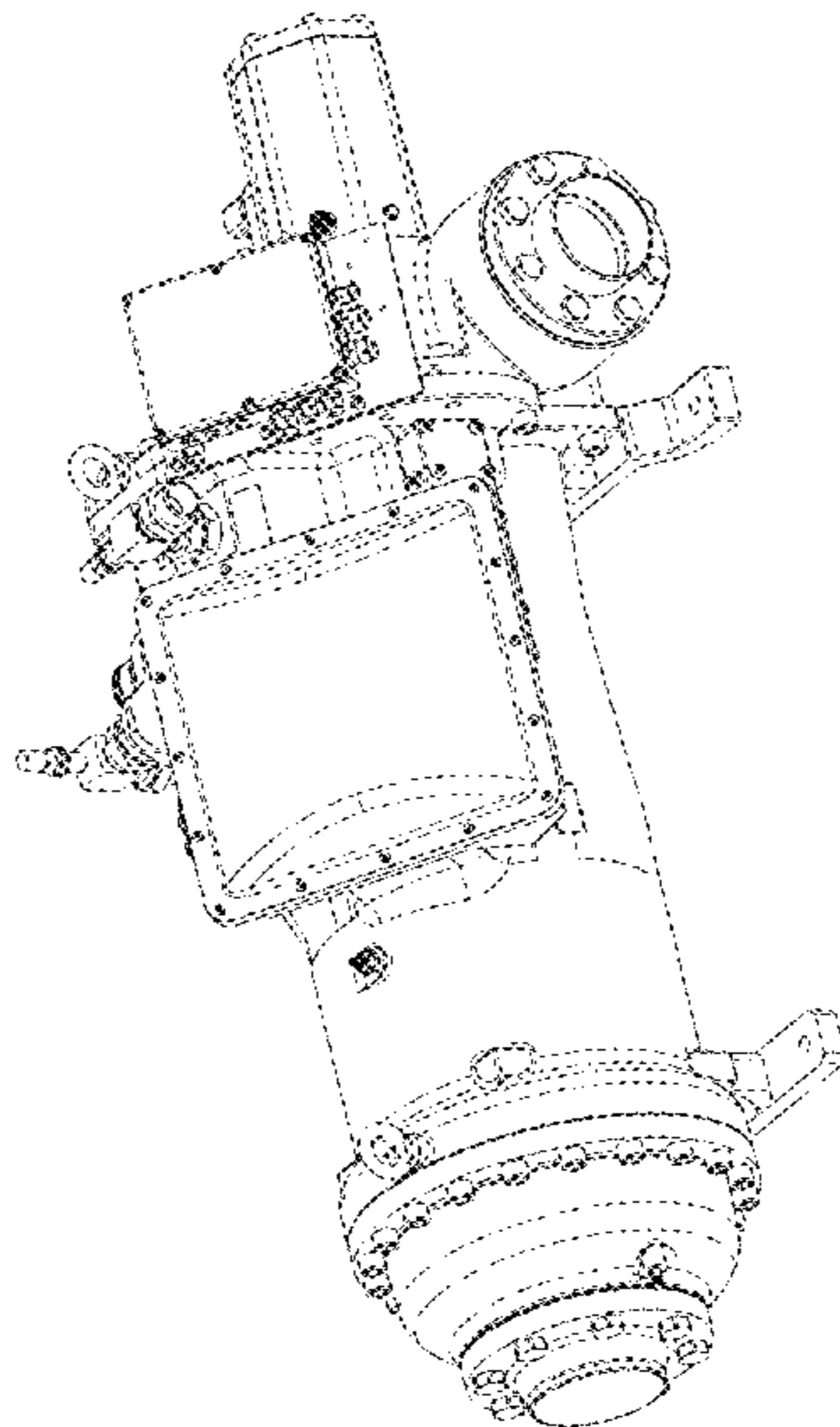
FIG. 11 is a right side view of the compressor shown in FIG. 8;

FIG. 12 is a front view of the compressor shown in FIG. 8;

FIG. 13 is a rear view of the compressor shown in FIG. 8; and,

FIG. 14 is a bottom view of the compressor shown in FIG. 8.

1 Claim, 14 Drawing Sheets
(7 of 14 Drawing Sheet(s) Filed in Color)



(58) **Field of Classification Search**

USPC 417/410.1, 415–416, 405, 900, 269, 539;
 60/408, 412; 184/26–37; 415/140–147;
 123/495, 509; 137/565.34
 CPC F02M 37/04; F02M 37/14; F04B 53/92;
 F04B 1/005; F04D 13/06; F04D 29/22;
 F04D 29/046; F04D 29/2266
 See application file for complete search history.

D695,318 S * 12/2013 Link D15/9
 D709,524 S 7/2014 Ohser et al.
 D713,860 S * 9/2014 Pedrollo D15/7
 D717,344 S 11/2014 Ohser et al.
 D732,641 S 6/2015 Hermann
 D733,764 S 7/2015 Ohser
 D745,058 S * 12/2015 Iversen D15/7
 D745,896 S 12/2015 Ohser et al.
 D754,754 S * 4/2016 Wang D15/9
 D761,326 S 7/2016 Kienzle et al.
 D763,322 S * 8/2016 Haugaard D15/7
 D763,323 S 8/2016 Mikulic
 D777,213 S 1/2017 Ohser
 D777,794 S 1/2017 Wipper et al.
 D800,789 S * 10/2017 Luke D15/7
 D807,924 S * 1/2018 Wilkie D15/7

(56) **References Cited**

U.S. PATENT DOCUMENTS

D467,254 S 12/2002 Ullrich
 D479,247 S 9/2003 Ullrich
 D485,565 S * 1/2004 Martinello D15/7
 D531,194 S 10/2006 Hertenstein et al.
 D538,826 S 3/2007 Kienzle
 D591,310 S * 4/2009 Soja D15/7
 D595,748 S 7/2009 Kratschmer
 D650,813 S * 12/2011 Varini D15/7
 D684,197 S 6/2013 Kienzle et al.
 D690,324 S 9/2013 Kienzle et al.

OTHER PUBLICATIONS

U.S. Appl. No. 29/599,787, filed Apr. 6, 2017, Loerch et al.
 U.S. Appl. No. 29/616,611, filed Sep. 7, 2017, Mikesch.
 U.S. Appl. No. 29/434,711, filed Oct. 16, 2012, Hermann.

* cited by examiner

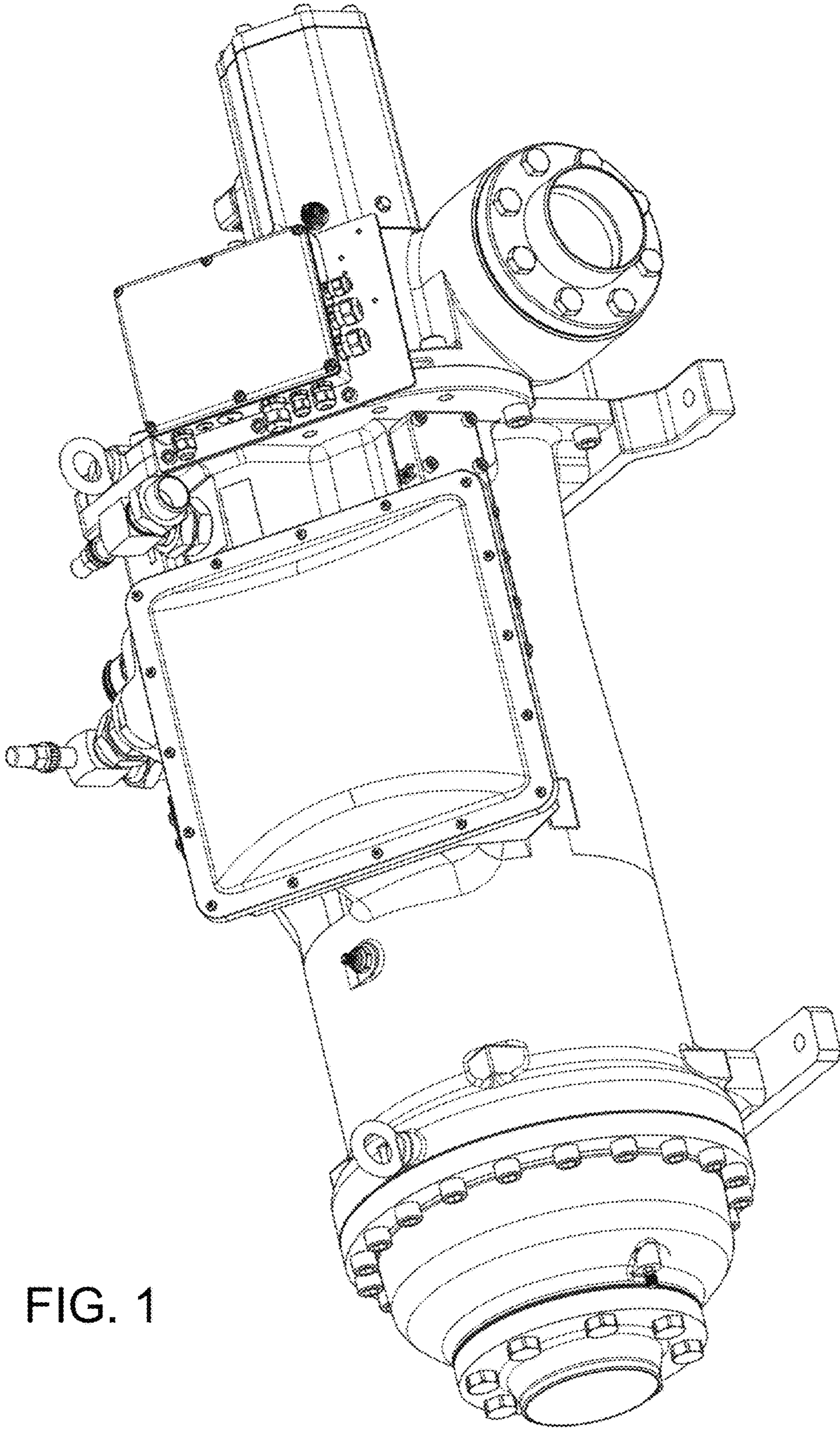


FIG. 1

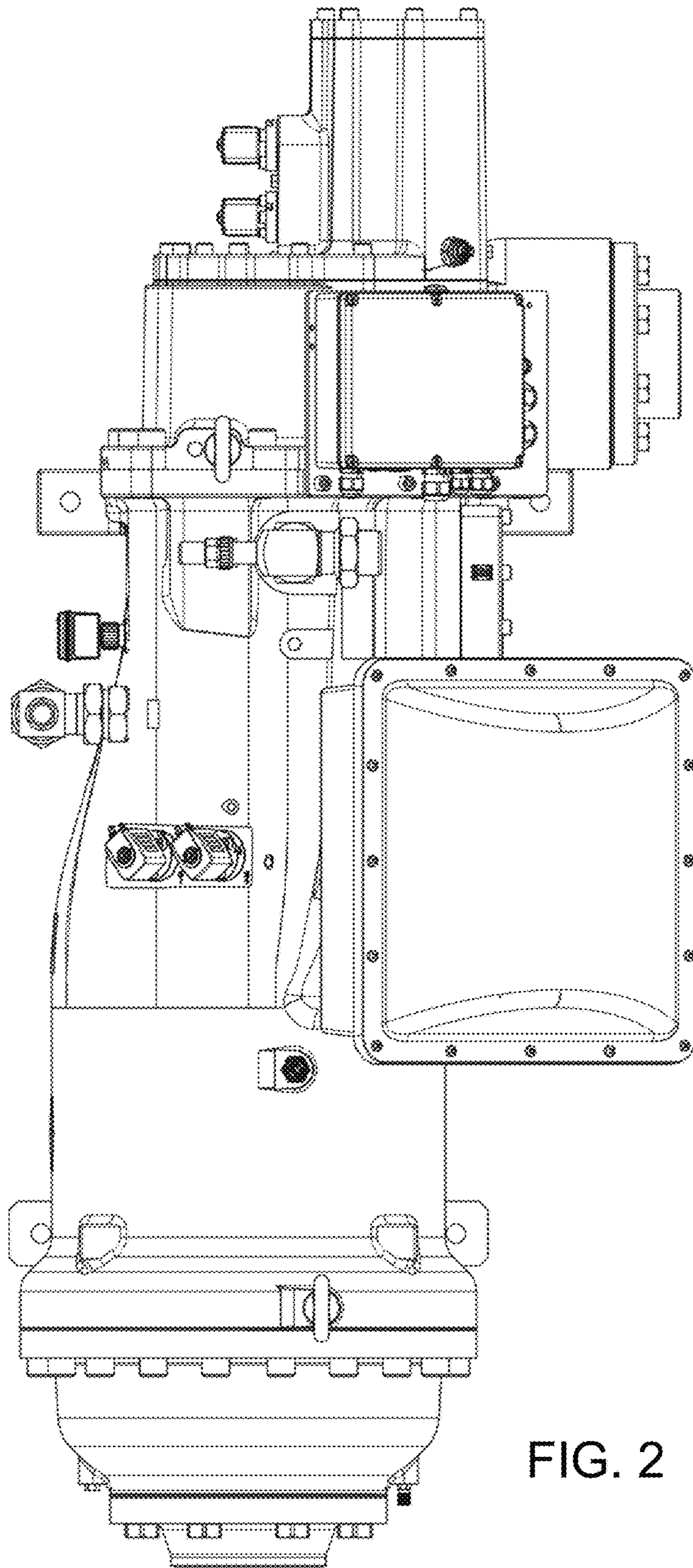


FIG. 2

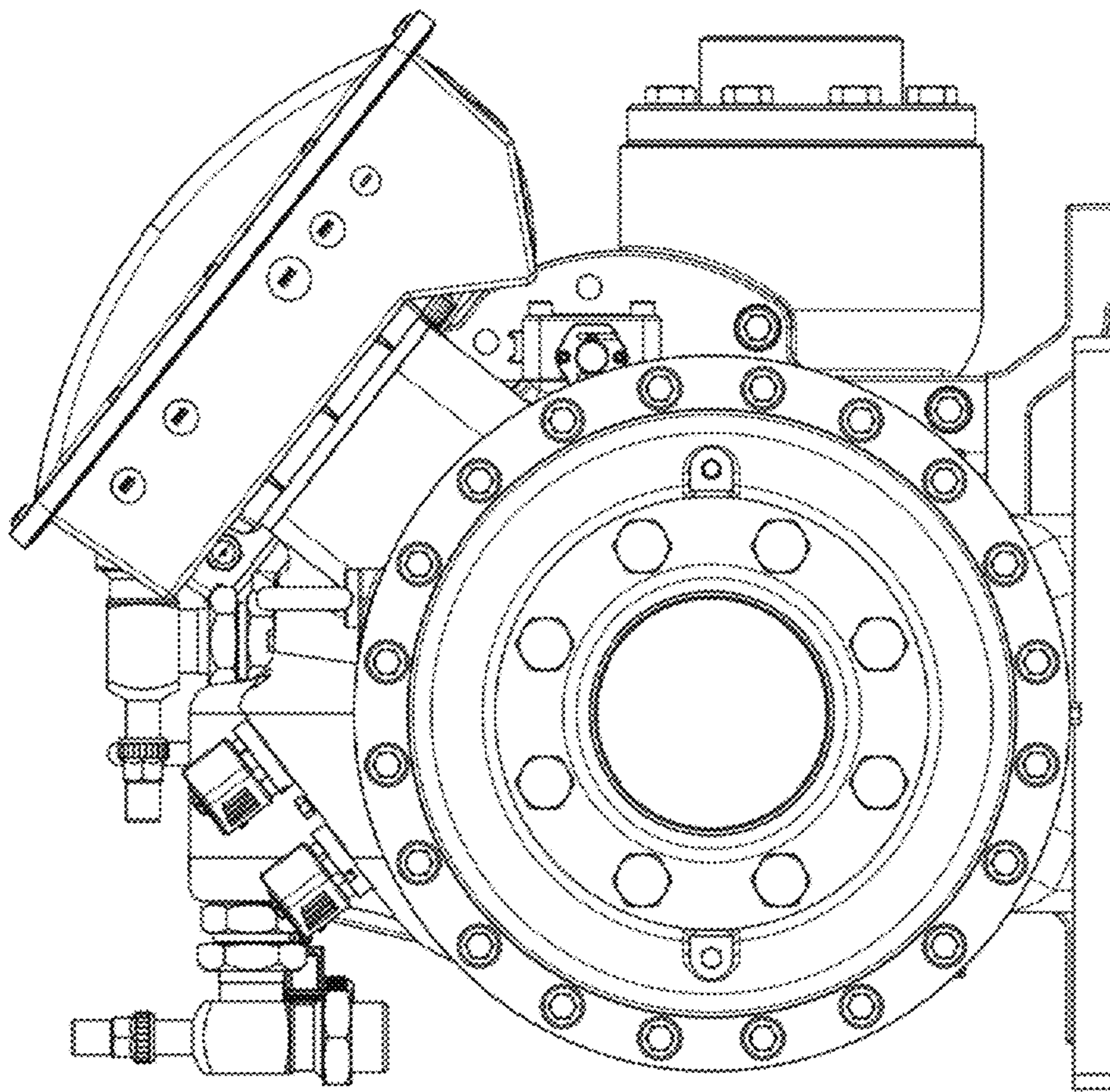


FIG. 3

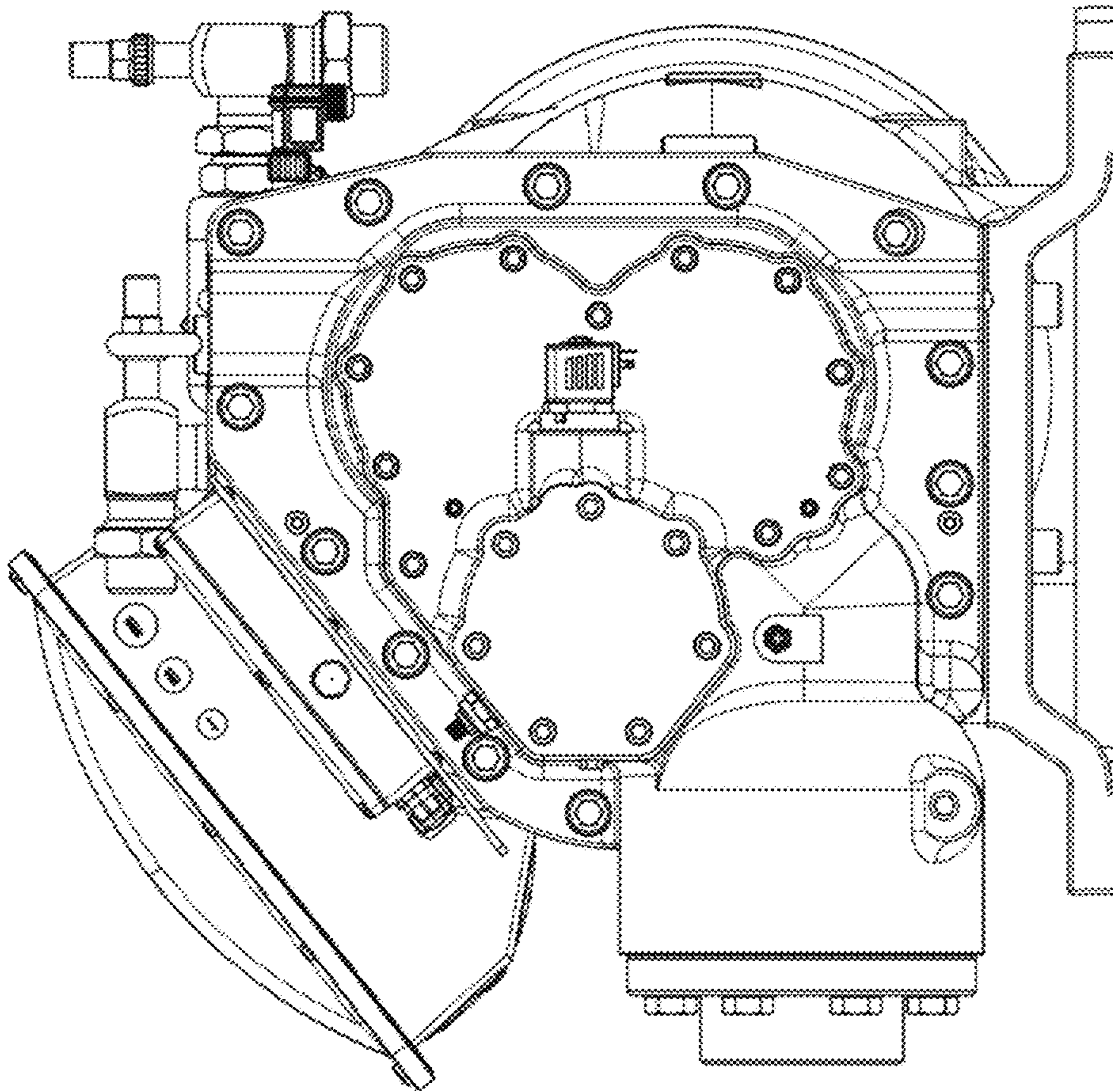


FIG. 4

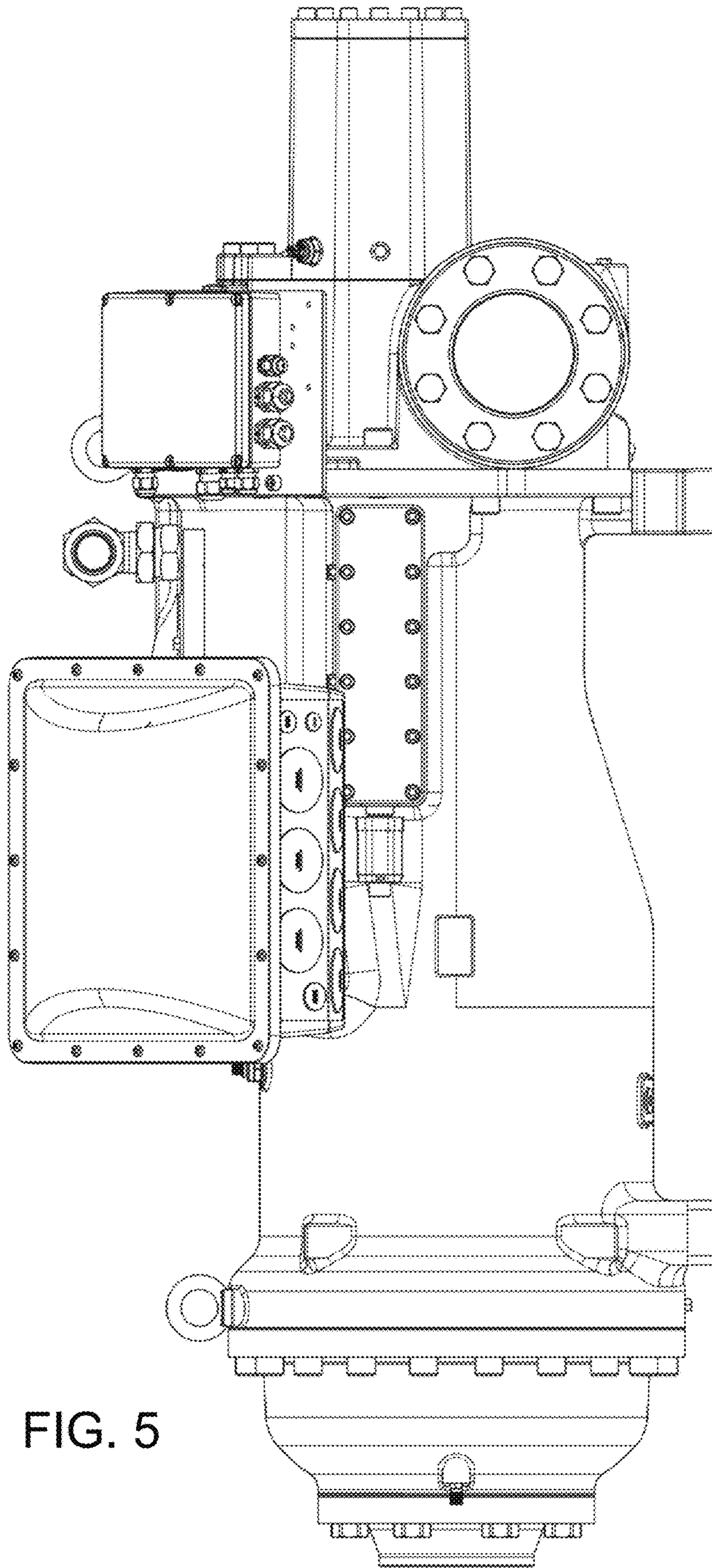


FIG. 5

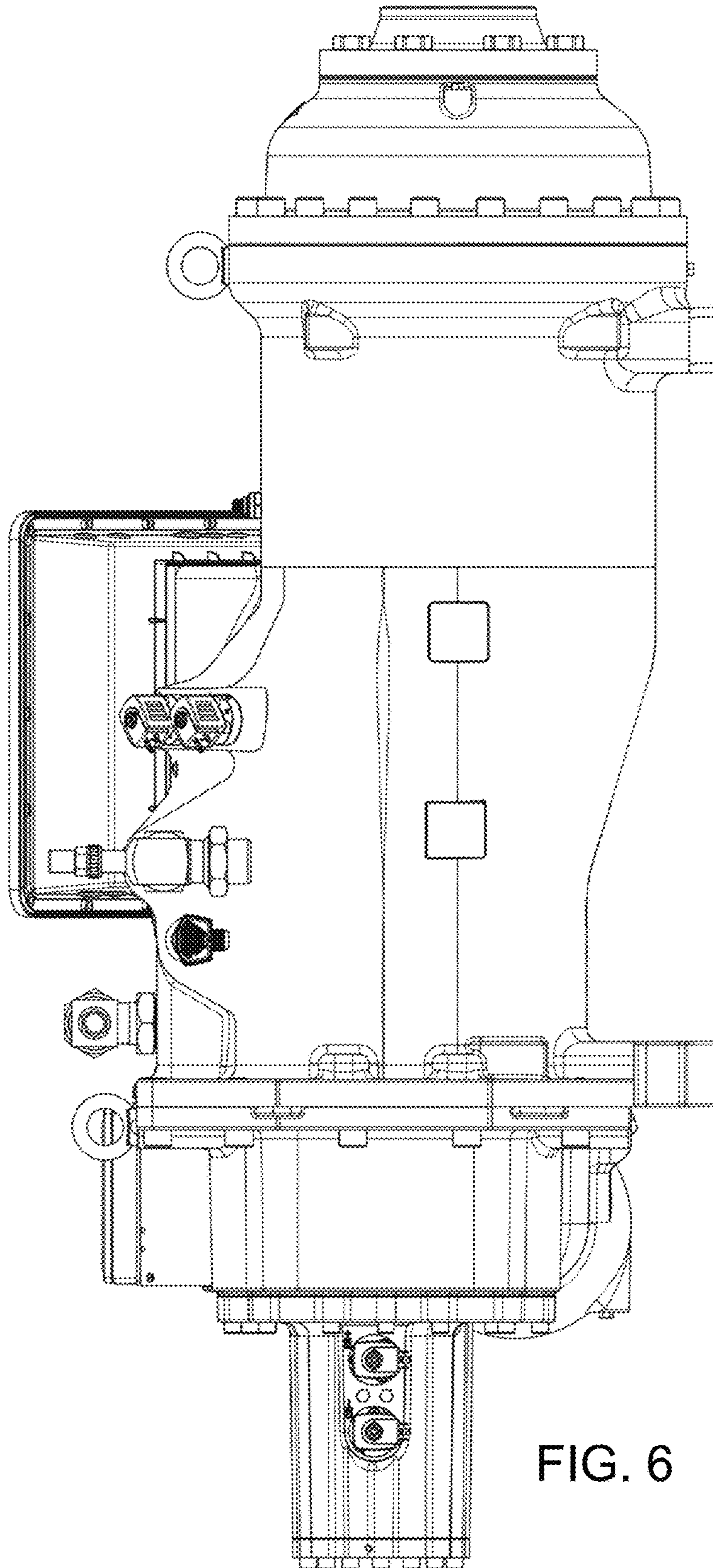


FIG. 6

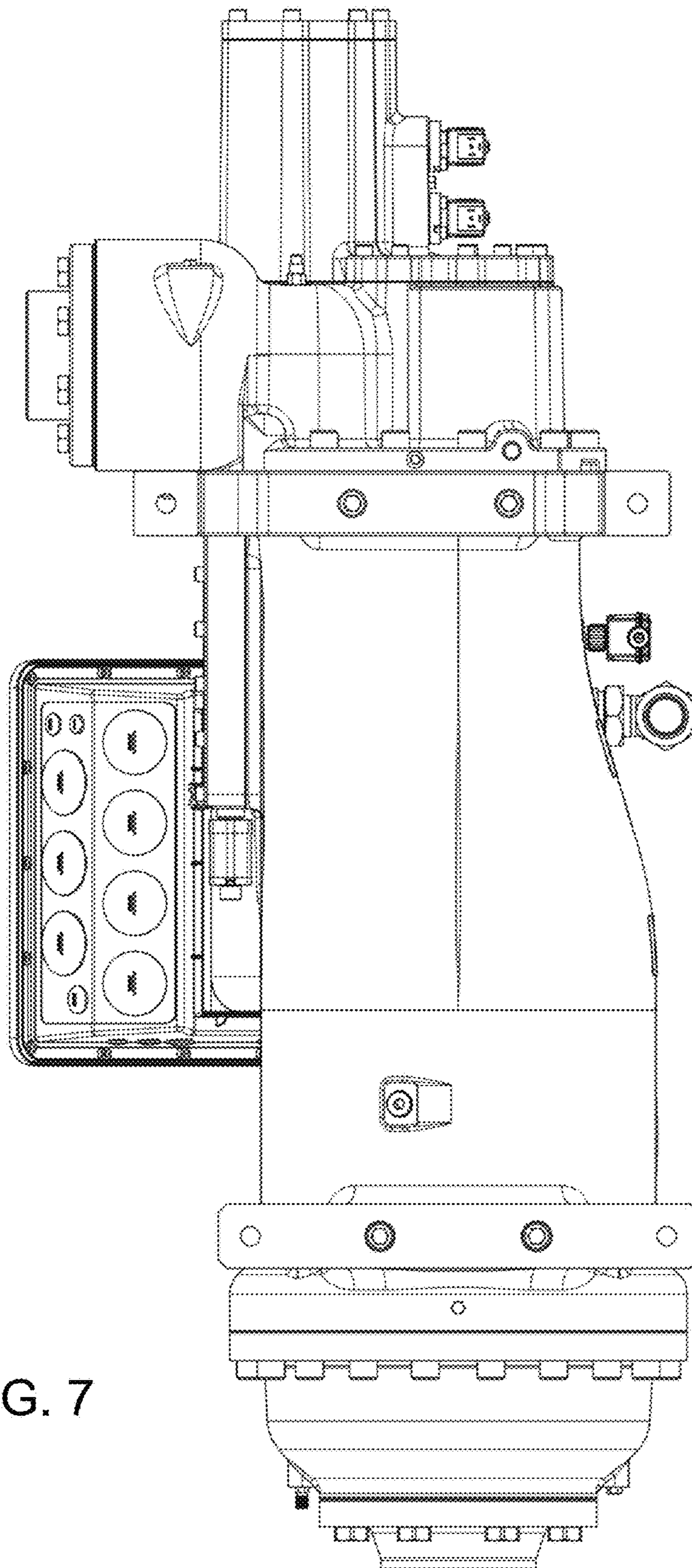


FIG. 7

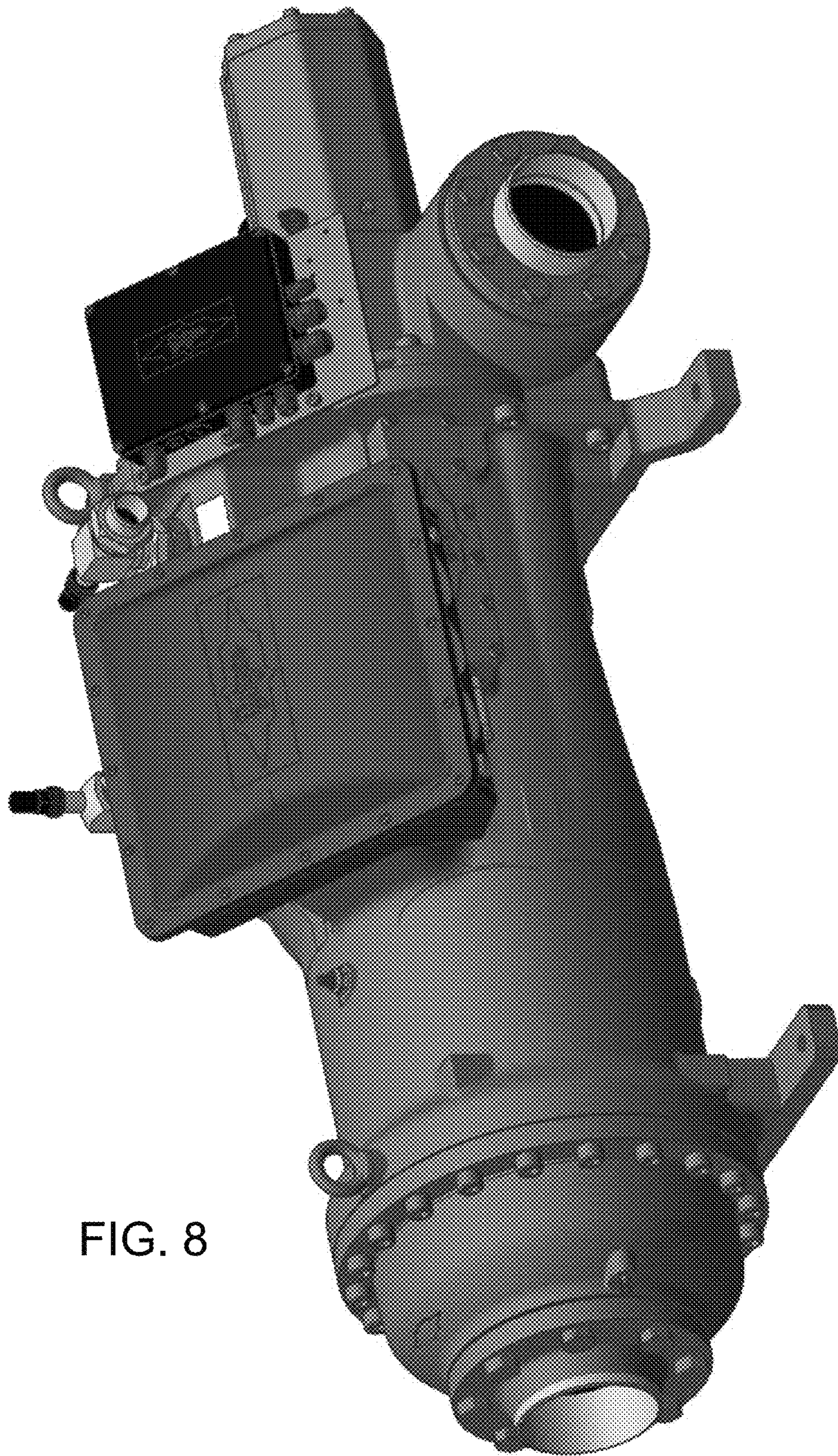


FIG. 8

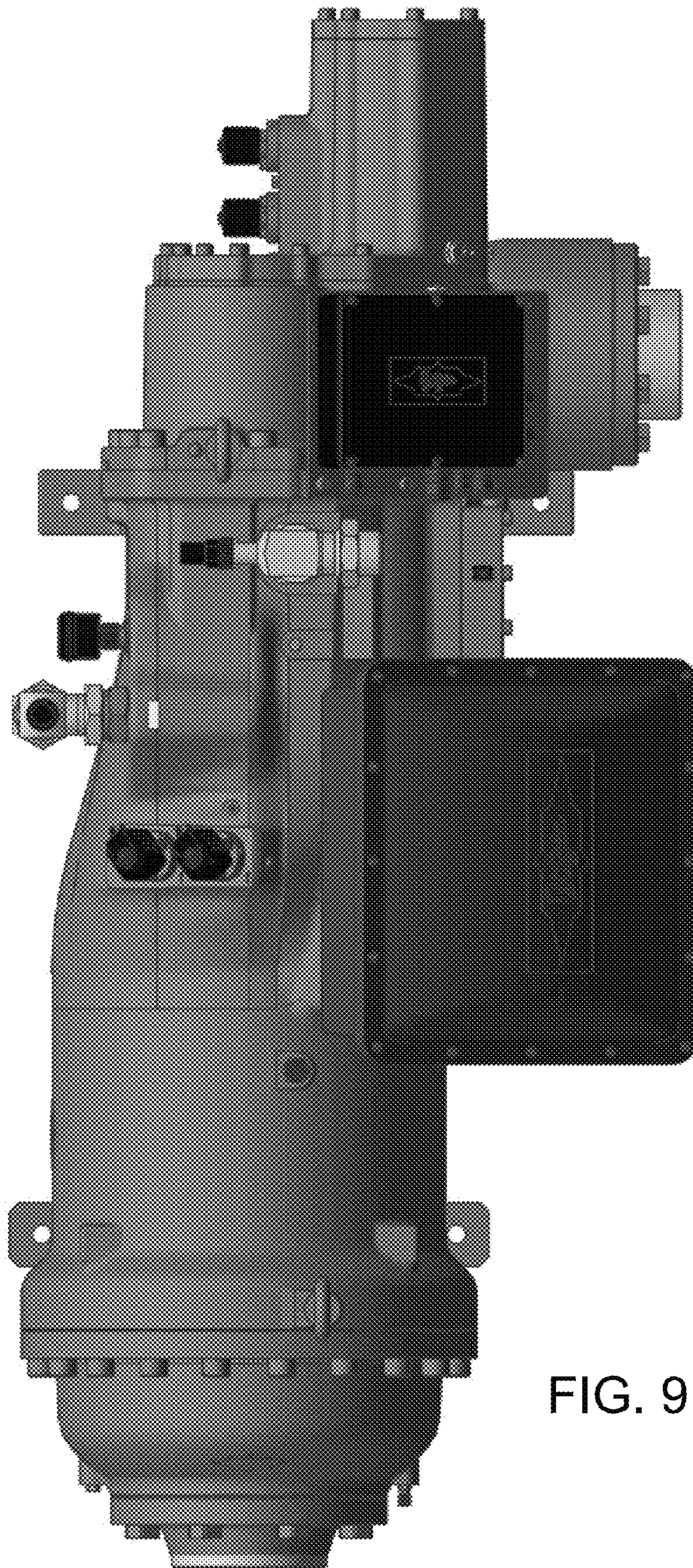


FIG. 9

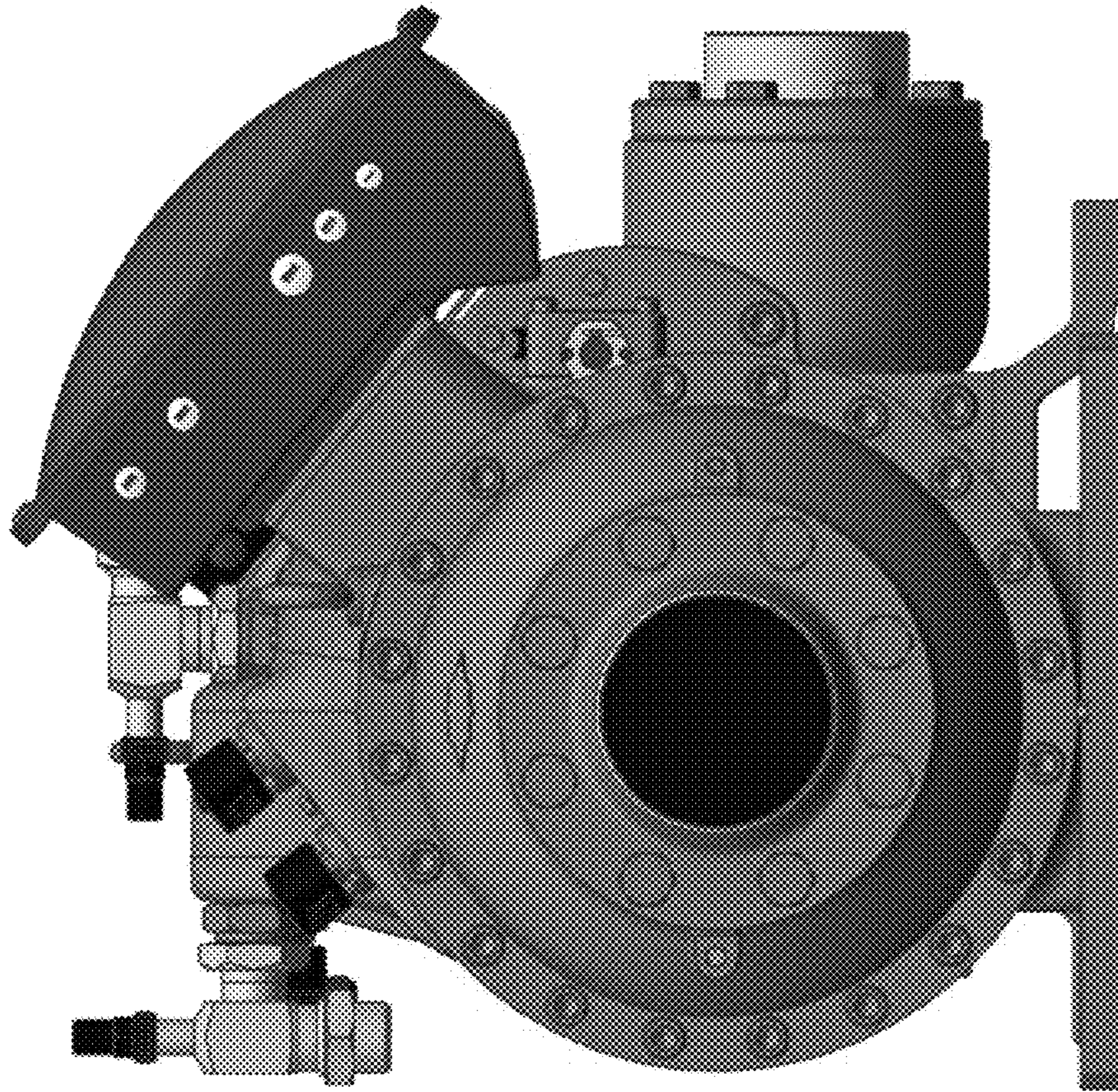


FIG. 10

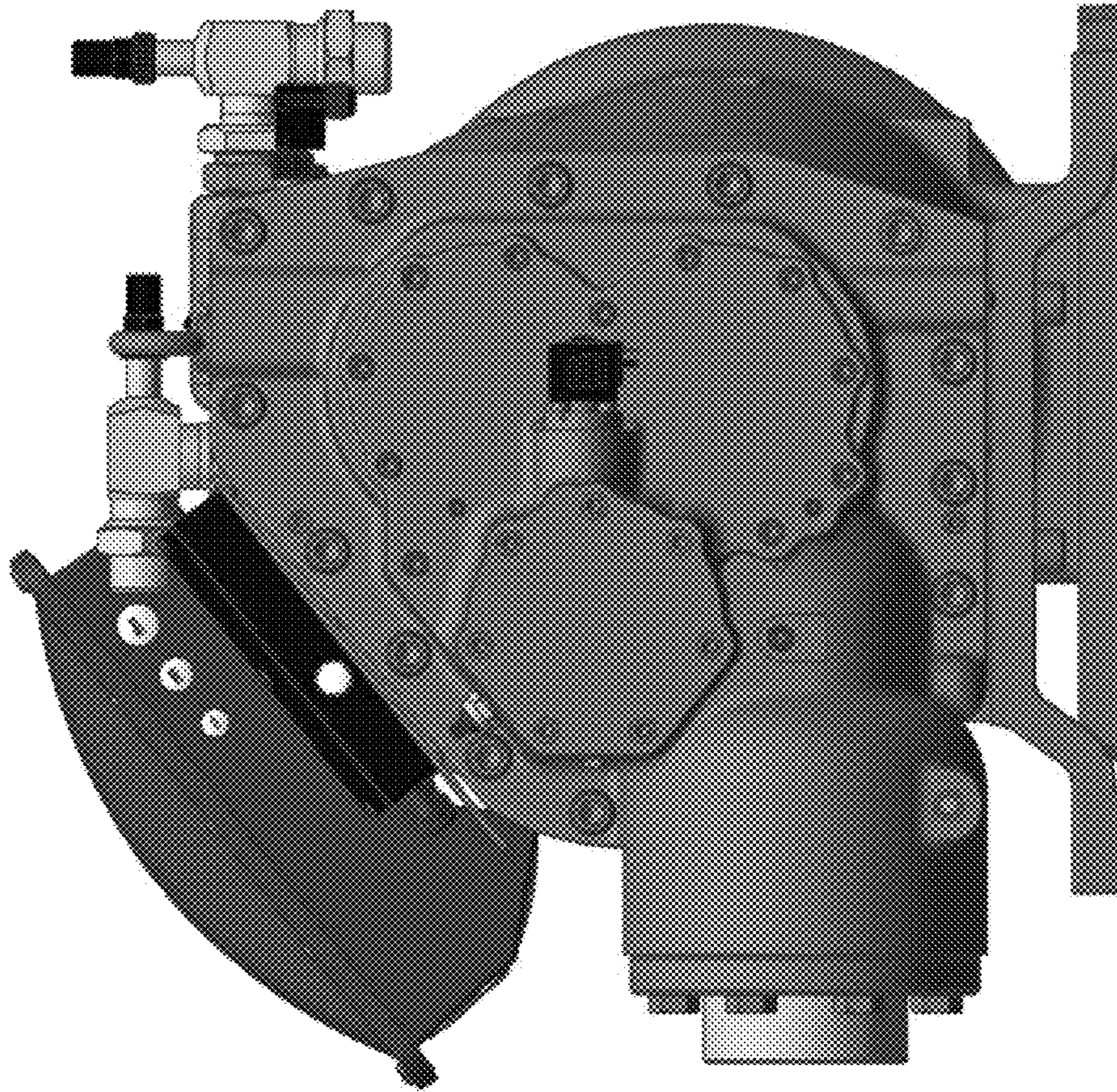


FIG. 11

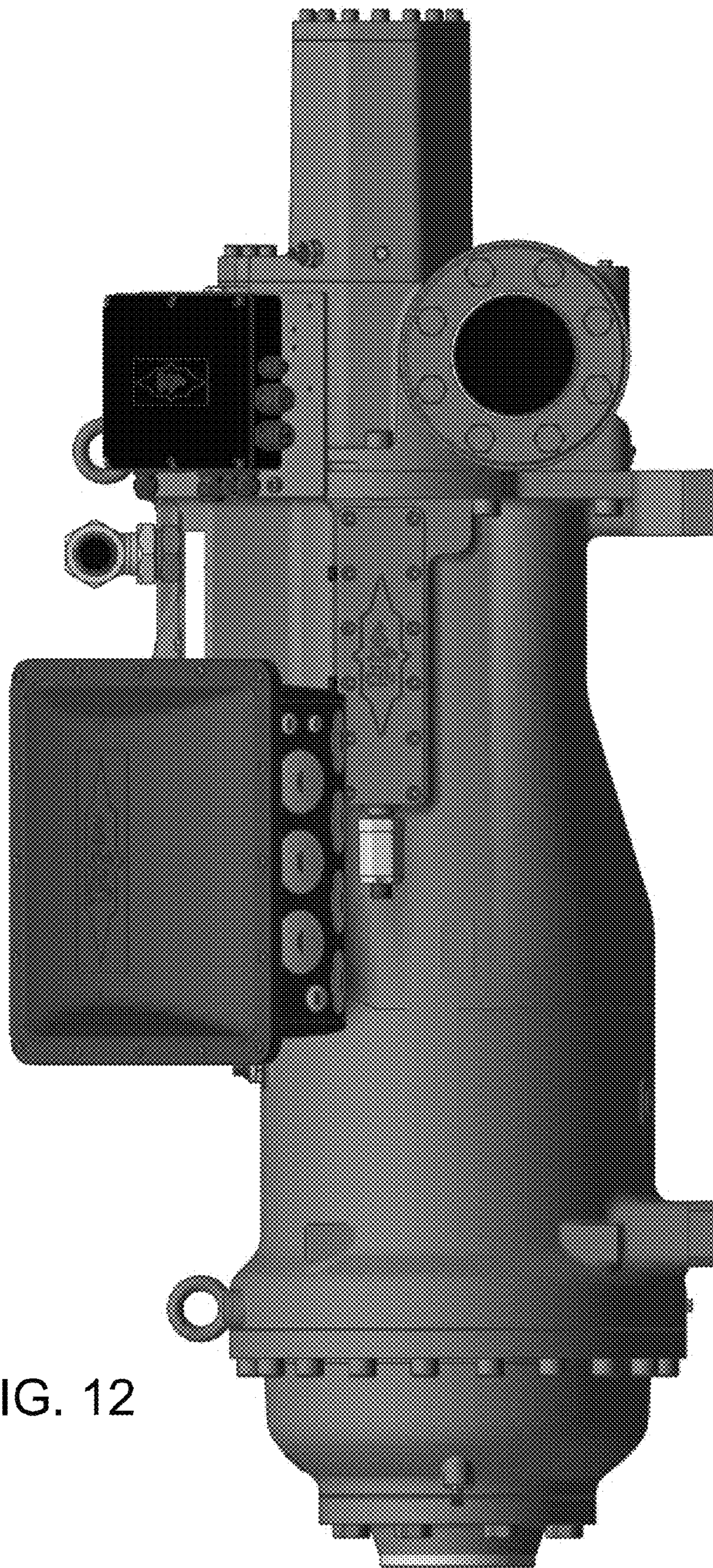


FIG. 12

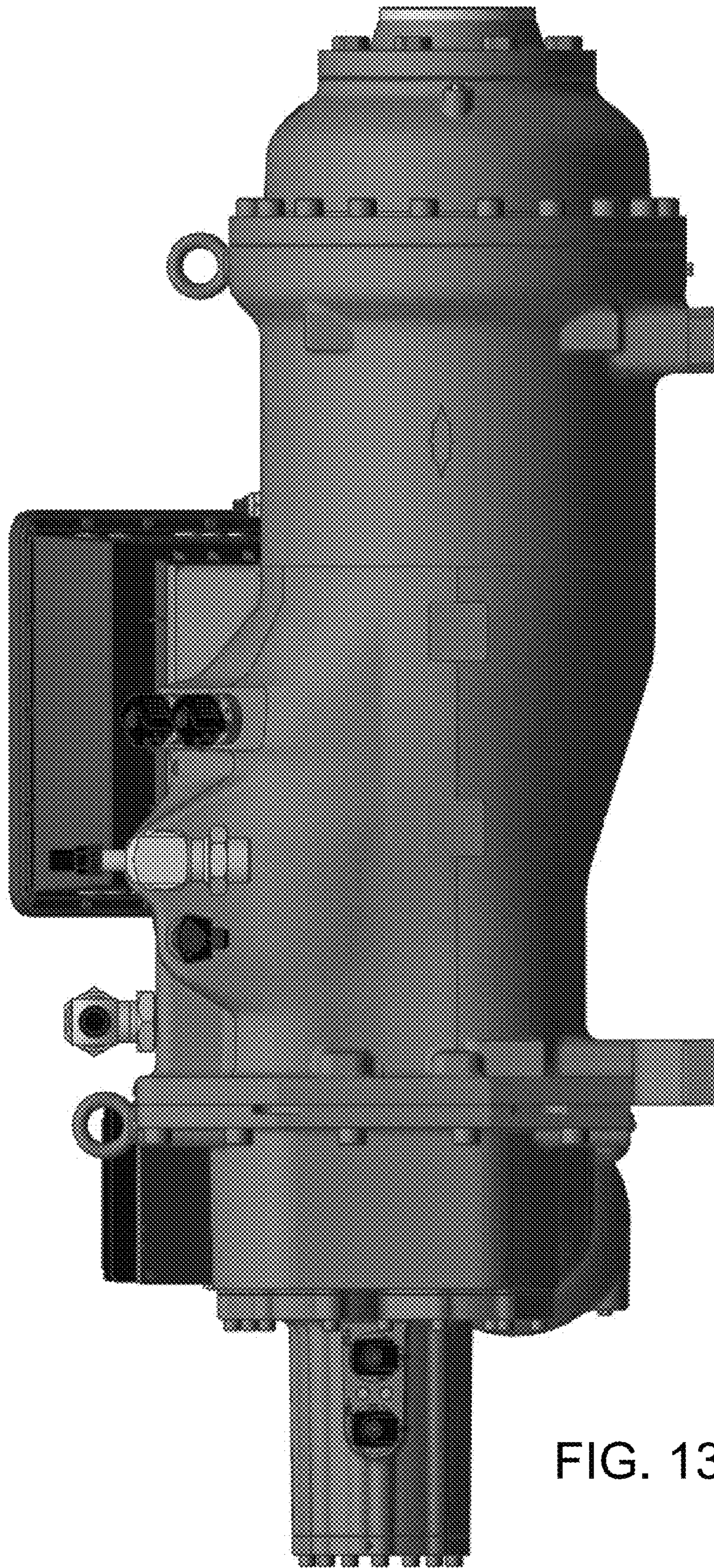


FIG. 13



FIG. 14