



US00D840417S

(12) **United States Design Patent** (10) **Patent No.:** **US D840,417 S**
Saad Ahmed et al. (45) **Date of Patent:** **** Feb. 12, 2019**

(54) **DISPLAY SCREEN WITH TRANSITIONAL GRAPHICAL USER INTERFACE FOR A MEDICAL IMAGE DATA PROCESSING APPLICATION**

2002/0182186 A1 12/2002 Loeb
2009/0022387 A1 1/2009 Shirahata et al.
2015/0173707 A1 6/2015 Ohuchi et al.

OTHER PUBLICATIONS

Ex Parte Quayle Office Action for Design U.S. Appl. No. 29/582,913 dated Jan. 16, 2018, 6 pages.

* cited by examiner

Primary Examiner — Richelle G Shelton

(74) *Attorney, Agent, or Firm* — Han Santos, PLLC; Nabil Abdalla

(71) Applicant: **MEDSTREAMING, LLC**, Redmond, WA (US)

(72) Inventors: **Ahmed Aly Saad Ahmed**, Redmond, WA (US); **Evert de Vries**, Redmond, WA (US); **Wael Elseaidy**, Redmond, WA (US)

(73) Assignee: **MEDSTREAMING, LLC**, Redmond, WA (US)

(**) Term: **15 Years**

(21) Appl. No.: **29/641,359**

(22) Filed: **Mar. 21, 2018**

Related U.S. Application Data

(62) Division of application No. 29/582,913, filed on Oct. 31, 2016, now Pat. No. Des. 828,365.

(51) **LOC (11) Cl.** **14-04**

(52) **U.S. Cl.**
USPC **D14/485**

(58) **Field of Classification Search**
USPC D14/485–495
CPC A61B 5/7445; A61B 5/0064; A61B 5/015;
A61B 5/05; G06T 13/00; G06T 13/80;
G06F 3/04845

See application file for complete search history.

(56) **References Cited**

U.S. PATENT DOCUMENTS

D769,278 S 10/2016 Ukrainsky et al.
2002/0049375 A1* 4/2002 Strommer A61B 5/0066
600/407

(57) **CLAIM**

The ornamental design for a display screen with transitional graphical user interface for a medical image data processing application.

DESCRIPTION

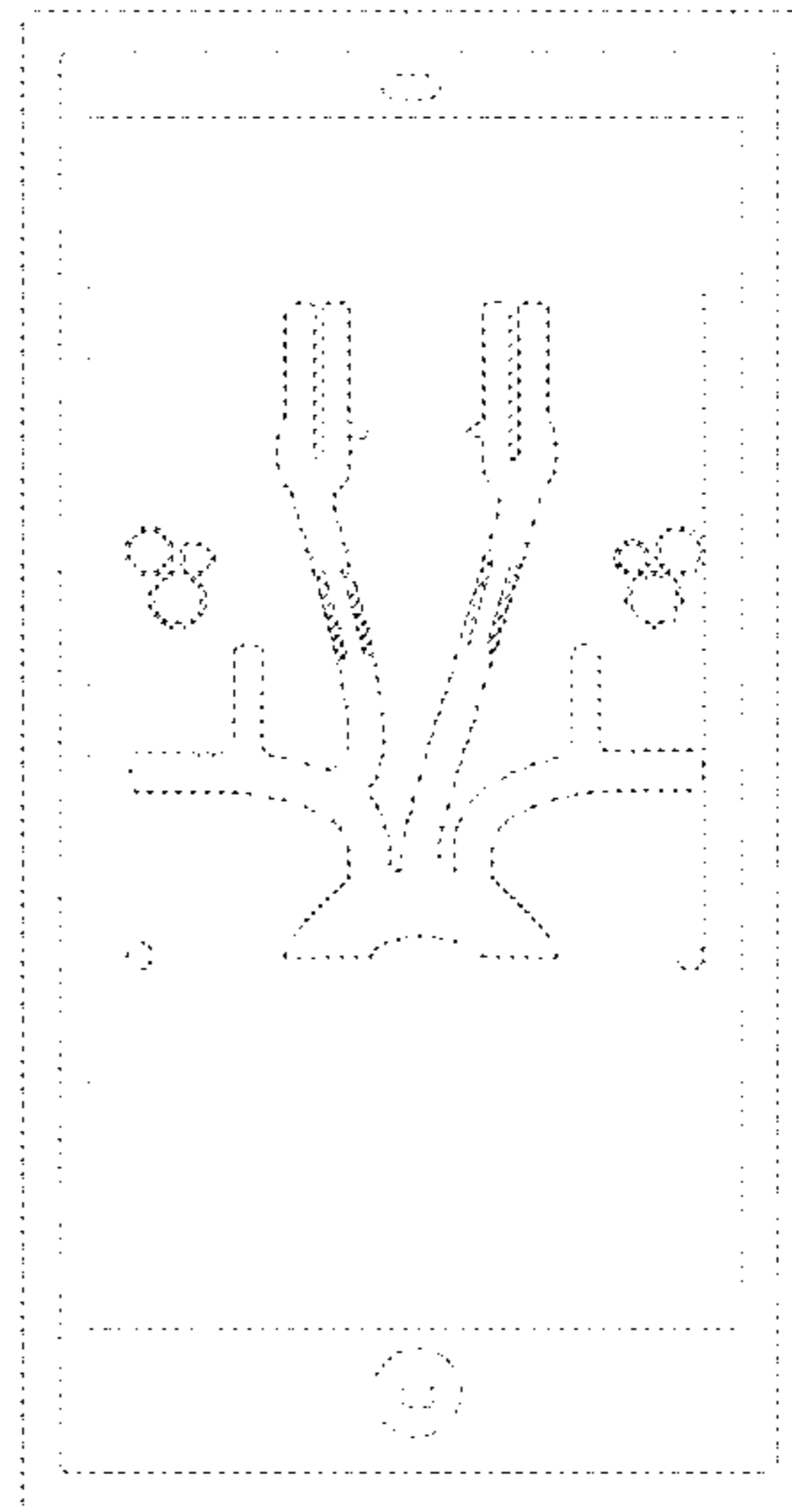
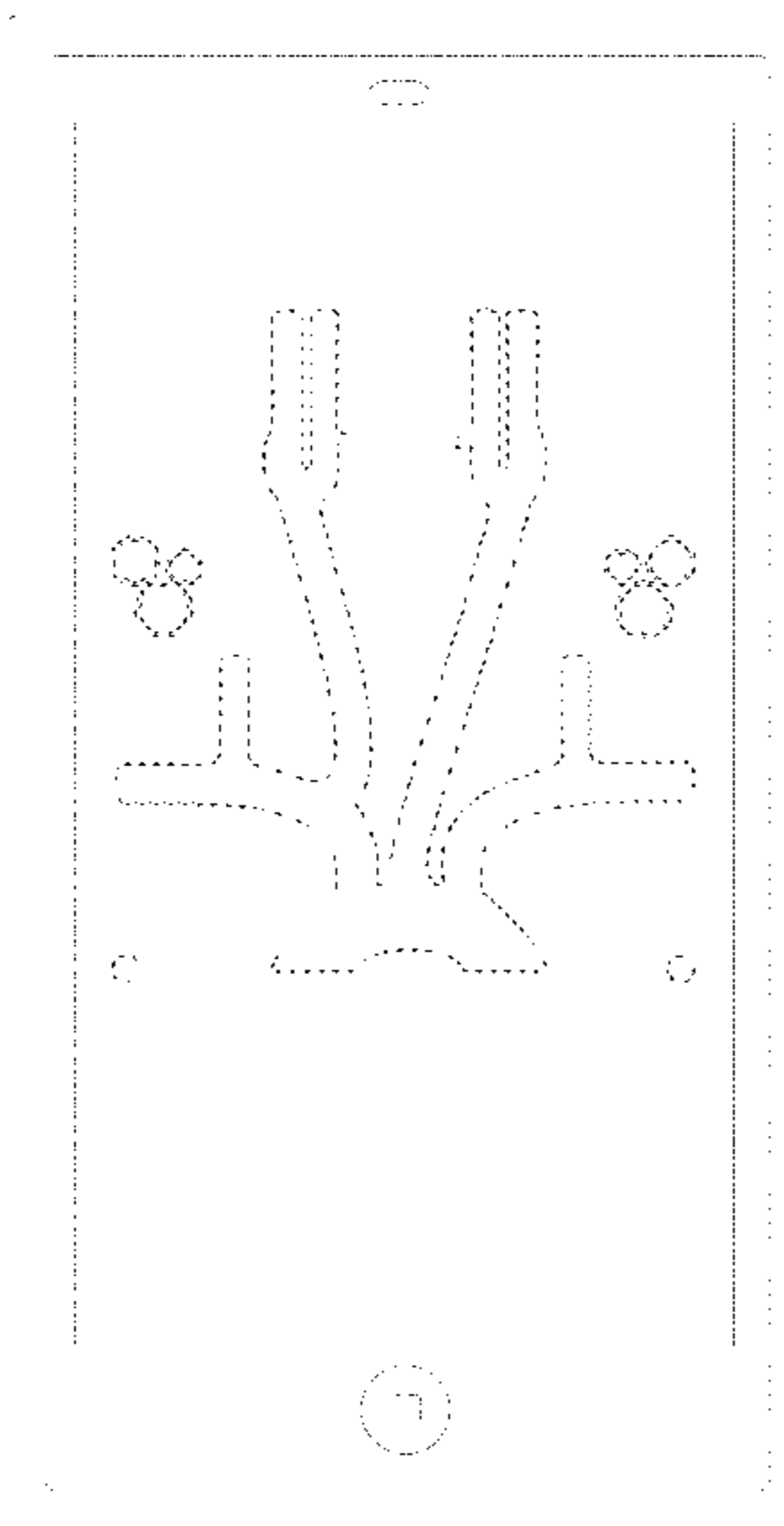
A portion of the disclosure of this patent document contains material to which a claim for copyright is made. The copyright owner has no objection to the reproduction of the patent document or the patent disclosure, as it appears in the U.S. Patent Office records, but reserves all other copyright rights whatsoever.

FIG. 1 is a front view of a first image of a display screen with transitional graphical user interface for a medical image data processing application; and,

FIG. 2 is a front view of a second image thereof.

The broken lines of the display screen and the other broken lines in the drawings form no part of the claimed design. The appearance of the transitional image sequentially transitions between the images shown in FIGS. 1 and 2. The process or period in which one image transitions to another, form no part of the claimed design.

1 Claim, 2 Drawing Sheets



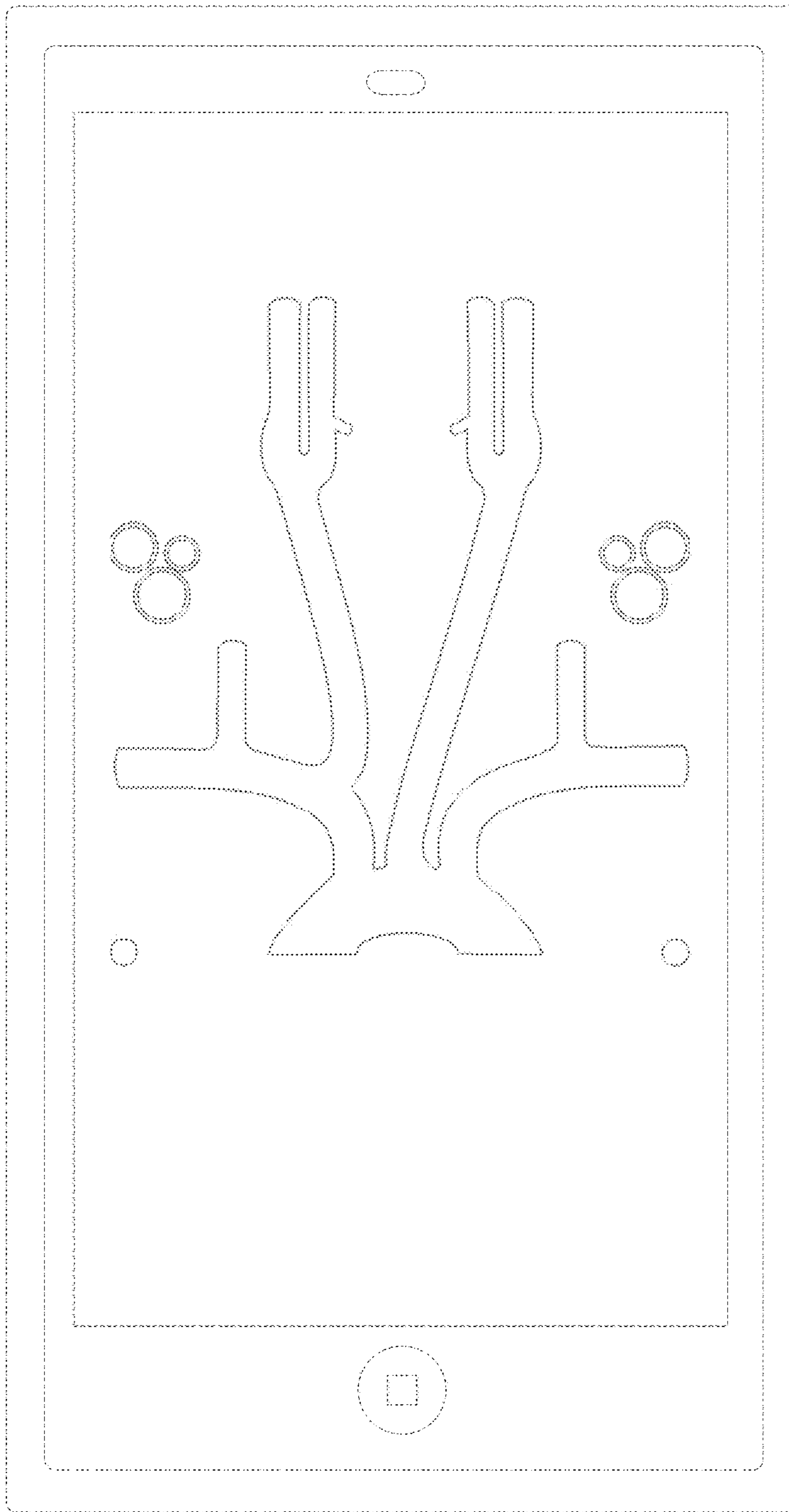


FIG. 1

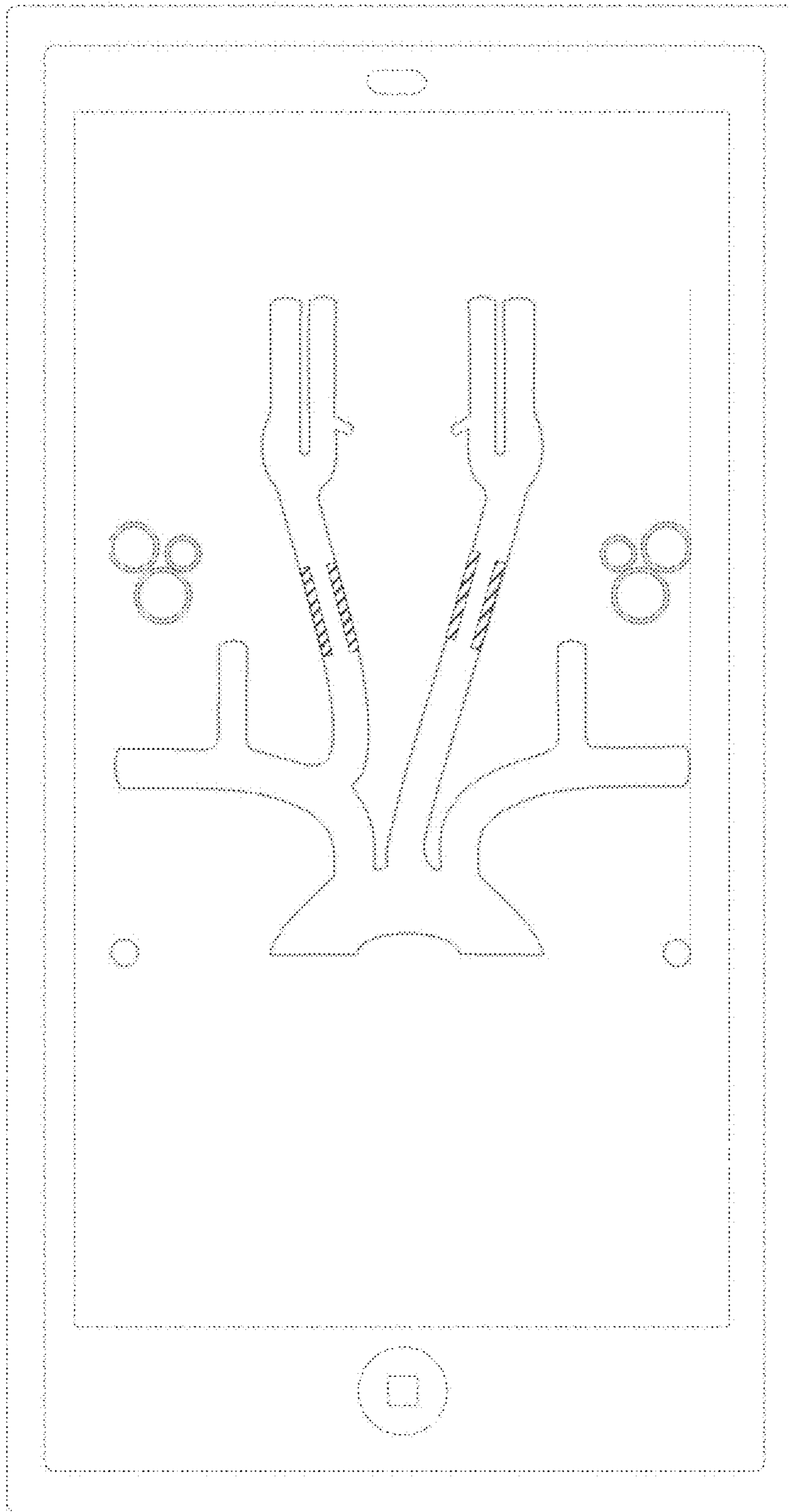


FIG. 2