



US00D840410S

(12) **United States Design Patent** (10) **Patent No.:** **US D840,410 S**
Kuo (45) **Date of Patent:** **** Feb. 12, 2019**

(54) **MONITOR RISER SHELF**

(56) **References Cited**

(71) Applicants: **NICELINK INTERNATIONAL CO., LTD.**, Taichung (TW); **Chao-Sheng Kuo**, Taichung (TW)

U.S. PATENT DOCUMENTS

(72) Inventor: **Chao-Sheng Kuo**, Taichung (TW)

D273,248	S	*	4/1984	Secon	D6/686
D274,363	S	*	6/1984	Brownlee, Jr.	D25/68
D274,729	S	*	7/1984	Hovey	D14/451
6,032,912	A	*	3/2000	Korn	A47B 47/025 211/135
D524,319	S	*	7/2006	Zamanian	D14/447
D580,920	S	*	11/2008	Wikel	D14/240
D617,341	S	*	6/2010	Kim	D14/501
D643,822	S	*	8/2011	Crosby	D14/125
D705,556	S	*	5/2014	Udagawa	D6/349
D734,628	S	*	7/2015	Wang	D6/675.5
D764,213	S	*	8/2016	Clark	D6/675
D785,983	S	*	5/2017	Denby	D6/689
2011/0005433	A1	*	1/2011	Pichereau	B62B 3/04 108/55.1

(73) Assignees: **NICELINK INTERNATIONAL CO., LTD.**, Taichung (TW); **Chao-Sheng Kuo**, Taichung (TW)

(**) Term: **15 Years**

(21) Appl. No.: **29/612,298**

(22) Filed: **Jul. 31, 2017**

* cited by examiner

(51) **LOC (11) Cl.** **14-02**

Primary Examiner — Katie Jane Stofko

(52) **U.S. Cl.**

(74) *Attorney, Agent, or Firm* — Muncy, Geissler, Olds & Lowe, P.C.

USPC **D14/451**

(58) **Field of Classification Search**

(57) **CLAIM**

USPC D14/224, 239, 251, 253, 316, 375, 376, D14/432, 439, 447, 451, 452, 457; D6/396, 444, 449, 510, 511, 513, 655, D6/675, 675.1, 691.9; D34/38; D8/349, D8/355, 363, 373, 380; 108/51.3; 248/121, 124.1, 127, 201, 205.1, 313, 248/415, 917-24; 312/223.3; 211/134, 211/151; D19/87

The ornamental design for a monitor riser shelf, as shown and described.

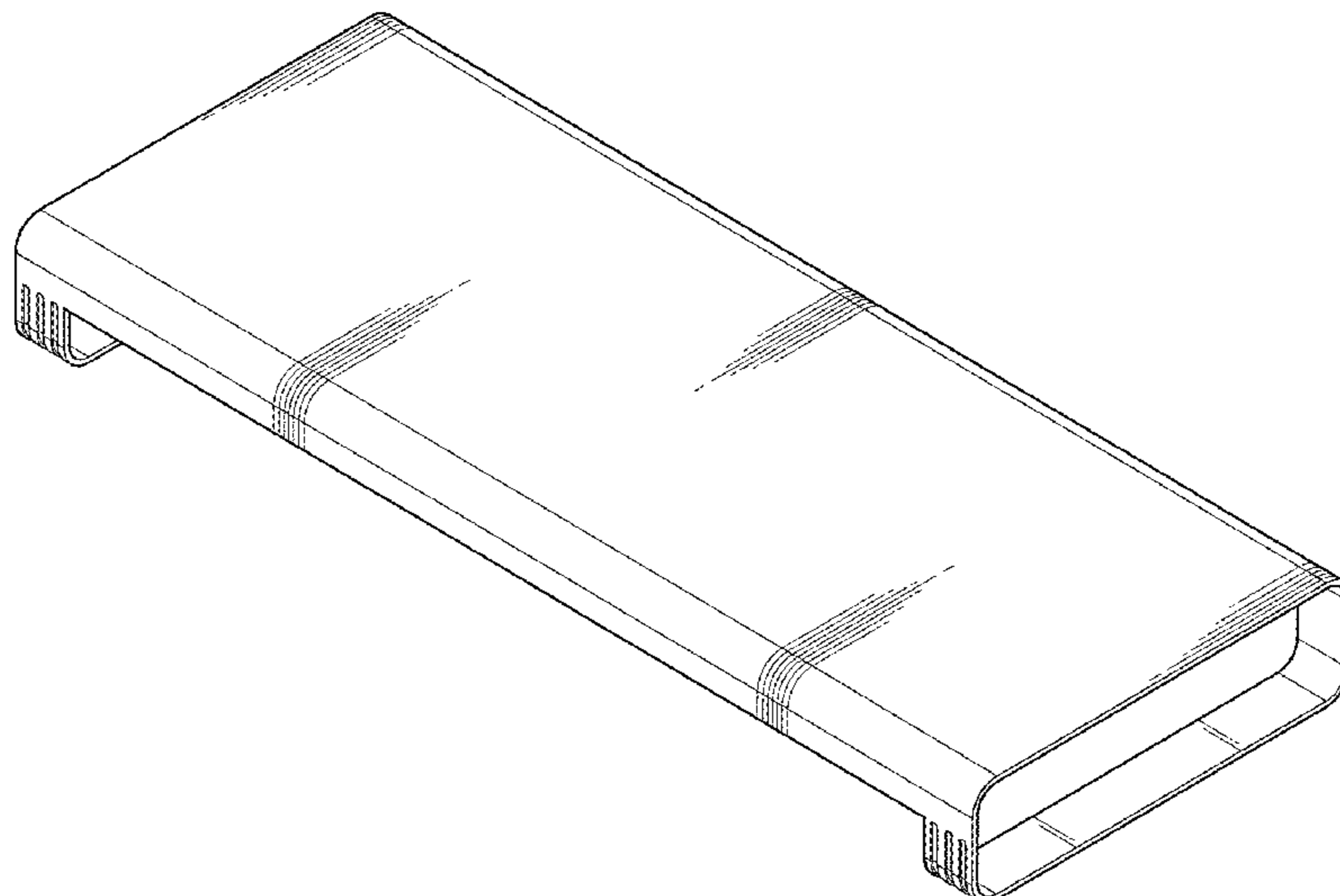
CPC G06F 3/0412; G06F 3/016; G06F 3/0488; G06F 3/011; G06F 3/038; G06F 3/03543; G06F 3/0338; G06F 3/0202; G06F 3/0219; G06F 3/0213; G06F 1/1616; G06F 3/023; G06F 3/04883; G02F 1/13338; G09G 3/3648

DESCRIPTION

FIG. 1 is a front, top, right perspective view of a monitor riser shelf showing my new design; FIG. 2 is a front side elevation view thereof; FIG. 3 is a rear side elevation view thereof; FIG. 4 is a left side elevation view thereof; FIG. 5 is a right side elevation view thereof; FIG. 6 is a top plan view thereof; and, FIG. 7 is a bottom plan view thereof.

See application file for complete search history.

1 Claim, 5 Drawing Sheets



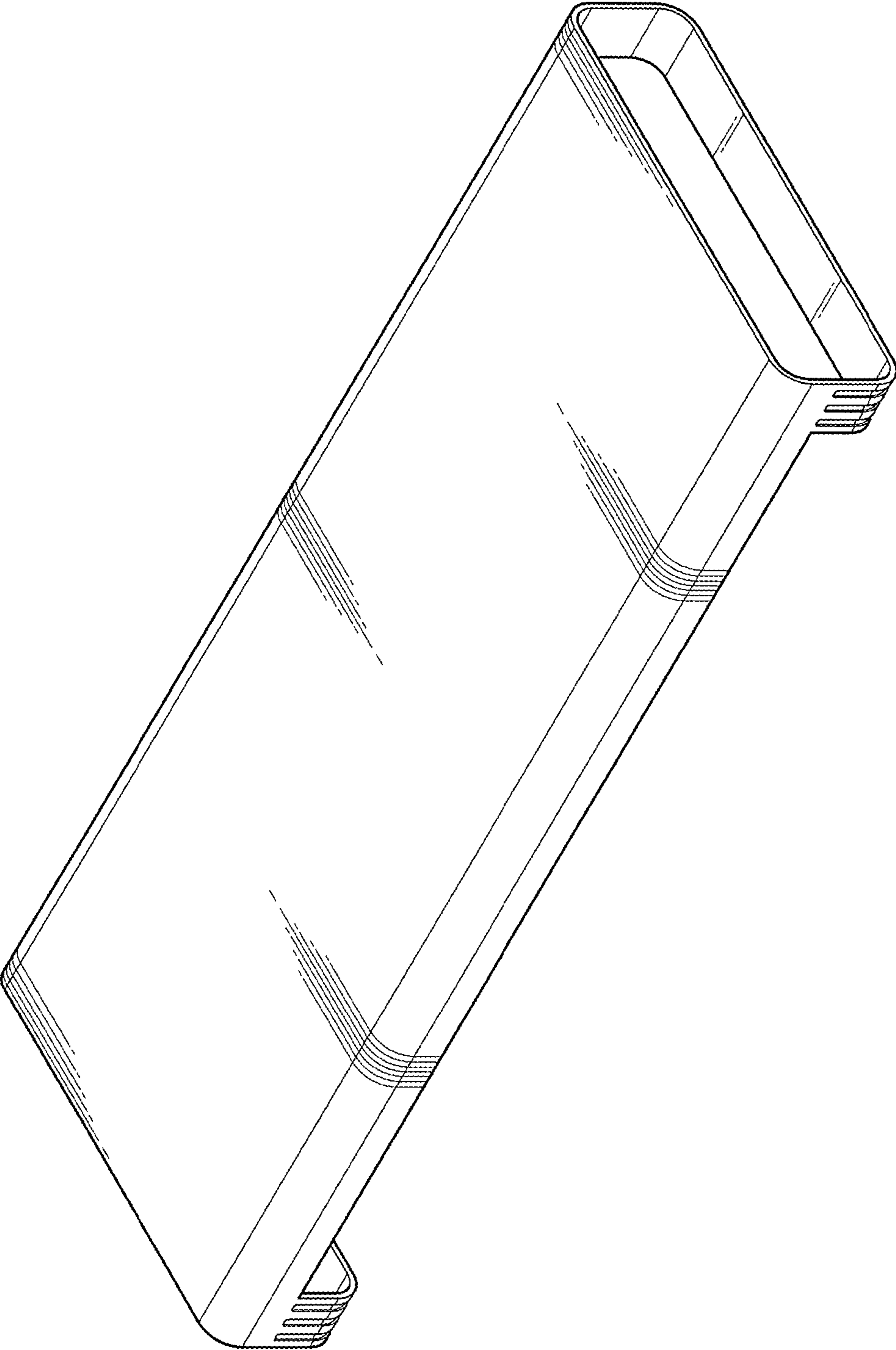


Fig . 1

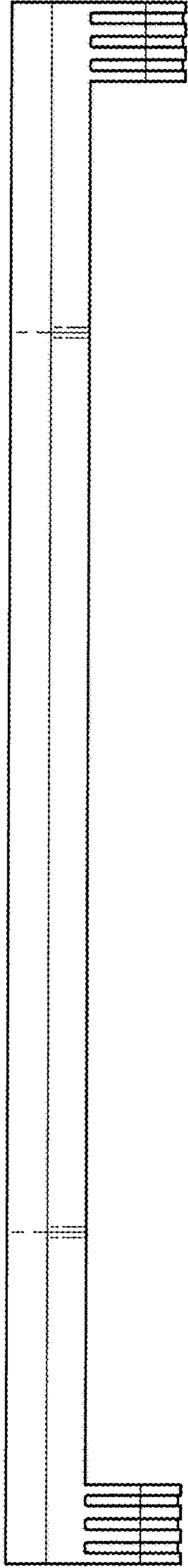


Fig. 2

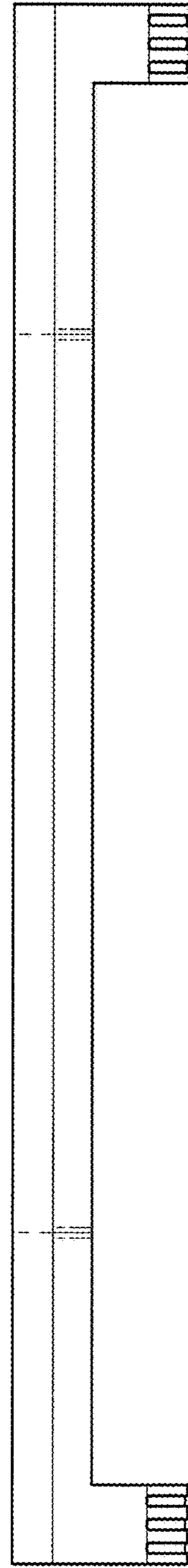


Fig. 3

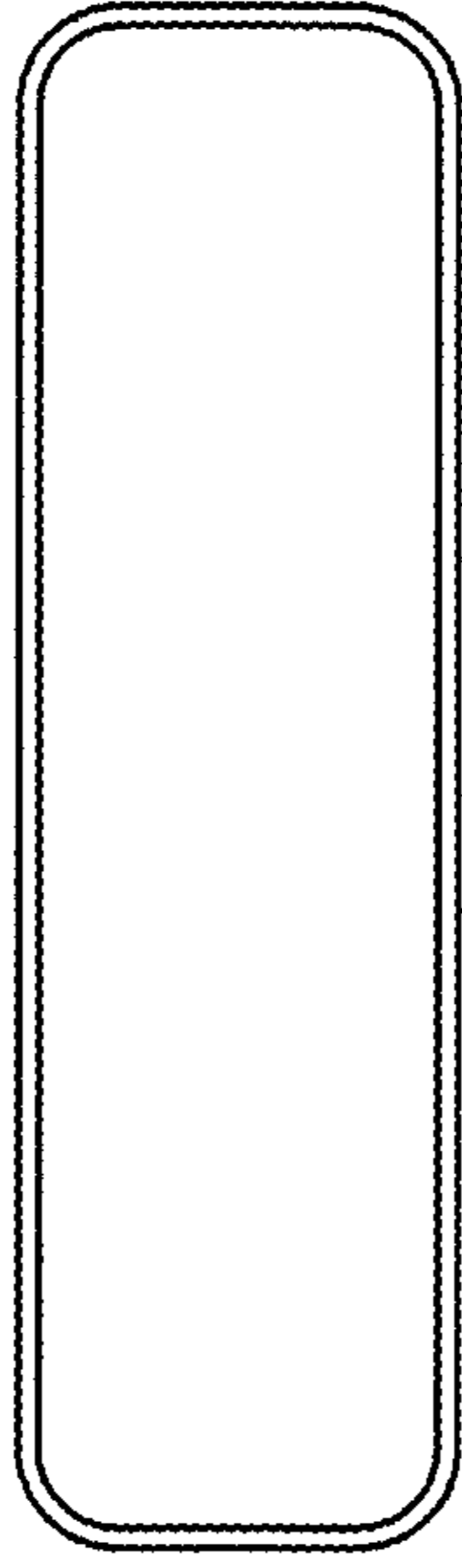


Fig. 5

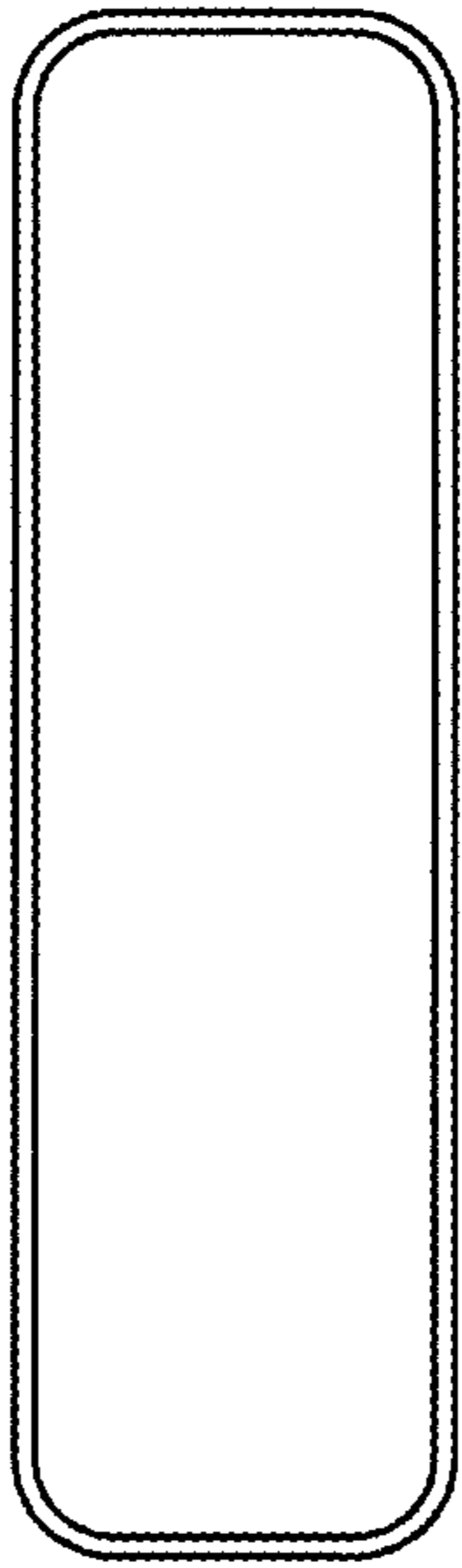


Fig. 4

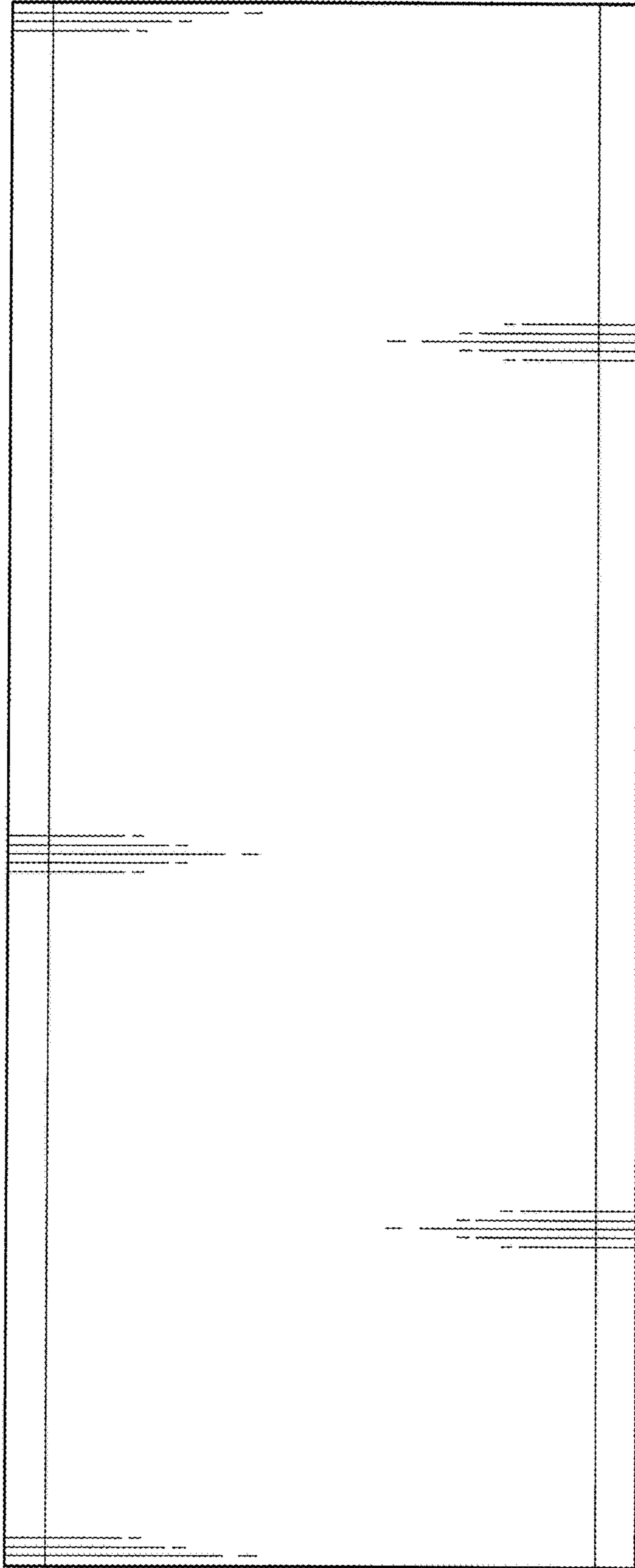


Fig. 6

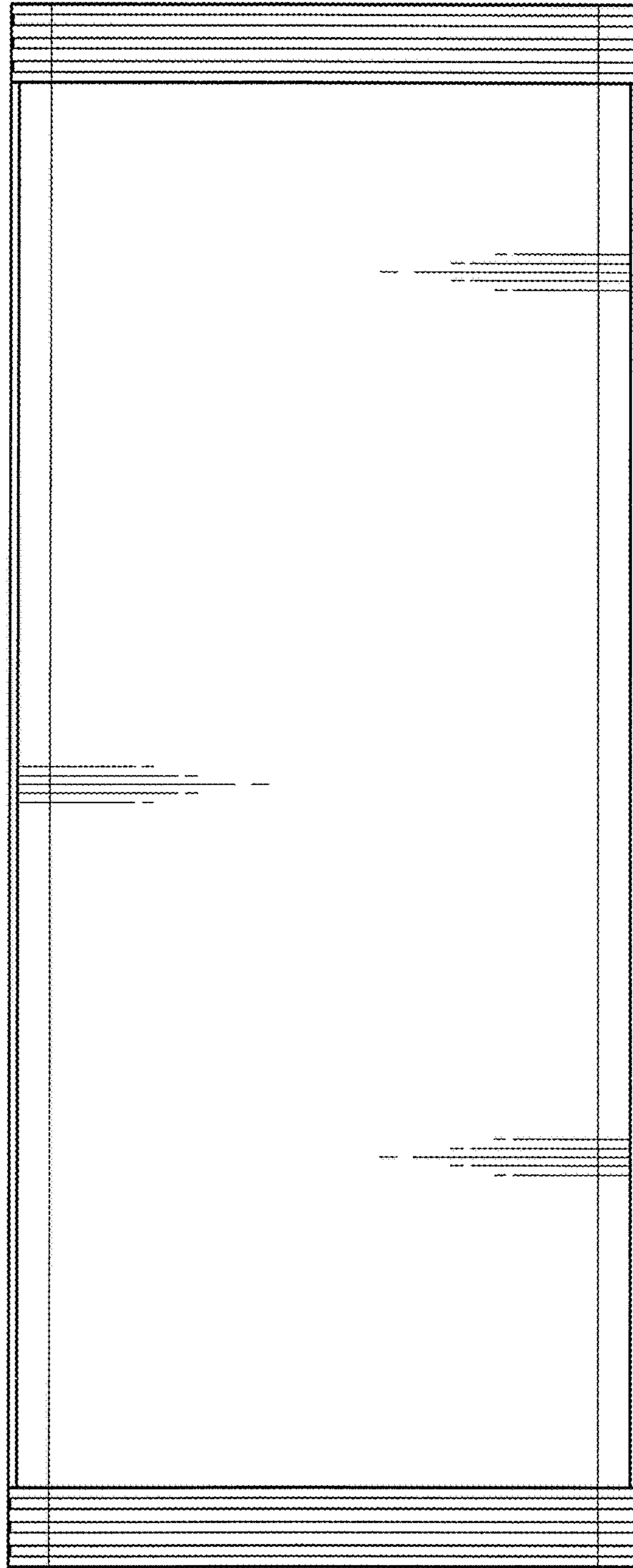


Fig. 7