



US00D840409S

(12) **United States Design Patent** (10) **Patent No.:** **US D840,409 S**
Miller et al. (45) **Date of Patent:** **** Feb. 12, 2019**

(54) **CAR CHARGER AND MOUNT FOR HAND-HELD ELECTRONIC DEVICES**

D666,614 S 9/2012 Ding
D677,261 S 3/2013 Hsu et al.
D685,366 S 7/2013 Ding
D690,306 S 9/2013 Malisse et al.
D692,435 S * 10/2013 Bremenkamp D14/447
(Continued)

(71) Applicant: **Halo International Sezc Ltd.**,
Georgetown, Grand Cayman (KY)

Primary Examiner — Angela J Lee
(74) *Attorney, Agent, or Firm* — McCormick, Paulding & Huber LLP

(72) Inventors: **Garold C. Miller**, Hartford, CT (US);
Nathan Daniel Weinstein, Hartford, CT (US)

(73) Assignee: **Halo International SEZC Ltd.**,
Georgetown (KY)

(57) **CLAIM**

(**) Term: **15 Years**

The ornamental design for a car charger and mount for hand-held electronic devices, as shown and described.

(21) Appl. No.: **29/624,244**

DESCRIPTION

(22) Filed: **Oct. 31, 2017**

(51) **LOC (11) Cl.** **08-07**

(52) **U.S. Cl.**
USPC **D14/447**

(58) **Field of Classification Search**
USPC D14/447, 432, 434, 439, 440, 451, 452,
D14/457, 239; D8/363, 373, 380;
D6/406.3, 406.4, 406.5, 406.6; D12/415;
D13/108, 144
See application file for complete search history.

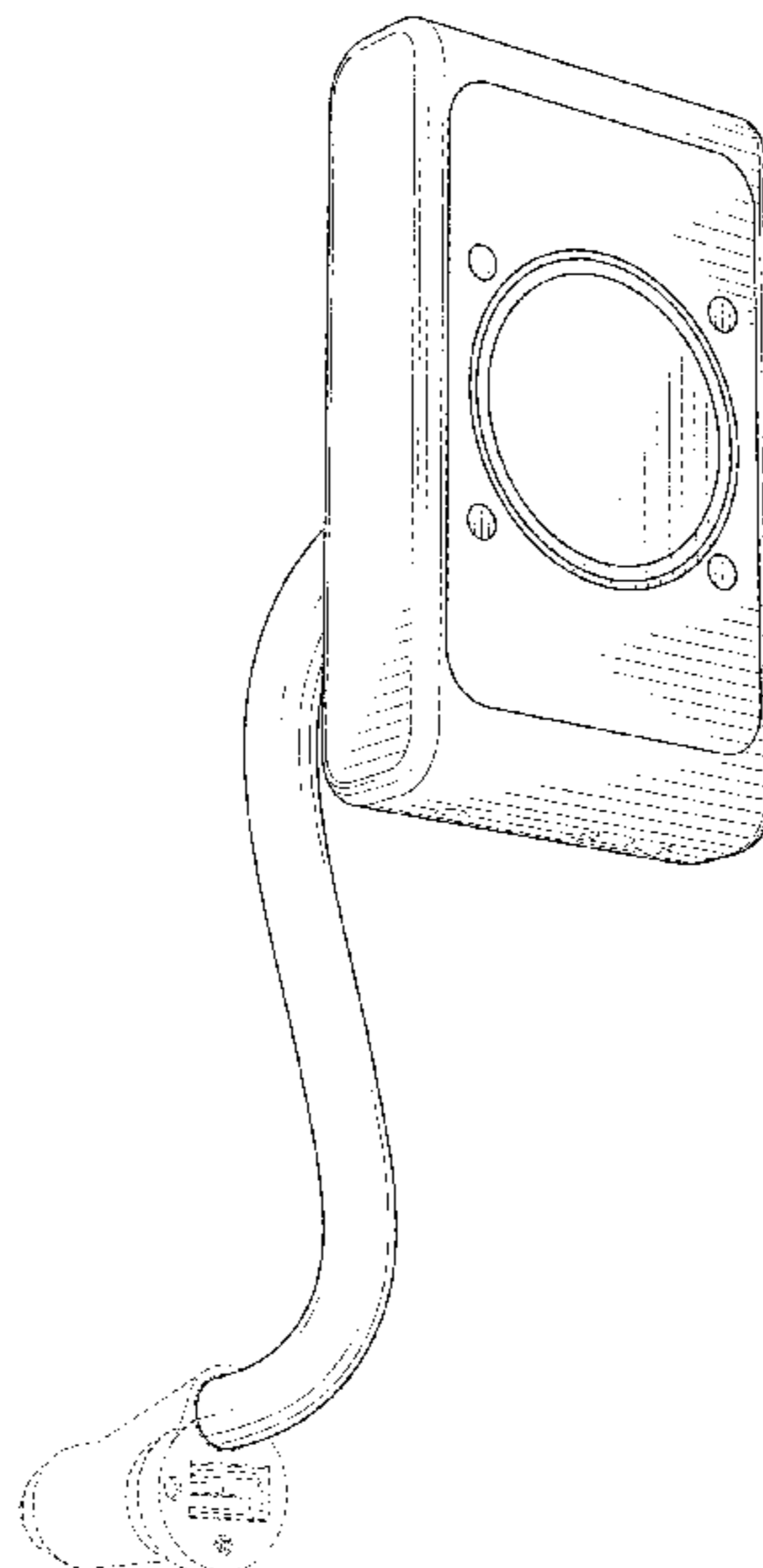
FIG. 1 is a front, bottom perspective view of a car charger and mount for hand-held electronic devices comprising a new, original and/or ornamental design;
FIG. 2 is a front view thereof;
FIG. 3 is a rear view thereof;
FIG. 4 is a right side view thereof;
FIG. 5 is a left side view thereof;
FIG. 6 is a top view thereof;
FIG. 7 is a bottom view thereof;
FIG. 8 is a front, bottom perspective view of another embodiment of a car charger and mount for hand-held electronic devices comprising a new, original and/or ornamental design;
FIG. 9 is a front view thereof;
FIG. 10 is a rear view thereof;
FIG. 11 is a right side view thereof;
FIG. 12 is a left side view thereof;
FIG. 13 is a top view thereof; and,
FIG. 14 is a bottom view thereof.
The broken lines shown in the drawings represent portions of the car charger and mount for hand-held electronic devices that form no part of the claimed design.

(56) **References Cited**

U.S. PATENT DOCUMENTS

5,988,572 A	11/1999	Chivallier et al.	
6,073,901 A	6/2000	Richter	
D522,843 S	6/2006	Richter	
D529,905 S	10/2006	Richter	
D535,978 S	1/2007	Hussaini et al.	
D544,487 S	6/2007	Hussaini et al.	
D559,227 S	1/2008	Kim	
D569,876 S	5/2008	Griffin	
D645,462 S *	9/2011	Choi	D14/253
D654,054 S	2/2012	Kohte et al.	
D655,293 S *	3/2012	Gioscia	D14/434

1 Claim, 10 Drawing Sheets



(56)

References Cited

U.S. PATENT DOCUMENTS

D711,322	S	8/2014	McSweyn et al.	
D712,394	S	9/2014	Booth et al.	
D722,603	S *	2/2015	Lay	D14/447
D731,973	S	6/2015	Liu	
D733,697	S	7/2015	Palan et al.	
D749,596	S	2/2016	Khodapanah et al.	
D750,612	S	3/2016	Chen	
D753,643	S	4/2016	Kim et al.	
D762,650	S *	8/2016	Dang	D14/434
D765,070	S *	8/2016	Franklin	D14/253
D777,675	S *	1/2017	Miller	D13/144
D786,882	S *	5/2017	Cho	D14/447
D792,415	S *	7/2017	Tsai	D14/447
D792,416	S *	7/2017	Tsai	D14/447
D804,413	S *	12/2017	McSweyn	D13/108
D822,598	S *	7/2018	Warren	D13/108
D825,548	S *	8/2018	Lebovitz	D14/253
2002/0176571	A1	11/2002	Louh	
2002/0191782	A1	12/2002	Beger et al.	
2009/0186576	A1	7/2009	Peng	
2011/0255226	A1	10/2011	Duncan Seil et al.	
2013/0112838	A1	5/2013	Duncan Seil et al.	

* cited by examiner

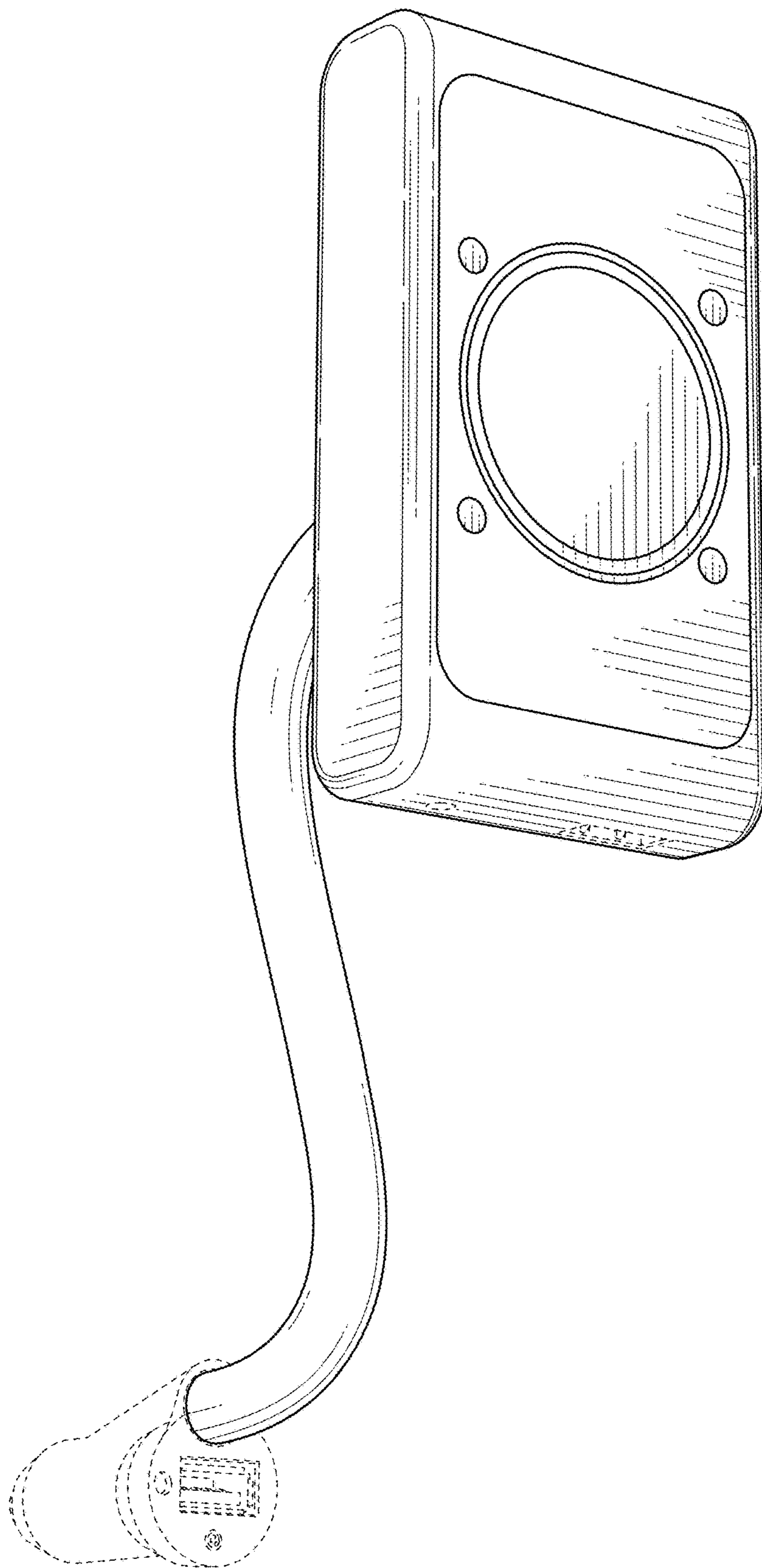


FIG. 1

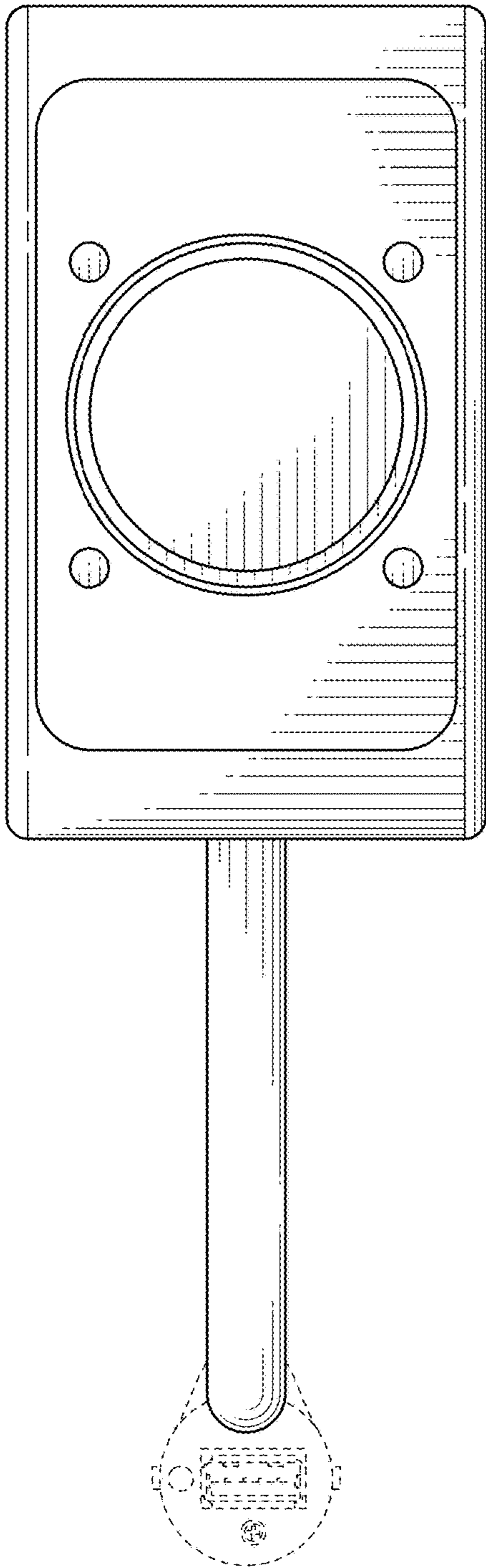


FIG. 2

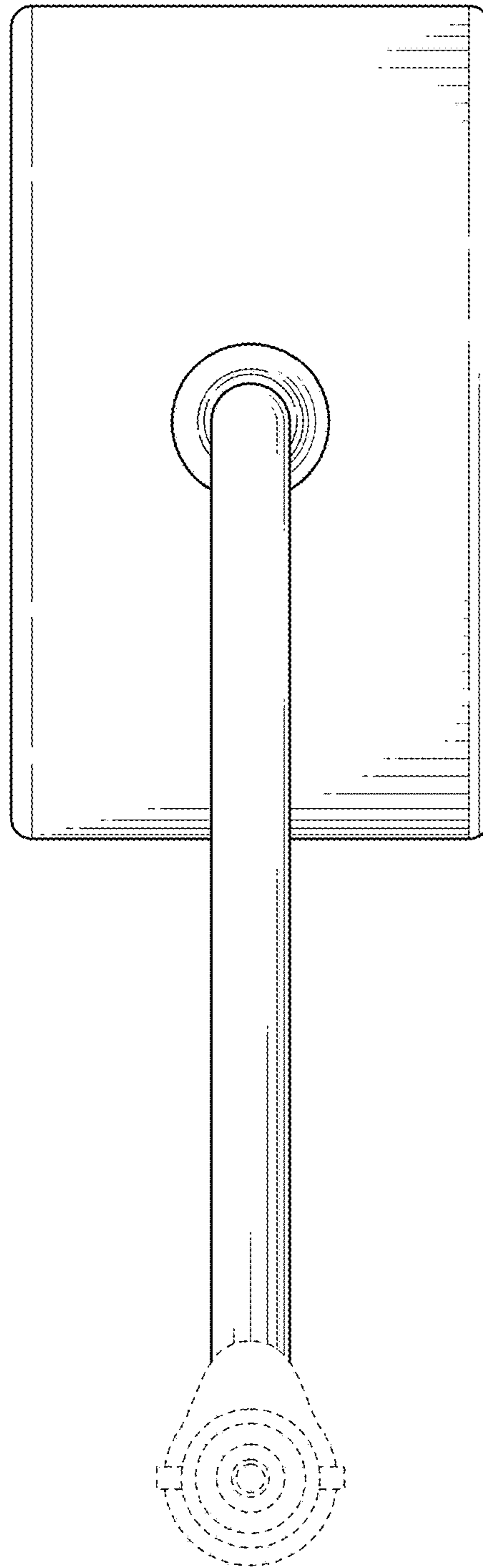


FIG. 3

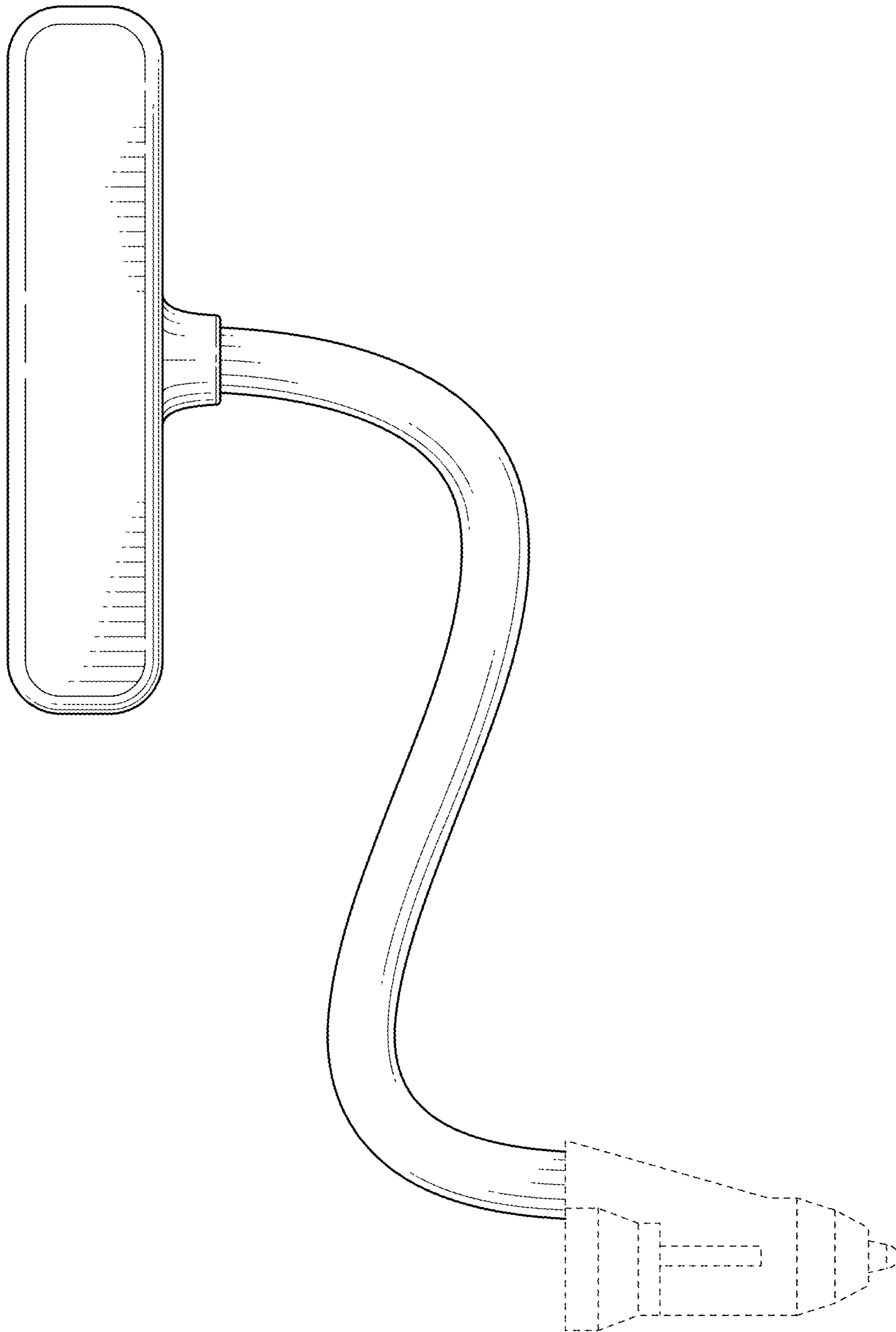


FIG. 4

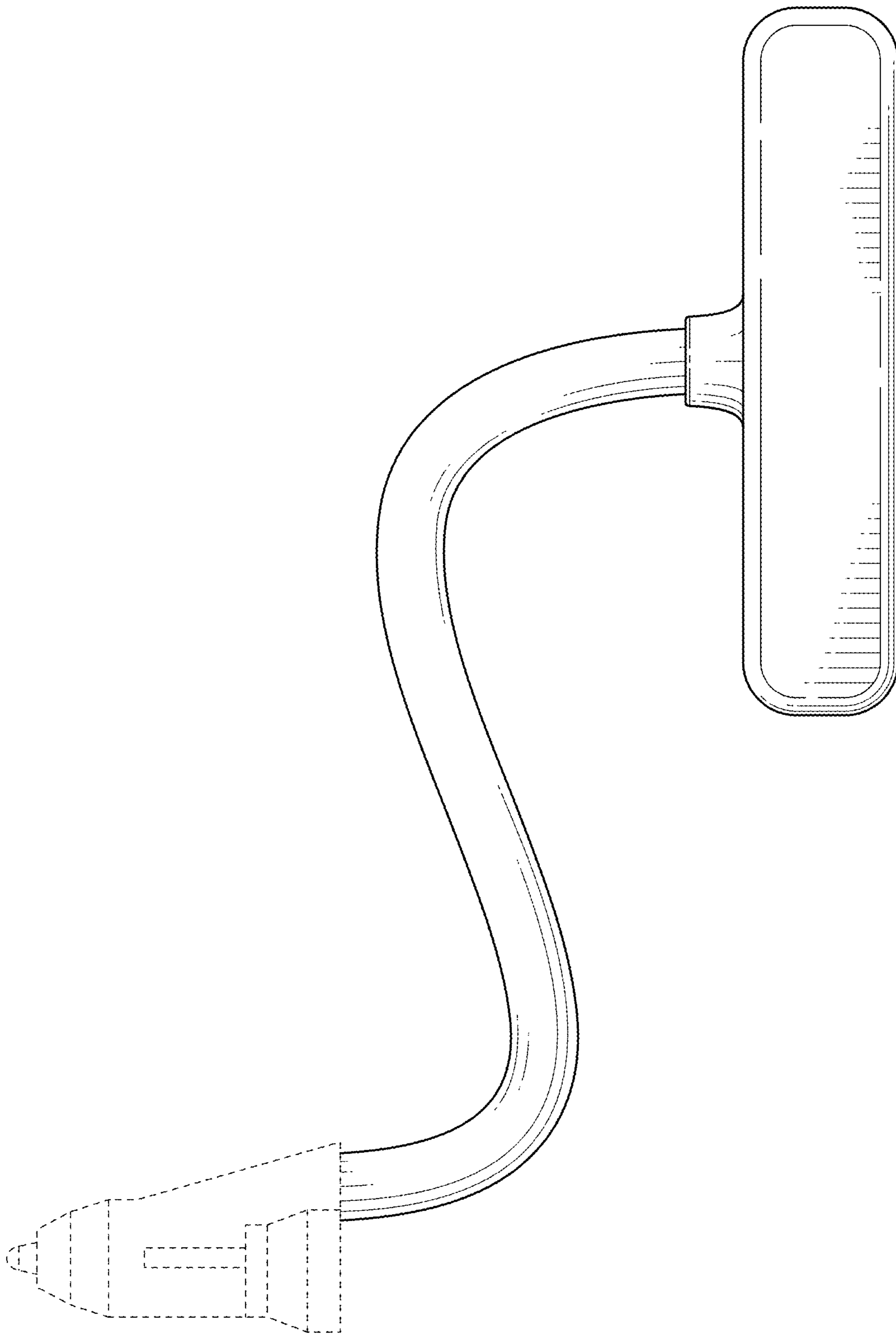


FIG. 5

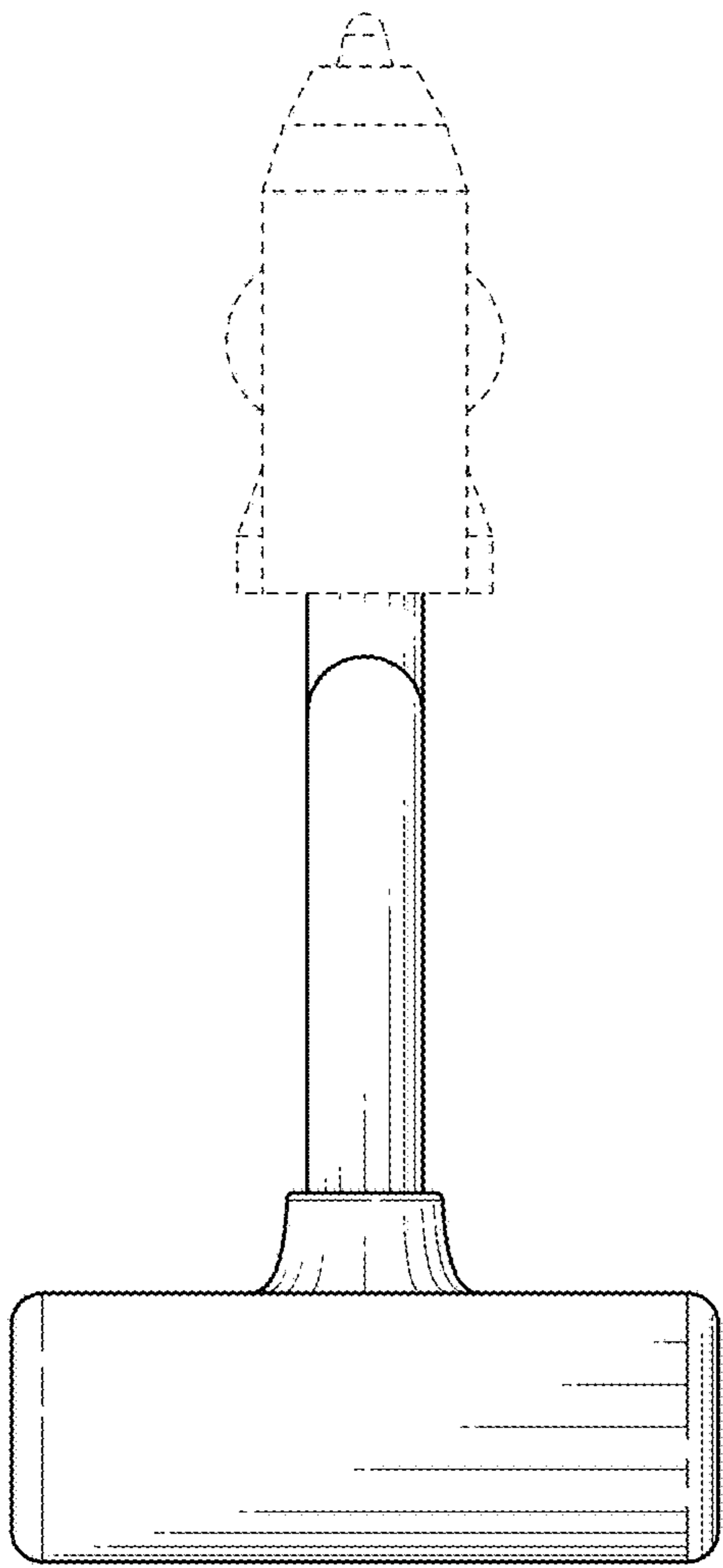


FIG. 6

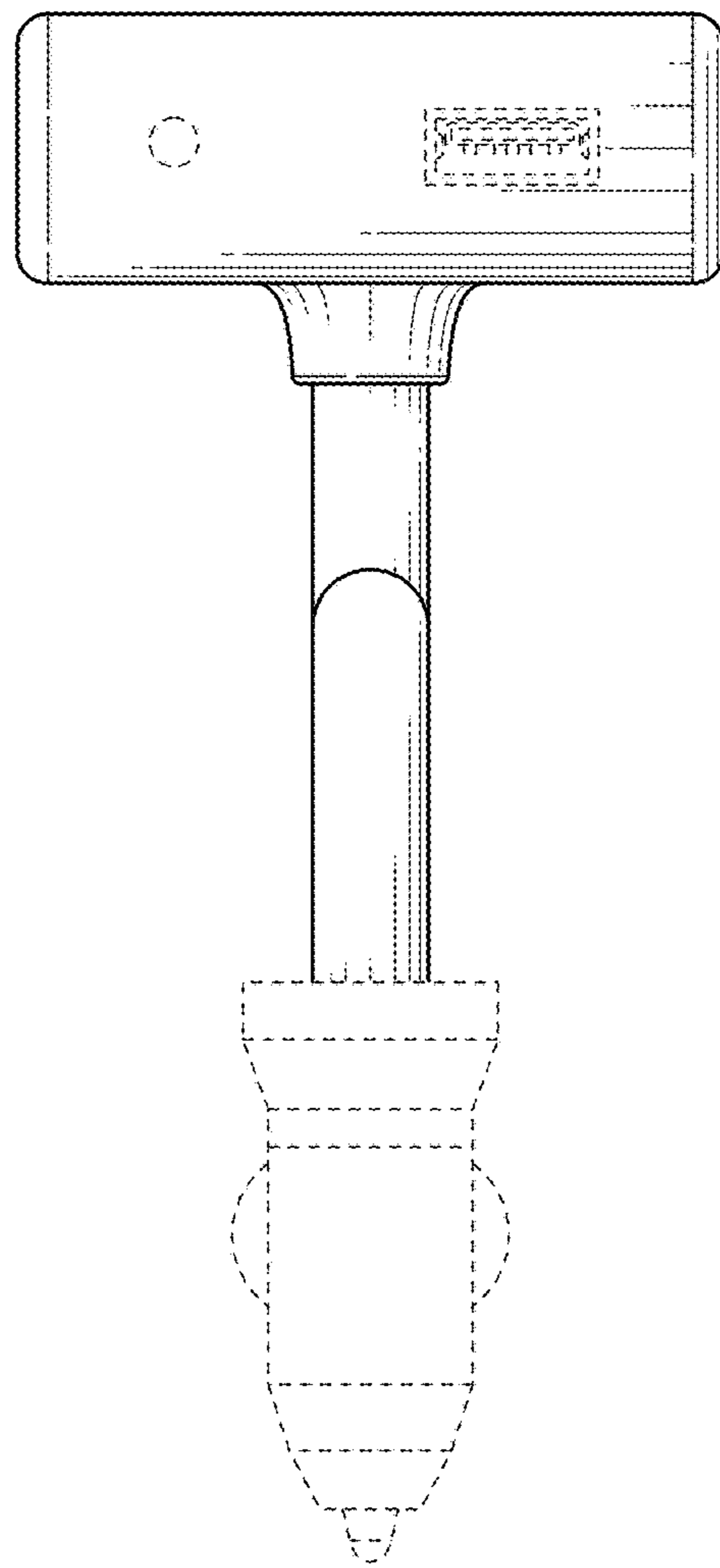


FIG. 7

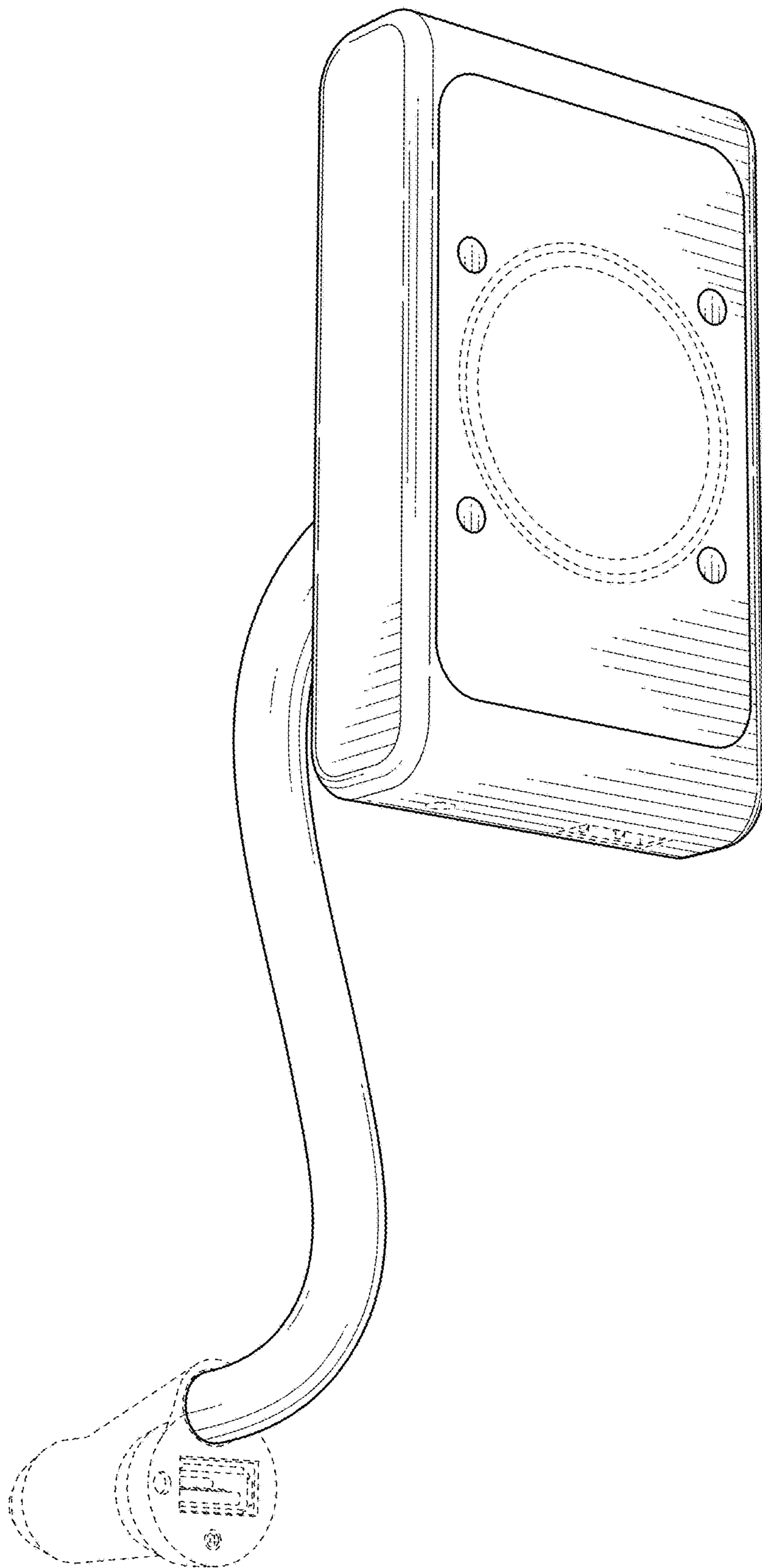


FIG. 8

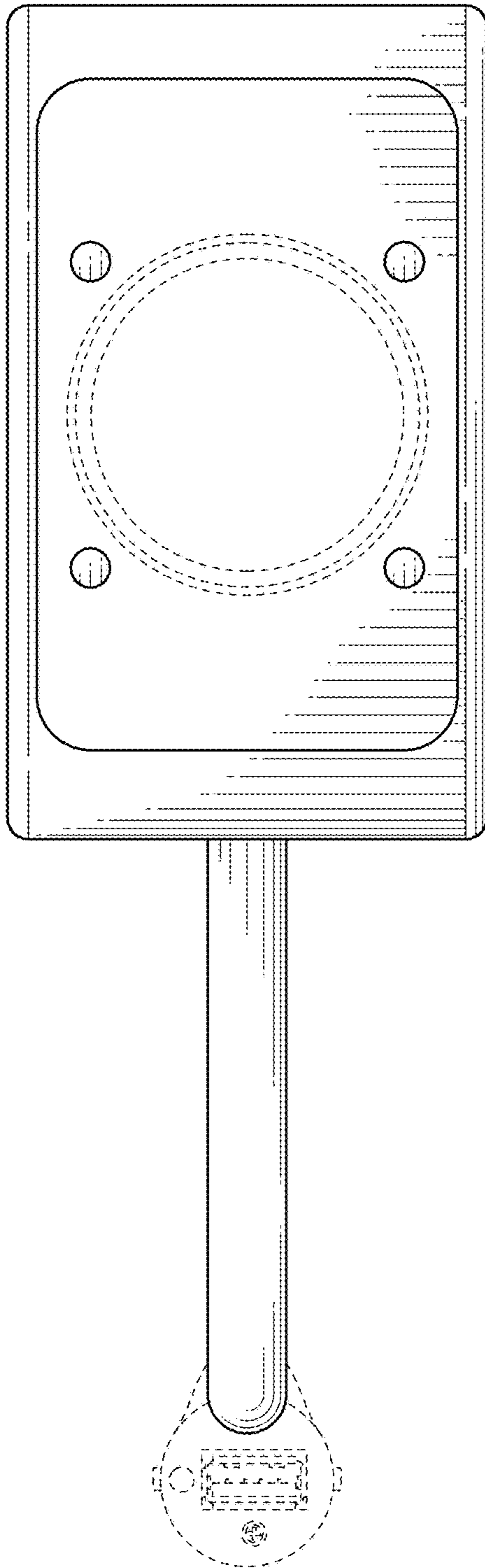


FIG. 9

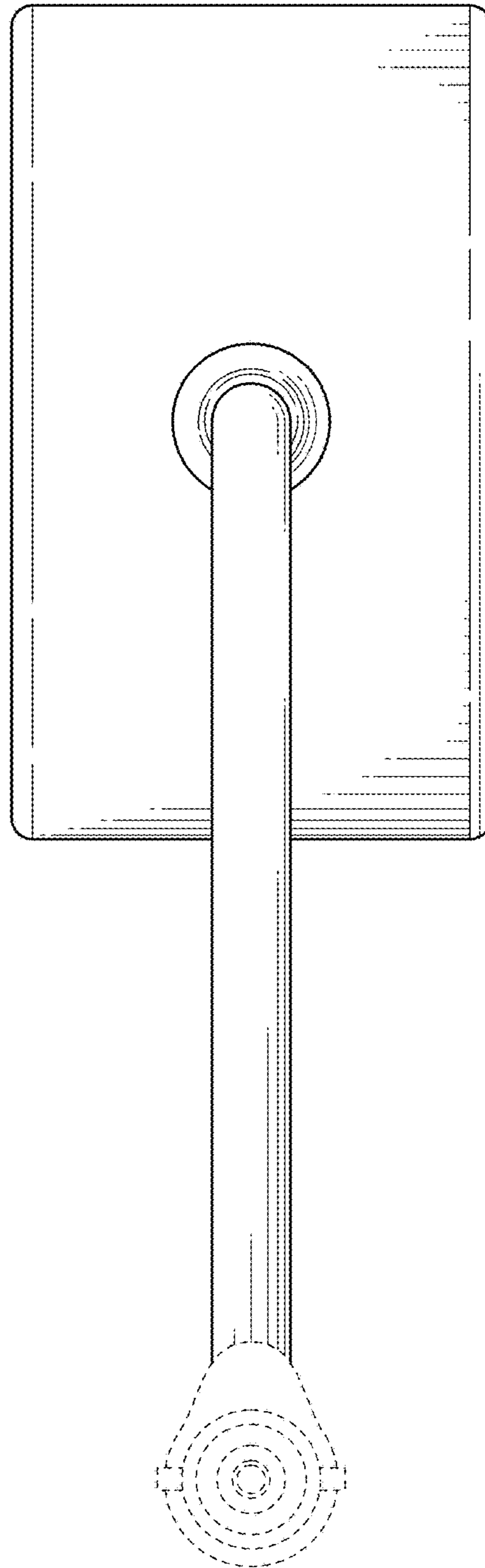


FIG. 10

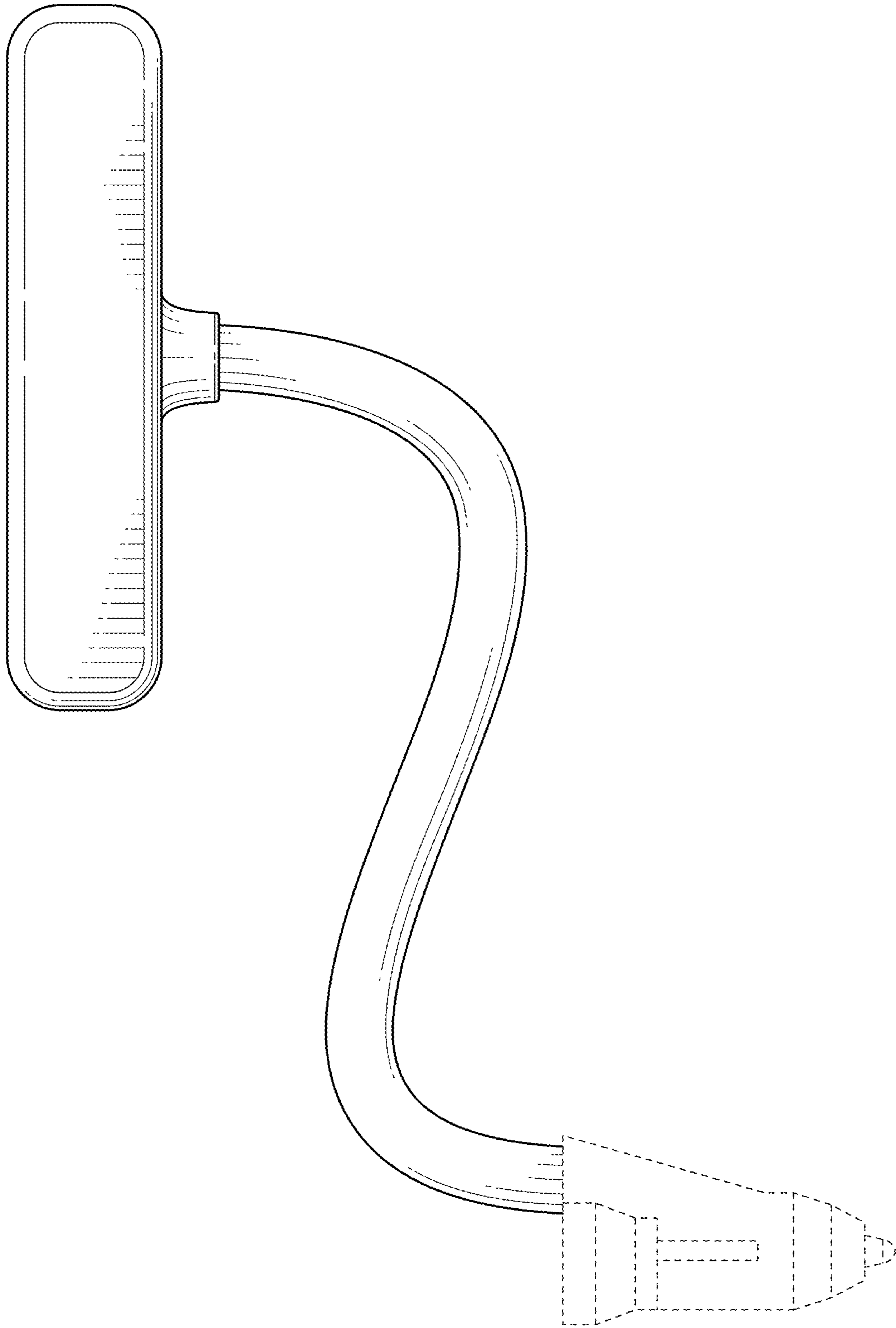


FIG. 11

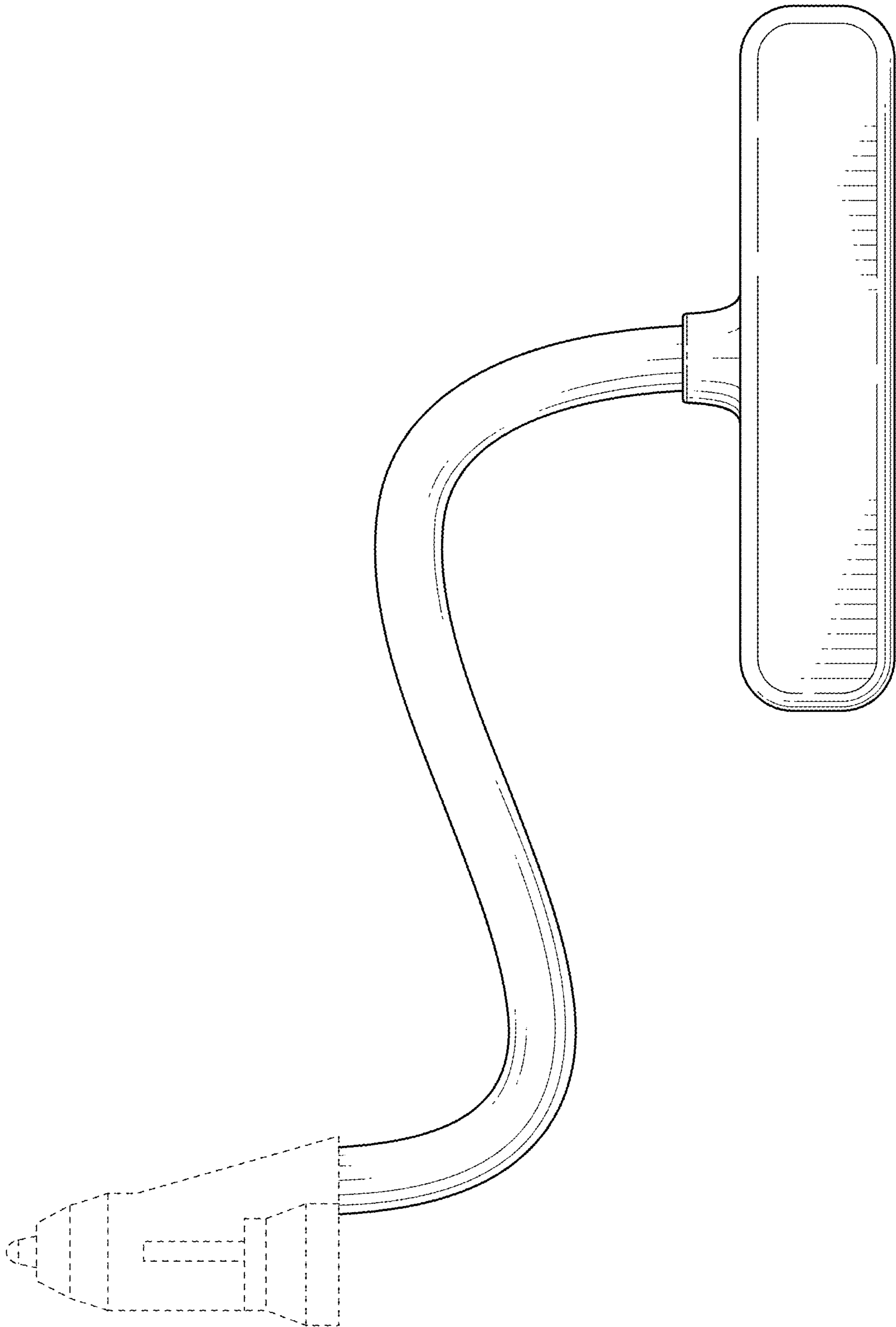


FIG. 12

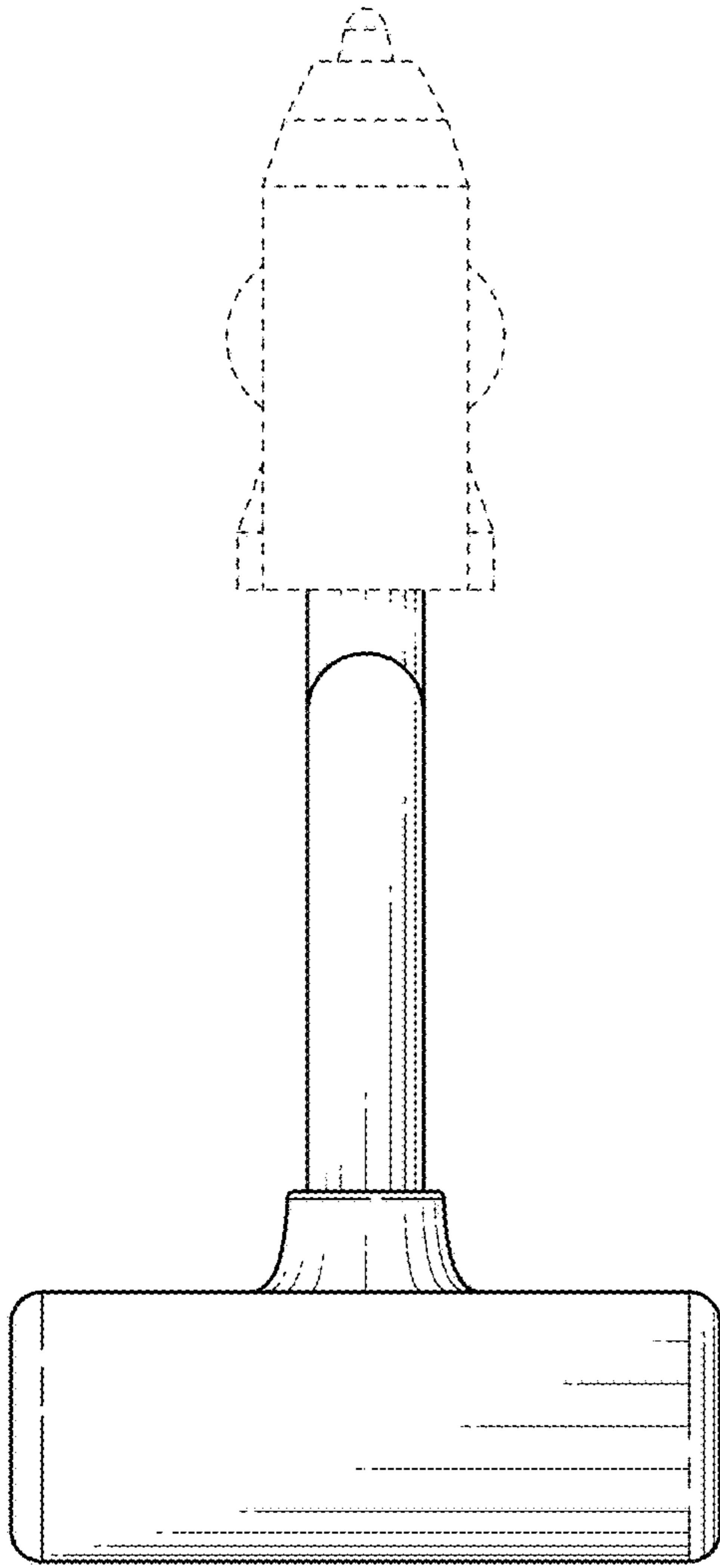


FIG. 13

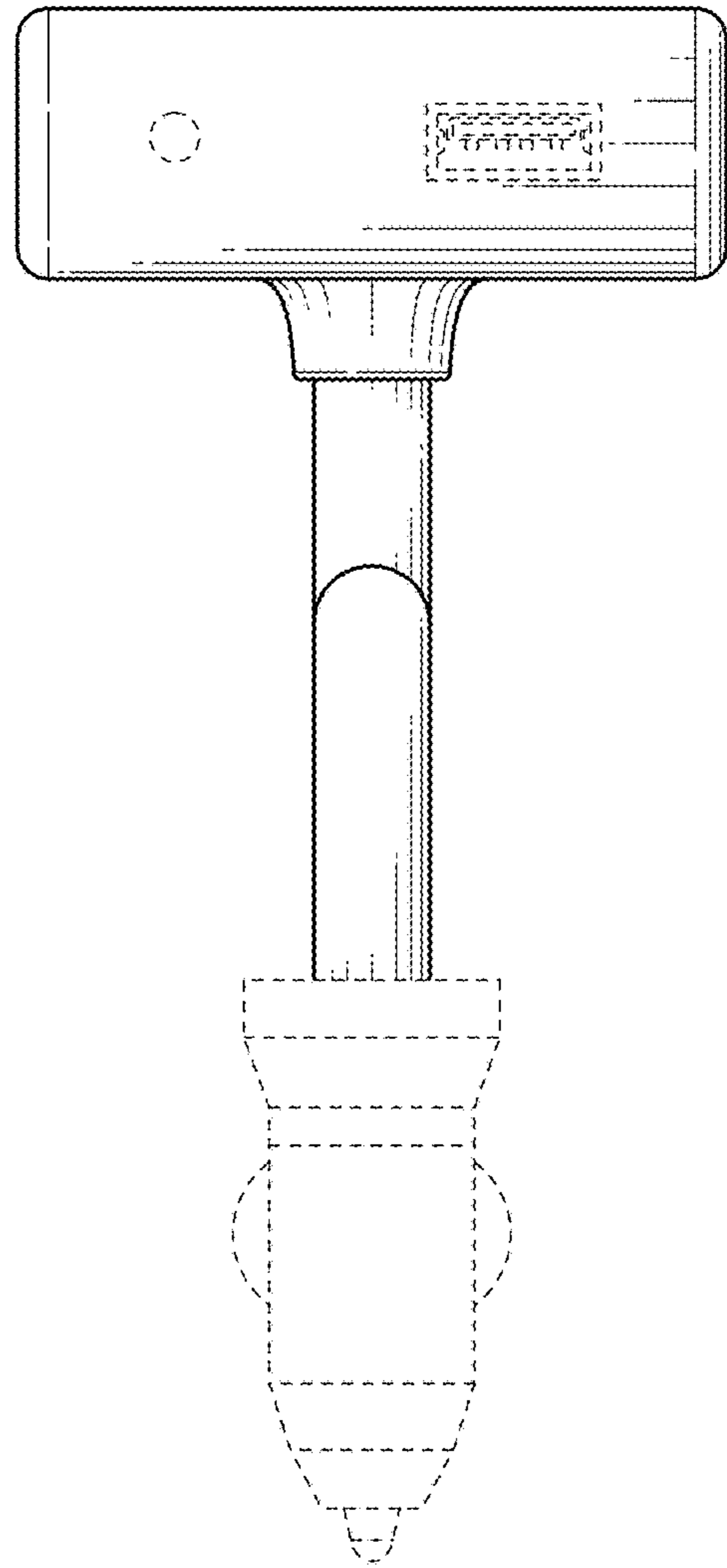


FIG. 14