



US00D840408S

(12) **United States Design Patent**  
**Chen et al.**

(10) **Patent No.:** **US D840,408 S**

(45) **Date of Patent:** **\*\* Feb. 12, 2019**

- (54) **ELECTRONIC DEVICE HOLDER**
- (71) Applicant: **CHENXERGO INC.**, Taoyuan (TW)
- (72) Inventors: **Cheng-Hung Chen**, Taoyuan (TW);  
**Chang-Li Liu**, Taoyuan (TW)
- (73) Assignee: **CHENXERGO INC.**, Taoyuan (TW)
- (\*\*) Term: **15 Years**
- (21) Appl. No.: **29/624,085**
- (22) Filed: **Oct. 30, 2017**
- (51) **LOC (11) Cl.** ..... **08-07**
- (52) **U.S. Cl.**  
USPC ..... **D14/447**
- (58) **Field of Classification Search**  
USPC ..... D14/447, 432, 434, 439, 440, 451, 452,  
D14/457, 239; D8/363, 373, 380;  
D6/406.3, 406.4, 406.5, 406.6; D12/415  
See application file for complete search history.

- D706,784 S \* 6/2014 Mills ..... D14/447
- D723,043 S \* 2/2015 Chang ..... D14/451
- D768,138 S \* 10/2016 Malsan ..... D14/447
- D768,639 S \* 10/2016 Sumii ..... D14/447
- 2018/0136695 A1 \* 5/2018 Lo ..... G06F 1/1632

\* cited by examiner

*Primary Examiner* — Angela J Lee

(74) *Attorney, Agent, or Firm* — Muncy, Geissler, Olds & Lowe, P.C.

(57) **CLAIM**

The ornamental design for an electronic device holder, as shown and described.

**DESCRIPTION**

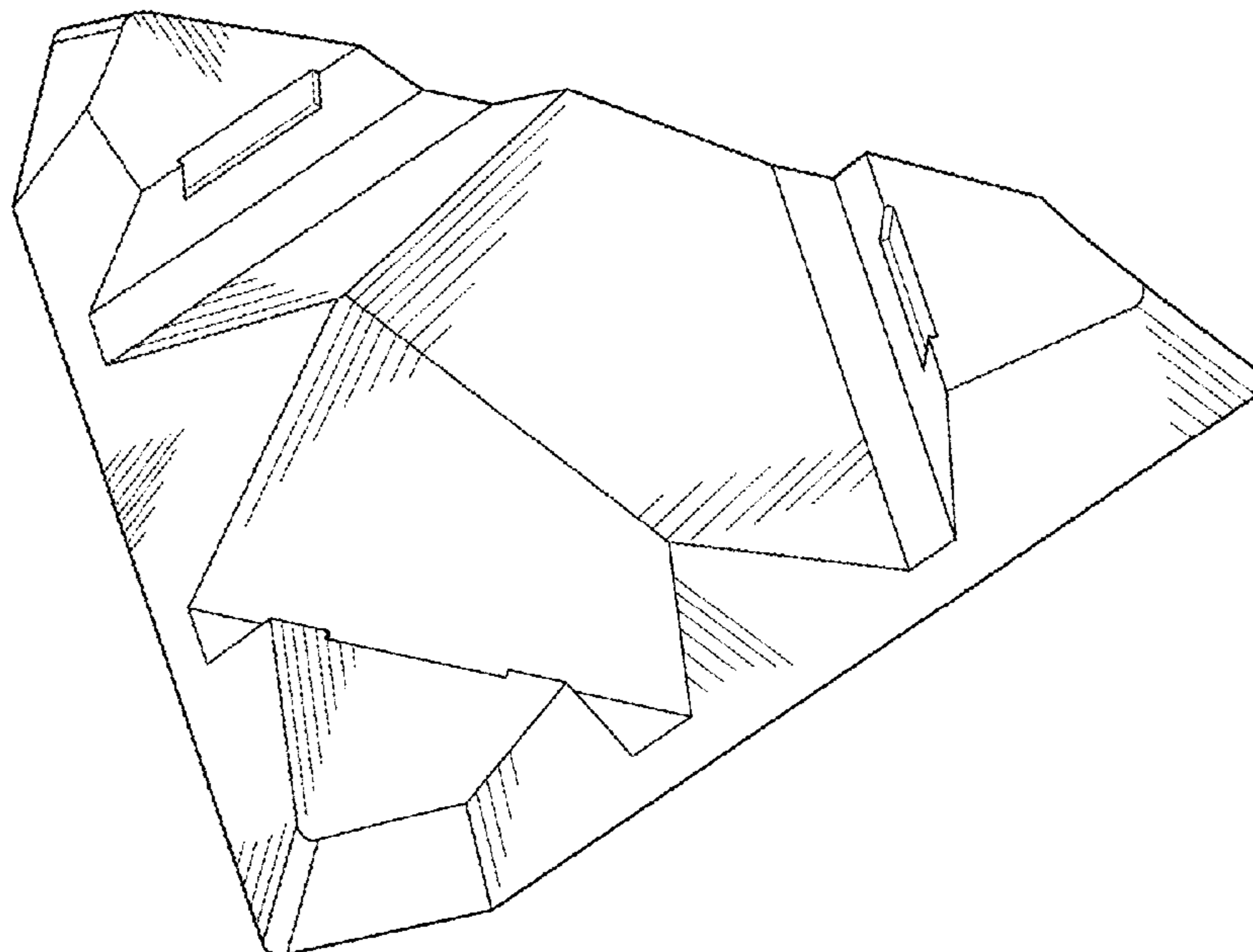
FIG. 1 is a perspective view of an electronic device holder showing my design;  
 FIG. 2 is a front view thereof;  
 FIG. 3 is a rear view thereof;  
 FIG. 4 is a left side view thereof;  
 FIG. 5 is a right side view thereof;  
 FIG. 6 is a top view thereof;  
 FIG. 7 is a bottom view thereof;  
 FIG. 8 is a bottom perspective view thereof;  
 FIG. 9 is a perspective view showing the use state of the electronic device holder in accordance with the design; and,  
 FIG. 10 is a perspective view showing another use state of the electronic device holder in accordance with the design. The broken line representations of portions in FIGS. 9-10 are for the purpose of illustration only, and form no part of the claimed design.

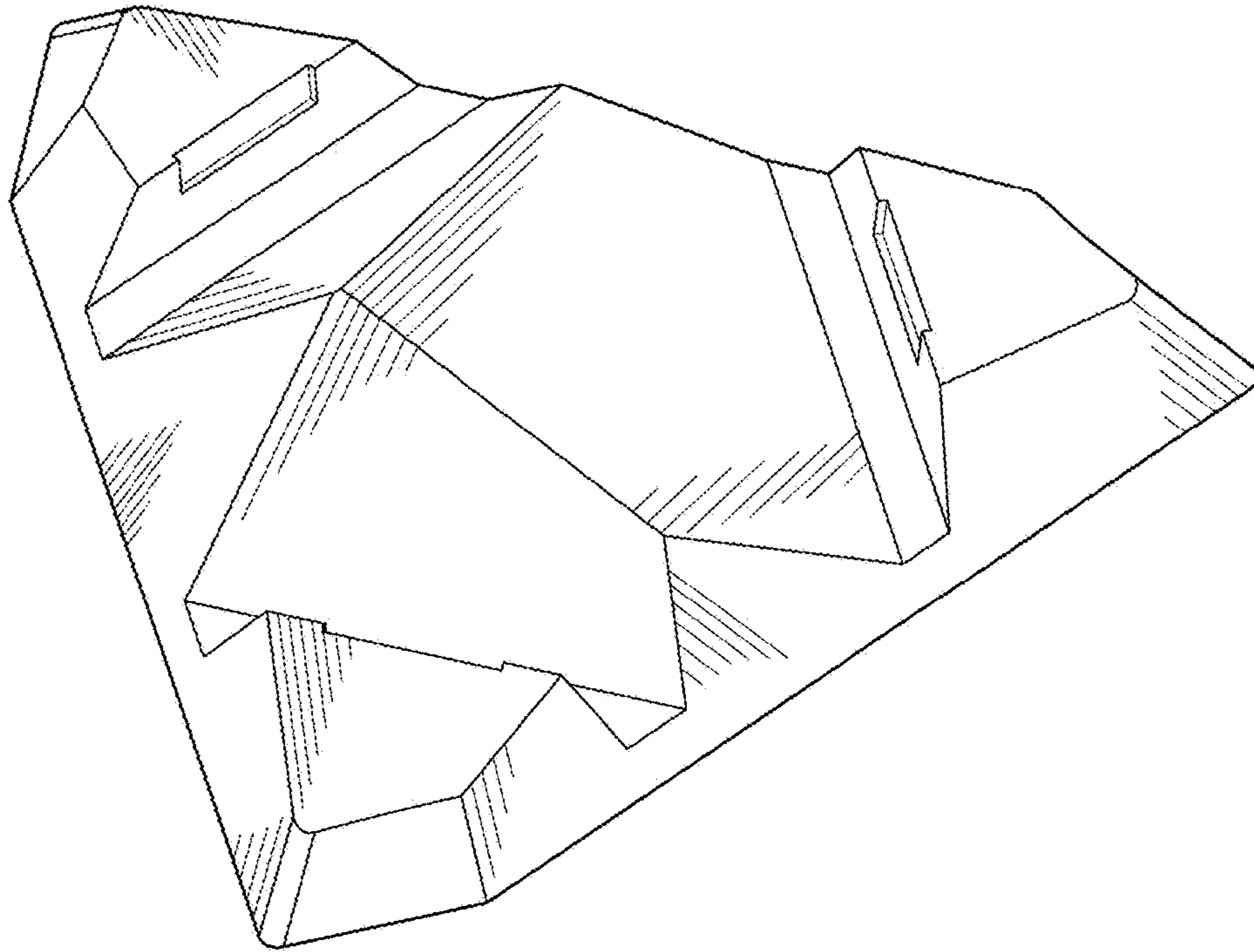
(56) **References Cited**

**U.S. PATENT DOCUMENTS**

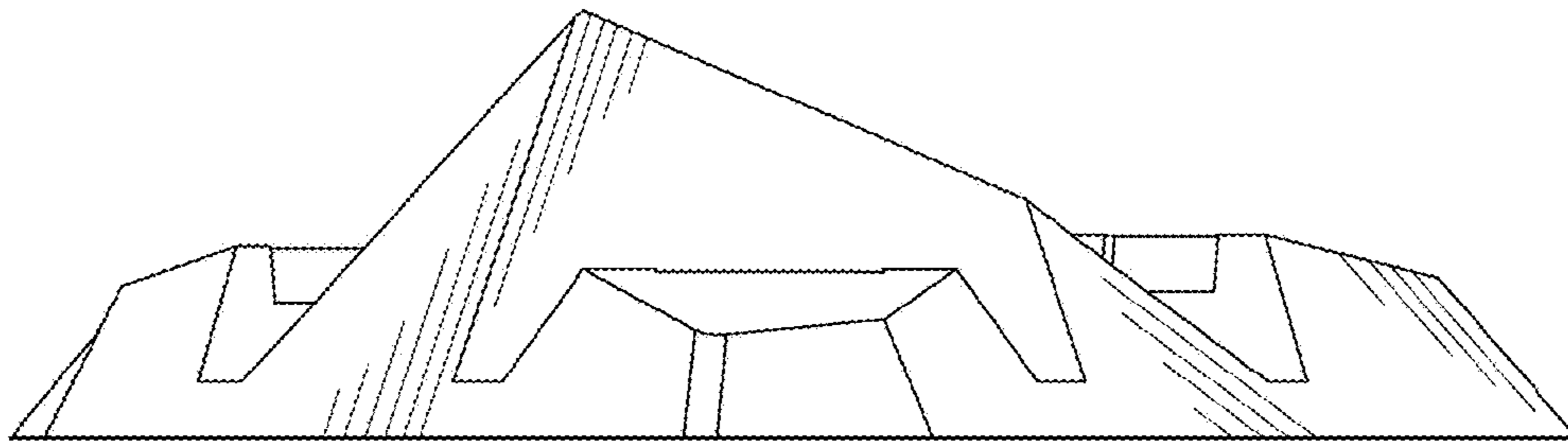
- D362,664 S \* 9/1995 Widmann ..... D14/451
- D619,882 S \* 7/2010 Estok ..... D8/354
- D637,602 S \* 5/2011 Brechbuhler ..... D14/451
- D652,422 S \* 1/2012 Cheng ..... D14/253
- D654,921 S \* 2/2012 Malsan ..... D14/447
- D666,200 S \* 8/2012 Tien ..... D14/434
- D703,212 S \* 4/2014 Cruz ..... D14/447
- D703,215 S \* 4/2014 Alesi ..... D14/447

**1 Claim, 10 Drawing Sheets**

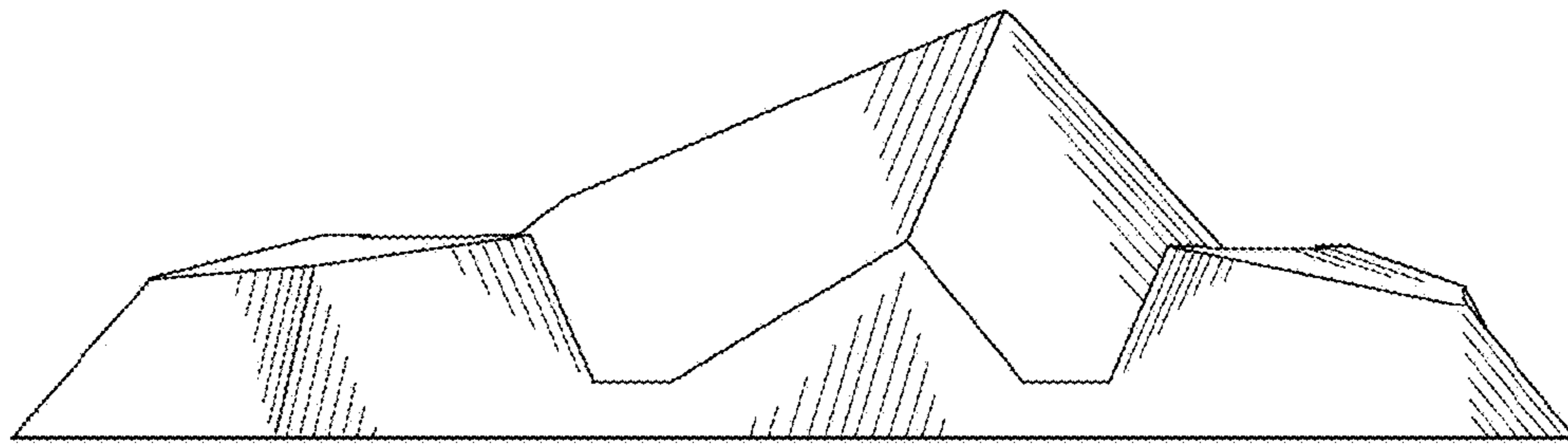




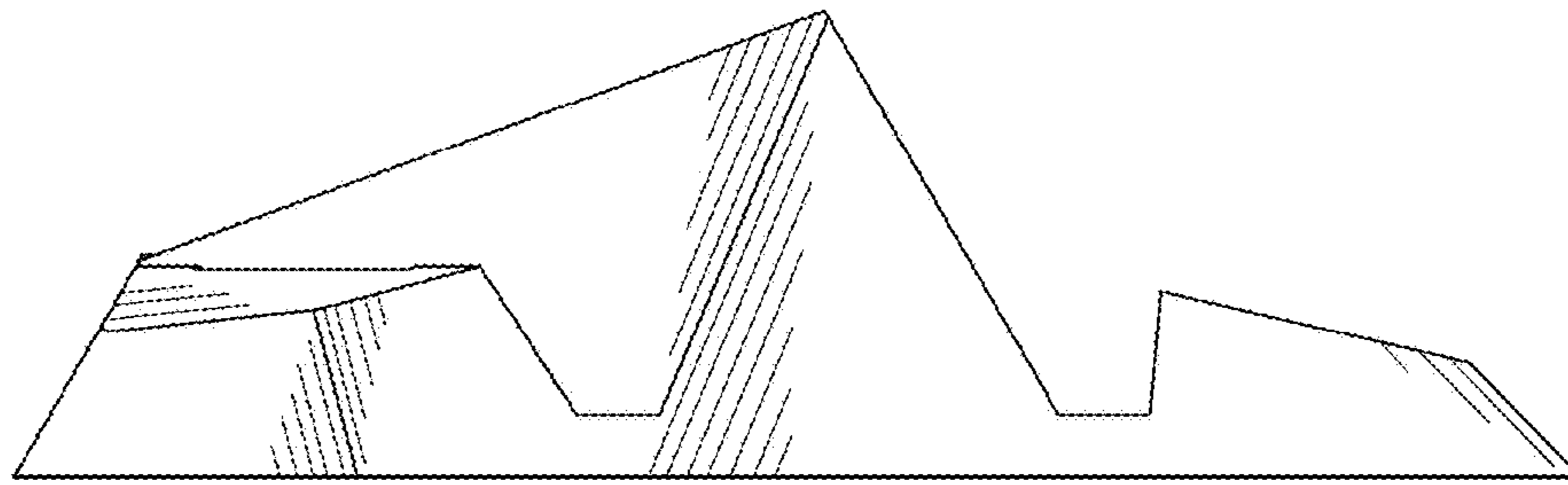
*FIG. 1*



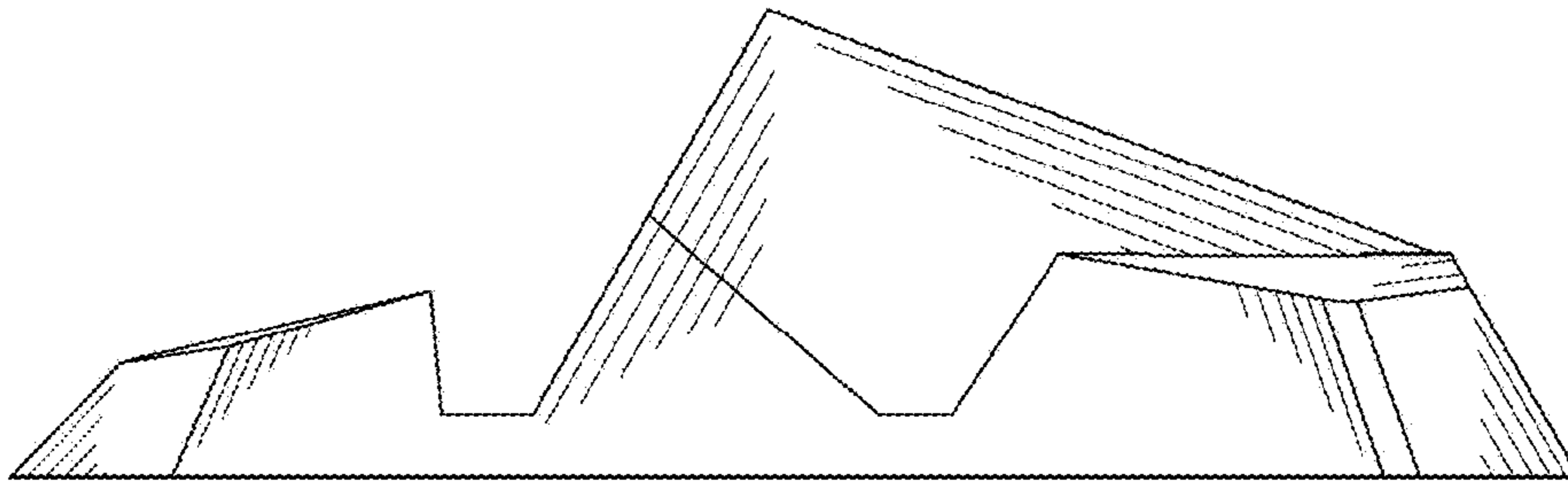
*FIG. 2*



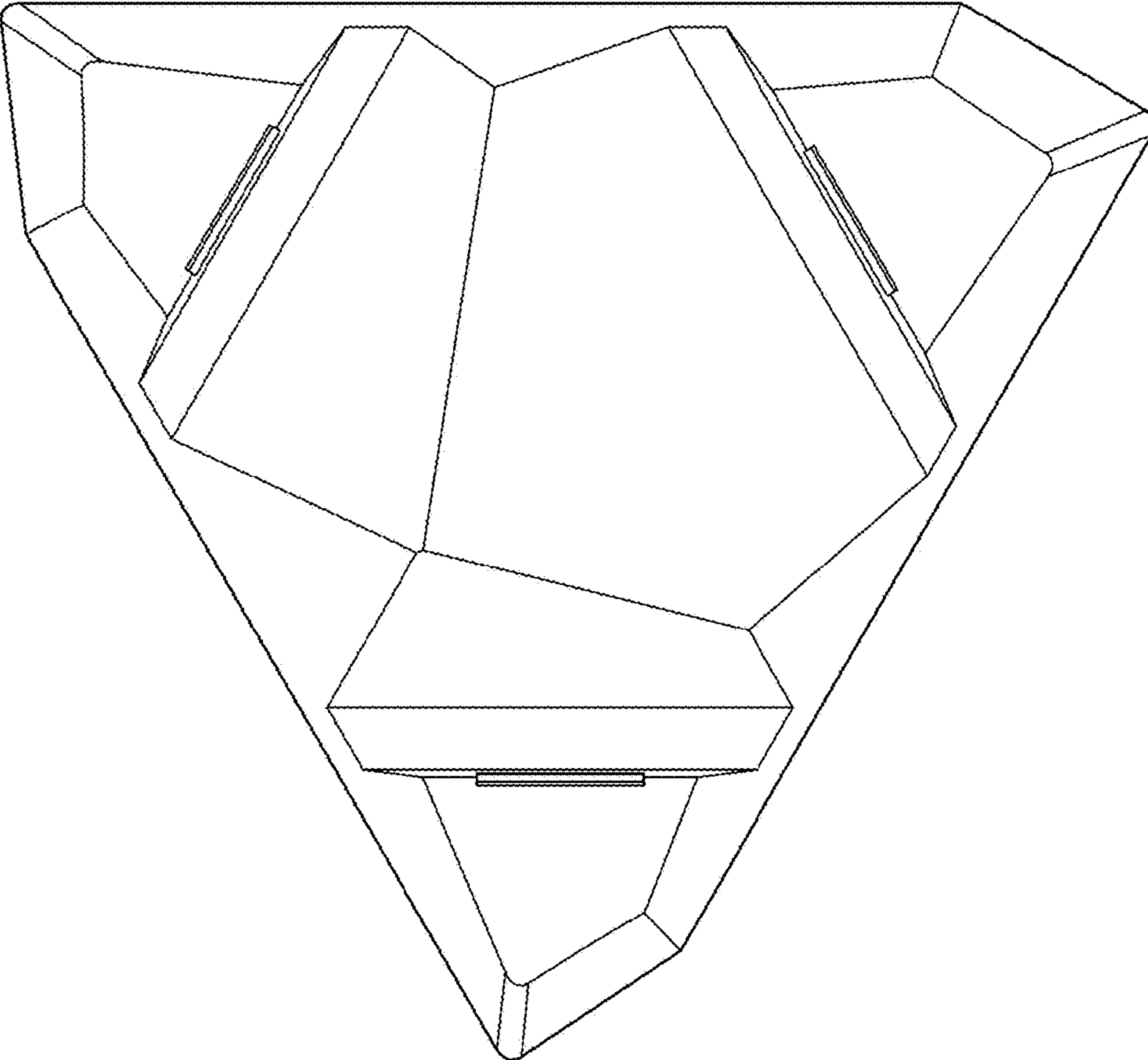
*FIG. 3*



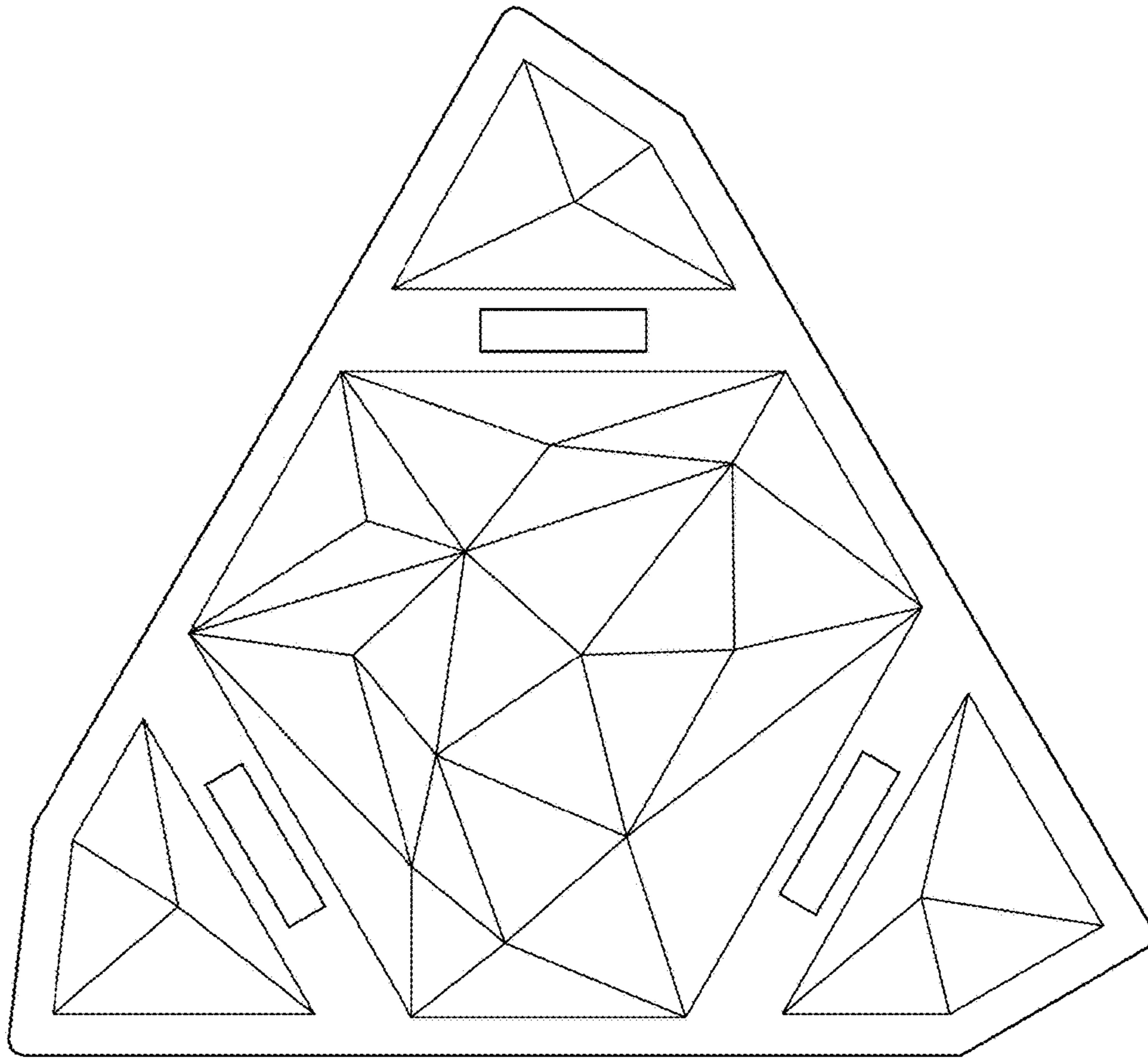
*FIG. 4*



*FIG. 5*

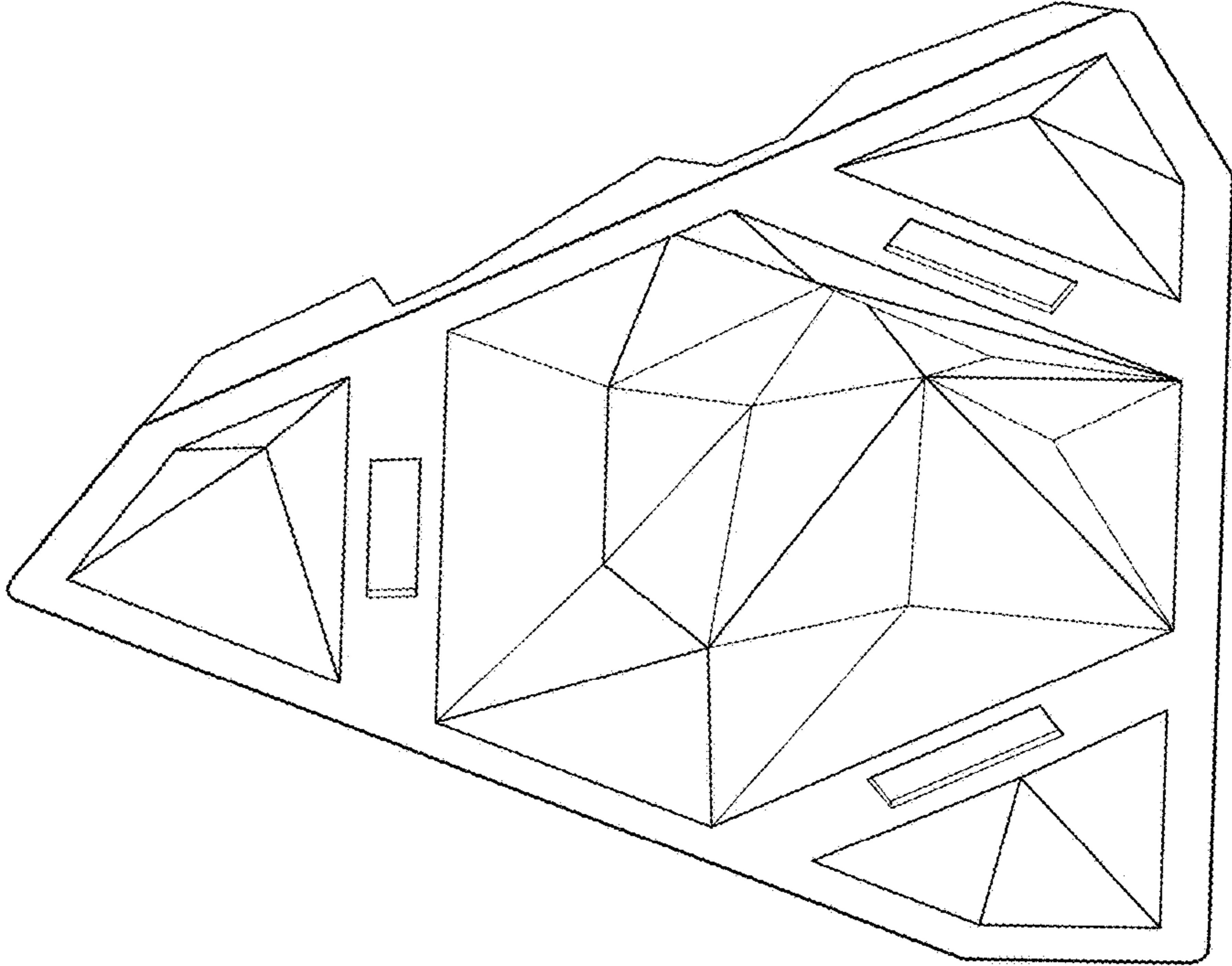


*FIG. 6*

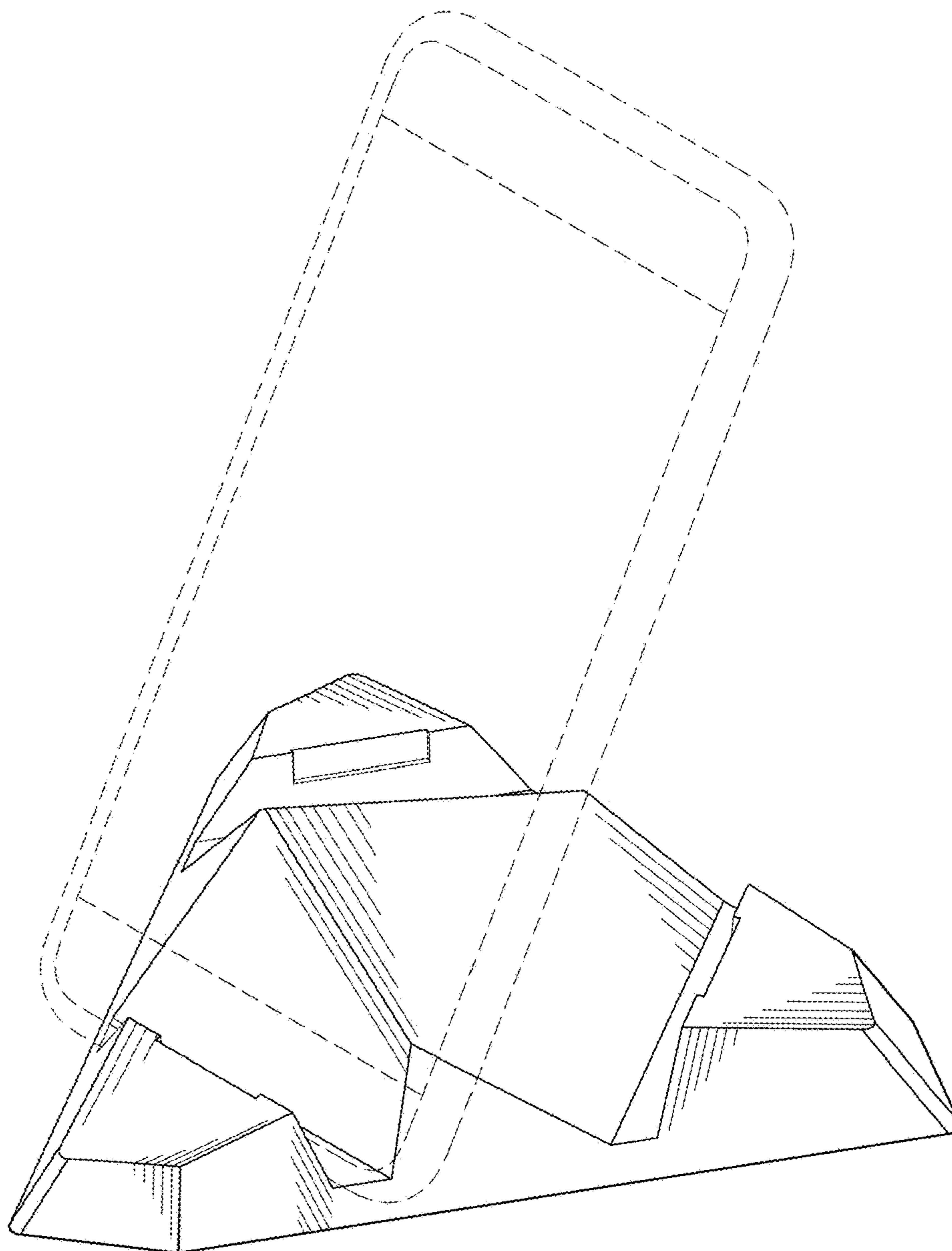


*FIG. 7*

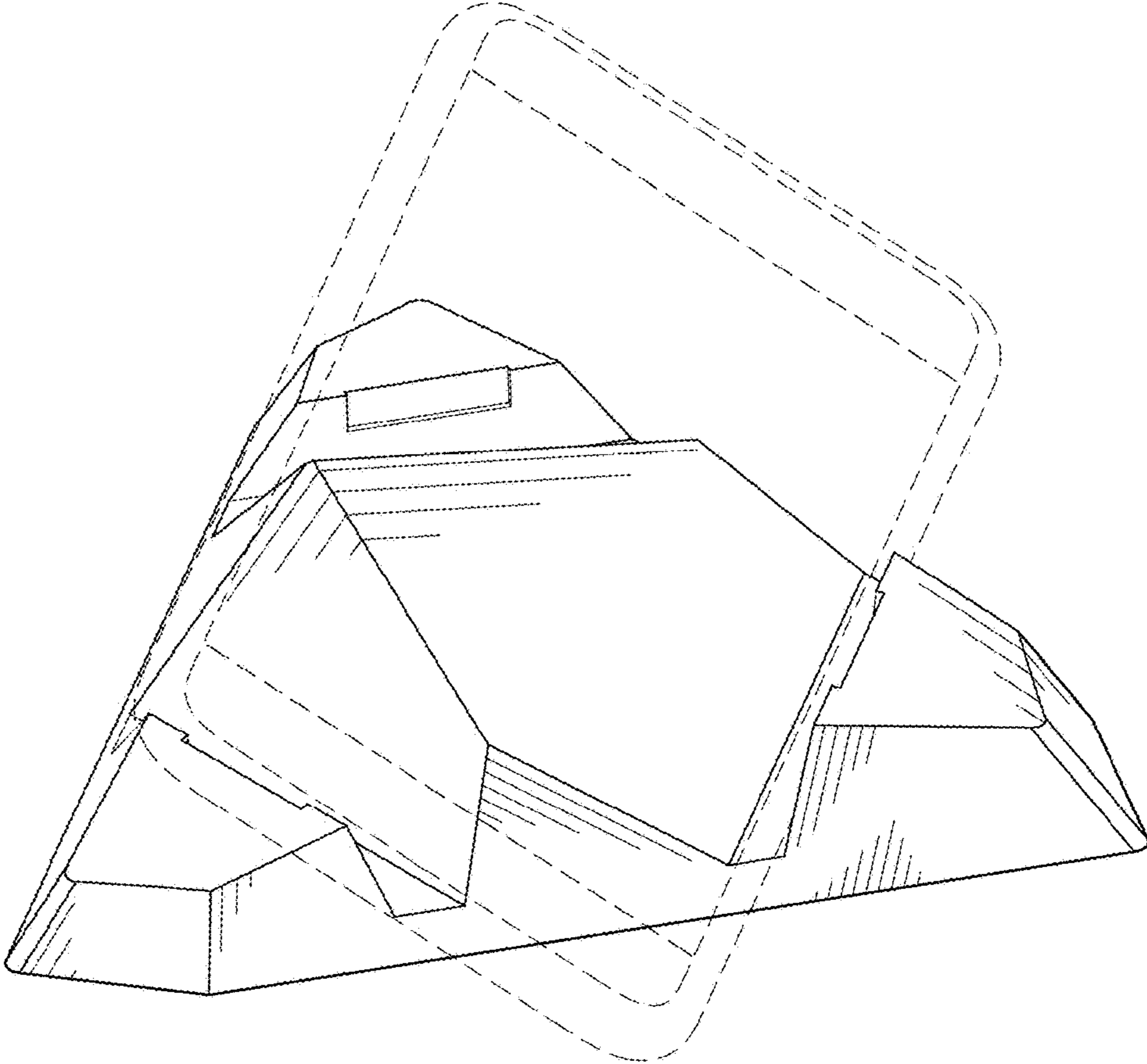




*FIG. 8*



*FIG. 9*



*FIG. 10*