

US00D840405S

(12) **United States Design Patent** (10) **Patent No.:** **US D840,405 S**  
**Akana et al.** (45) **Date of Patent:** **\*\* Feb. 12, 2019**

(54) **CASE FOR PORTABLE DISPLAY DEVICE**

(71) Applicant: **Apple Inc.**, Cupertino, CA (US)

(72) Inventors: **Jody Akana**, San Francisco, CA (US);  
**Bartley K. Andre**, Palo Alto, CA (US);  
**Jeremy Bataillou**, San Francisco, CA (US);  
**Daniel J. Coster**, San Francisco, CA (US);  
**Daniele De Iuliis**, San Francisco, CA (US);  
**M. Evans Hankey**, San Francisco, CA (US);  
**Julian Hoenig**, San Francisco, CA (US);  
**Richard P. Howarth**, San Francisco, CA (US);  
**Jonathan P. Ive**, San Francisco, CA (US);  
**Duncan Robert Kerr**, San Francisco, CA (US);  
**Shin Nishibori**, Kailua, HI (US);  
**Matthew Dean Rohrbach**, San Francisco, CA (US);  
**Peter Russell-Clarke**, San Francisco, CA (US);  
**Christopher J. Stringer**, Woodside, CA (US);  
**Eugene Antony Whang**, San Francisco, CA (US);  
**Rico Zörkendörfer**, San Francisco, CA (US)

(73) Assignee: **Apple Inc.**, Cupertino, CA (US)

(\*\*) Term: **15 Years**

(21) Appl. No.: **29/586,557**

(22) Filed: **Dec. 5, 2016**

**Related U.S. Application Data**

(63) Continuation of application No. 29/500,365, filed on Aug. 25, 2014, now Pat. No. Des. 773,454, which is a continuation of application No. 29/415,927, filed on Mar. 15, 2012, now Pat. No. Des. 713,402, which is a continuation-in-part of application No. 29/415,035, filed on Mar. 6, 2012, now abandoned, which is a continuation of application No. 29/415,062, filed on Mar. 7, 2012, now Pat. No. Des. 688,251, and a continuation of application No. 29/415,035, filed on Mar. 6, 2012, now abandoned.

(51) **LOC (11) Cl.** ..... **04-02**

(52) **U.S. Cl.**  
USPC ..... **D14/440**

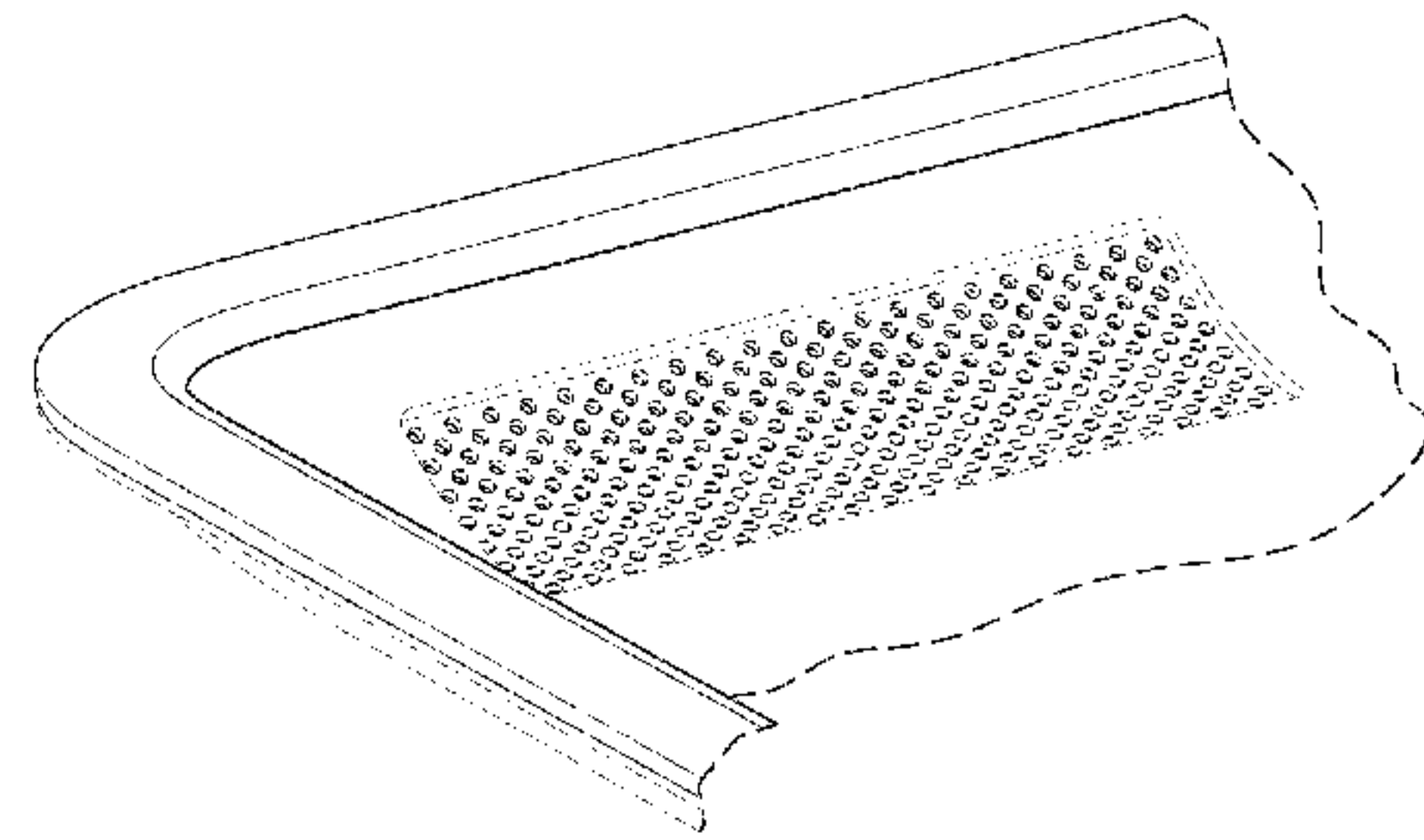
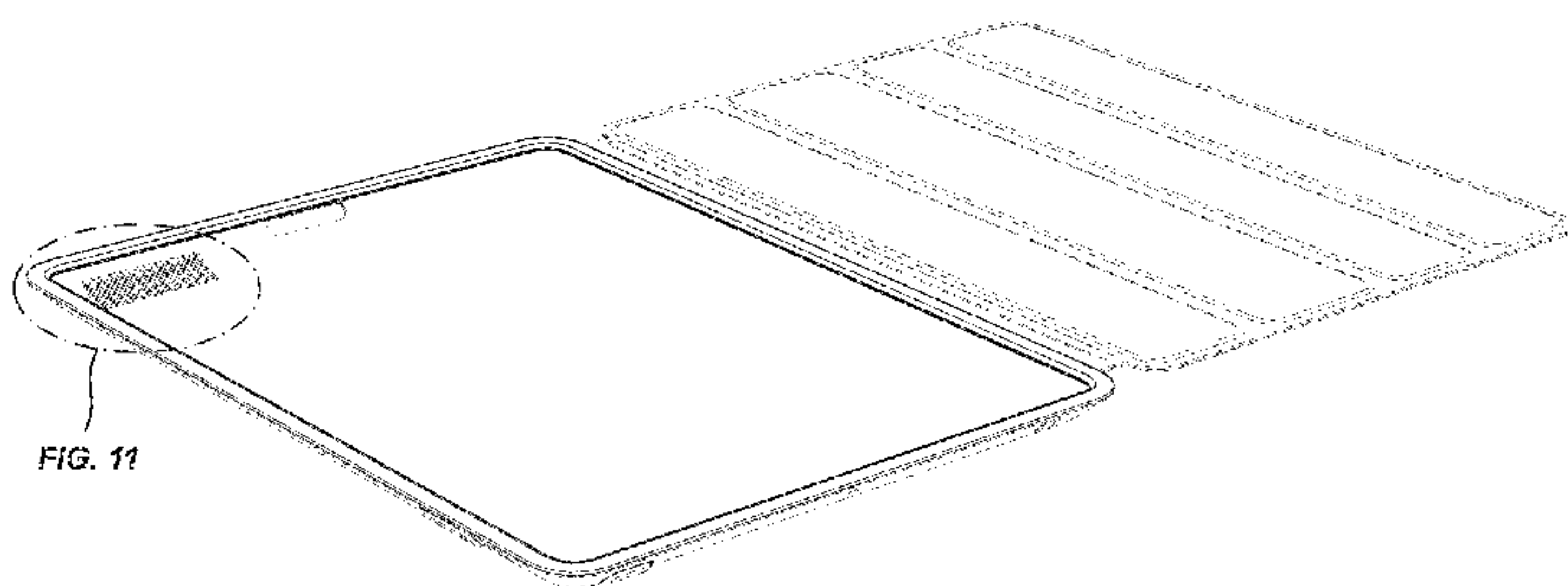
(58) **Field of Classification Search**  
USPC ..... D14/341-347, 336, 337, 371, 374, 138,  
D14/496, 440; D10/65; 345/901, 104,  
345/133, 156, 168, 173; 348/180, 184,  
348/325, 739, 373, 376; 385/88; 710/62;  
455/575.3, 575.1; D19/60; 361/679.27;  
178/18.03; 434/317

See application file for complete search history.

(56) **References Cited**

**U.S. PATENT DOCUMENTS**

2,968,176 A	1/1961	Collings
3,442,371 A	5/1969	Deshong et al.
4,718,550 A	1/1988	Johnson
D321,855 S	11/1991	Ross, Jr.
5,066,158 A	11/1991	Huang
5,092,354 A	3/1992	Pacelli, Jr.
D331,191 S	11/1992	Ventola et al.
D340,701 S	10/1993	Takeuchi
D356,120 S	3/1995	Allen
D364,191 S	11/1995	Allen
D414,033 S	9/1999	Rohm
D461,469 S	8/2002	Wang et al.
D467,429 S	12/2002	Bone et al.
D512,100 S	11/2005	Howes et al.
D517,512 S	3/2006	Peng
D518,007 S	3/2006	Peng
D518,008 S	3/2006	Peng
D538,096 S	3/2007	Bartell et al.
D538,787 S	3/2007	Tsai
D542,772 S	5/2007	Shimizu
D555,667 S	11/2007	Hussanini et al.
D556,681 S	12/2007	Kim
D557,814 S	12/2007	Glenn et al.
D574,819 S	8/2008	Andre et al.
D577,743 S	9/2008	Liu
D582,405 S	12/2008	Andre et al.
D583,360 S	12/2008	Gredler
D584,141 S	1/2009	Smith et al.
D593,540 S	6/2009	Skurdal
D594,876 S	6/2009	Hwang
D599,821 S	9/2009	Tang
D604,744 S	11/2009	Tseng et al.
D606,096 S	12/2009	Bui
D606,751 S	12/2009	Andre et al.
D608,794 S	1/2010	Xiao et al.





D609,718 S 2/2010 Chang et al.  
 D616,416 S 5/2010 Lin  
 D616,464 S 5/2010 Park  
 D619,361 S 7/2010 Andre et al.  
 D622,258 S 8/2010 Joseph  
 D622,716 S 8/2010 Andre et al.  
 D627,777 S 11/2010 Akana et al.  
 D633,388 S 3/2011 Andre et al.  
 D637,814 S 5/2011 Akana et al.  
 D639,296 S 6/2011 Tseng et al.  
 D641,348 S 7/2011 Kim et al.  
 D644,248 S 8/2011 Kim et al.  
 D649,785 S 12/2011 Akana et al.  
 D652,829 S 1/2012 Kim et al.  
 D656,495 S 3/2012 Andre et al.  
 D656,929 S 4/2012 Hsiung  
 D657,354 S 4/2012 Kim  
 D658,186 S 4/2012 Akana et al.  
 D658,880 S 5/2012 Akana et al.  
 D662,503 S 6/2012 Akana et al.  
 D663,304 S 7/2012 Akana et al.  
 D663,724 S 7/2012 Lee et al.  
 D664,564 S 7/2012 Gillett et al.  
 D669,059 S 10/2012 Huang  
 D670,499 S 11/2012 Akana et al.  
 D670,692 S 11/2012 Andre et al.  
 D671,114 S 11/2012 Akana et al.  
 D671,948 S 12/2012 Akana et al.  
 D672,781 S 12/2012 Lu  
 D674,799 S 1/2013 Kim  
 D674,800 S 1/2013 Kim  
 D678,260 S 3/2013 Bau  
 D679,279 S 4/2013 Yang et al.  
 D679,715 S 4/2013 Akana et al.  
 D681,641 S 5/2013 Van Den Nieuwenhuizen et al.  
 D682,836 S 5/2013 Akana et al.  
 D682,838 S 5/2013 Akana et al.  
 D685,800 S 7/2013 Canizares et al.  
 D685,801 S 7/2013 Canizares et al.  
 D685,802 S 7/2013 Canizares et al.  
 D687,438 S 8/2013 Lu  
 D688,251 S 8/2013 Akana et al.  
 D688,868 S 9/2013 Akana et al.  
 D689,482 S 9/2013 Akana et al.  
 D689,498 S 9/2013 Akana et al.  
 D690,703 S 10/2013 Welch et al.  
 D691,142 S 10/2013 Diebel  
 D691,143 S 10/2013 Diebel  
 D691,145 S 10/2013 Nam-Su  
 D691,611 S 10/2013 Kirzinger  
 D692,433 S 10/2013 Akana et al.  
 D692,434 S 10/2013 Kim  
 D694,741 S 12/2013 Kim  
 D696,253 S 12/2013 Akana et al.  
 D696,256 S 12/2013 Piedra et al.  
 D696,669 S 12/2013 Akana et al.  
 D696,693 S 12/2013 Kim et al.  
 8,657,112 B2 2/2014 Igarashi  
 D701,205 S 3/2014 Akana et al.  
 D703,209 S 4/2014 Marcus  
 8,790,758 B2 7/2014 Kenney et al.  
 D710,838 S 8/2014 Song  
 D711,861 S 8/2014 Mei  
 D711,887 S 8/2014 Akana et al.  
 D729,812 S 5/2015 Ahn et al.  
 D733,111 S 6/2015 Kim  
 D734,760 S 7/2015 Brunner et al.  
 D748,636 S 2/2016 Zadvinskis  
 9,419,669 B2 \* 8/2016 Smith ..... A45C 5/02  
 D765,661 S \* 9/2016 Akana ..... D14/432  
 D770,457 S \* 11/2016 Massucco ..... D14/440  
 D772,877 S \* 11/2016 Akana ..... D14/432  
 D772,880 S \* 11/2016 Corcoran ..... D14/440  
 D779,497 S \* 2/2017 Meng ..... D14/440  
 D784,348 S \* 4/2017 Zhang ..... D14/440  
 D792,884 S \* 7/2017 Nyholm ..... D14/440  
 9,729,685 B2 \* 8/2017 Lye ..... G06F 1/1677  
 9,735,824 B2 \* 8/2017 Ko ..... H04B 1/3877  
 9,769,293 B2 \* 9/2017 Gu ..... H04M 1/0235

9,778,705 B2 \* 10/2017 Esmaeili ..... G06F 1/1684  
 D808,393 S \* 1/2018 Moore ..... D14/440  
 D811,411 S \* 2/2018 Moore ..... D14/440  
 D816,677 S \* 5/2018 Akana ..... D14/440  
 2009/0107858 A1 4/2009 Huang  
 2009/0194209 A1 8/2009 De Filippis et al.  
 2010/0289390 A1 11/2010 Kenney  
 2010/0300909 A1 12/2010 Hung  
 2011/0164365 A1 7/2011 McClure et al.  
 2012/0194448 A1 8/2012 Rothkopf  
 2013/0020216 A1 1/2013 Chiou  
 2013/0034740 A1 \* 2/2013 Giachino ..... C09J 177/00  
 428/457  
 2013/0048520 A1 2/2013 Garrett et al.  
 2013/0233762 A1 \* 9/2013 Balaji ..... B65D 25/00  
 206/736  
 2013/0277271 A1 10/2013 Toulotte

FOREIGN PATENT DOCUMENTS

AU	338106	8/2011
EM	001266266-0001	3/2011
EM	001266282-0001	3/2011
EM	001266290-0001	3/2011
GB	4020173	6/2011
JP	1429341	12/2011
TW	154071	6/2013

OTHER PUBLICATIONS

Incase, “Introducing the Convertible Magazine Jacket for iPad,” goincase.com, accessed at <http://goincasing.com/blog/2010/11/23/introducing-the-convertible-magazine-jacket-for-ipad/>, posted Nov. 23, 2010, 7 pages.  
 Case-Parts, “Original Targus Folding Genuine Leather Case for Apple iPad with Built-in Holder,” <http://www.case-parts.com/details/Original-Targus-Folding-Genuine-Leather-Case-for-Apple-iPad-with-Built-in-Holder-IPAD-570/photos.htm>, 3 pages.  
 Review: AViiQ Smart Case for iPad 2, which was published on YouTube at <http://www.youtube.com/watch?v=DaHjzeVWEuA>, May 24, 2011, 3 pages.  
 AViiQ Smart Case for iPad 2 compliments Apple’s Smart Cover (Review), which was published on YouTube at <http://www.youtube.com/watch?v=wMoZM-ZSn4g>, Aug. 31, 2011, 2 pages.  
 Youtube.com, “iPad 2—Best Protective Case—Smart Cover+Smart Cover Back by Simplism”, (<http://www.youtube.com/watch?v=SRHhU98NAd0&feature=endscreen&NR=1>), May 15, 2011.  
 The First iPad 2 Smart Cover Clones are Here, which was published on GIZMODO.com at <http://gizmodo.com/5782270/the-first-ipad-2-smart-cover-clones-are-here>, Mar. 15, 2011, 2 pages.

\* cited by examiner

Primary Examiner — Barbara Fox  
 (74) Attorney, Agent, or Firm — Sterne, Kessler, Goldstein & Fox P.L.L.C.

(57) CLAIM

The ornamental design for a case for portable display device, as shown and described.

DESCRIPTION

FIG. 1 is a top front perspective view of a case for portable display device in an open position showing the claimed design;  
 FIG. 2 is a bottom rear perspective view thereof;  
 FIG. 3 is a front view thereof;  
 FIG. 4 is a rear view thereof;  
 FIG. 5 is a bottom view thereof;  
 FIG. 6 is a top view thereof;

FIG. 7 is an enlarged left side view thereof;  
FIG. 8 is an enlarged right side view thereof;  
FIG. 9 is an enlarged bottom view in two parts;  
FIG. 10 is an enlarged top view in two parts; and,  
FIG. 11 is an enlarged view of a portion of FIG. 1.  
The broken lines in the figures show portions of the case for portable display device that form no part of the claimed design.

**1 Claim, 8 Drawing Sheets**

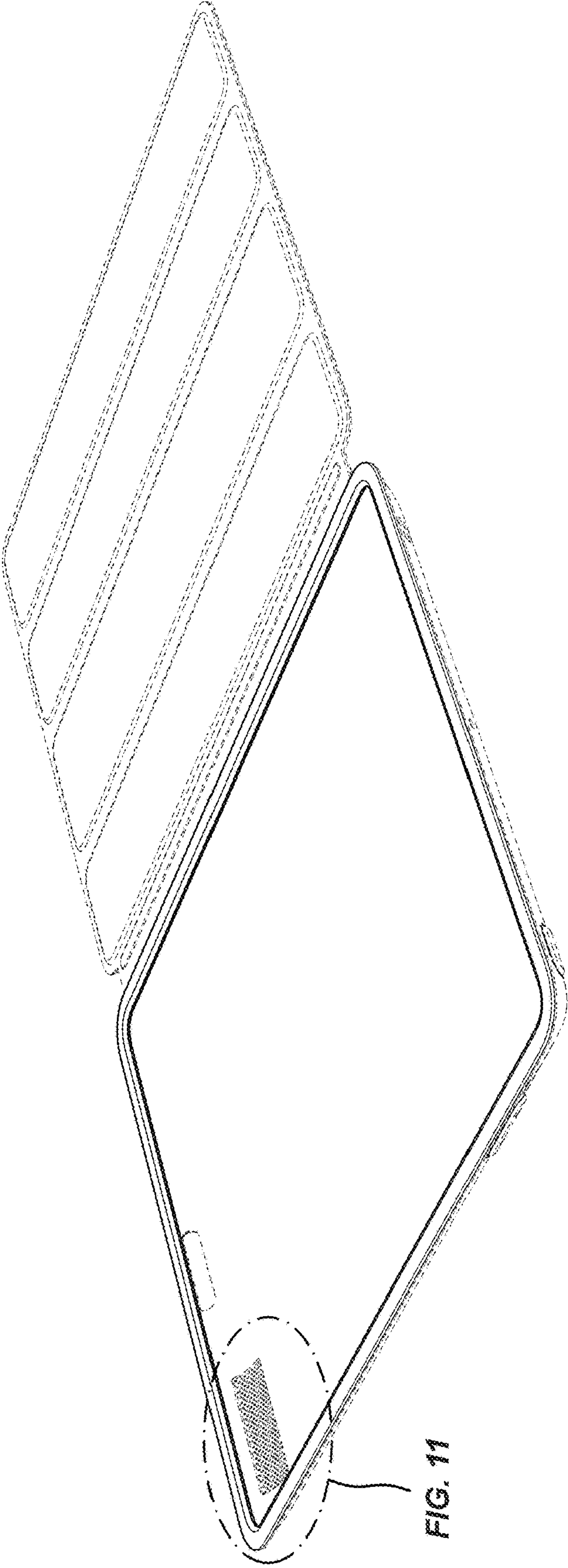


FIG. 1

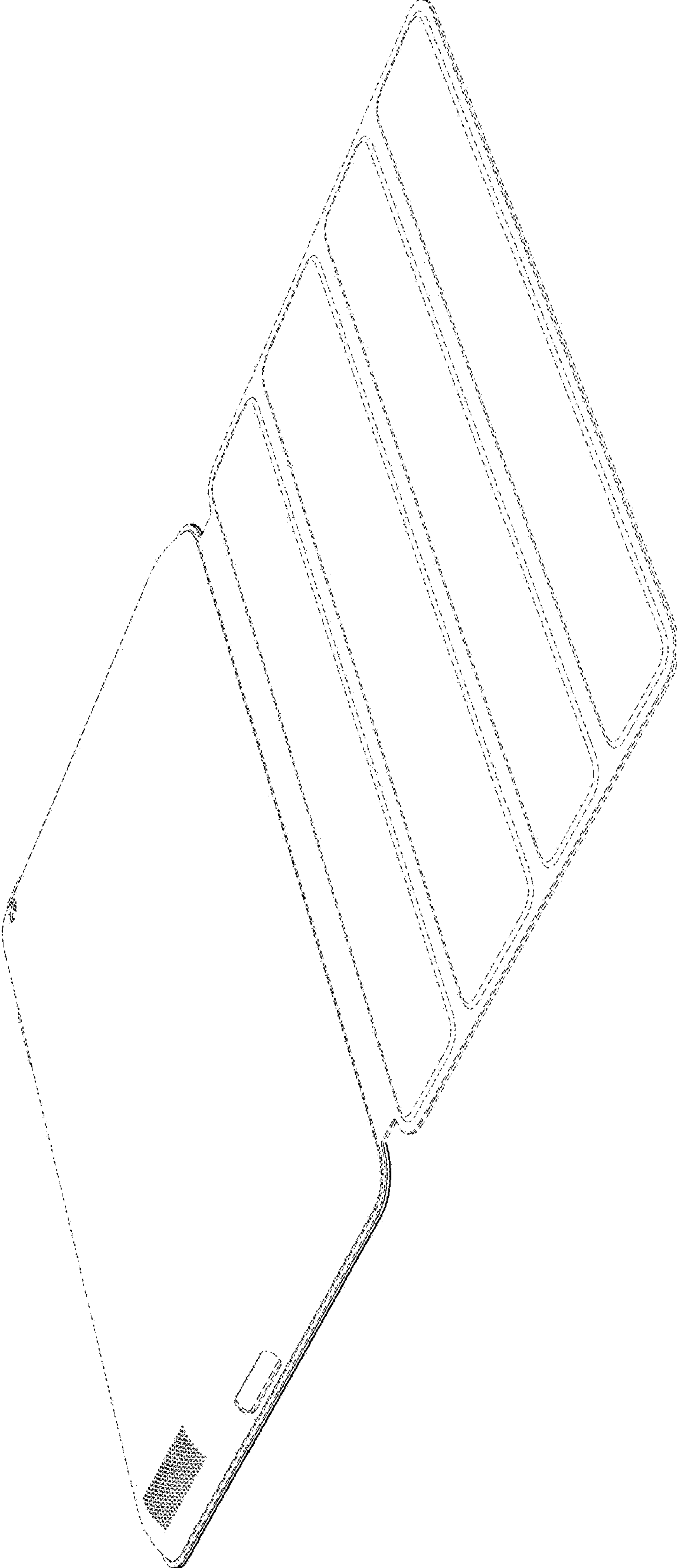


FIG. 2



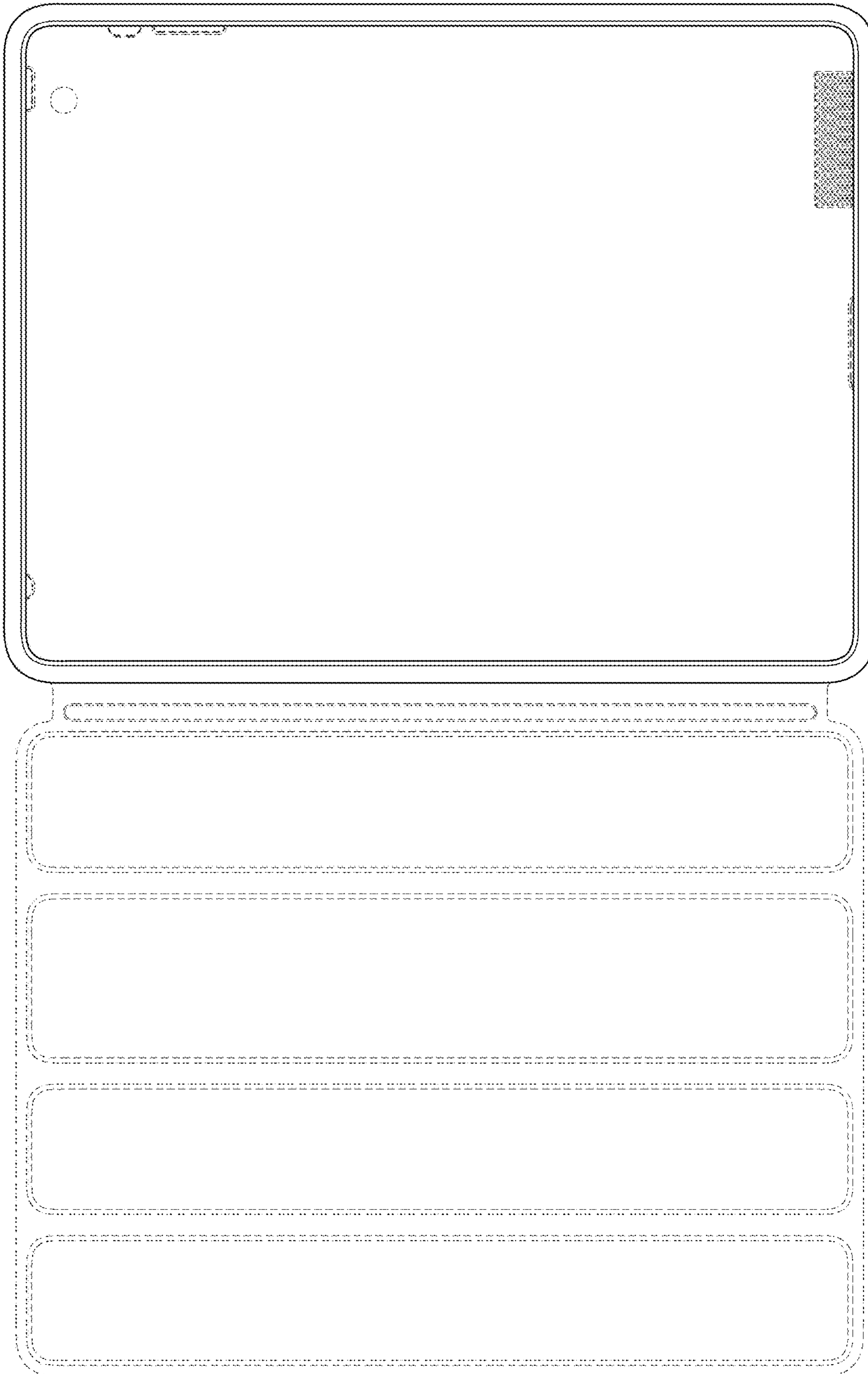


FIG. 3

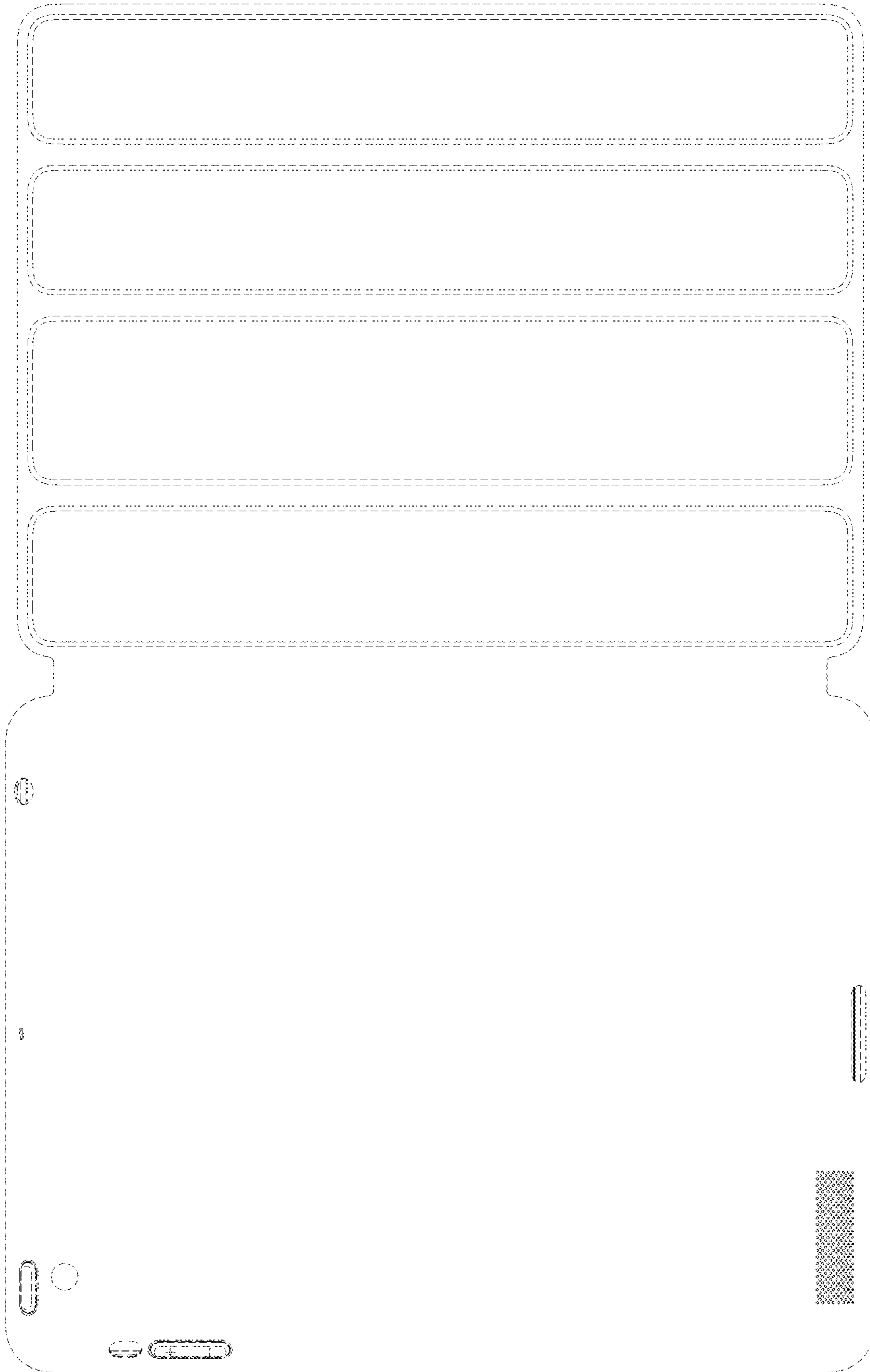


FIG. 4



FIG. 5



FIG. 6





FIG. 7

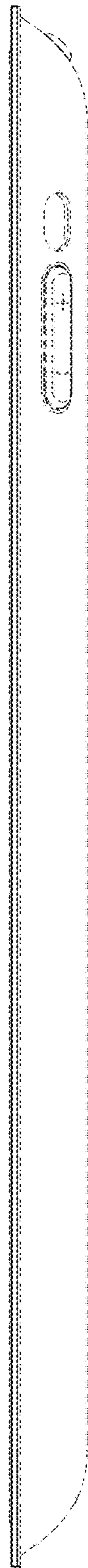


FIG. 8

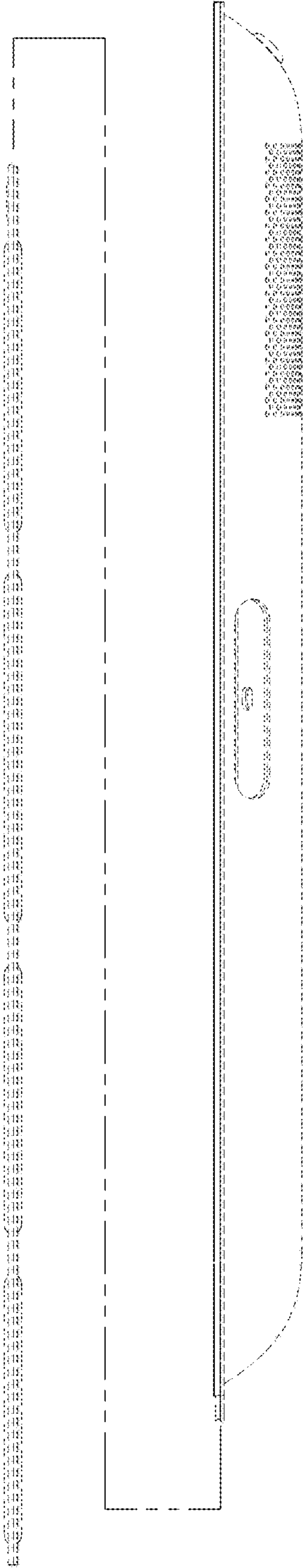


FIG. 9

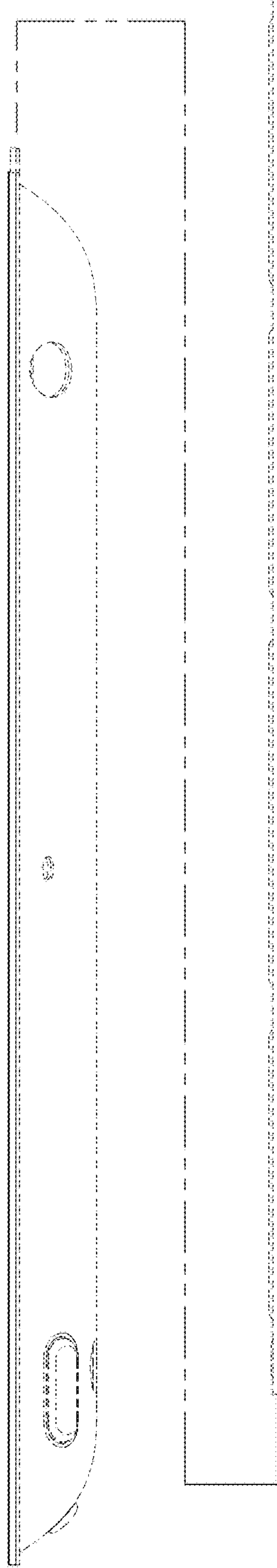


FIG. 10

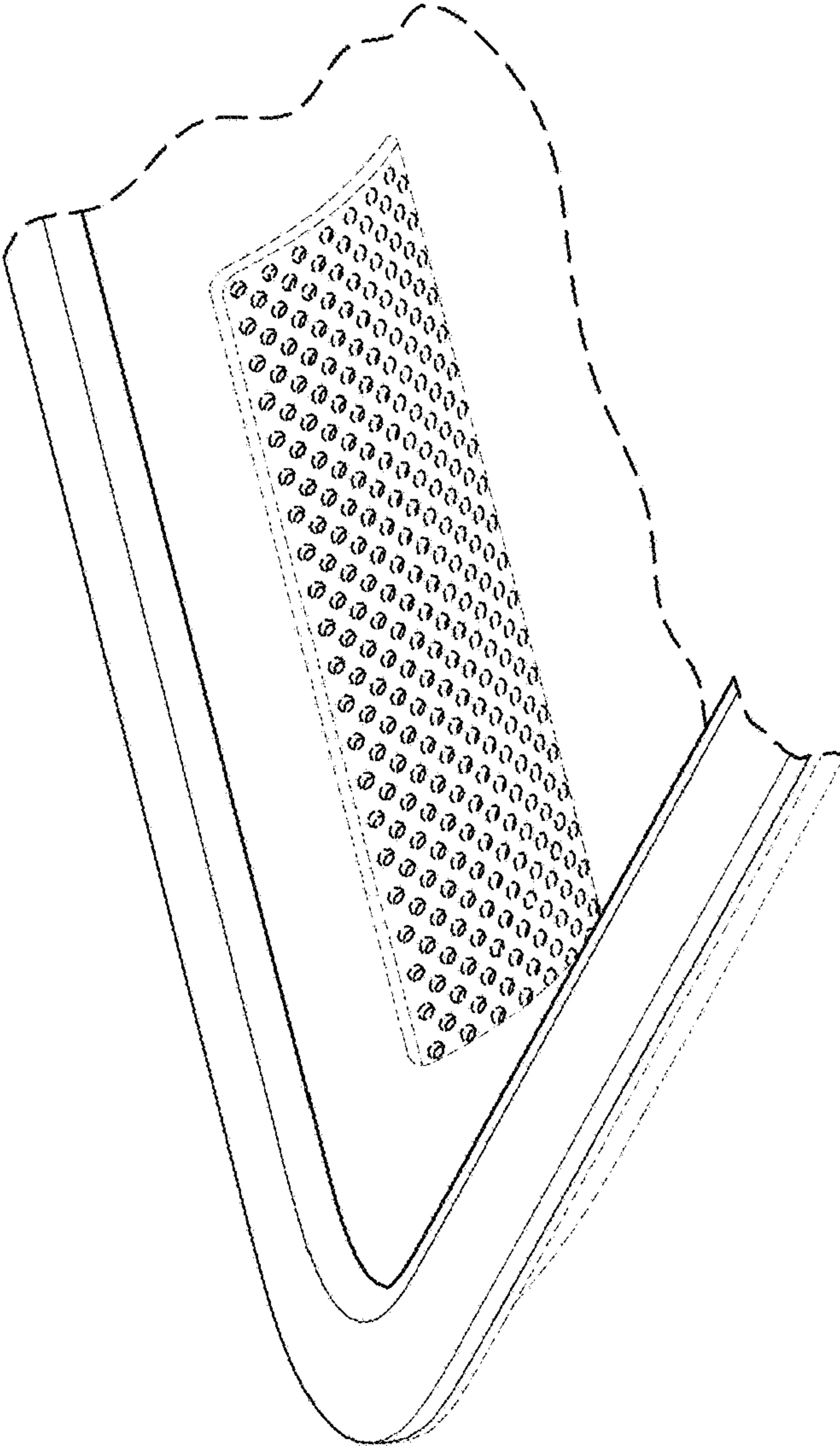


FIG. 11

UNITED STATES PATENT AND TRADEMARK OFFICE  
**CERTIFICATE OF CORRECTION**

PATENT NO. : D840,405 S  
APPLICATION NO. : 29/586557  
DATED : February 12, 2019  
INVENTOR(S) : Akana et al.

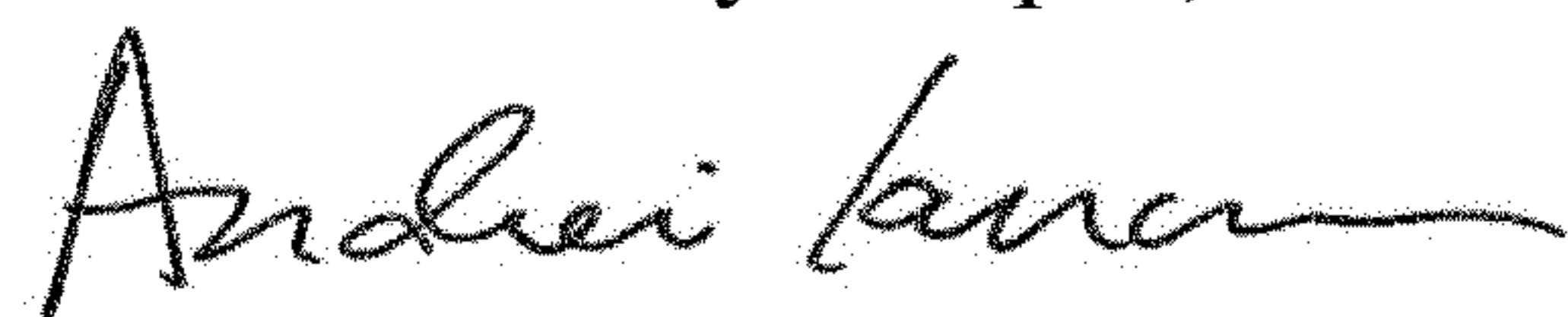
Page 1 of 1

It is certified that error appears in the above-identified patent and that said Letters Patent is hereby corrected as shown below:

On the Title Page

Please replace the Related U.S. Application Data Item (63) with the following:  
Continuation of application No. 29/500,365, filed on Aug. 25, 2014, now Pat. No. Des.  
773,454, which is a continuation of application No. 29/415,927, filed on Mar. 15, 2012, now  
Pat. No. Des. 713,402, which is a continuation-in-part of application No. 29/415,035, filed on  
Mar. 6, 2012, now abandoned, and a continuation of application No. 29/415,062, filed on  
Mar. 7, 2012, now Pat. No. Des. 688,251. Application No. 29/415,062 is a continuation of  
said application No. 29/415,035, filed Mar. 6, 2012.

Signed and Sealed this  
Thirtieth Day of April, 2019



Andrei Iancu  
*Director of the United States Patent and Trademark Office*