



US00D840403S

(12) **United States Design Patent** (10) **Patent No.:** **US D840,403 S**  
**Wolff et al.** (45) **Date of Patent:** **\*\* \*Feb. 12, 2019**

(54) **3-D DESIGN ELEMENT FOR HARDWARE**

(56) **References Cited**

(71) Applicant: **Hewlett Packard Enterprise Development LP**, Houston, TX (US)

U.S. PATENT DOCUMENTS

(72) Inventors: **Stacy L. Wolff**, Cypress, TX (US);  
**Keith J. Kuehn**, Magnolia, TX (US);  
**Brooks Vaughan**, Tomball, TX (US);  
**Stephen Spencer**, Houston, TX (US);  
**Bjoern Frank**, Munich (DE); **Nick Ross**, Munich (DE)

782,229 A 2/1905 Field  
3,851,194 A 11/1974 Kawada  
D243,378 S 2/1977 Tharp  
D255,522 S 6/1980 Quigley, Jr. et al.  
D282,024 S 1/1986 Muranen

(Continued)

(73) Assignee: **Hewlett Packard Enterprise Development LP**, Houston, TX (US)

OTHER PUBLICATIONS

(\*) Notice: This patent is subject to a terminal disclaimer.

U.S. Trademark Application Serial No. 86/596,916, filed on Apr. 14, 2015; Applicant: Hewlett Packard Enterprise Development LP Enterprise DC Holdings LLC.

(Continued)

(\*\*) Term: **15 Years**

*Primary Examiner* — Austin Murphy

(21) Appl. No.: **29/554,462**

(74) *Attorney, Agent, or Firm* — Fross Zelnick Lehrman & Zissu, P.C.

(22) Filed: **Feb. 11, 2016**

(57) **CLAIM**

The ornamental design for a 3-D design element for hardware, as shown and described.

**Related U.S. Application Data**

**DESCRIPTION**

(63) Continuation of application No. 29/542,370, filed on Oct. 13, 2015.

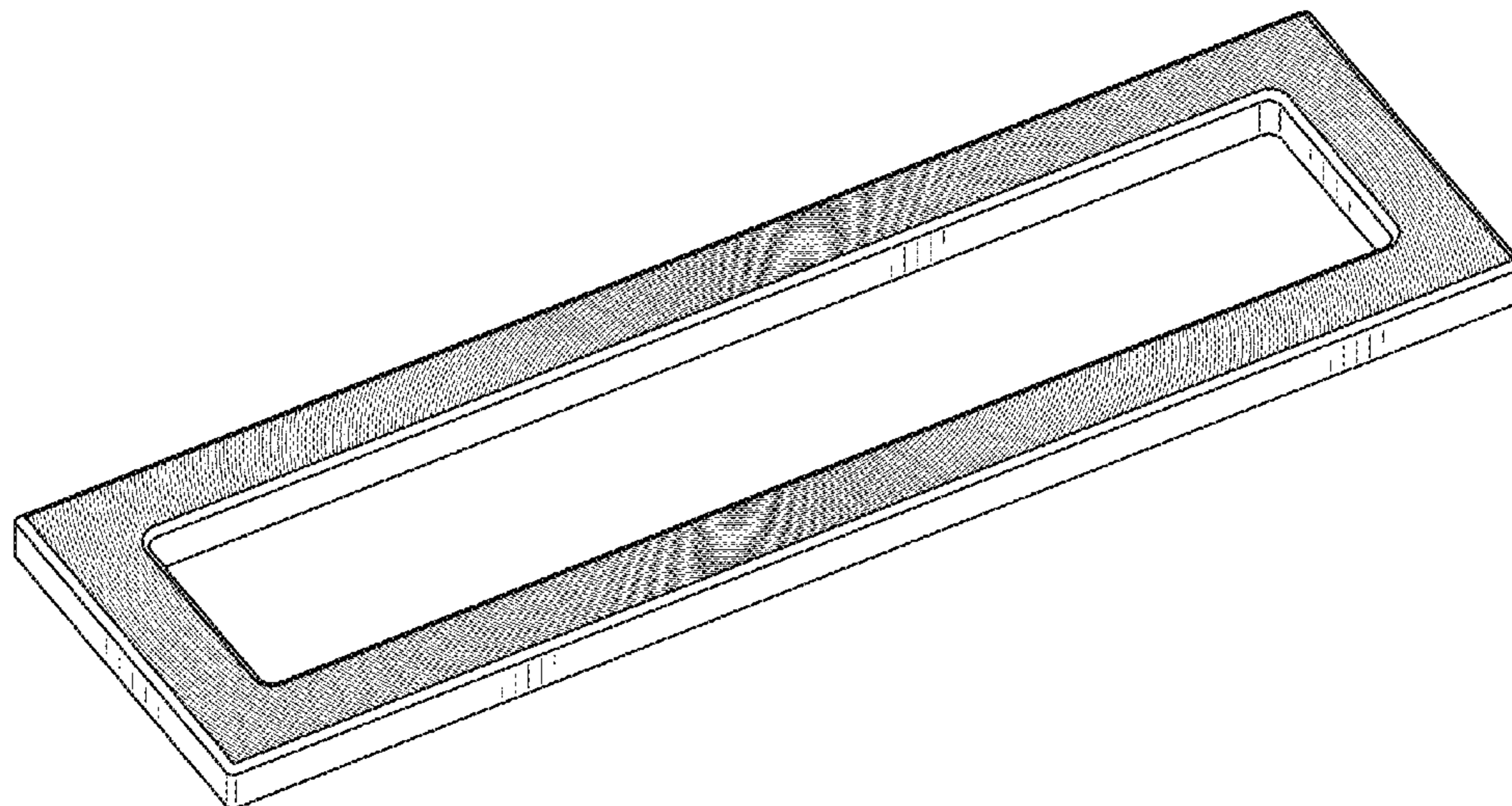
(51) **LOC (11) Cl.** ..... **14-02**

(52) **U.S. Cl.**  
USPC ..... **D14/432**

(58) **Field of Classification Search**  
USPC ..... D14/300-302, 308-313, 314, 348,  
D14/353-355, 432, 439-446, 214;  
361/679.02, 679.31, 679.5, 690, 694,  
361/679.23, 801, 802; 312/332.1, 334.1;  
D13/162; D8/356, 353, 350, 343;  
D6/702, 308, 301, 300; D19/37, 26, 113;  
446/106; 40/721, 799; 174/66  
CPC .... B65H 1/00; B65H 1/266; B65H 2402/441;  
B65H 2405/311; B65H 2405/313  
See application file for complete search history.

FIG. 1 is a perspective view of the 3-D design element for hardware with surface pattern;  
FIG. 2 is a front view of the 3-D design element for hardware with surface pattern of FIG. 1;  
FIG. 3 is a bottom side view of the 3-D design element for hardware with surface pattern of FIG. 1, with the top side being a mirror image thereof;  
FIG. 4 is a right side view of the 3-D design element for hardware with surface pattern of FIG. 1, with the left side being of identical appearance; and,  
FIG. 5 is a rear back side view of the 3-D design element for hardware with surface pattern of FIG. 1.  
The broken lines depicting the rear back side view of the 3-D design element for hardware in FIG. 5 show unclaimed matter for the design.

**1 Claim, 3 Drawing Sheets**



(56)

References Cited

U.S. PATENT DOCUMENTS

D283,382 S 4/1986 Goldsmith  
 D311,219 S 10/1990 Bergh  
 5,041,698 A 8/1991 Takagi et al.  
 D327,212 S 6/1992 Hubben et al.  
 5,153,816 A 10/1992 Griffin  
 5,400,532 A 3/1995 Grove  
 D362,433 S 9/1995 Chen  
 5,472,800 A 12/1995 Goto et al.  
 D366,764 S 2/1996 Hunt  
 5,911,521 A 6/1999 Steinmetz et al.  
 D411,797 S 7/1999 Schultz  
 6,116,981 A 9/2000 Zheng  
 D448,489 S 9/2001 Jackson et al.  
 D493,695 S 8/2004 Wengrower  
 D529,960 S 10/2006 Cox  
 D541,137 S 4/2007 Fabrizi  
 D554,399 S 11/2007 Kim  
 D559,649 S \* 1/2008 Ahn ..... D8/70  
 D560,605 S 1/2008 McClintock et al.  
 D567,858 S 4/2008 Donat  
 D573,382 S 7/2008 Brinkerhoff  
 D579,296 S \* 10/2008 Popov ..... D8/70  
 D579,762 S 11/2008 Sempliner et al.  
 D594,236 S 6/2009 Sidiropoulos  
 D601,814 S 10/2009 Lissola  
 D609,782 S 2/2010 Whatley  
 D613,510 S 4/2010 Tzeng et al.  
 D625,928 S 10/2010 Lee et al.  
 D633,308 S 3/2011 Burwell  
 D634,131 S 3/2011 Utsunomiya  
 D637,822 S 5/2011 Utsunomiya  
 D639,568 S 6/2011 Lee et al.

D641,294 S 7/2011 Edick  
 D644,914 S 9/2011 Hoffman et al.  
 D646,539 S \* 10/2011 Maras ..... D8/70  
 D651,062 S \* 12/2011 Wackwitz ..... D8/70  
 D654,703 S 2/2012 LeMay  
 8,231,099 B2 7/2012 Chen  
 D665,242 S \* 8/2012 Wackwitz ..... D15/140  
 D708,497 S \* 7/2014 Høglund ..... D8/70  
 D729,612 S 5/2015 de Peralta et al.  
 D732,917 S \* 6/2015 Valentini ..... D8/70  
 D738,177 S \* 9/2015 Finnas ..... D8/70  
 D738,178 S \* 9/2015 Eisinger ..... D8/70  
 D743,938 S 11/2015 Kim et al.  
 D744,799 S \* 12/2015 Rodenhouse ..... D8/70  
 D744,800 S \* 12/2015 Cooksey ..... D8/70  
 D747,165 S \* 1/2016 VanderWoude ..... D8/70  
 D761,208 S 7/2016 Wolff et al.  
 D767,288 S 9/2016 McMahan  
 D789,759 S \* 6/2017 Fellmann ..... D8/70  
 2009/0165351 A1 7/2009 Hsu  
 2011/0026749 A1 2/2011 Yaun  
 2012/0287564 A1 11/2012 Lochet et al.

OTHER PUBLICATIONS

U.S. Trademark Application Serial No. 86/533,633, filed on Feb. 12, 2015; Applicant: Hewlett Packard Enterprise Development LP Enterprise DC Holdings LLC.  
 Hewlett Packard Enterprise Development LP, Accelerating Next video, HPE roadshow, Sydney, Australia, Aug. 20, 2015—Submitted Via CD-ROM along with Remarks.  
 Jacqueline Bracha Israel Registrar of Patents Sunday, May 7, 2017 Decision for Application for Design Application No. 57516.

\* cited by examiner

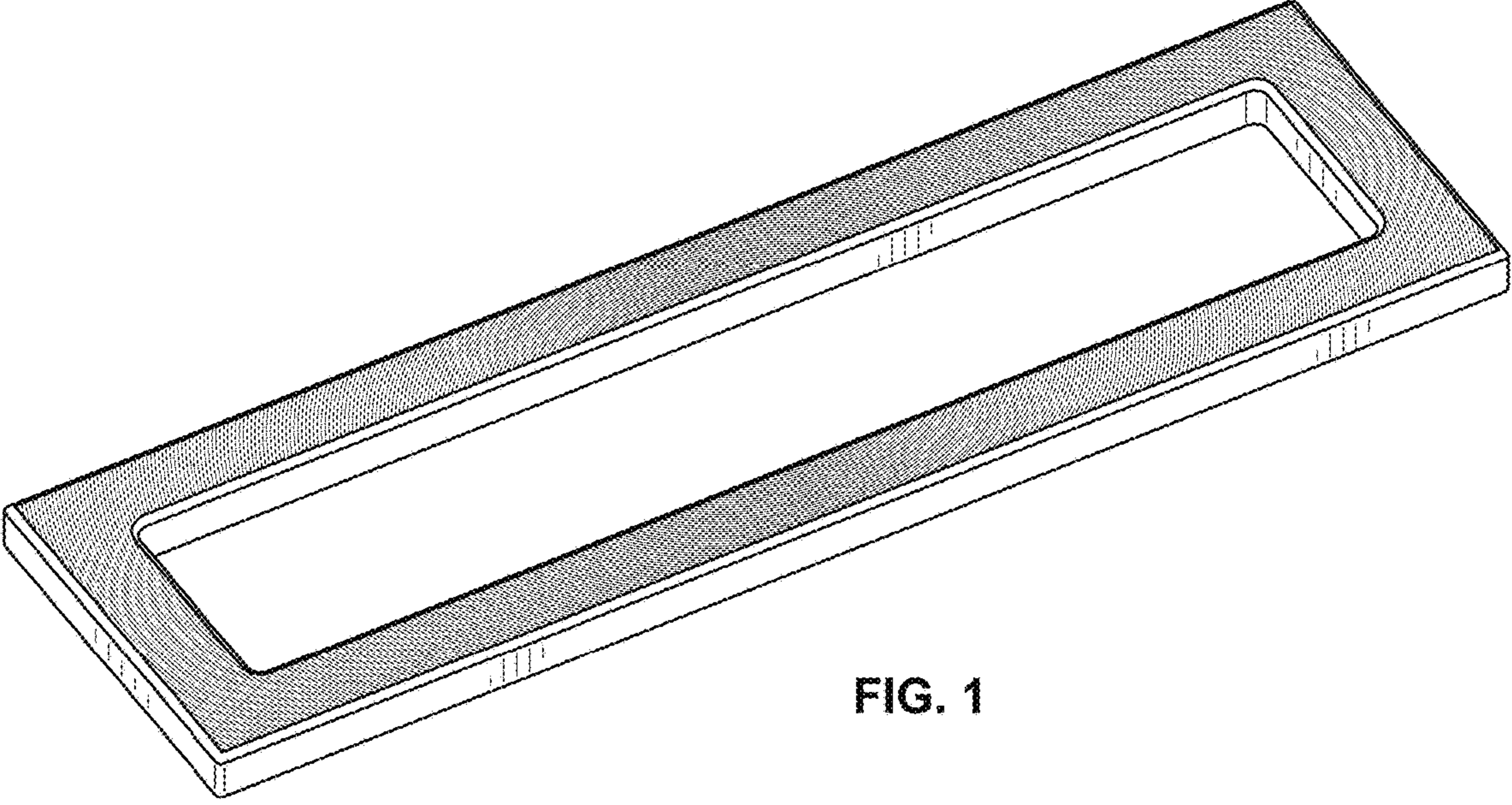


FIG. 1

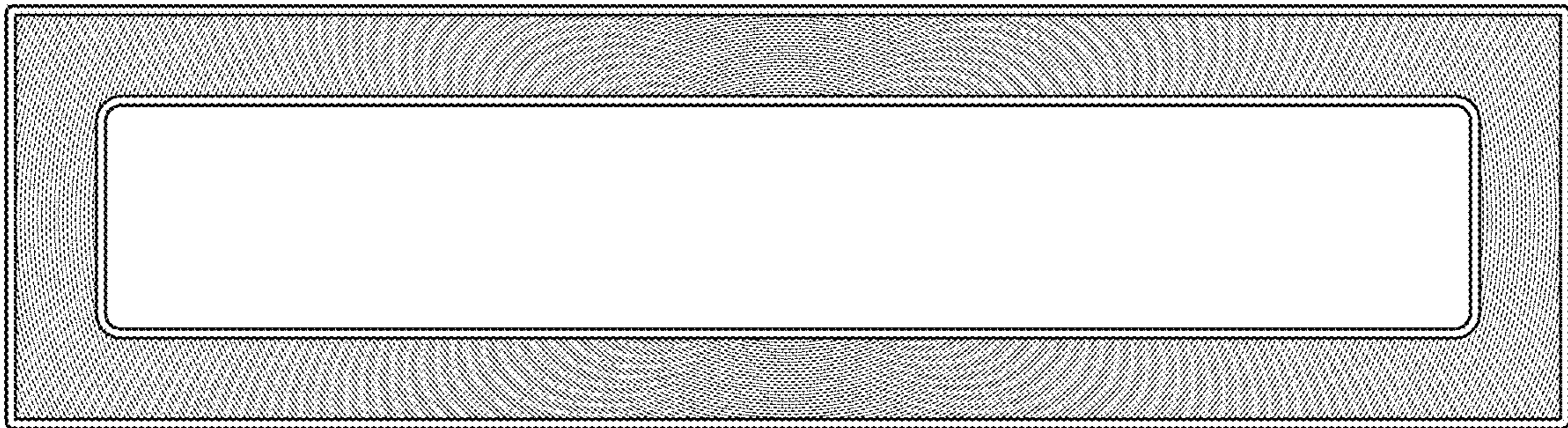


FIG. 2



FIG. 3

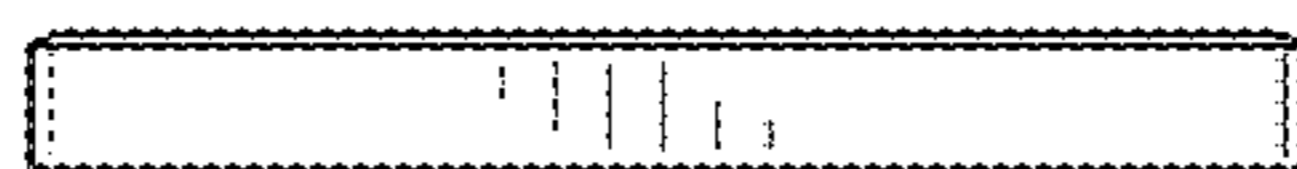


FIG. 4

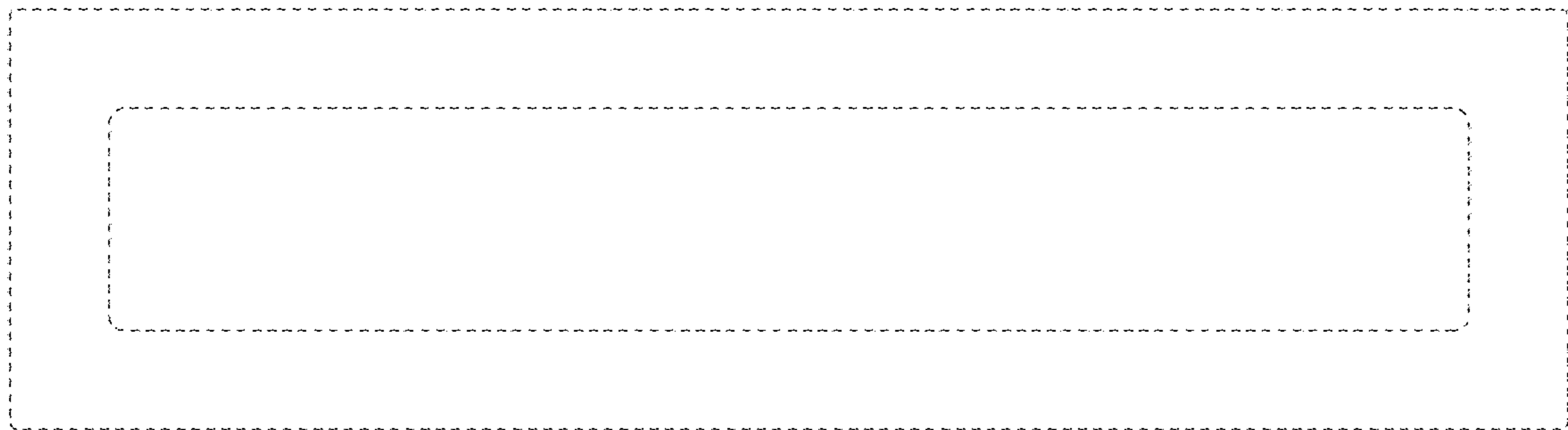


FIG. 5