



US00D840401S

(12) **United States Design Patent** (10) **Patent No.:** **US D840,401 S**
Lim et al. (45) **Date of Patent:** **** Feb. 12, 2019**

(54) **RADIO FREQUENCY IDENTIFICATION (RFID) READER**

(71) Applicant: **HANMI IT CO., LTD.**, Seoul (KR)

(72) Inventors: **Jong Hoon Lim**, Seoul (KR); **Yoon Su Ham**, Bucheon-si (KR); **Sung Ki Lim**, Namyangju-si (KR)

(73) Assignee: **HANMI IT CO., LTD.**, Seoul (KR)

(**) Term: **15 Years**

(21) Appl. No.: **29/587,226**

(22) Filed: **Dec. 12, 2016**

(30) **Foreign Application Priority Data**

Jun. 13, 2016 (KR) 30-2016-0028318

(51) **LOC (11) Cl.** **14-02**

(52) **U.S. Cl.**
USPC **D14/428**

(58) **Field of Classification Search**
USPC D14/420, 426-430, 453, 346, 341, 347, D14/412, 138, 230, 385; D13/107, 184; 358/473; 235/462.43, 462.45, 462.47, 235/462.48, 462.44, 462.46, 487, 472.01, 235/472.02, 145 A, 145 R, 385, 440, 383, 235/454, 462.01, 435; D10/78; 324/426; D3/273; 710/73; D18/7; 361/679, 728, 361/679.56, 679.55, 679.59; 382/313, 382/321; 455/575.1, 561, 572, 557, 349, 455/556.1, 556.2, 90.3; 345/156, 168, 345/169, 172, 173, 87; 705/17, 18, 705/22-25

CPC G06F 1/626; G06F 1/1626; G06F 1/1656; G06F 1/1632; G06F 1/1684; G06F 1/1635; G06F 8/63; G06F 17/30091; G06F 9/4401; G06K 7/10881; G06K 7/1098; G06K 7/10722; G06K 7/1404; G06K 7/0004; G06K 7/10633; G06K 7/10851; G06K 7/1091; G06K 7/1092;

G06K 7/1093; G06K 7/10; G06K 7/109; G06K 7/1417; G06K 9/228; G06K 17/0022; G06K 17/00; G06K 2207/1011; G06K 2207/1013; G06K 2207/1016; G06K 2207/1018; G06K 2017/0051; G06K 2017/0067; G06K

(Continued)

(56) **References Cited**

U.S. PATENT DOCUMENTS

D256,469 S * 8/1980 Stemme D16/206
5,200,599 A * 4/1993 Krichever G06K 7/10643
235/462.38

(Continued)

Primary Examiner — Susan Moon Lee

(74) *Attorney, Agent, or Firm* — KORUS Patent, LLC; Seong Il Jeong

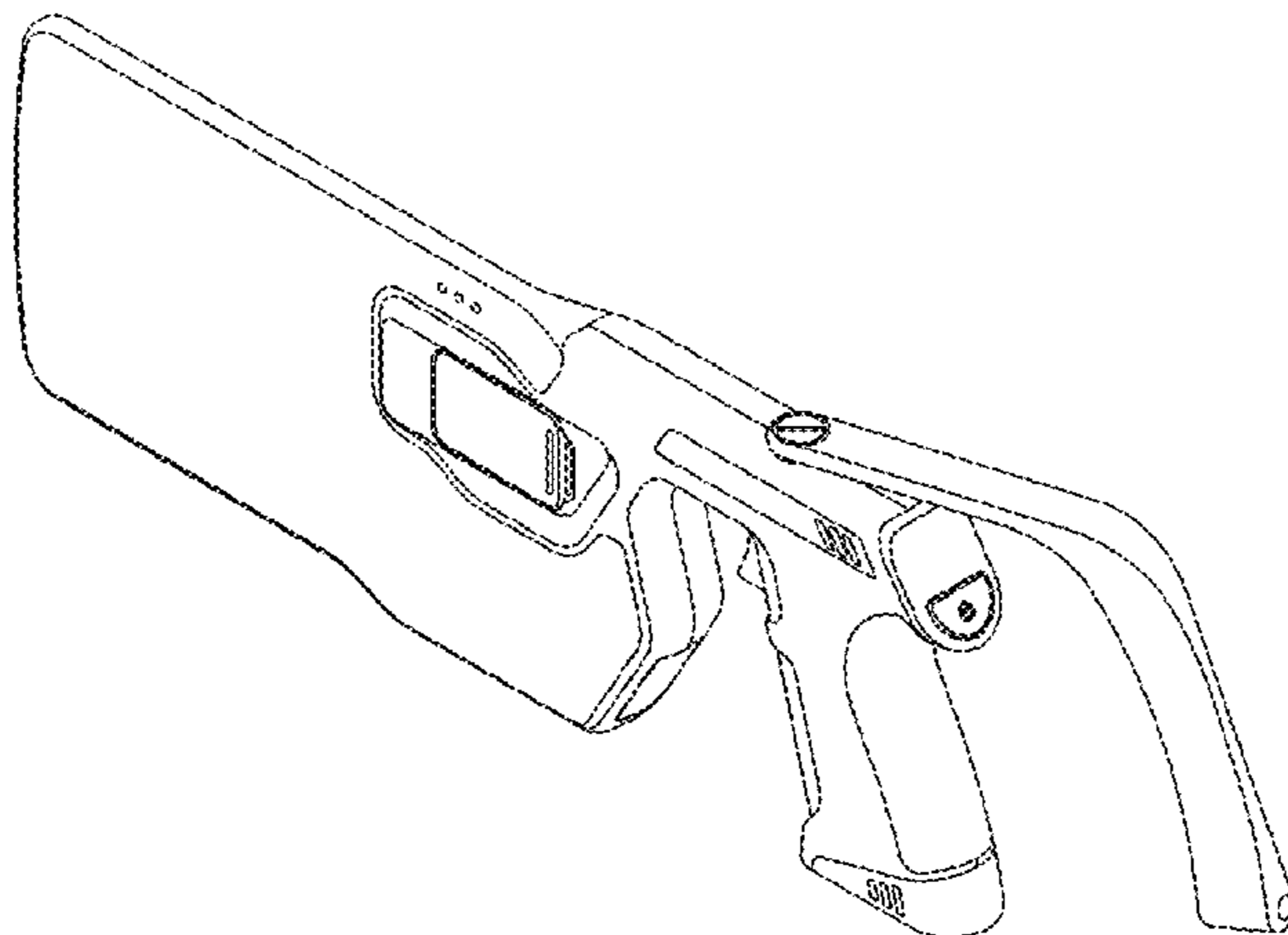
(57) **CLAIM**

The ornamental design for a radio frequency identification (RFID) reader, as shown and described.

DESCRIPTION

FIG. 1 is a perspective view of a radio frequency identification (RFID) reader showing our new design; FIG. 2 is a front elevation view thereof; FIG. 3 is a rear elevation view thereof; FIG. 4 is a left side view thereof; FIG. 5 is a right side view thereof; FIG. 6 is a top plan view thereof; FIG. 7 is a bottom plan view thereof; FIG. 8 is another perspective view of the radio frequency identification (RFID) reader showing a state in which the rotatably mounted barcode reader component has been rotated; and, FIG. 9 is another perspective view of the radio frequency identification (RFID) reader, showing a state in which a grip portion of the reader has been rotated.

1 Claim, 6 Drawing Sheets



(58) Field of Classification Search

CPC 2007/10524; G06K 19/0722; G06K 19/07758; G06K 19/0723; G06K 7/1095; G06K 7/089; G06K 7/10821; G06K 7/10386; G06K 7/10356; G06K 7/10316; G06K 7/10346; G06K 7/10366; G06K 7/10237; G07G 1/0081; G07G 1/009; G06Q 20/20; G06Q 20/201; G06Q 20/202; G06Q 20/203; G06Q 20/30; G06Q 20/32; G06Q 20/322; G06Q 20/4014; G06Q 10/087; G06Q 10/0875; G06Q 30/0635; G06Q 30/0639; H04N 1/00127; H04N 1/00135; H04N 1/00326; H04N 1/00334; H04N 1/00307; H04N 1/107; H04N 2201/0084; H04N 2101/00; H04M 1/0249; H04M 1/0262; H04M 1/0266; H04M 1/18; H04M 1/23; H04M 1/236; H04B 1/3827; H04B 1/3833; H04B 1/3877; H04B 1/3883; H04B 1/3888; H04B 2001/3894; H01M 2/1066; H01Q 1/2225; G01C 15/00

See application file for complete search history.

(56)

References Cited

U.S. PATENT DOCUMENTS

6,232,870	B1 *	5/2001	Garber	G06K 7/0008 235/385
6,277,067	B1 *	8/2001	Blair	A61B 1/00041 348/77
D470,847	S *	2/2003	Carlson	D14/428
D504,407	S *	4/2005	Cohen	D13/144
D723,564	S *	3/2015	Lim	D14/428
9,239,590	B2 *	1/2016	Vargas	G06F 1/1632
2001/0008390	A1 *	7/2001	Berquist	G06K 7/10079 340/10.31
2004/0056760	A1 *	3/2004	Fukuoka	G06K 7/10881 340/10.3
2008/0163504	A1 *	7/2008	Smith	G01C 17/30 33/268
2009/0090864	A1 *	4/2009	Glatzmaier	G01J 5/04 250/330
2015/0255873	A1 *	9/2015	Chan	H01Q 9/285 343/806
2016/0078257	A1 *	3/2016	Liou	G06K 7/10792 340/10.3
2017/0004336	A1 *	1/2017	Lim	G06K 7/10009

* cited by examiner

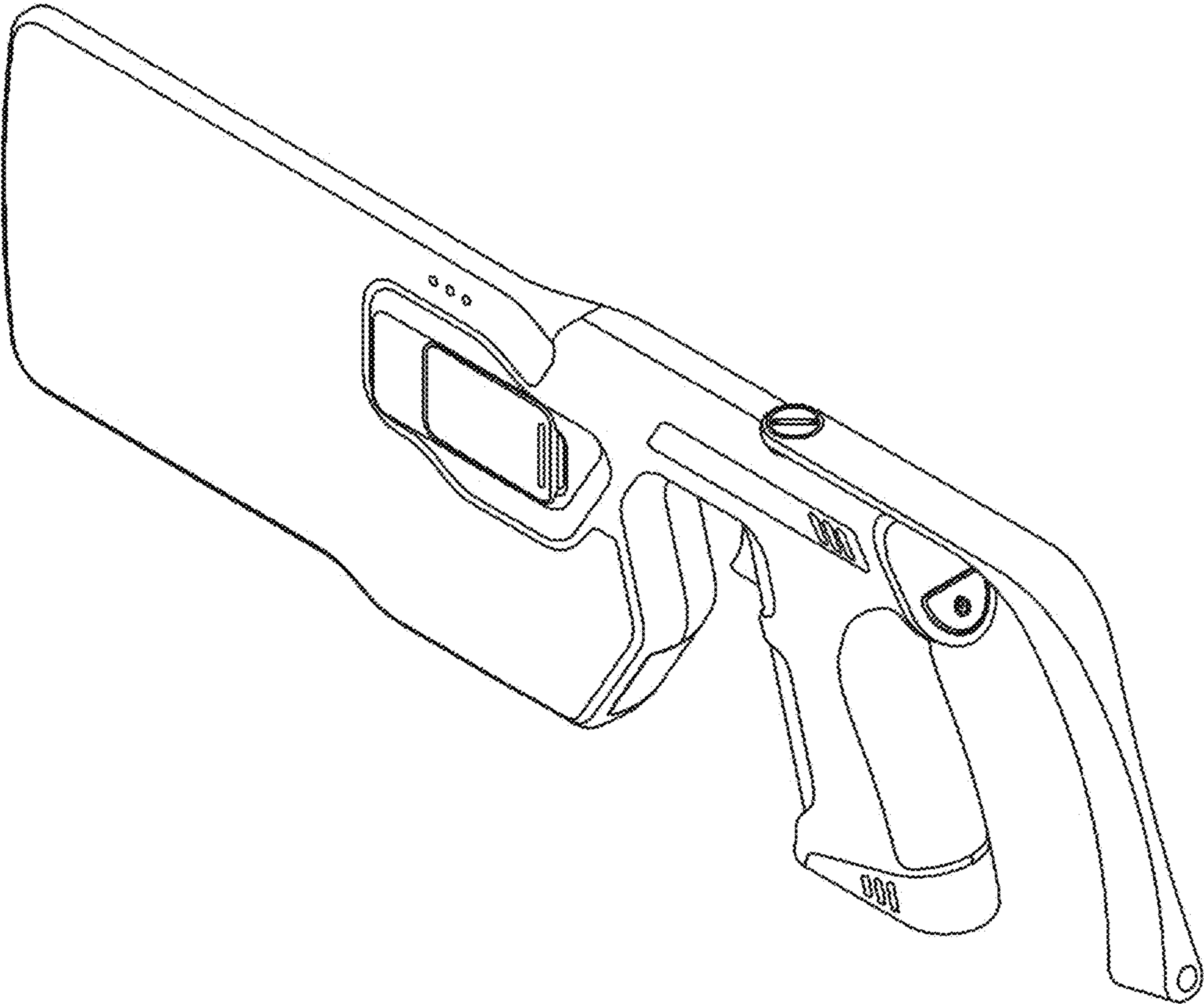


FIG. 1

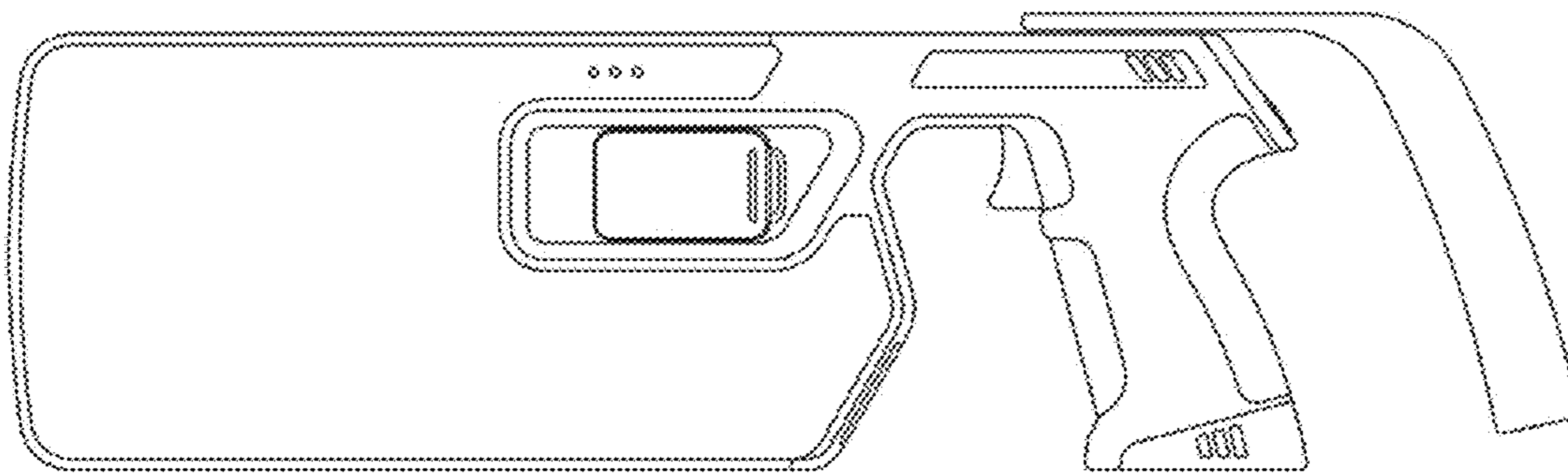


FIG. 2

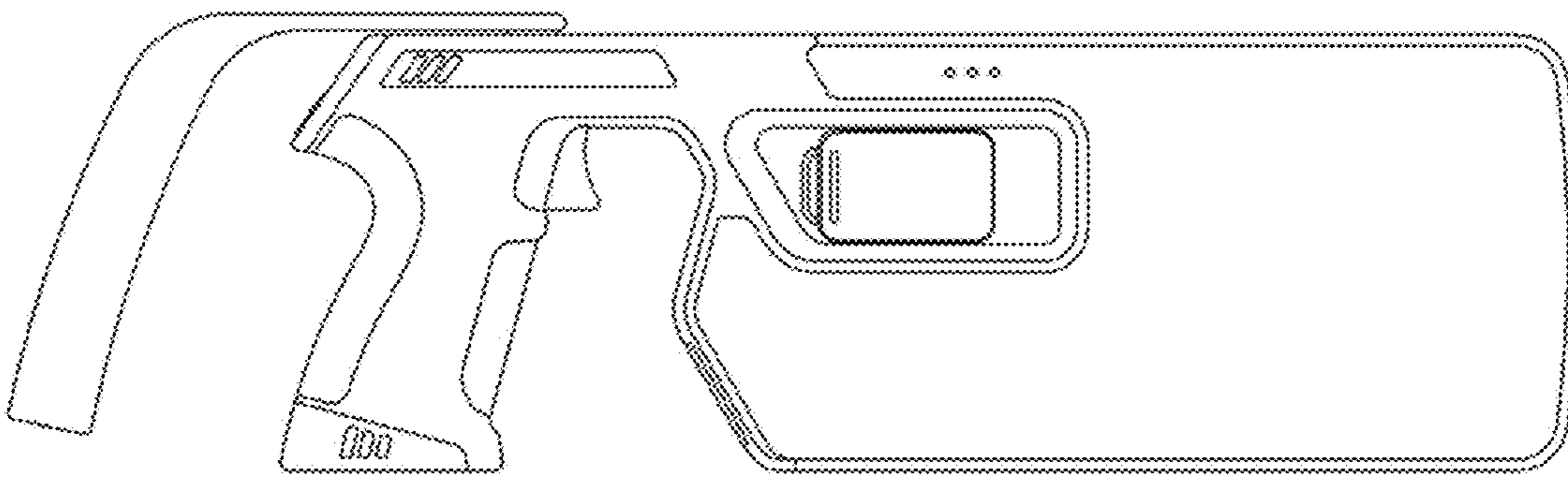


FIG. 3

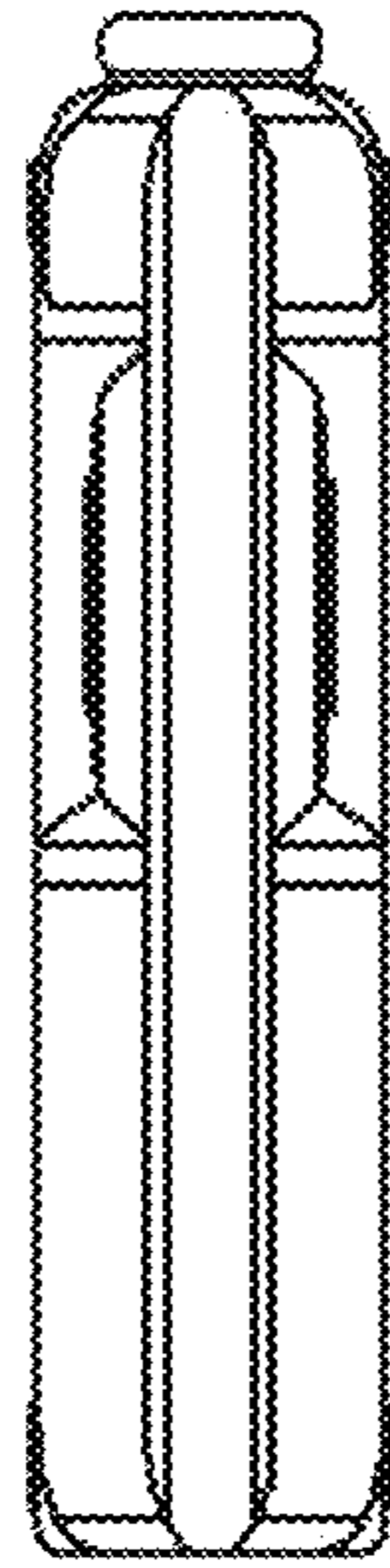


FIG. 4

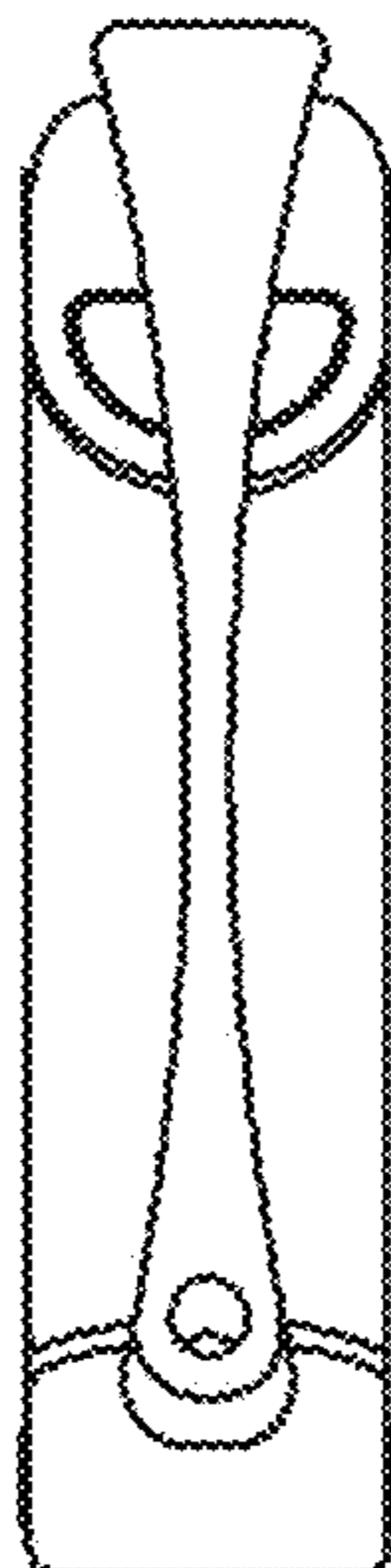


FIG. 5

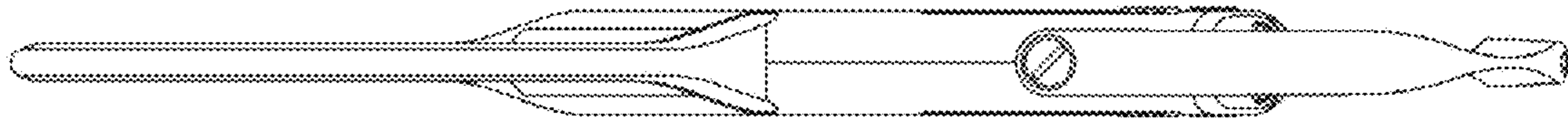


FIG. 6

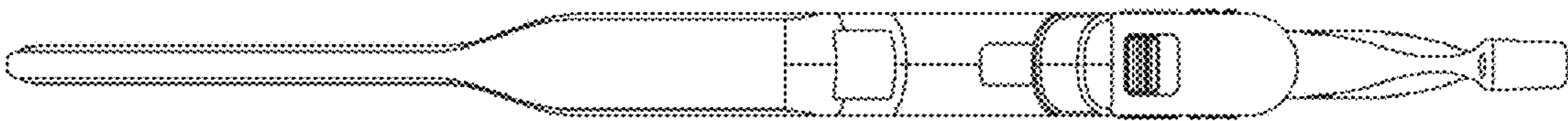


FIG. 7

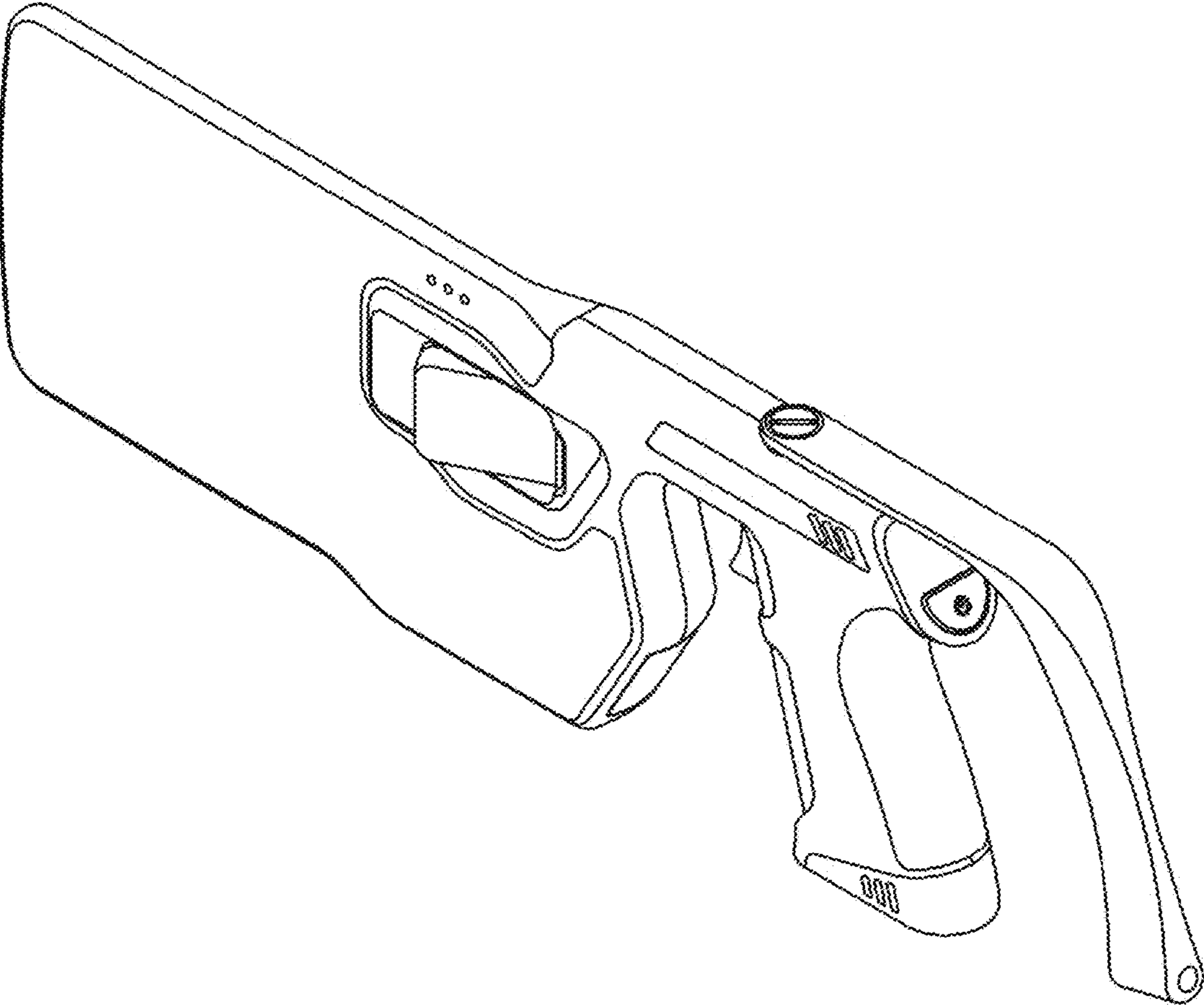


FIG. 8

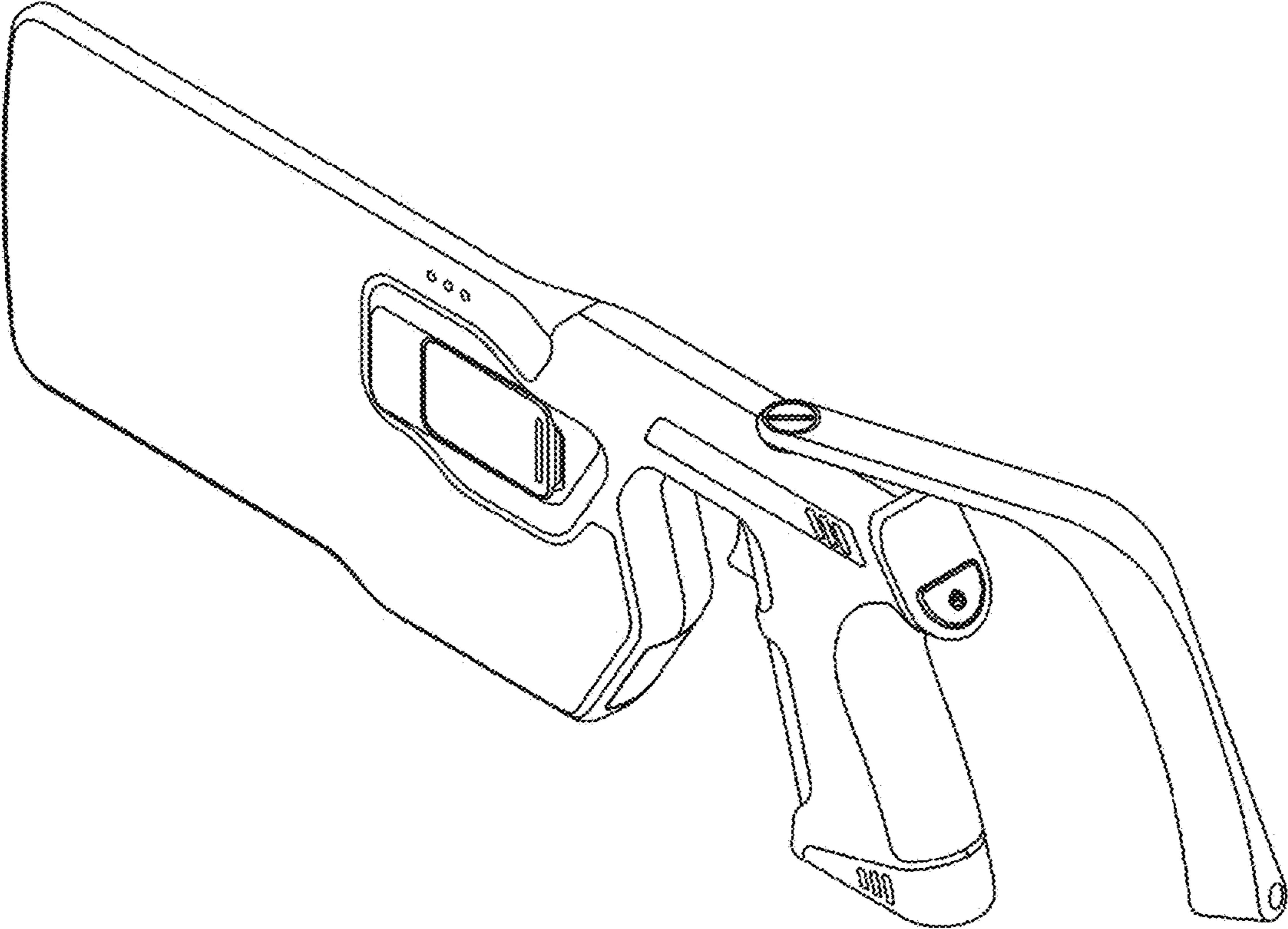


FIG. 9