



US00D840399S

(12) **United States Design Patent**
Miller et al.

(10) **Patent No.: US D840,399 S**

(45) **Date of Patent: ** Feb. 12, 2019**

(54) **HEAD-MOUNTED DISPLAY**

(71) Applicant: **Oculus VR, LLC**, Menlo Park, CA (US)

(72) Inventors: **Robin Michael Miller**, Redmond, WA (US); **Joseph Patrick Sullivan**, Seattle, WA (US); **Adam Hewko**, Kirkland, WA (US)

(73) Assignee: **Facebook Technologies, LLC**, Menlo Park, CA (US)

(**) Term: **15 Years**

(21) Appl. No.: **29/643,808**

(22) Filed: **Apr. 11, 2018**

Related U.S. Application Data

(63) Continuation of application No. 29/612,368, filed on Jul. 31, 2017, now Pat. No. Des. 819,635.

(51) **LOC (11) Cl.** **14-02**

(52) **U.S. Cl.**
USPC **D14/372**

(58) **Field of Classification Search**
USPC D14/372, 496, 432, 371, 125, 126, 129, D14/299; D16/300-342; 351/158, 153, 351/144; 345/7-9, 905; 455/344; 348/115, 53, 121, 739
CPC G02B 27/017; G02B 27/0158; G02B 27/0161; G02B 27/0181; G02B 27/0185; G02B 27/0189

See application file for complete search history.

(56) **References Cited**

U.S. PATENT DOCUMENTS

D798,862 S *	10/2017	Wang	D14/372
D807,356 S *	1/2018	Chou	D14/372
D807,357 S *	1/2018	Wu	D14/372
D810,081 S *	2/2018	Lin	D14/372
D810,743 S *	2/2018	Yee	D14/372
D812,612 S *	3/2018	Gribetz	D14/372
D815,637 S *	4/2018	Li	D14/372
D816,670 S *	5/2018	Hsu	D14/372
D819,635 S *	6/2018	Miller	D14/372
D820,259 S *	6/2018	Lee	D14/372
D823,855 S *	7/2018	Robertson	D14/372
D825,560 S *	8/2018	Gribetz	D14/372
D825,561 S *	8/2018	Gribetz	D14/372

* cited by examiner

Primary Examiner — Austin Murphy

(74) *Attorney, Agent, or Firm* — FisherBroyles, LLP

(57) **CLAIM**

The ornamental design for a head-mounted display, as shown and described.

DESCRIPTION

FIG. 1 is a top and right perspective view of a head-mounted display.

FIG. 2 is a front view thereof.

FIG. 3 is a rear view thereof.

FIG. 4 is a left view thereof.

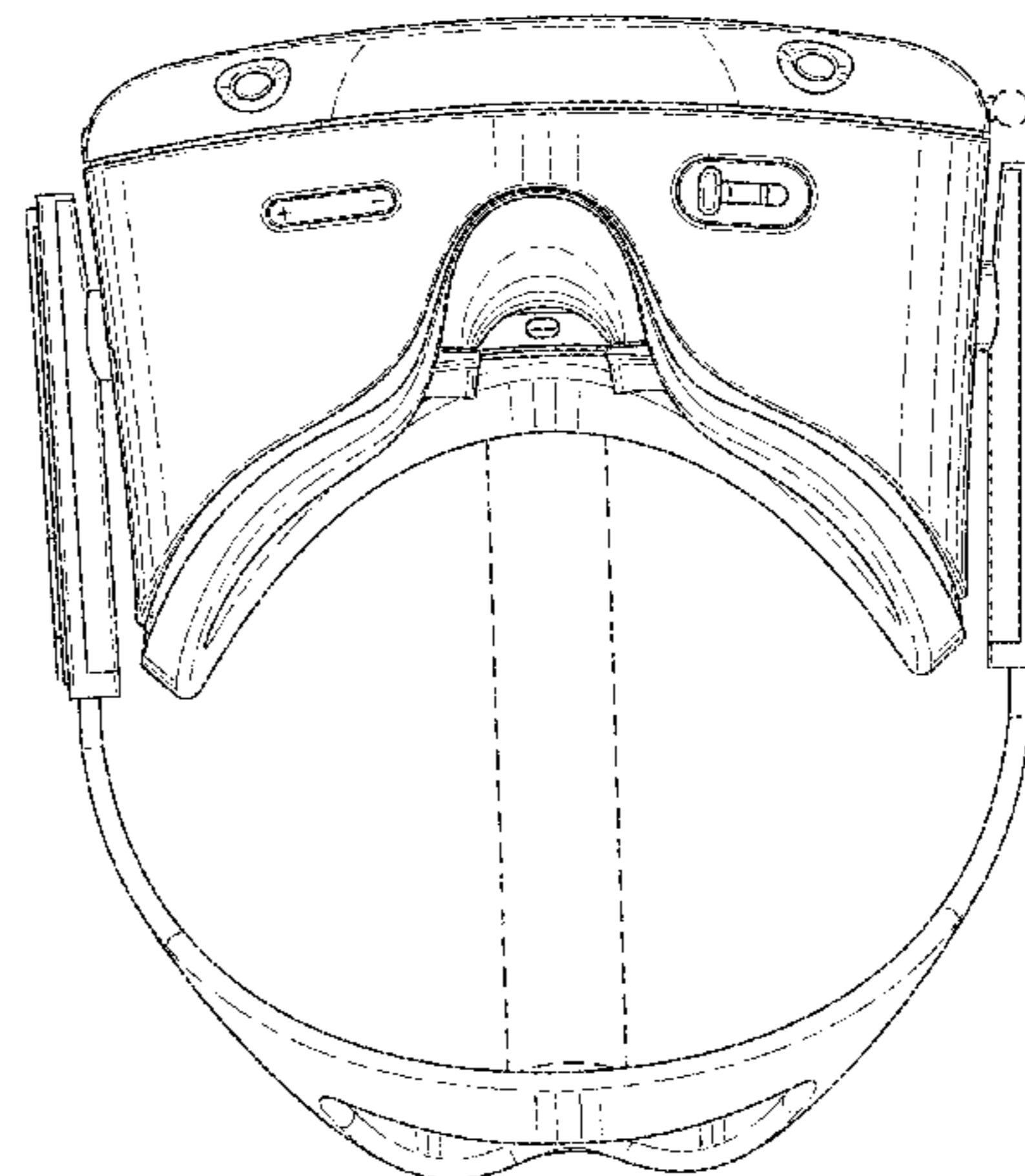
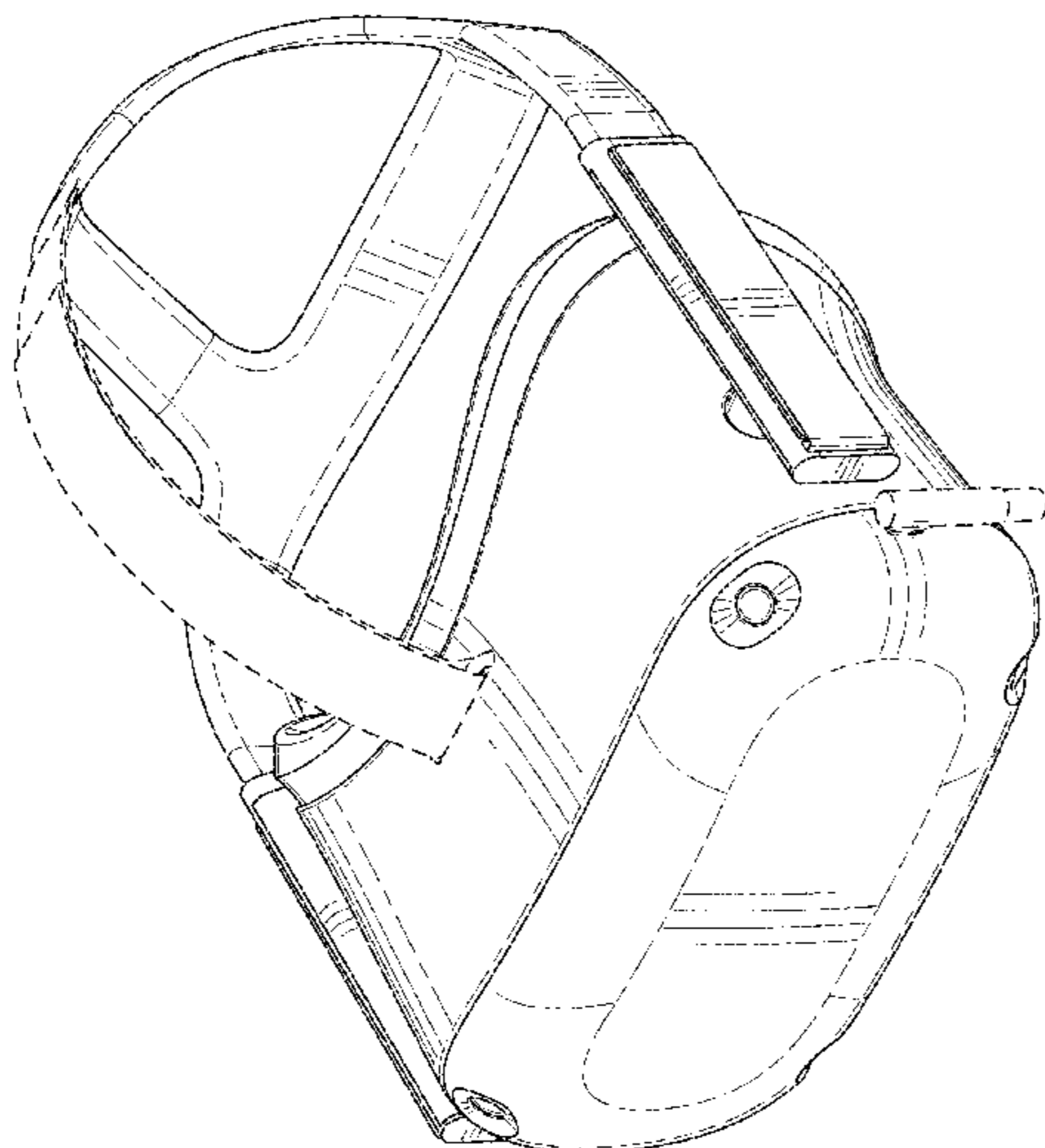
FIG. 5 is a right view thereof.

FIG. 6 is a top view thereof; and,

FIG. 7 is a bottom view thereof.

The broken lines shown in these figures are for illustrative purposes only and form no part of the claimed design.

1 Claim, 7 Drawing Sheets



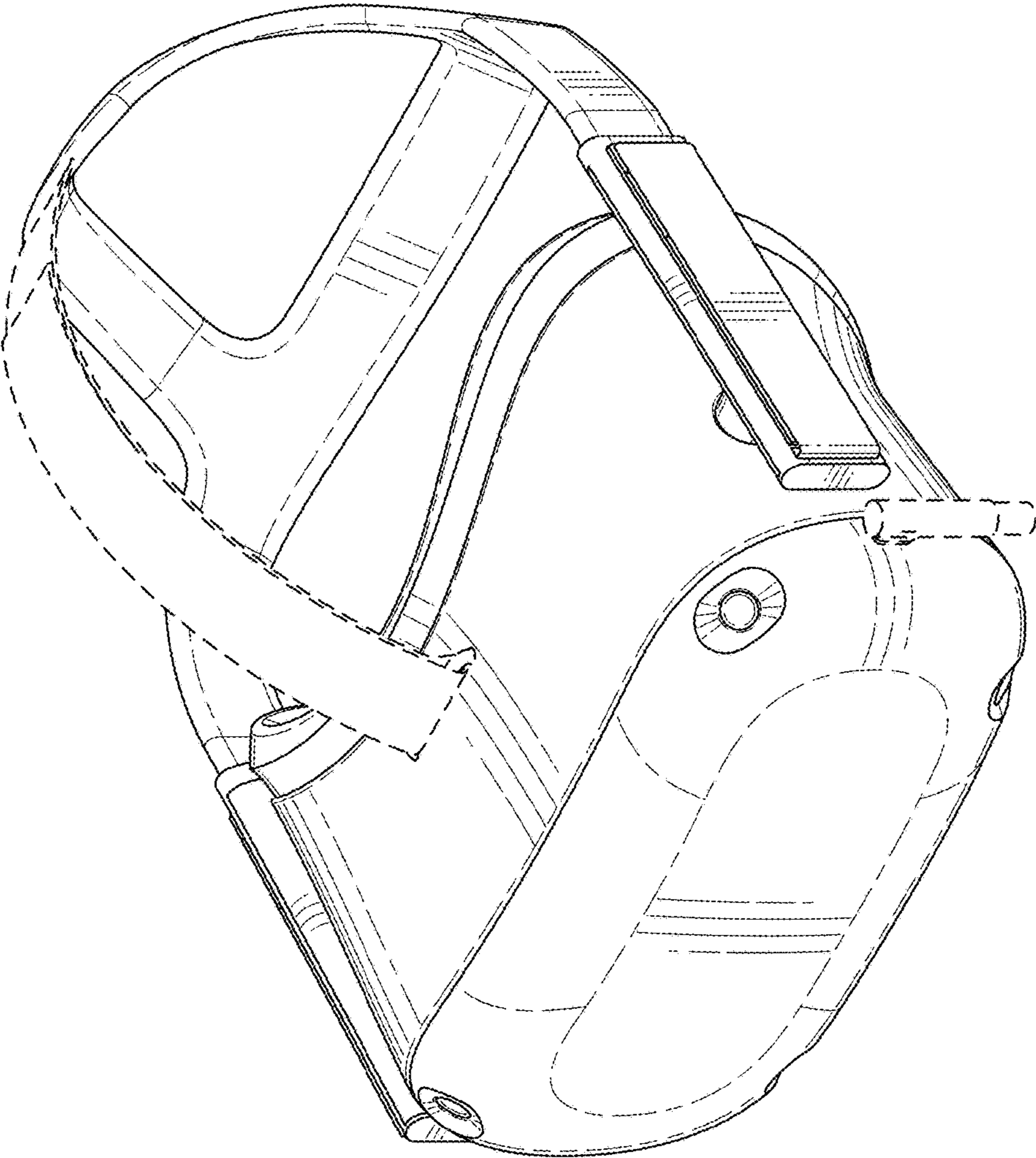


FIG. 1

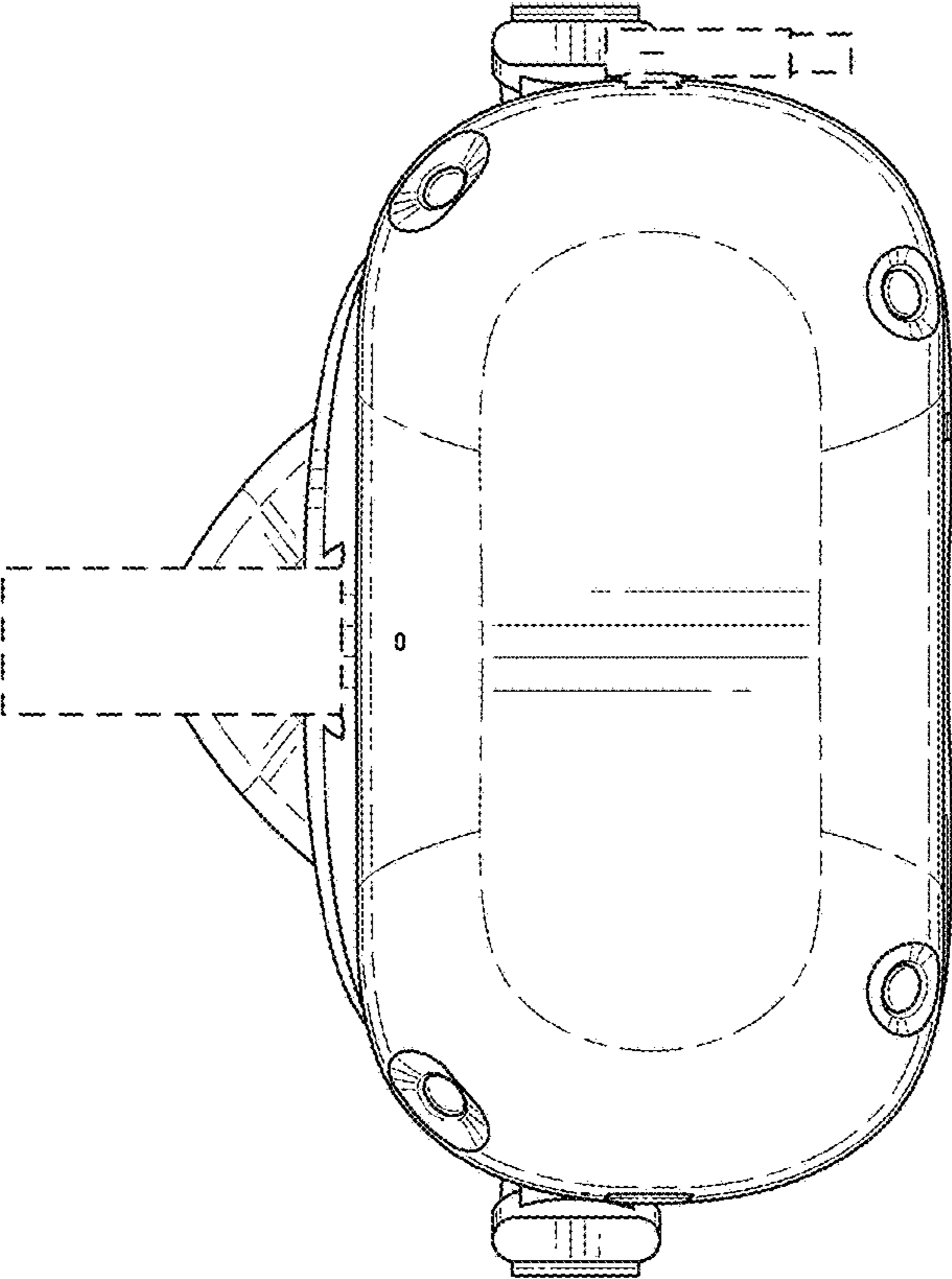


FIG. 2

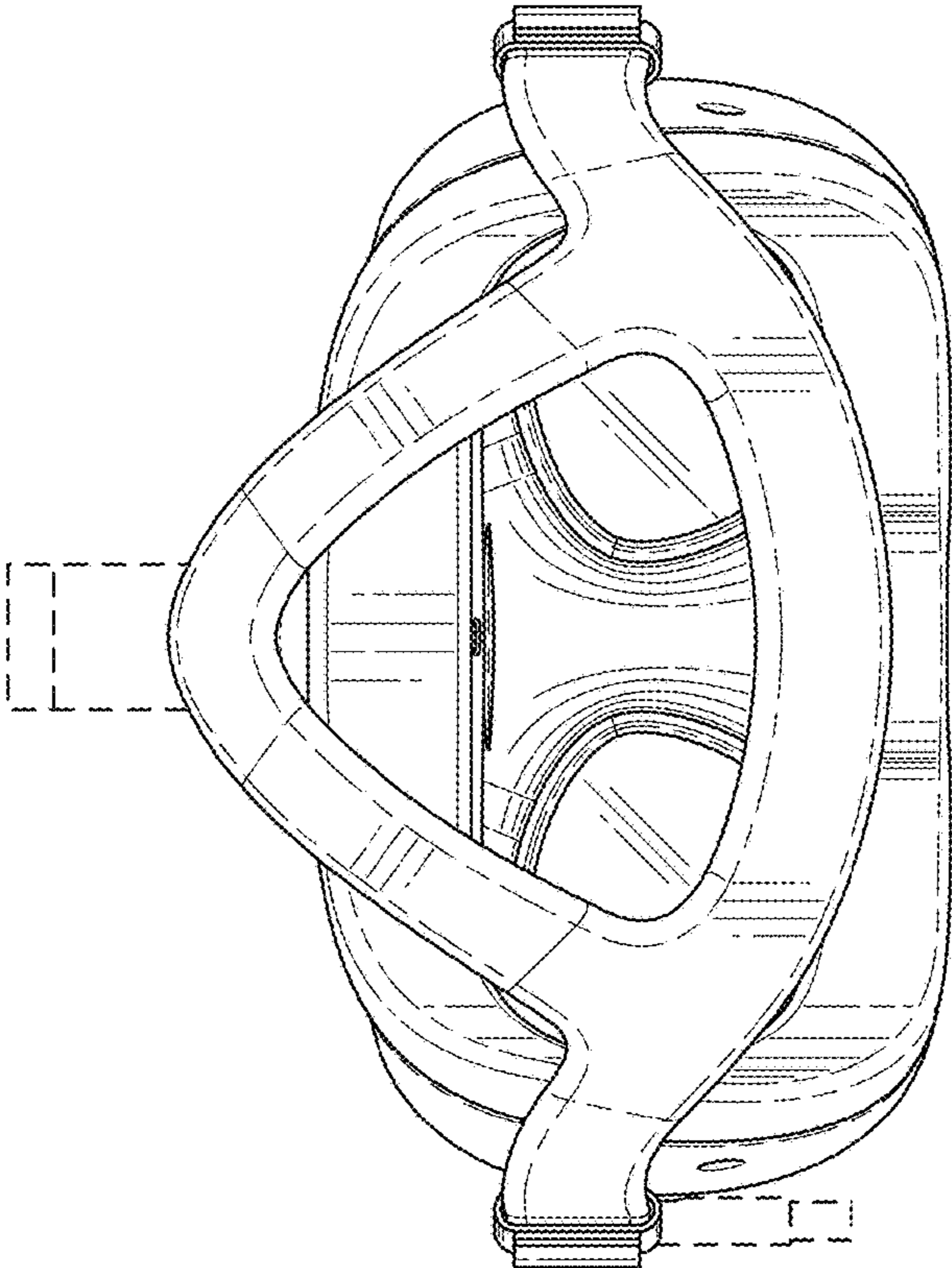


FIG. 3

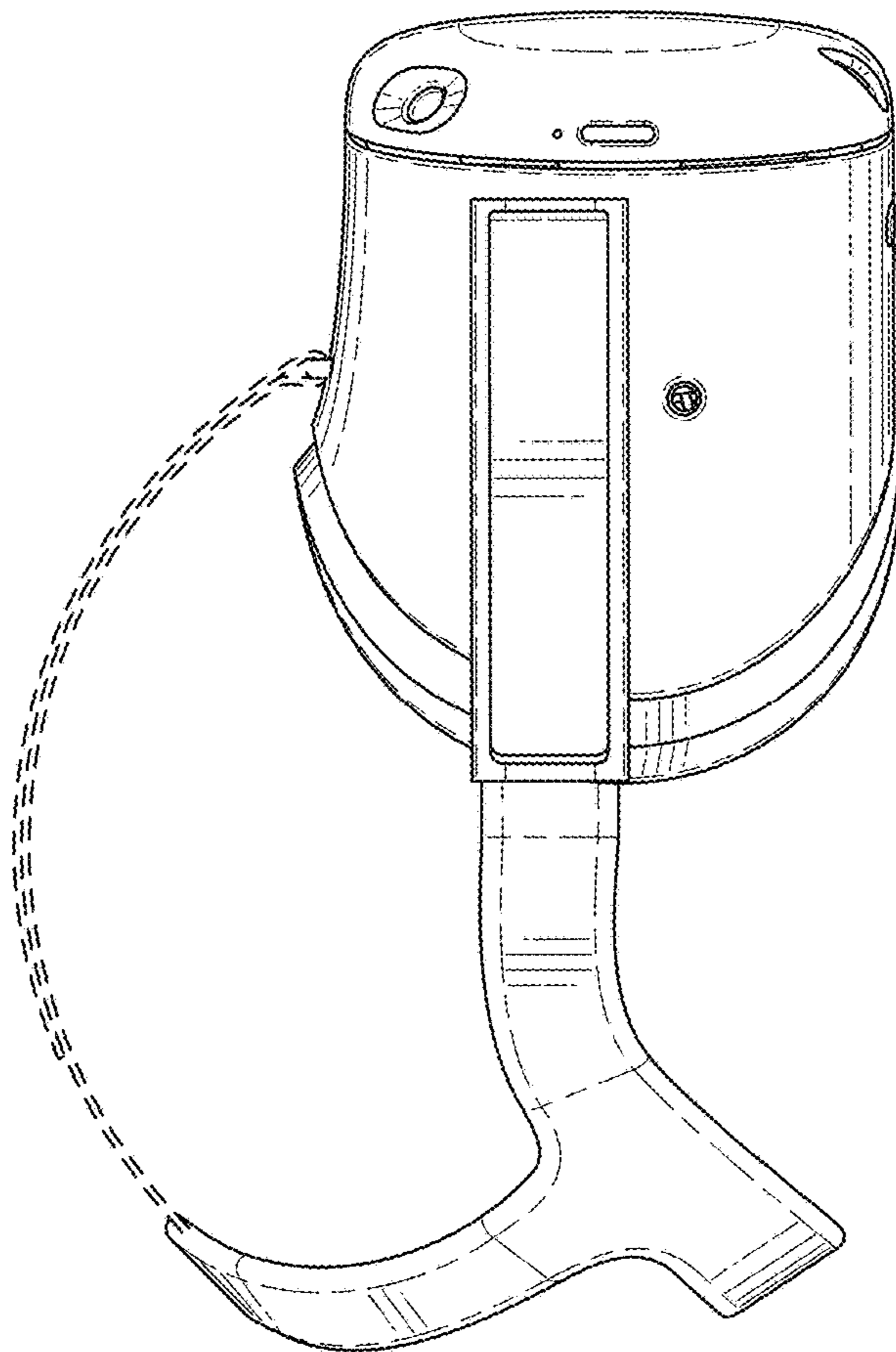


FIG. 4

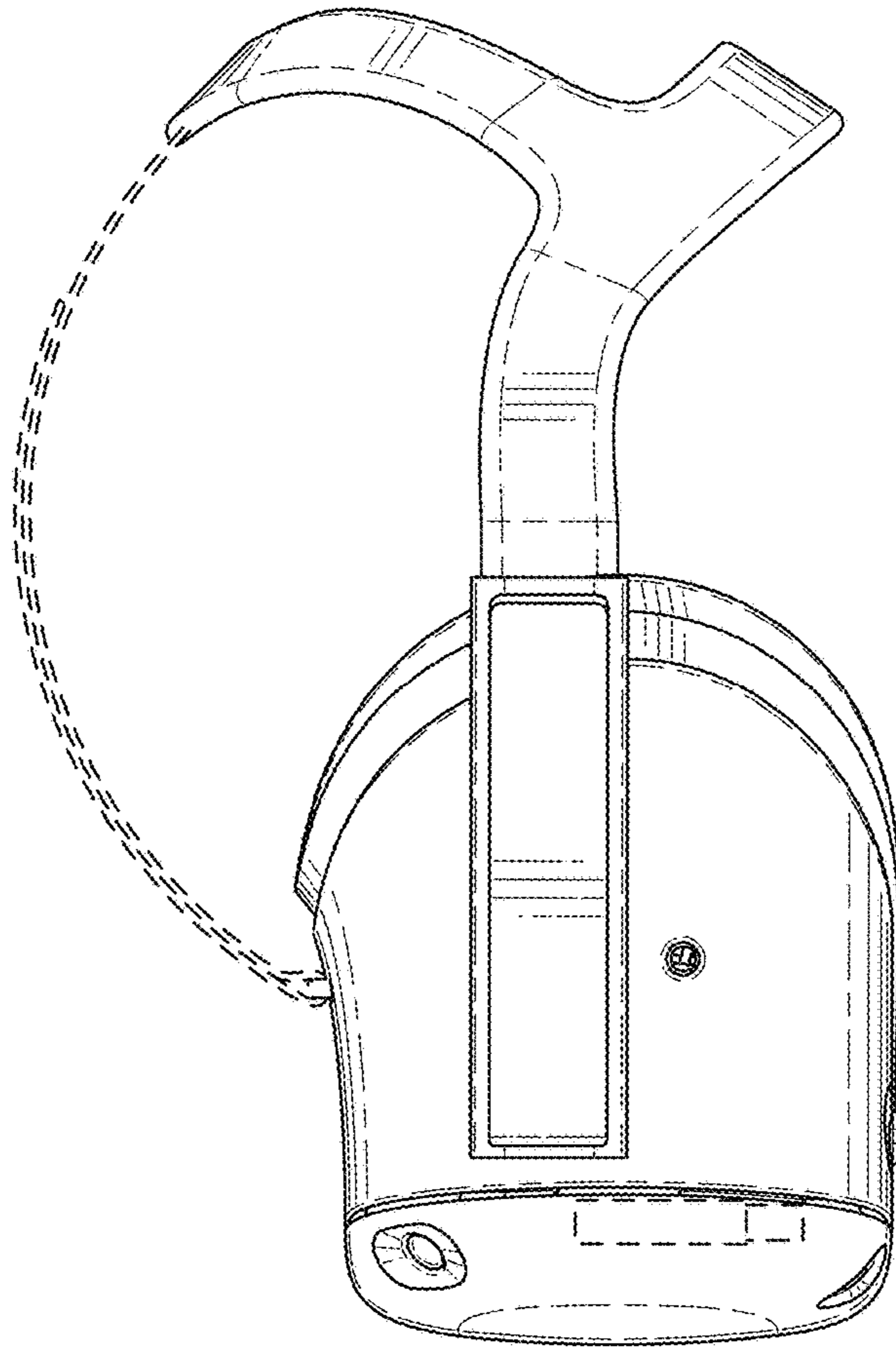


FIG. 5

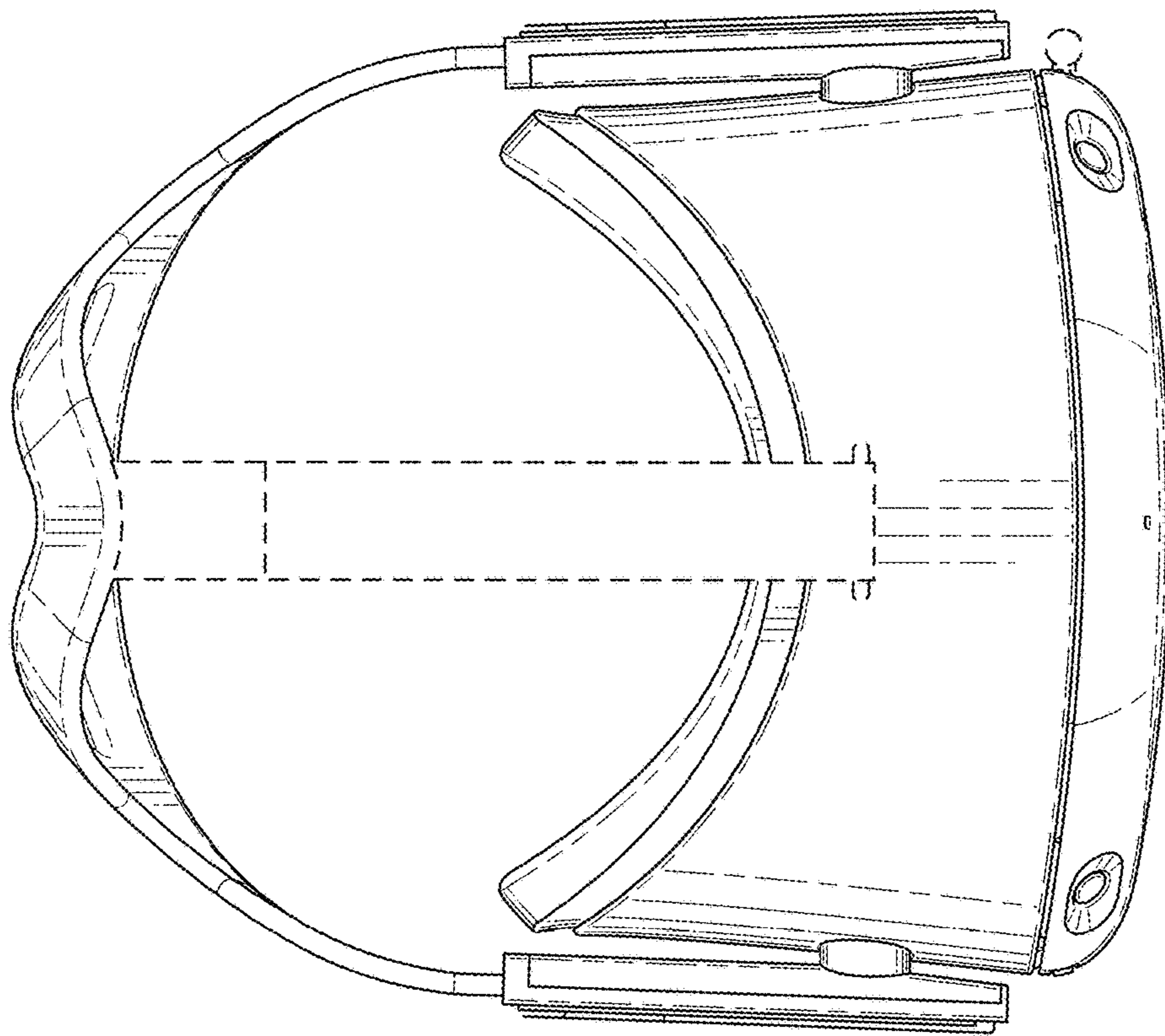


FIG. 6

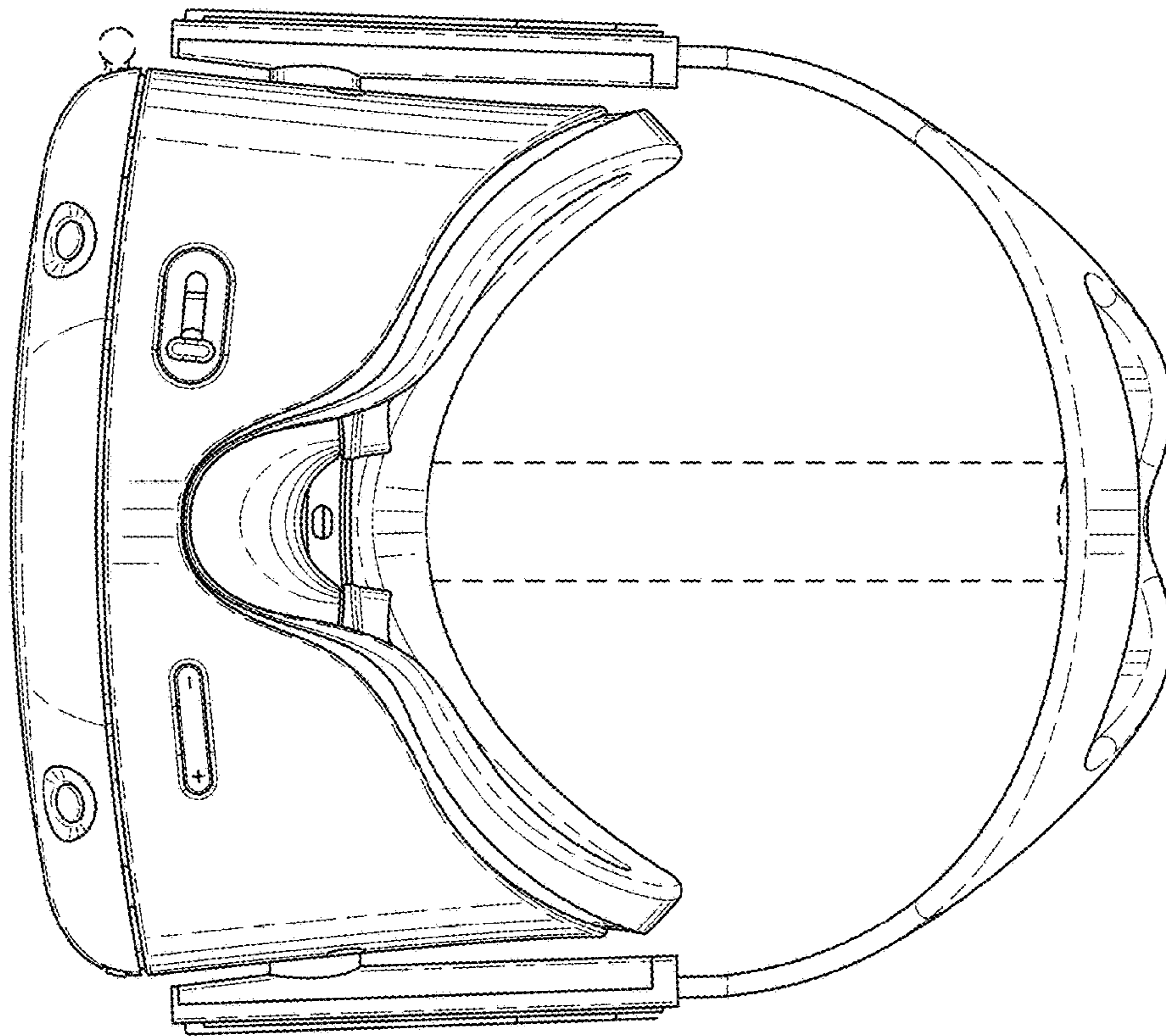


FIG. 7