

US00D840397S

(12) **United States Design Patent** (10) **Patent No.:** **US D840,397 S**
Li et al. (45) **Date of Patent:** **** Feb. 12, 2019**

(54) **MAIN BODY PORTION OF HEADWEAR
 VIRTUAL REALITY DEVICE**

- (71) Applicant: **ARIADNE’S THREAD HOLDING
 (BEIJING) CO., LTD.**, Beijing (CN)
- (72) Inventors: **Kai Li**, Beijing (CN); **Yunlong Zhang**,
 Beijing (CN); **Dengfeng Shi**, Beijing
 (CN); **Xu Jia**, Beijing (CN); **Jun Liu**,
 Beijing (CN)
- (73) Assignee: **ARIADNE’S THREAD HOLDING
 (BEIJING) CO., LTD.**, Beijing (CN)
- (**) Term: **15 Years**
- (21) Appl. No.: **29/631,178**
- (22) Filed: **Dec. 28, 2017**
- (51) **LOC (11) Cl.** **14-02**
- (52) **U.S. Cl.**
 USPC **D14/372**
- (58) **Field of Classification Search**
 USPC D14/372, 496, 432, 371, 125, 126, 129,
 D14/299; D16/300–342; 351/158, 153,
 351/144; 345/7–9, 905; 455/344;
 348/115, 53, 121, 739
 CPC G02B 27/017; G02B 27/0158; G02B
 27/0161; G02B 27/0181; G02B 27/0185;
 G02B 27/0189
- See application file for complete search history.

(56) **References Cited**

U.S. PATENT DOCUMENTS

D698,380	S	*	1/2014	Fletcher	D16/202
D760,225	S	*	6/2016	Passmore	D14/372
9,360,682	B1	*	6/2016	Edwards	G02C 11/10
D761,257	S	*	7/2016	Passmore	D14/372
D792,399	S	*	7/2017	Thomas	D14/372
D792,401	S	*	7/2017	Tang	D14/372
D800,726	S	*	10/2017	Su	D14/372
D801,969	S	*	11/2017	Yee	D14/372
D805,515	S	*	12/2017	Bowes	D14/372

* cited by examiner

Primary Examiner — Austin Murphy

(74) *Attorney, Agent, or Firm* — Scully Scott Murphy & Presser

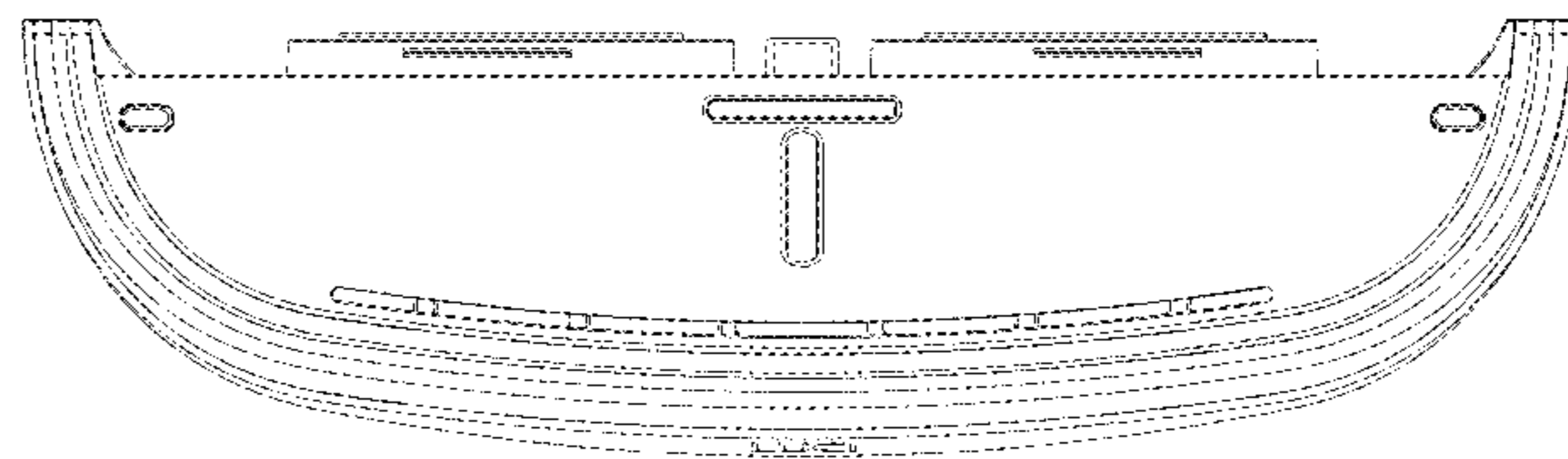
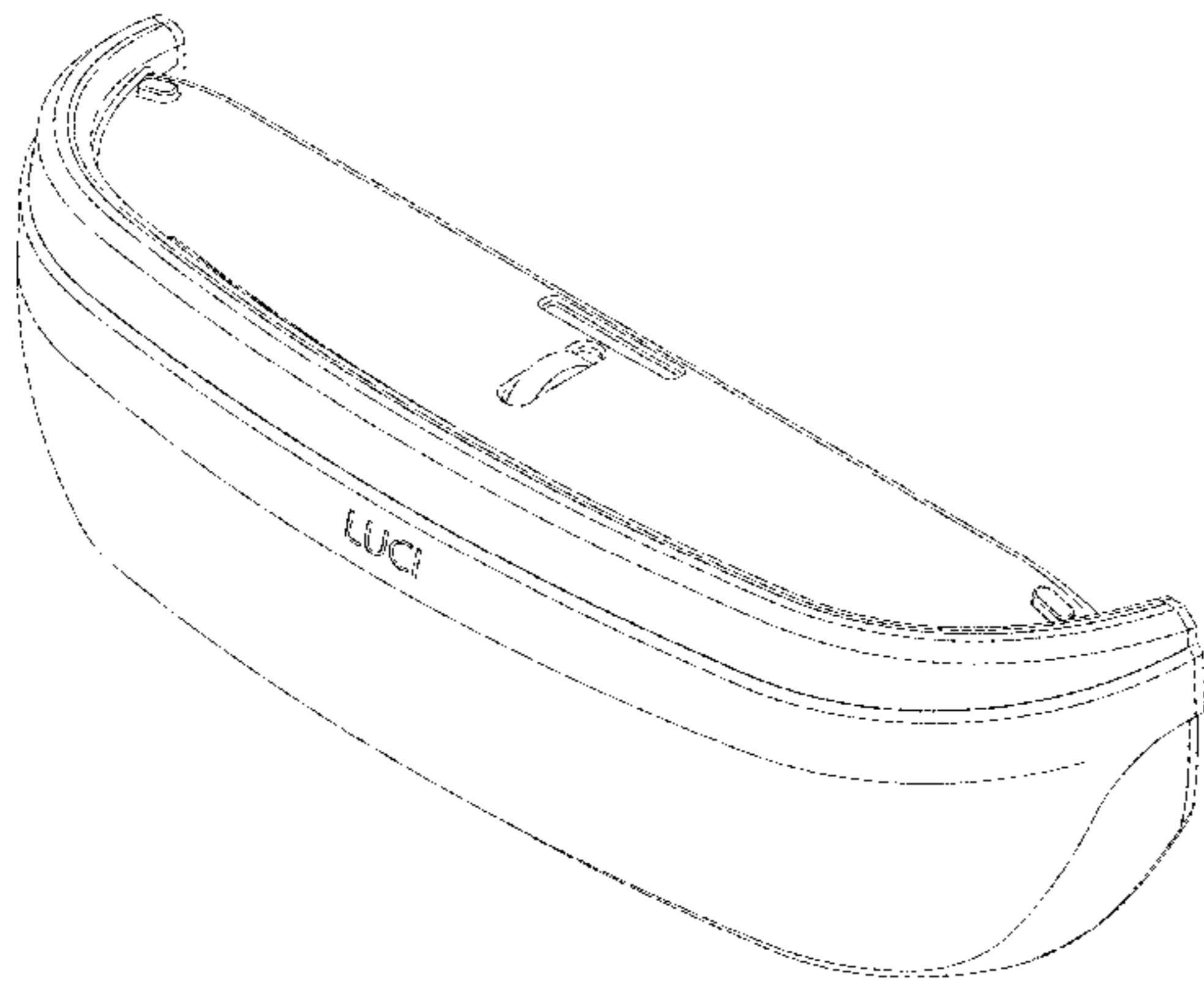
(57) **CLAIM**

The ornamental design for a main body portion of headwear virtual reality device, as shown.

DESCRIPTION

FIG. 1 is a perspective view of a main body portion of headwear virtual reality device showing our new design; FIG. 2 is a front view thereof; FIG. 3 is a rear view thereof; FIG. 4 is a left side view thereof; FIG. 5 is a right side view thereof; FIG. 6 is a top plan view thereof; and, FIG. 7 is a bottom plan view thereof.

1 Claim, 3 Drawing Sheets



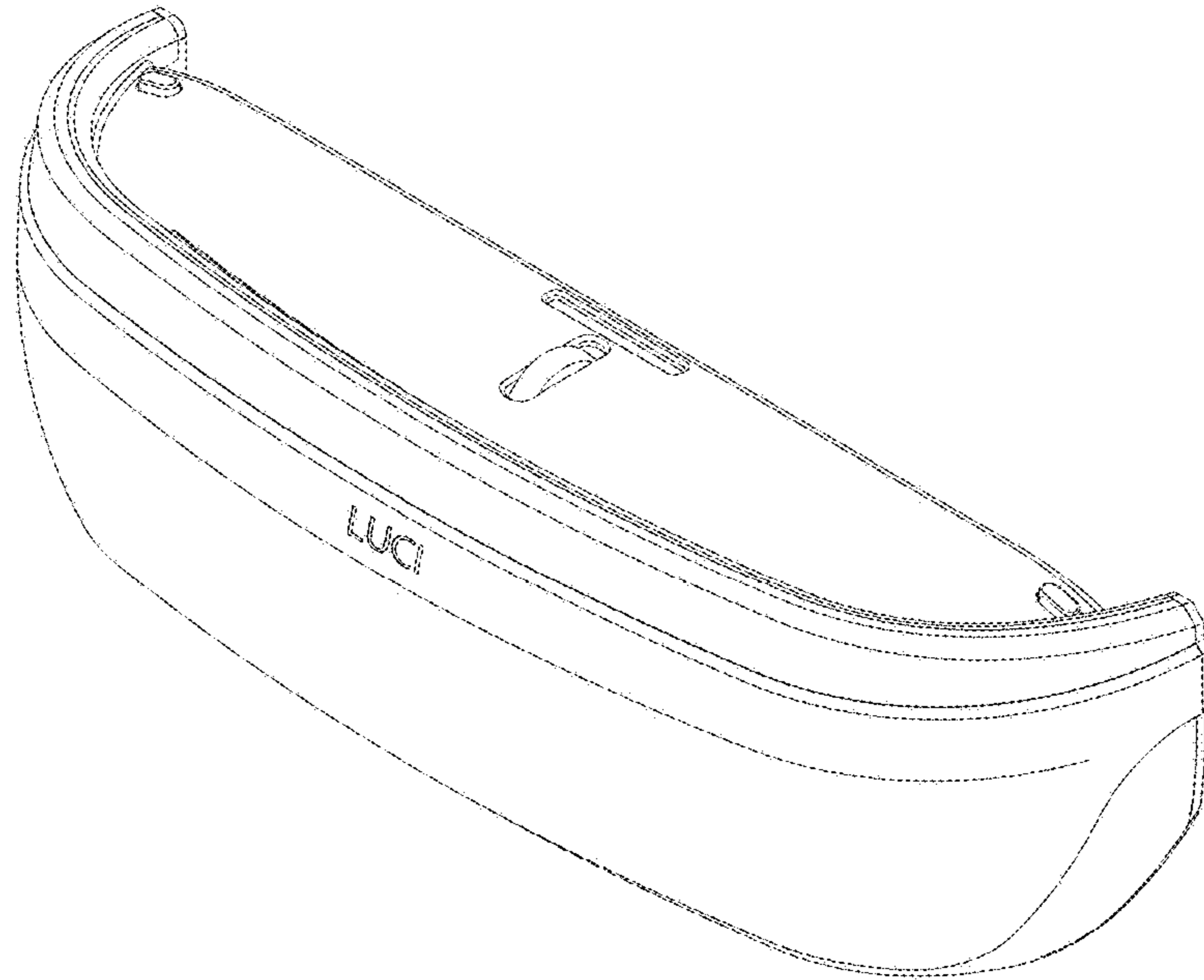


FIG. 1

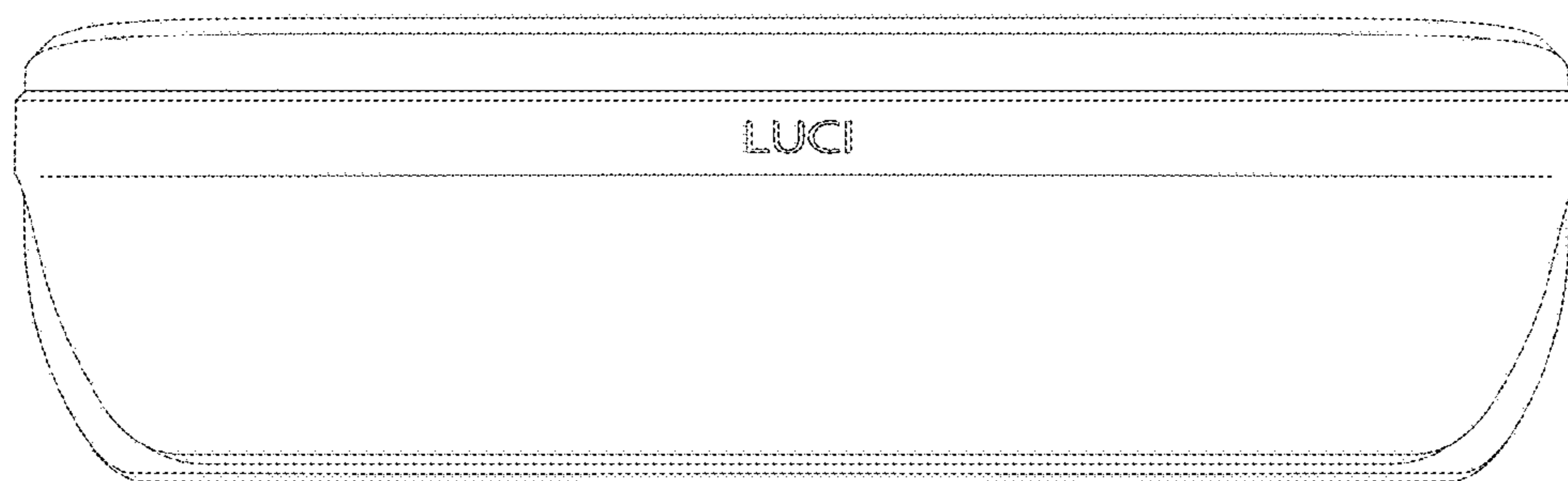


FIG. 2

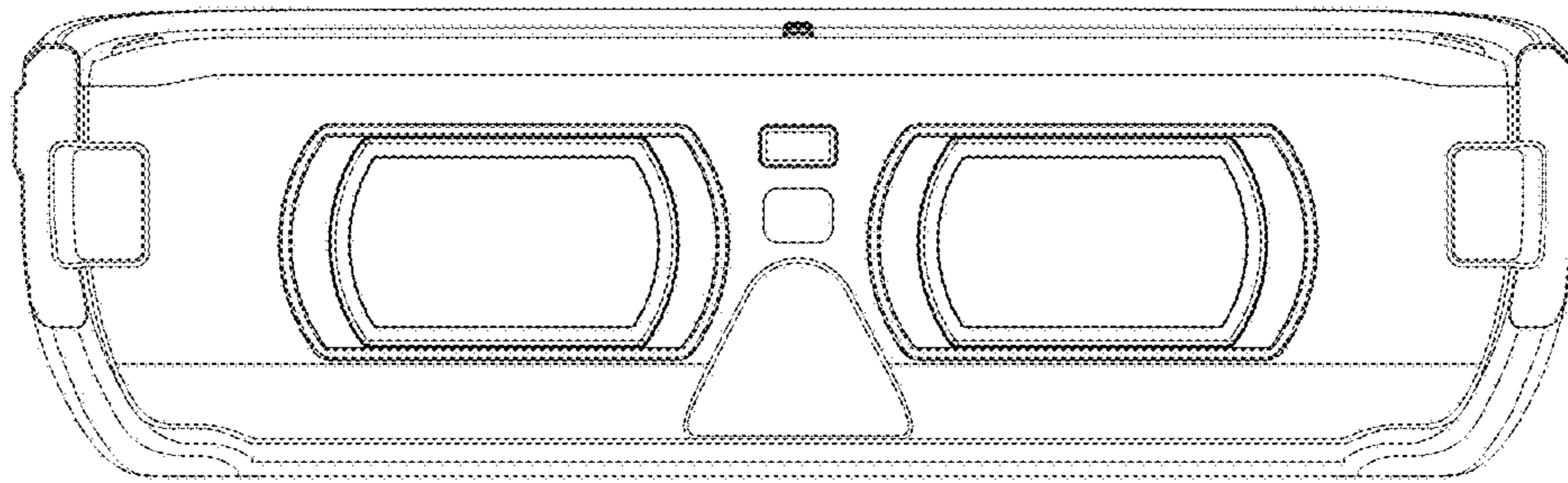


FIG. 3

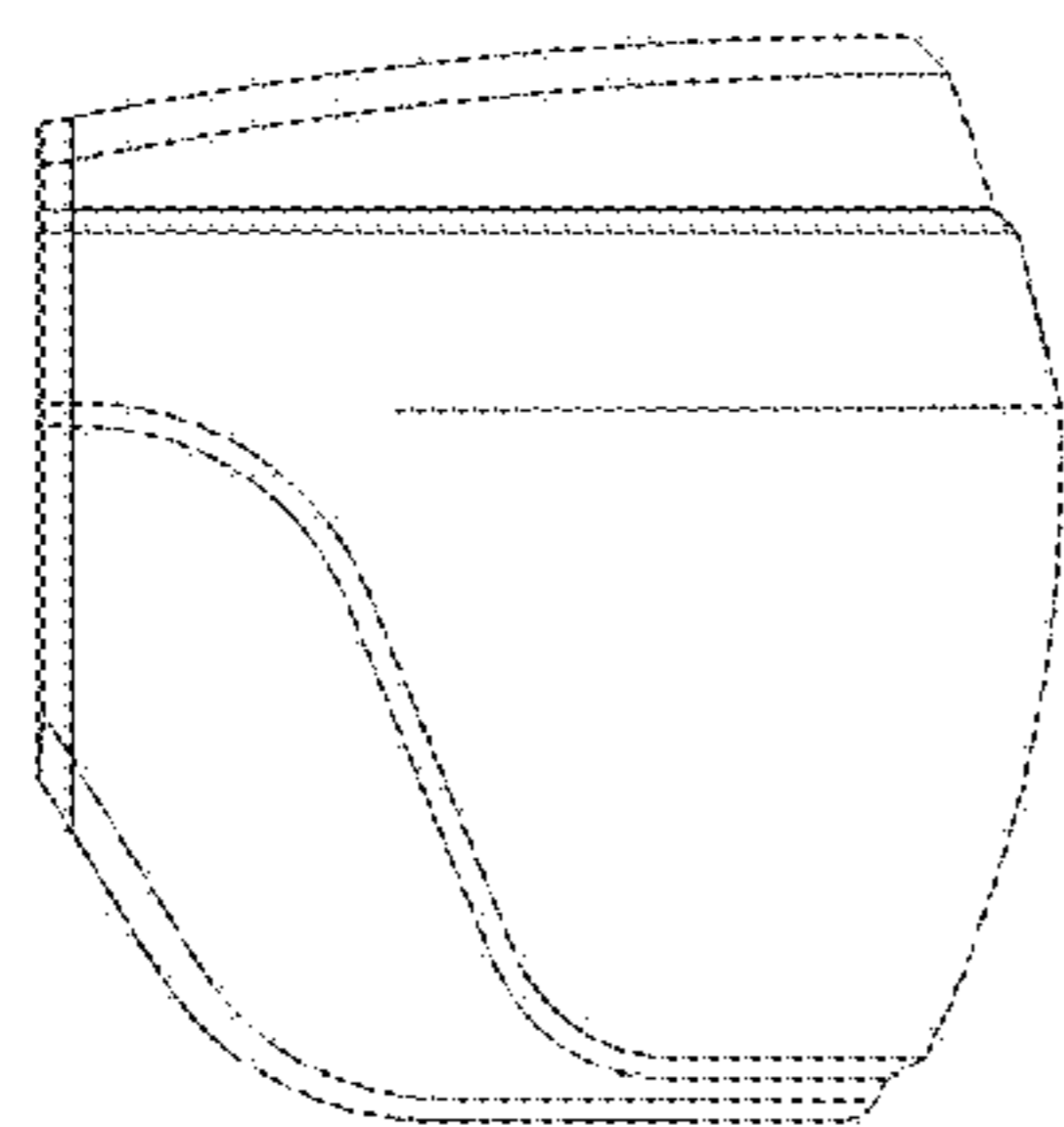


FIG. 4

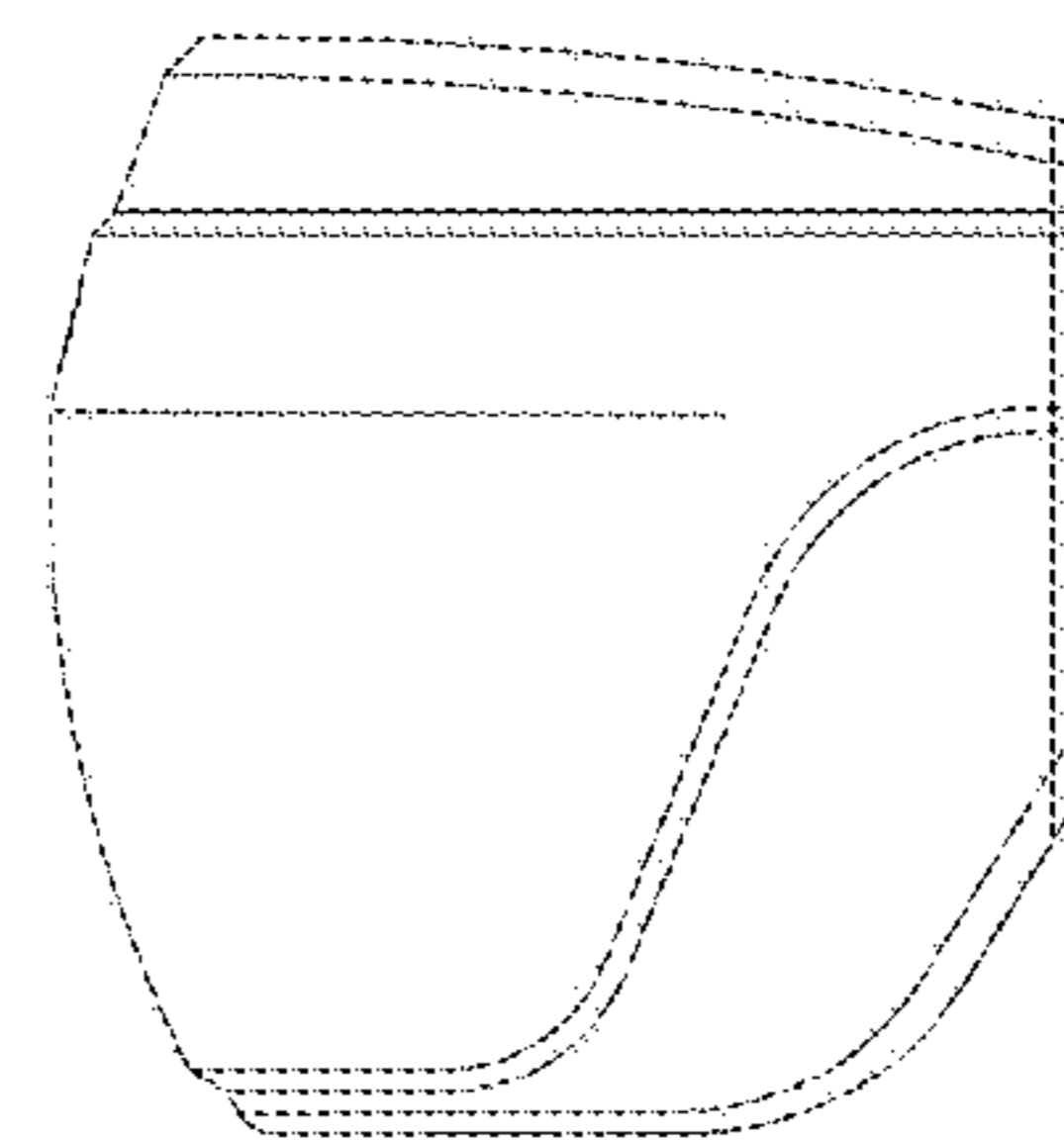


FIG. 5

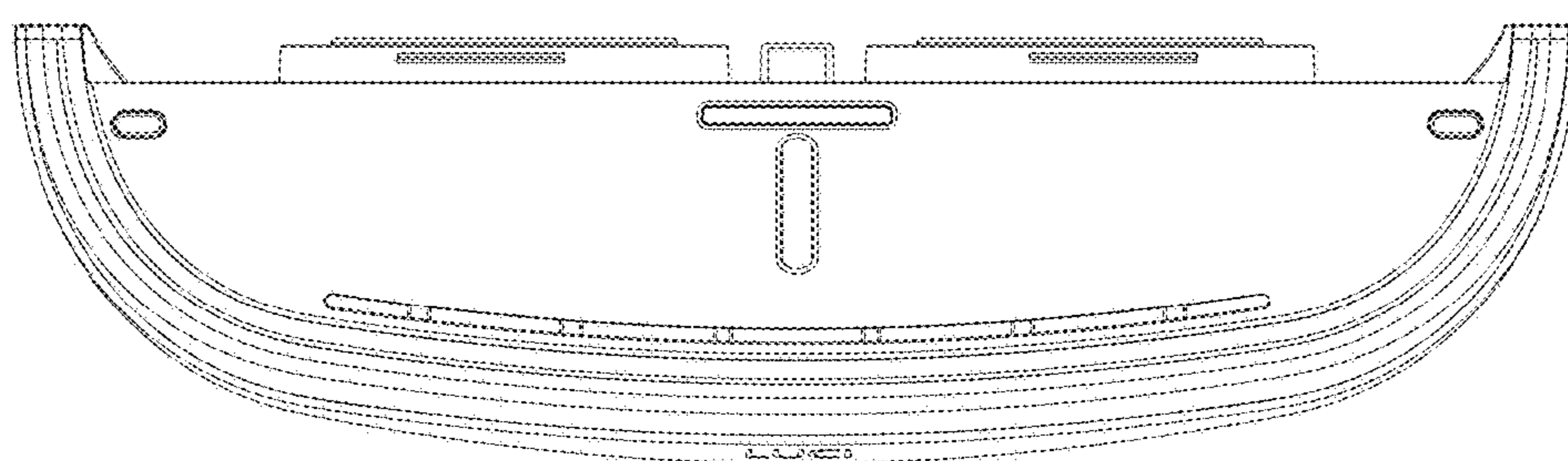


FIG. 6

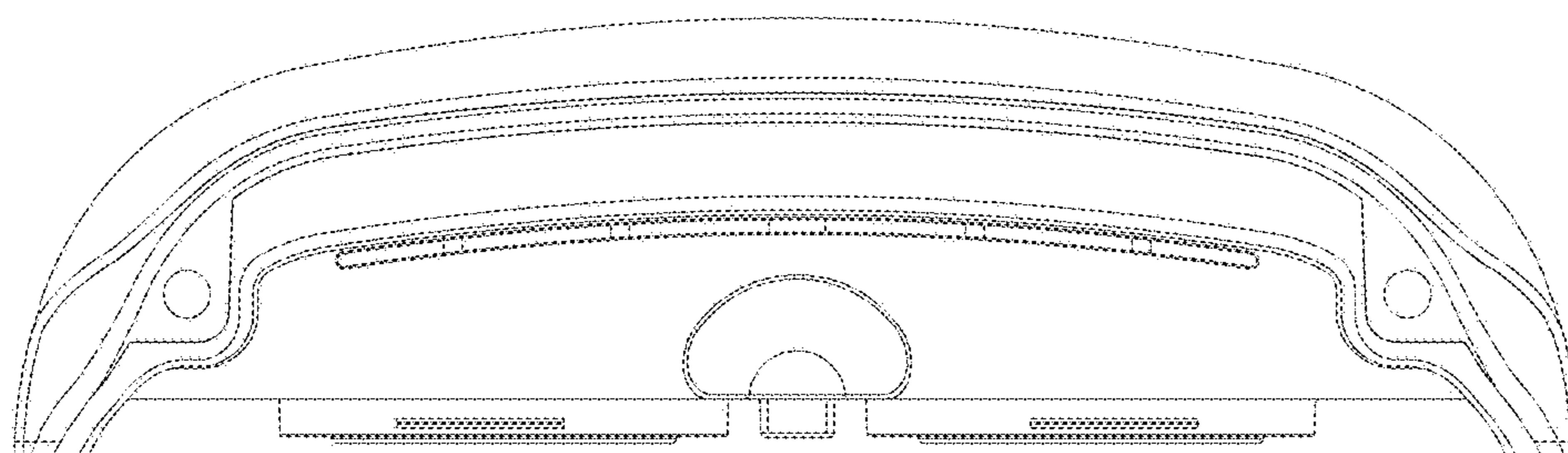


FIG. 7