



US00D840396S

(12) **United States Design Patent** (10) **Patent No.:** **US D840,396 S**  
**Zhou** (45) **Date of Patent:** **\*\* Feb. 12, 2019**

(54) **WEARABLE AUGMENTED REALITY (AR) AND VIRTUAL REALITY (VR) EYEGLASS COMMUNICATION DEVICE WITH AN ARTIFICIAL INTELLIGENCE (AI) DATA PROCESSING APPARATUS**

(71) Applicant: **Dylan T X Zhou**, Tiburon, CA (US)

(72) Inventor: **Dylan T X Zhou**, Tiburon, CA (US)

(\*\*) Term: **15 Years**

(21) Appl. No.: **29/581,291**

(22) Filed: **Oct. 18, 2016**

**Related U.S. Application Data**

(63) Continuation-in-part of application No. 14/957,644, filed on Dec. 3, 2015, now Pat. No. 9,489,671, which  
(Continued)

(51) **LOC (11) Cl.** ..... **14-02**

(52) **U.S. Cl.**  
USPC ..... **D14/372**

(58) **Field of Classification Search**  
USPC ..... D14/372, 496, 432, 371, 125, 126, 129, D14/299; D16/300-342; 351/158, 153,  
(Continued)

(56) **References Cited**

**U.S. PATENT DOCUMENTS**

D439,265 S \* 3/2001 Hayashi ..... D14/372  
D680,152 S \* 4/2013 Olsson ..... D16/309  
(Continued)

*Primary Examiner* — Austin Murphy

(74) *Attorney, Agent, or Firm* — Steven A. Nielsen;  
www.NielsenPatents.com

(57) **CLAIM**

The ornamental design for a wearable augmented reality (AR) and virtual reality (VR) eyeglass communication

device with an artificial intelligence (AI) data processing apparatus, as shown and described.

**DESCRIPTION**

FIG. 1 is a perspective view of a wearable augmented reality (AR) and virtual reality (VR) eyeglass communication device with an artificial intelligence (AI) data processing apparatus thereof;

FIG. 2 is a perspective view of AI VR set vertically upside thereof;

FIG. 3 is a perspective view of AI VR set on the back thereof;

FIG. 4 is a perspective view of AI VR and AI AR sets all in one together with human head thereof;

FIG. 5 is a perspective view of AI VR set on top of human head and AI AR set front together with human head thereof;

FIG. 6 is a perspective view of AI VR set on the back of human head and AI AR set front together with human head thereof;

FIG. 7 is a front view thereof;

FIG. 8 is a back view thereof;

FIG. 9 is a left side view thereof;

FIG. 10 is a right side view thereof;

FIG. 11 is a top view thereof;

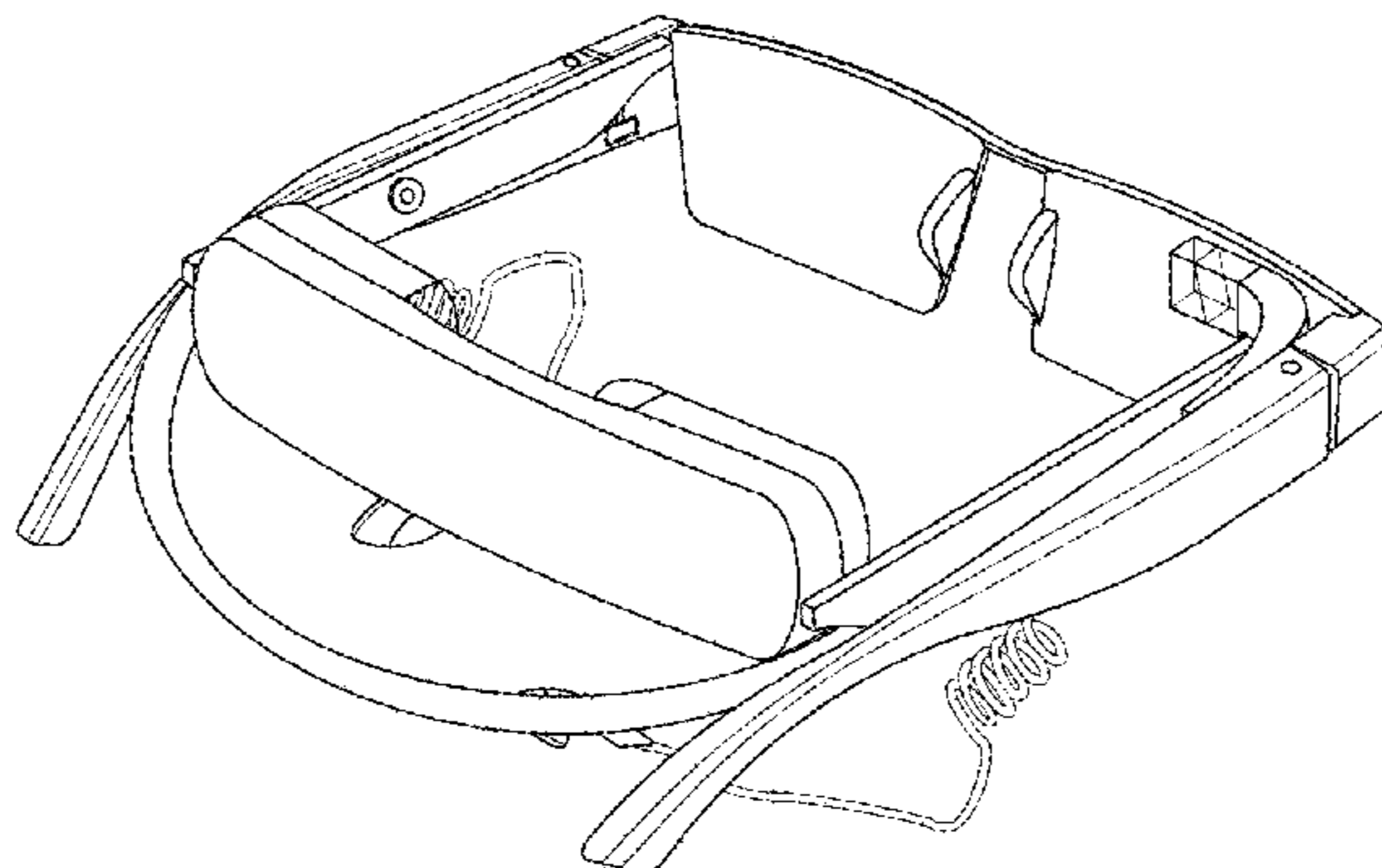
FIG. 12 is a bottom view thereof;

FIG. 13 is a front perspective view of AI and AR thereof. The VR component has been removed for completeness of illustration;

FIG. 14 is a front view of AI AR VR all in one thereof; and, FIG. 15 is a perspective view of AI, AR, VR set, and earphones shown in an exploded view.

The broken lines of FIG. 4, FIG. 5, and FIG. 6 human heads illustrate environmental factors only and form no part of the claimed design.

**1 Claim, 15 Drawing Sheets**



**Related U.S. Application Data**

is a continuation-in-part of application No. 14/815,988, filed on Aug. 1, 2015, now Pat. No. 9,342,829, and a continuation-in-part of application No. 14/165,826, filed on Jan. 28, 2014, which is a continuation of application No. 13/973,146, filed on Aug. 22, 2013, now Pat. No. 9,153,074, and a continuation-in-part of application No. 13/760,214, filed on Feb. 6, 2013, now Pat. No. 9,016,565.

**(58) Field of Classification Search**

USPC ..... 351/144; 345/7-9, 905; 455/344;  
348/115, 53, 121, 739  
CPC ..... G02B 27/017; G02B 27/0158; G02B  
27/0161; G02B 27/0181; G02B 27/0185;  
G02B 27/0189

See application file for complete search history.

**(56) References Cited**

U.S. PATENT DOCUMENTS

D697,130 S *	1/2014	Lovgren .....	D16/309
D701,557 S *	3/2014	Lee .....	D16/309
D716,808 S *	11/2014	Yeom .....	D14/372
D718,366 S *	11/2014	Mehin .....	D16/300
D719,568 S *	12/2014	Heinrich .....	D14/372
D738,373 S *	9/2015	Davies .....	D14/372
D746,818 S *	1/2016	Cho .....	D14/372
D759,015 S *	6/2016	Mehin .....	D14/372
D800,118 S *	10/2017	Xing .....	D14/372
D815,092 S *	4/2018	Liao .....	D14/372
D820,258 S *	6/2018	Maw .....	D14/372

\* cited by examiner

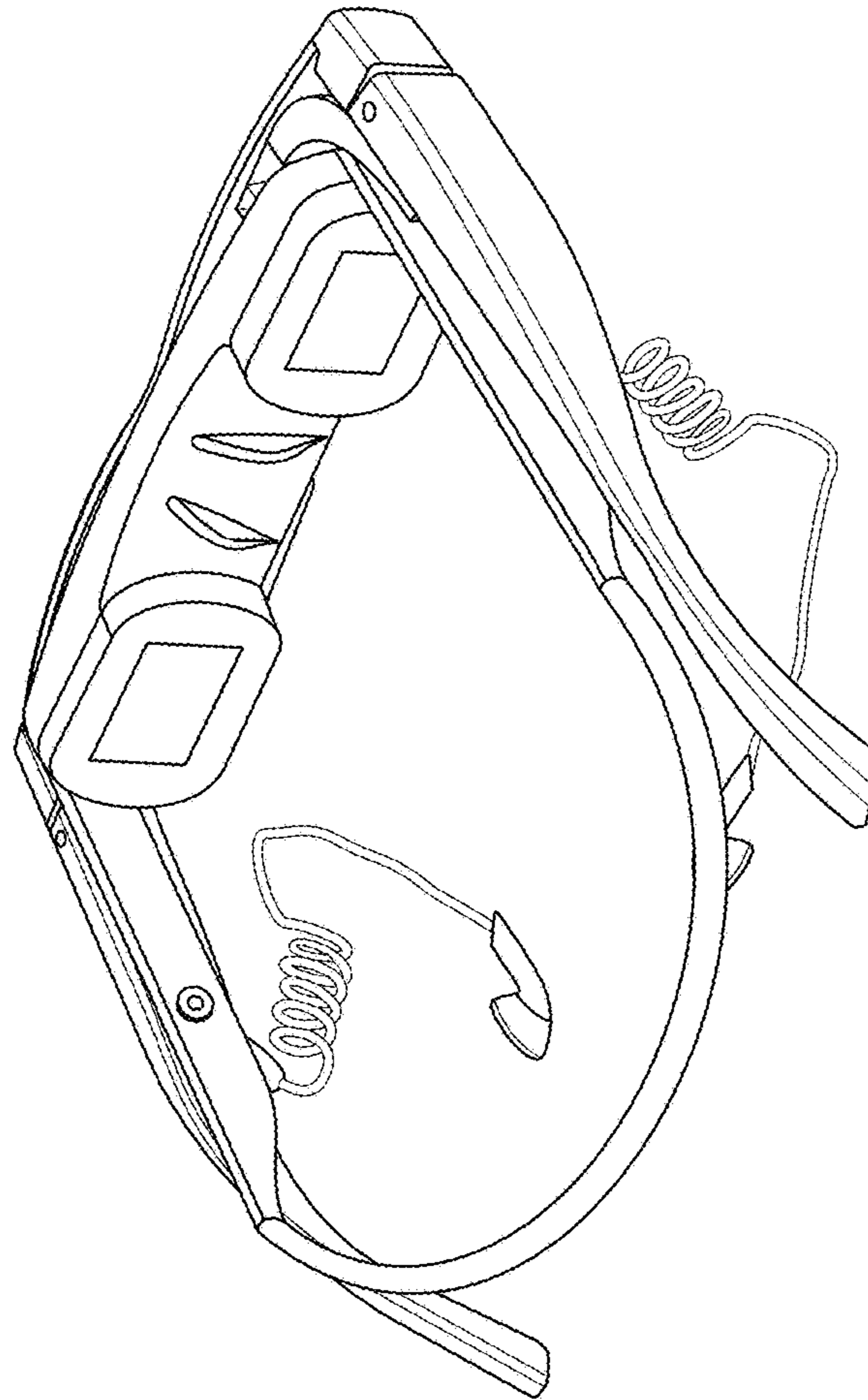


FIG. 1

FIG. 2

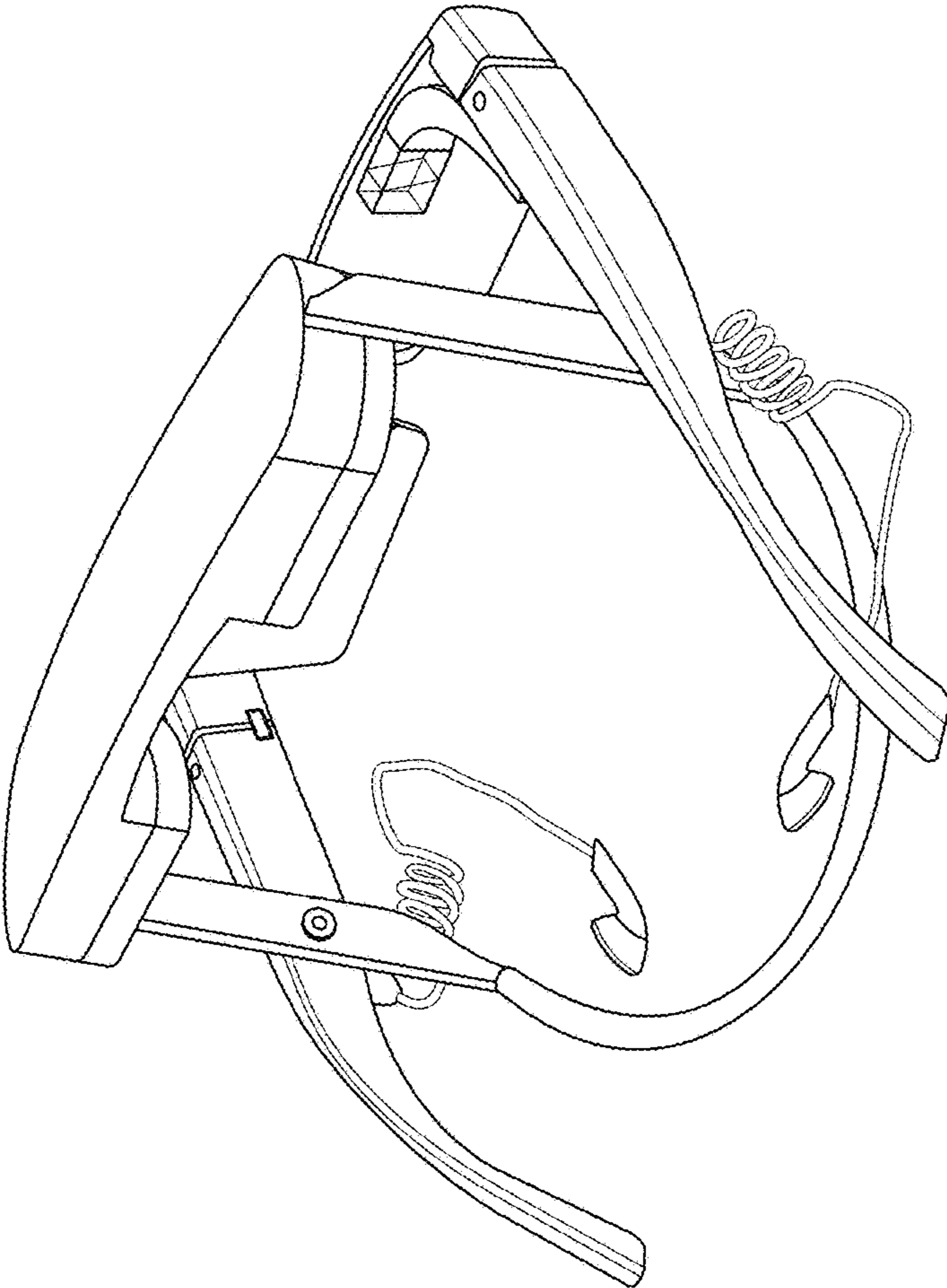
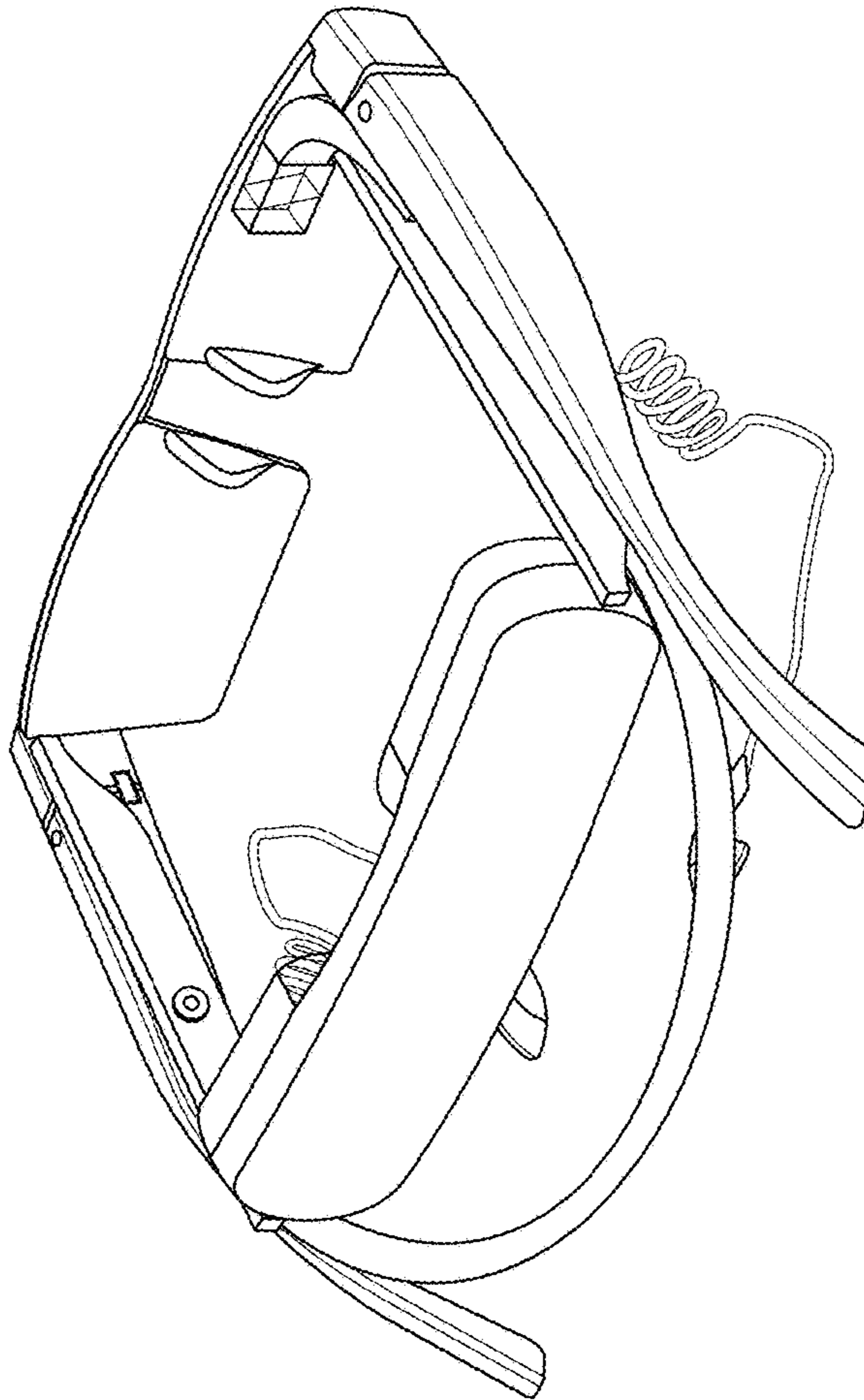


FIG. 3



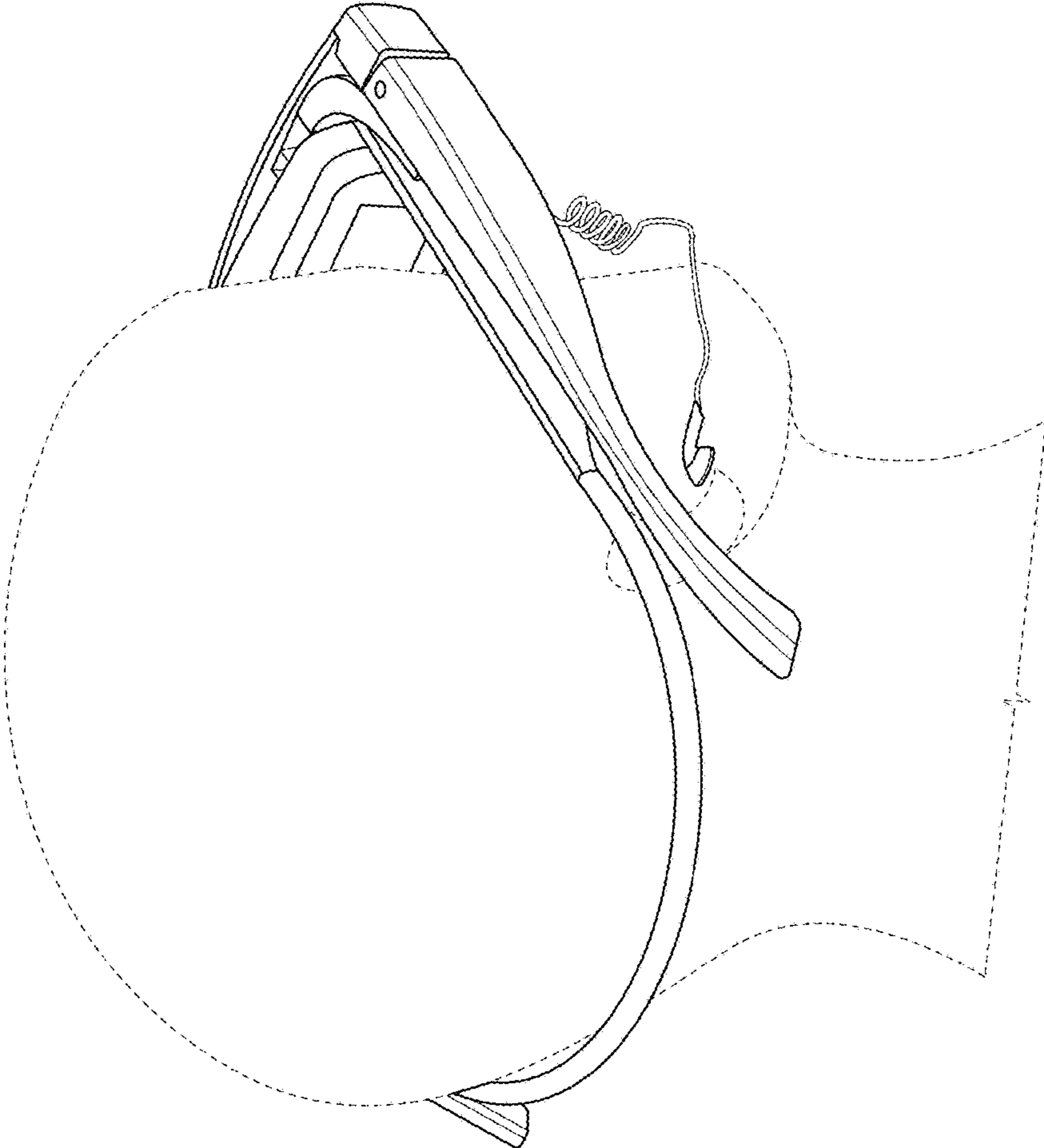


FIG. 4

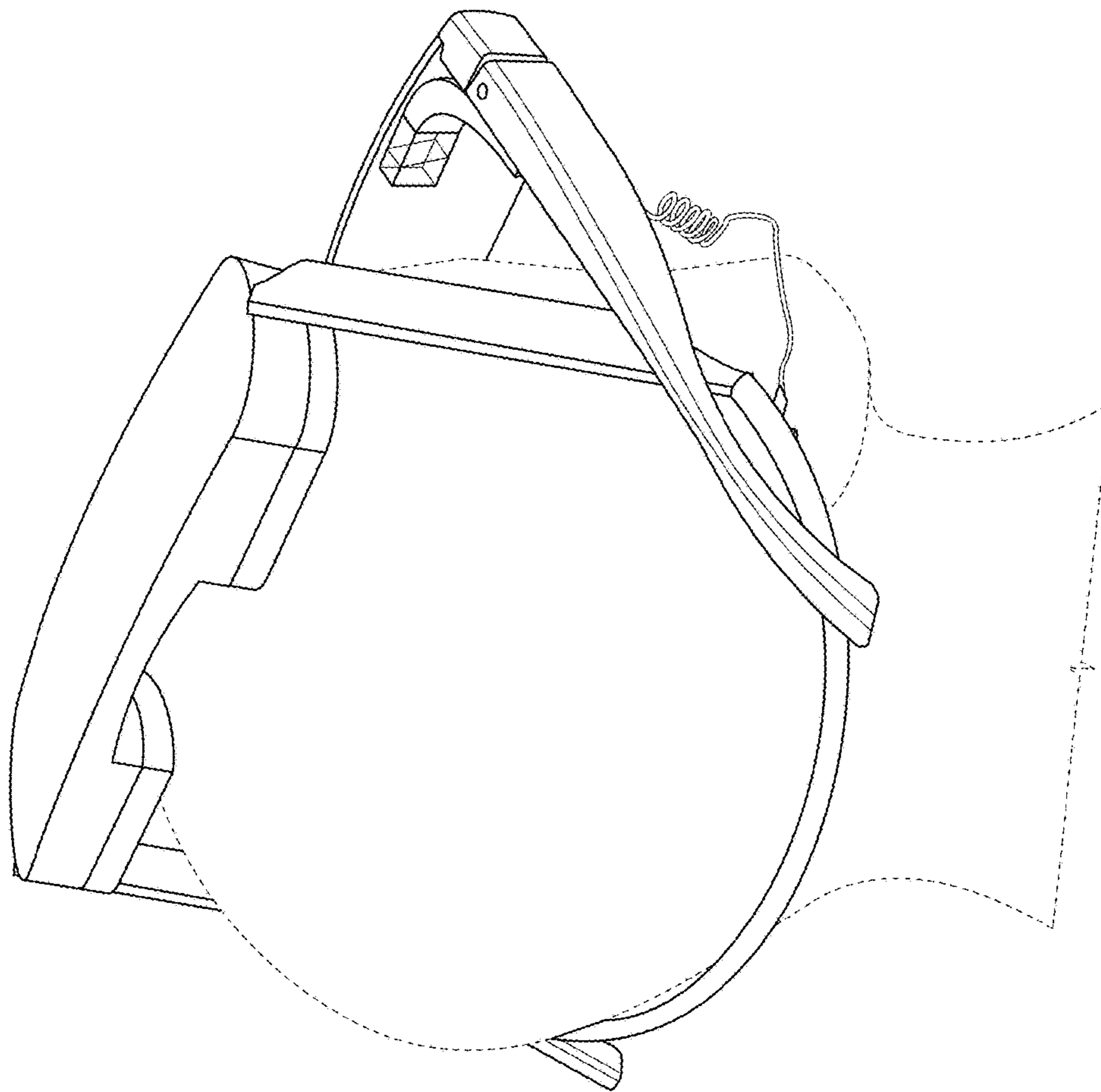


FIG. 5

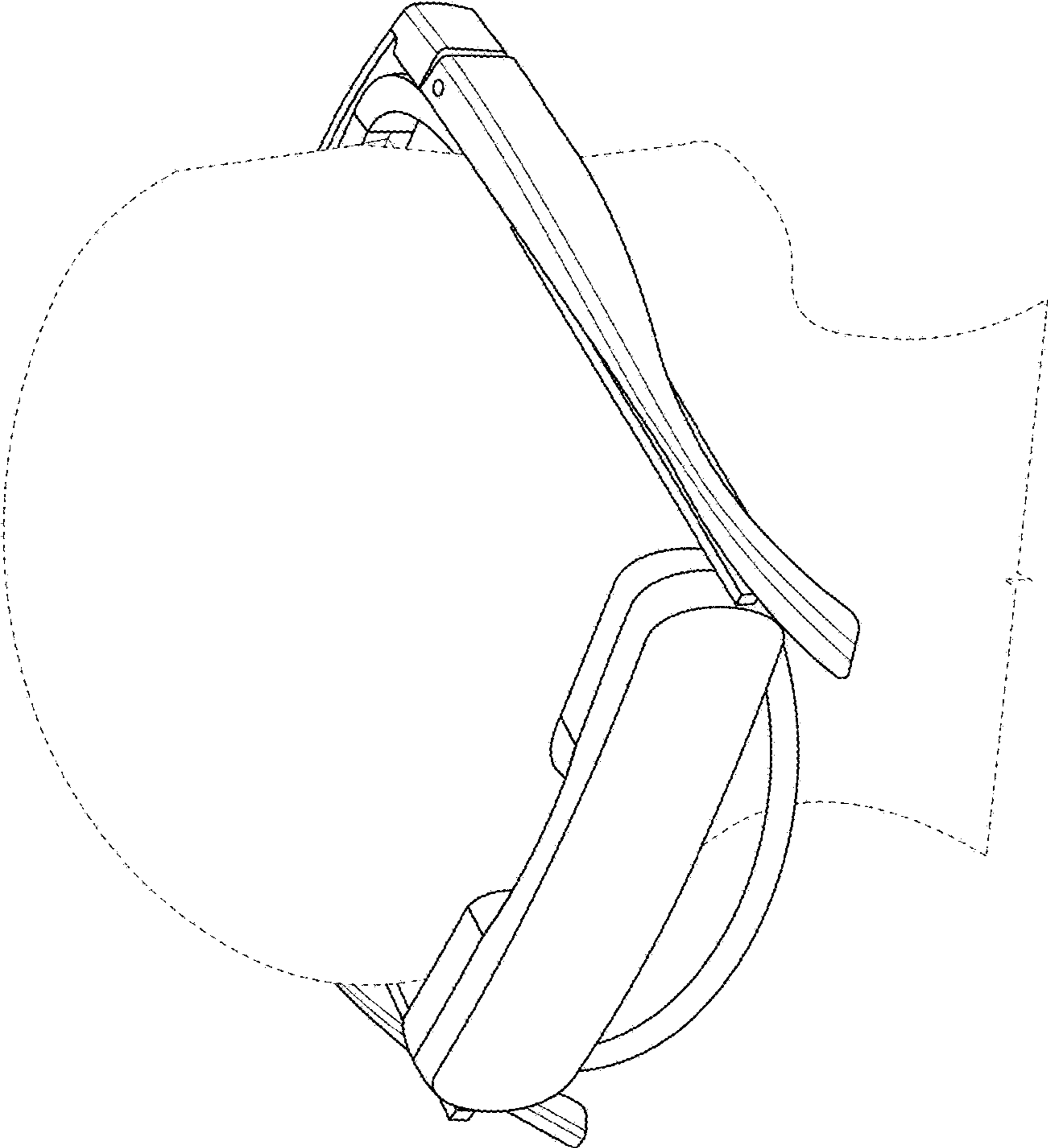


FIG. 6



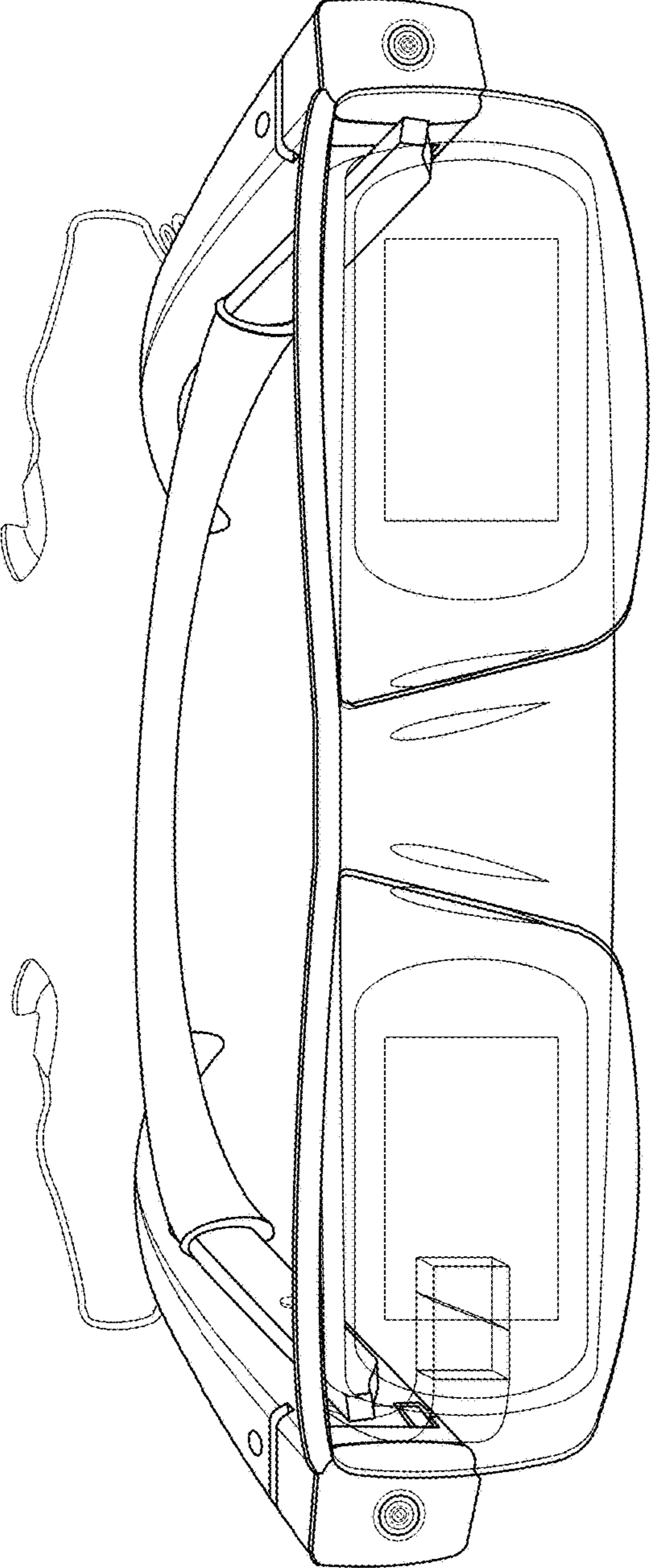


FIG. 7

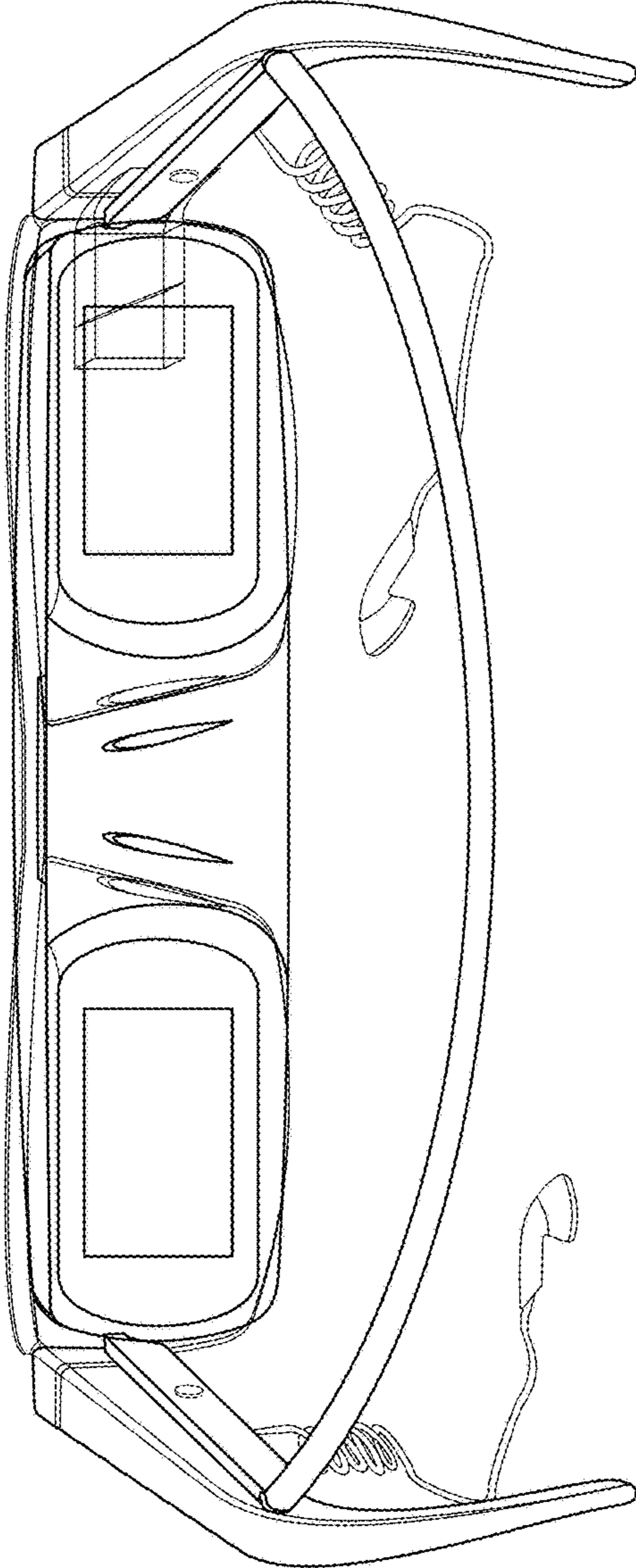


FIG. 8

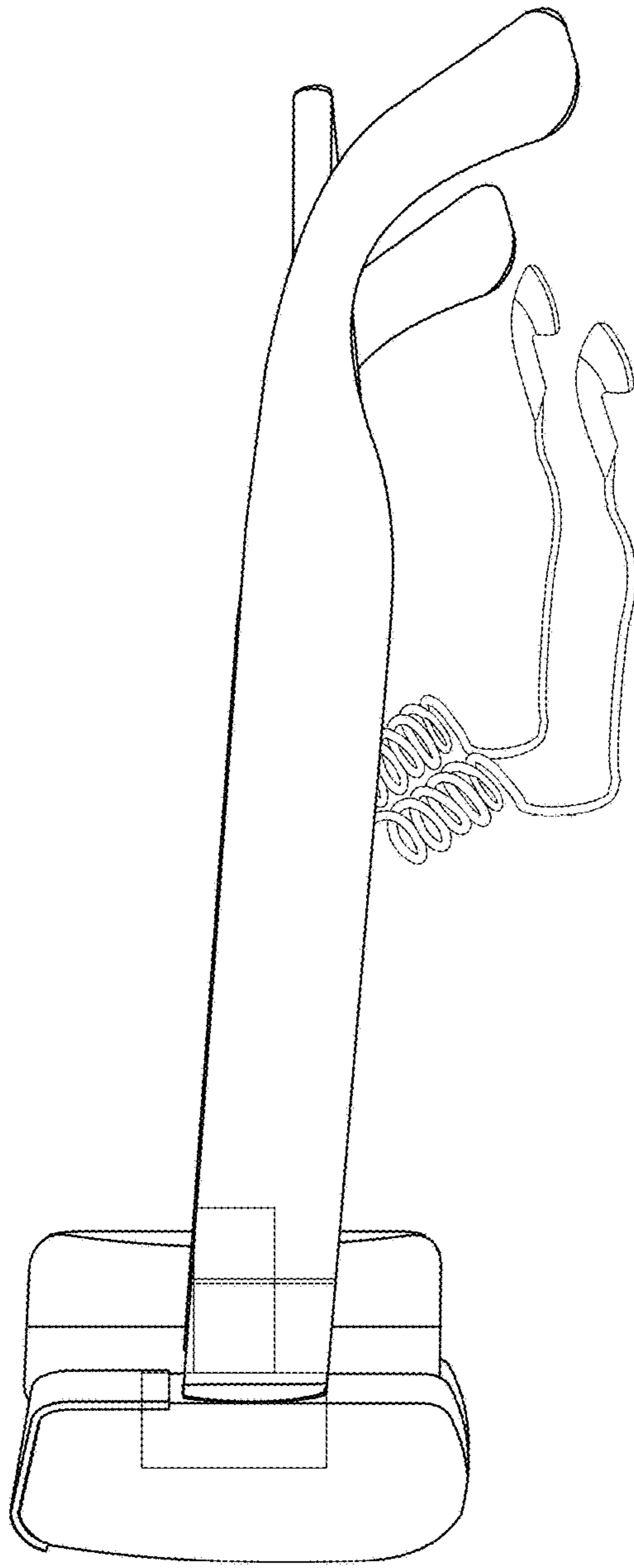


FIG. 9

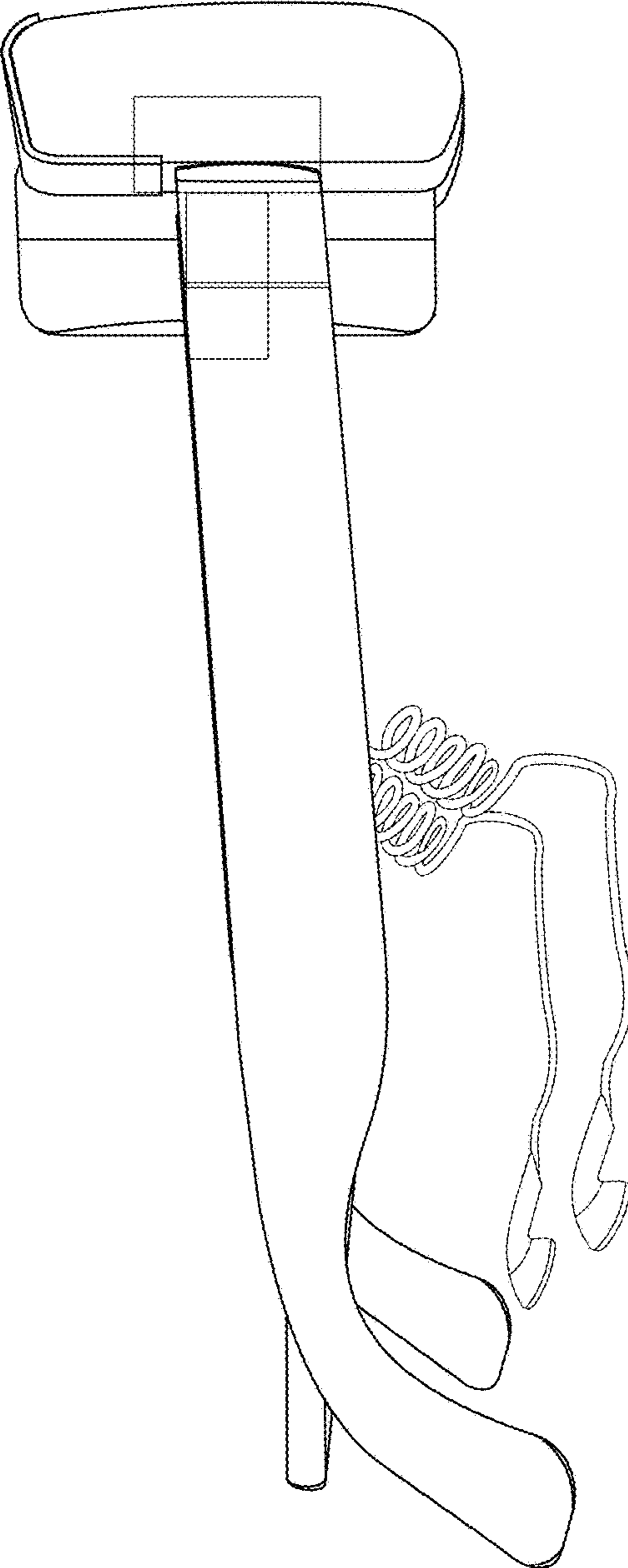


FIG. 10

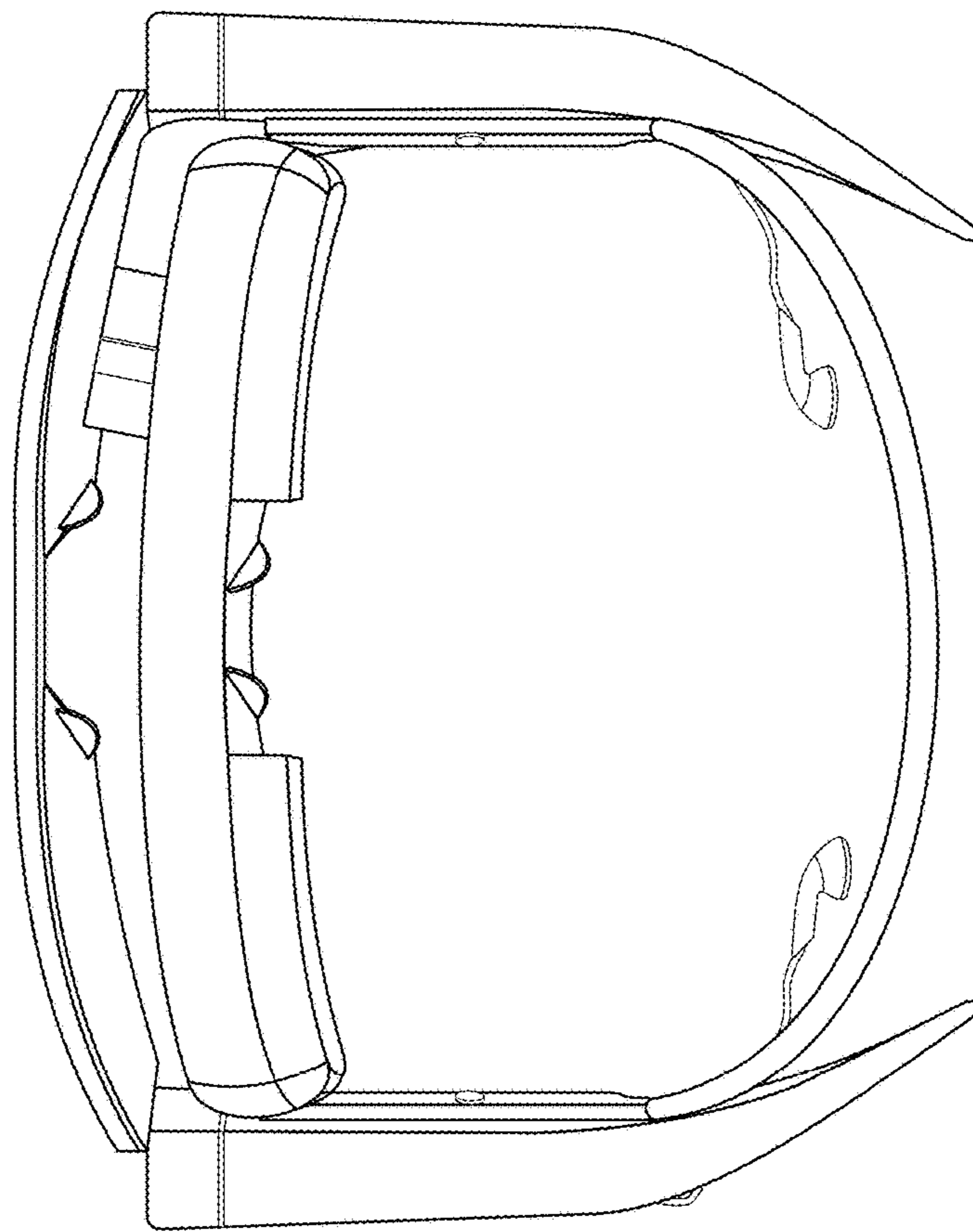


FIG. 11

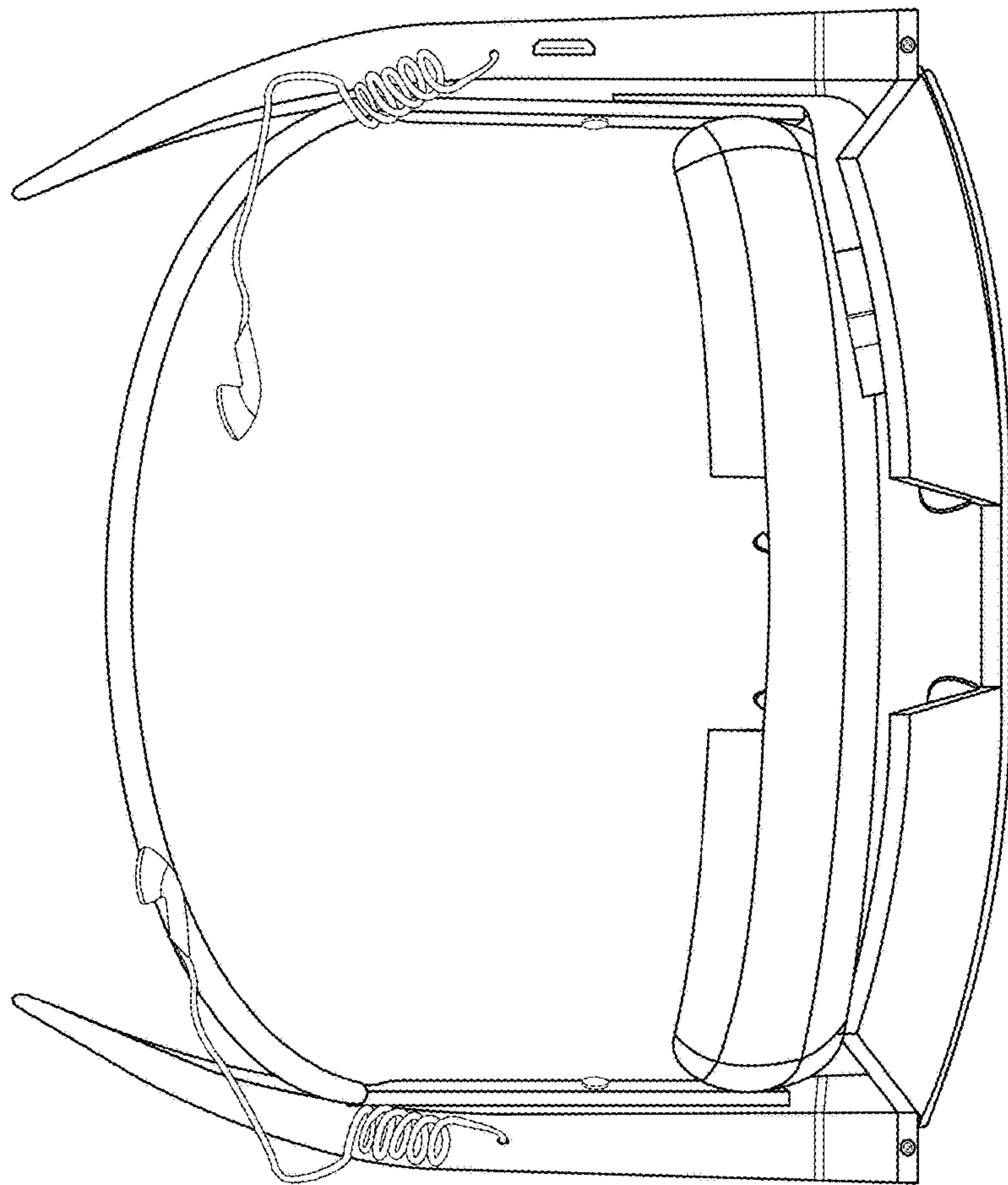


FIG. 12

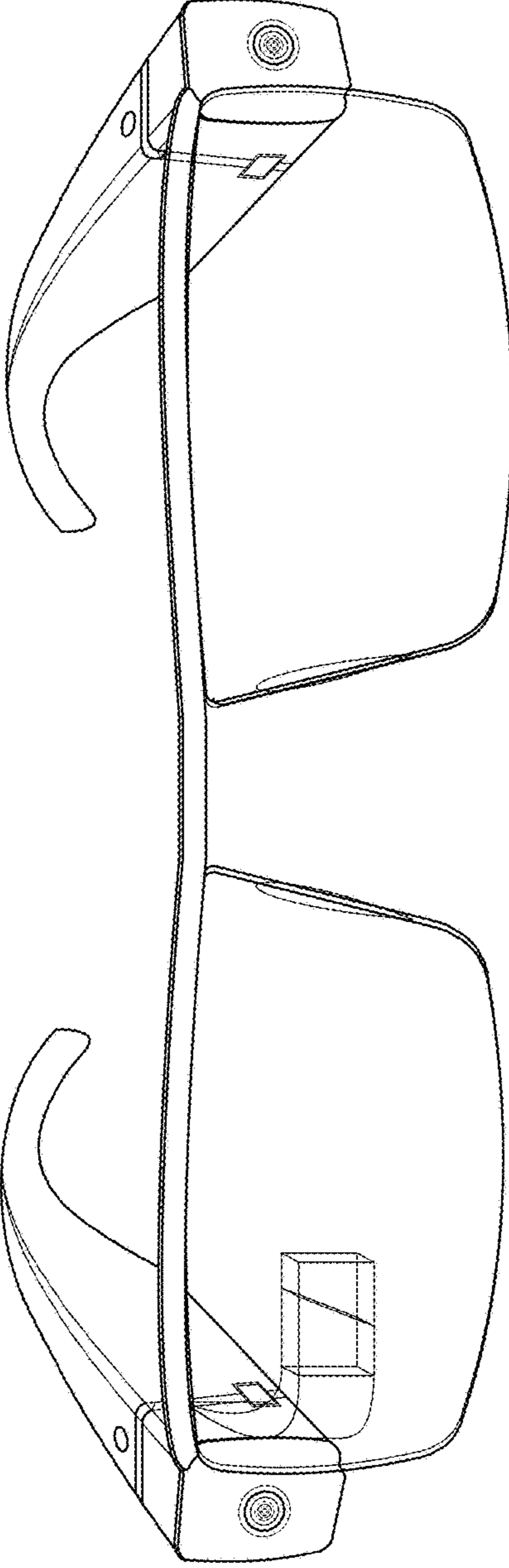


FIG. 13

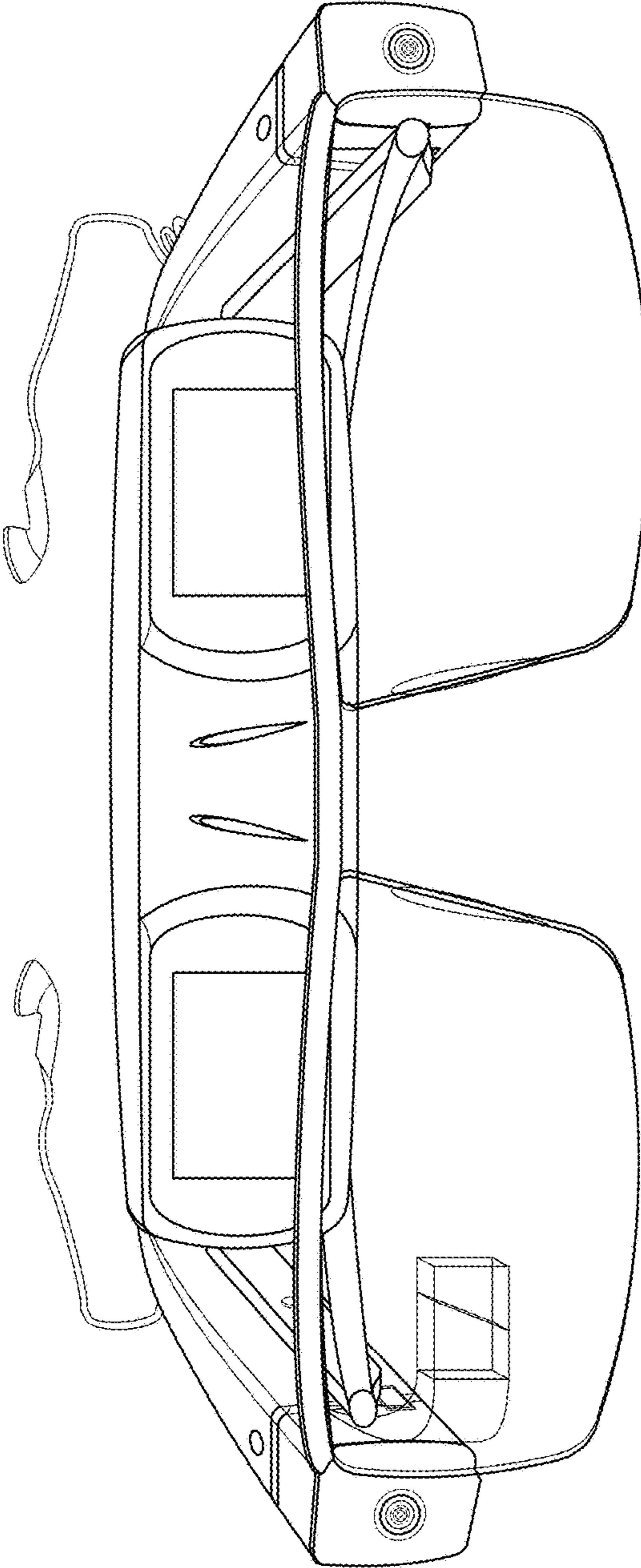


FIG. 14



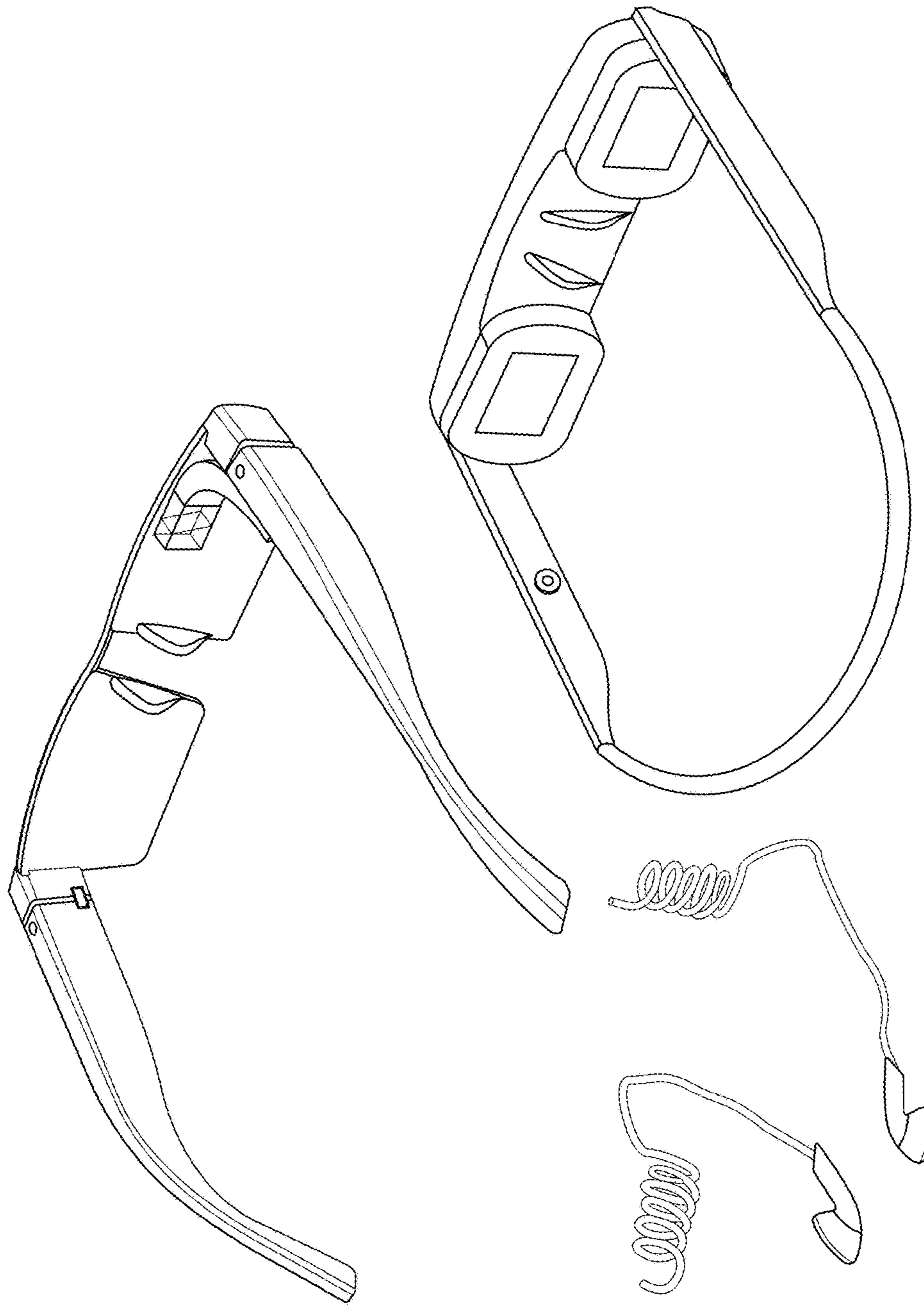


FIG. 15