

US00D840395S

(12) **United States Design Patent**
Osterhout

(10) **Patent No.:** **US D840,395 S**

(45) **Date of Patent:** **** Feb. 12, 2019**

(54) **HEAD-WORN COMPUTER**

(71) Applicant: **Osterhout Group, Inc.**, San Francisco, CA (US)

(72) Inventor: **Ralph F. Osterhout**, San Francisco, CA (US)

(73) Assignee: **Osterhout Group, Inc.**, San Francisco, CA (US)

(**) Term: **15 Years**

(21) Appl. No.: **29/581,145**

(22) Filed: **Oct. 17, 2016**

(51) **LOC (11) Cl.** **14-02**

(52) **U.S. Cl.**
USPC **D14/372**

(58) **Field of Classification Search**
USPC D14/372, 496, 432, 371, 125, 126, 129, D14/299; D16/300-342; 351/158, 153, 351/144; 345/7-9, 905; 455/344; 348/115, 53, 121, 739
CPC G02B 27/017; G02B 27/0158; G02B 27/0161; G02B 27/0181; G02B 27/0185; G02B 27/0189

See application file for complete search history.

(56) **References Cited**

U.S. PATENT DOCUMENTS

1,897,833 A	2/1933	Benway
2,064,604 A	12/1936	Hempel
3,531,190 A	9/1970	Leblanc
3,671,111 A	6/1972	Okner
4,145,125 A	3/1979	Chika
4,513,812 A	4/1985	Papst et al.
4,695,129 A	9/1987	Faessen et al.
5,596,451 A	1/1997	Handschy et al.
5,625,372 A	4/1997	Hildebrand et al.
D383,148 S	9/1997	Lee
5,717,422 A	2/1998	Ferguson et al.

5,808,800 A	9/1998	Handschy et al.
5,808,802 A	9/1998	Hur
5,954,642 A	9/1999	Johnson et al.
5,971,538 A	10/1999	Heffner
6,034,653 A	3/2000	Robertson et al.

(Continued)

FOREIGN PATENT DOCUMENTS

CN	107250882 A	10/2017
EP	368898 A1	5/1990

(Continued)

OTHER PUBLICATIONS

US 8,743,465, 06/2014, Totani et al. (withdrawn)

(Continued)

Primary Examiner — Austin Murphy

(74) *Attorney, Agent, or Firm* — GTC Law Group PC & Affiliates

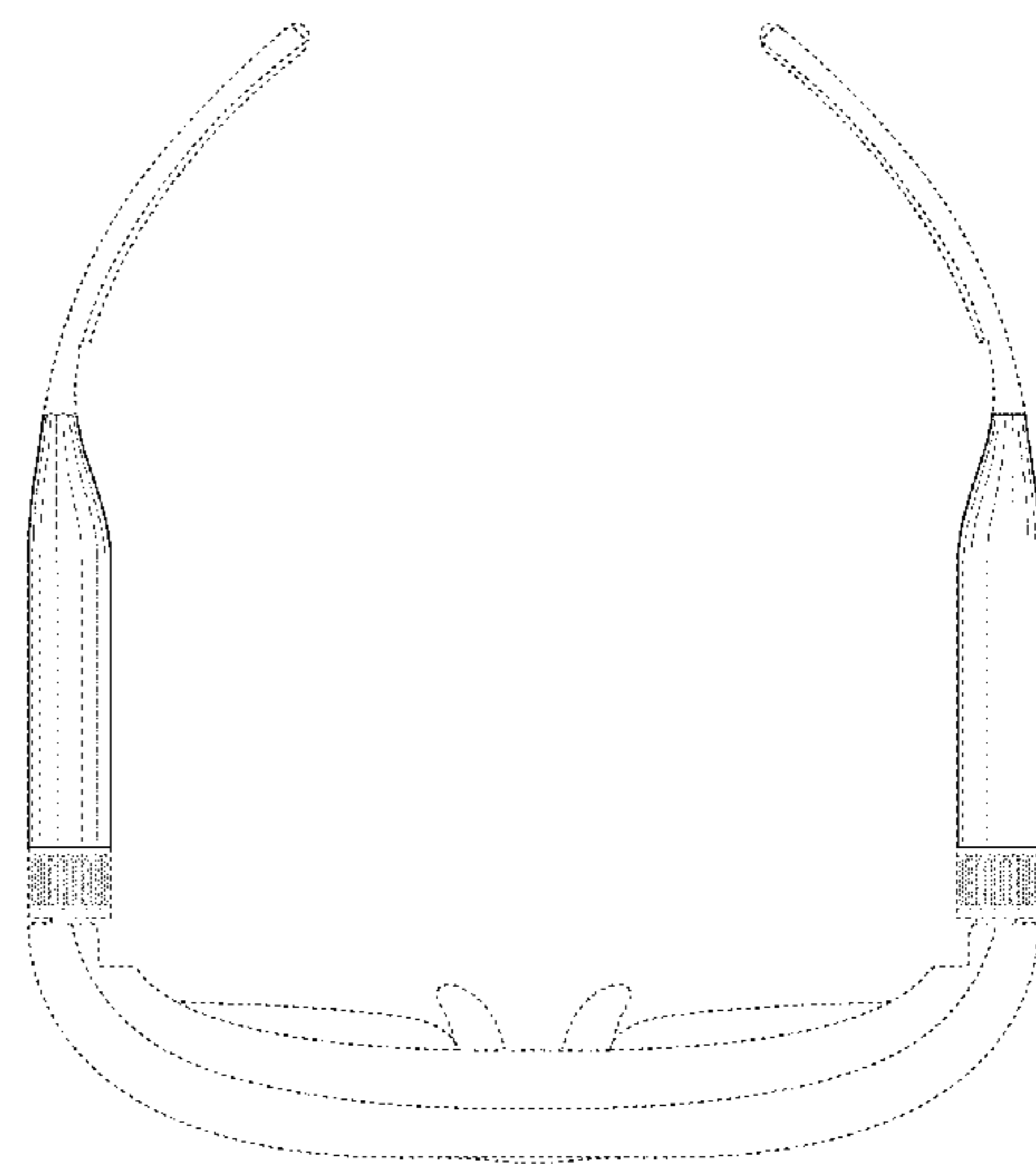
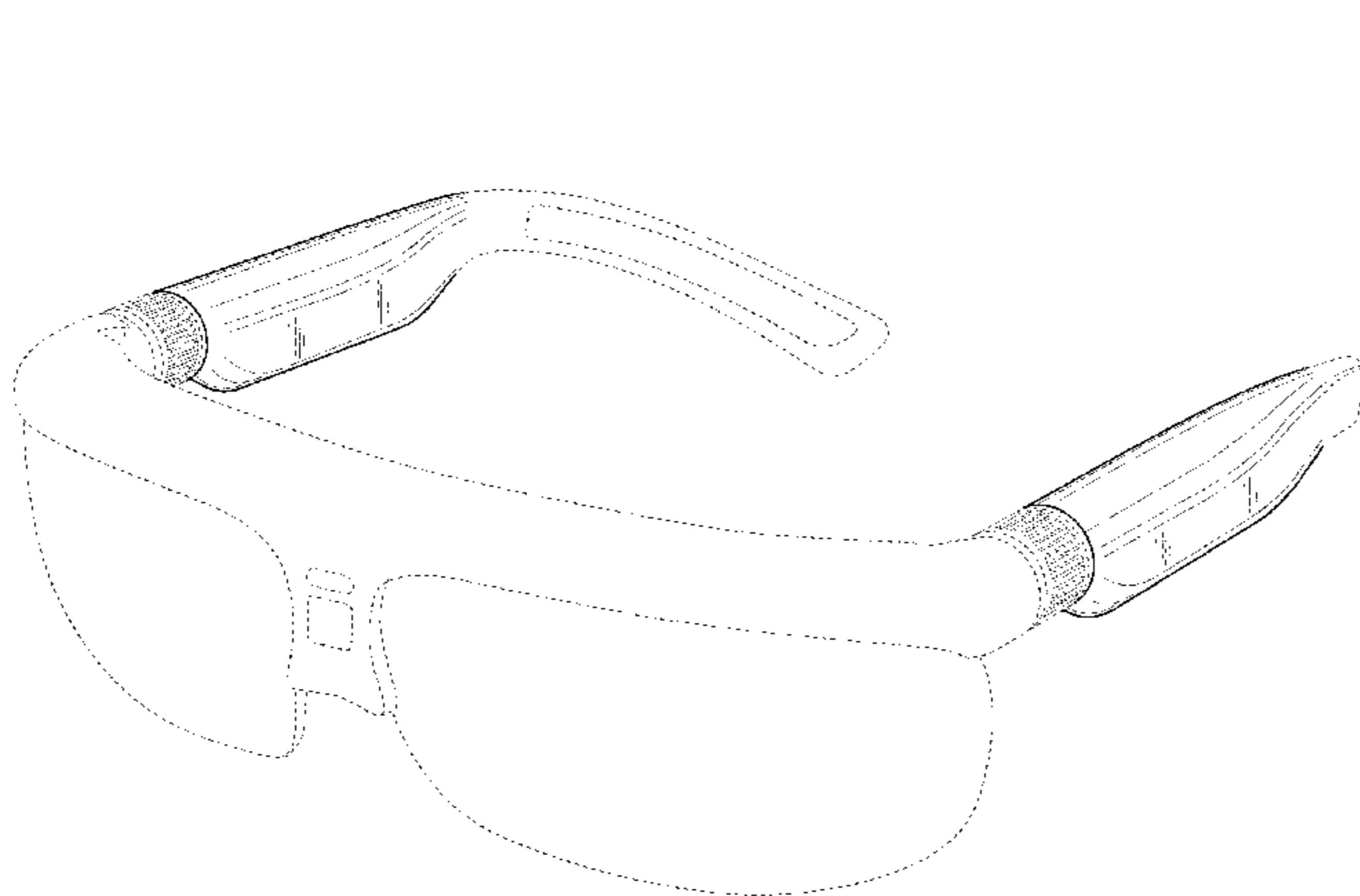
(57) **CLAIM**

The ornamental design for a head-worn computer, as shown and described.

DESCRIPTION

FIG. 1 is a full view of a first embodiment of the new design; FIG. 2 is a top view of the first embodiment thereof; FIG. 3 is a front view of the first embodiment thereof; FIG. 4 is a side view of the first embodiment thereof; FIG. 5 is a full view of a second embodiment of the new design; FIG. 6 is a top view of the second embodiment thereof; FIG. 7 is a front view of the second embodiment thereof; and, FIG. 8 is a side view of the second embodiment thereof. The broken lines in FIGS. 1-8 are for environmental purposes only and form no part of the claimed design.

1 Claim, 6 Drawing Sheets



(56)

References Cited

U.S. PATENT DOCUMENTS

6,076,927 A	6/2000	Owens	D723,093 S	2/2015	Li
6,137,675 A	10/2000	Perkins	8,955,973 B2	2/2015	Raffle et al.
6,157,291 A	12/2000	Kuenster et al.	8,957,835 B2	2/2015	Hoellwarth
6,195,136 B1	2/2001	Handschy et al.	8,964,298 B2	2/2015	Haddick et al.
6,359,723 B1	3/2002	Handschy et al.	D724,083 S	3/2015	Olsson et al.
6,369,952 B1	4/2002	Rallison et al.	8,971,023 B2	3/2015	Olsson et al.
6,421,031 B1	7/2002	Ronzani et al.	D727,317 S	4/2015	Olsson et al.
6,456,438 B1	9/2002	Lee et al.	9,031,273 B2	5/2015	Dong et al.
6,480,174 B1	11/2002	Kaufmann et al.	D730,975 S	6/2015	Stables
6,491,389 B2	12/2002	Yaguchi et al.	D732,025 S	6/2015	Heinrich et al.
6,824,265 B1	11/2004	Harper	D733,709 S	7/2015	Kawai
6,847,336 B1	1/2005	Lemelson et al.	9,105,261 B2	8/2015	Horii
6,987,787 B1	1/2006	Mick	D738,373 S	9/2015	Davies et al.
D521,493 S	5/2006	Wai	9,128,281 B2	9/2015	Osterhout et al.
7,088,234 B2	8/2006	Naito et al.	9,129,295 B2	9/2015	Border et al.
7,199,934 B2	4/2007	Yamasaki	9,143,693 B1	9/2015	Zhou et al.
7,206,134 B2	4/2007	Weissman et al.	D741,398 S	10/2015	Echeverri
7,425,065 B2	9/2008	Wang	9,158,116 B1	10/2015	Osterhout et al.
7,582,828 B2	9/2009	Ryan	D744,581 S	12/2015	Votel et al.
7,791,889 B2	9/2010	Belady et al.	D745,007 S	12/2015	Cazalet et al.
7,830,370 B2	11/2010	Yamazaki et al.	D751,551 S	3/2016	Ho et al.
D628,616 S	12/2010	Yuan	D751,552 S *	3/2016	Osterhout D14/372
7,850,301 B2	12/2010	DiChiara et al.	D757,006 S	5/2016	Cazalet et al.
7,855,743 B2	12/2010	Sako et al.	D761,796 S	7/2016	Heinrich
7,928,926 B2	4/2011	Yamamoto et al.	D765,076 S *	8/2016	Rochat D14/372
8,004,765 B2	8/2011	Amitai	9,423,842 B2	8/2016	Osterhout et al.
D645,492 S	9/2011	Zhao	D768,759 S	10/2016	Markovitz et al.
D645,493 S	9/2011	Zhao	D769,873 S *	10/2016	Cazalet D14/372
8,018,579 B1	9/2011	Krah et al.	9,482,880 B1	11/2016	Chandrasekhar et al.
D646,316 S	10/2011	Zhao	9,523,856 B2	12/2016	Osterhout et al.
D647,947 S	11/2011	Yu	9,529,195 B2	12/2016	Osterhout et al.
8,089,568 B1	1/2012	Brown et al.	9,529,199 B2	12/2016	Osterhout et al.
8,092,007 B2	1/2012	DiChiara et al.	9,651,787 B2	5/2017	Haddick et al.
8,166,421 B2	4/2012	Magal et al.	9,651,788 B2	5/2017	Osterhout et al.
D665,838 S	8/2012	Kim et al.	9,651,789 B2	5/2017	Osterhout et al.
D667,482 S	9/2012	Healy et al.	9,672,210 B2	6/2017	Osterhout et al.
D667,483 S	9/2012	Krsmanovic	9,684,172 B2	6/2017	Border et al.
D669,066 S	10/2012	Olsson et al.	D792,400 S *	7/2017	Osterhout D14/372
D671,590 S	11/2012	Klinar et al.	D793,391 S	8/2017	Nakagawa
8,378,924 B2	2/2013	Jacobsen et al.	D793,467 S	8/2017	Krause
D680,152 S	4/2013	Olsson et al.	D794,022 S	8/2017	Limaye et al.
8,427,396 B1	4/2013	Kim	D795,865 S	8/2017	Porter et al.
D685,019 S	6/2013	Li	9,746,676 B2	8/2017	Osterhout et al.
8,494,215 B2	7/2013	Kimchi et al.	D796,504 S	9/2017	Natsume et al.
D692,047 S	10/2013	Shin	D796,506 S	9/2017	Natsume et al.
8,553,910 B1	10/2013	Dong et al.	9,753,288 B2 *	9/2017	Osterhout G06F 3/03547
8,564,883 B2	10/2013	Totani et al.	D800,118 S	10/2017	Xing et al.
D693,398 S	11/2013	Rubin	D803,832 S	11/2017	Lin et al.
8,576,276 B2	11/2013	Bar-Zeev et al.	D806,053 S *	12/2017	Lee D14/205
8,576,491 B2	11/2013	Takagi et al.	9,846,308 B2	12/2017	Osterhout
8,587,869 B2	11/2013	Totani et al.	D807,355 S *	1/2018	Tabata D14/372
8,593,795 B1	11/2013	Chi et al.	9,897,822 B2	2/2018	Osterhout et al.
8,594,467 B2	11/2013	Lu et al.	D824,905 S *	8/2018	Yamada D14/372
8,662,686 B2	3/2014	Takagi et al.	2002/0021498 A1	2/2002	Ohtaka et al.
8,665,214 B2	3/2014	Forutanpour et al.	2002/0054272 A1	5/2002	Ebata et al.
8,670,183 B2	3/2014	Clavin et al.	2002/0152425 A1	10/2002	Chaiken et al.
8,678,581 B2	3/2014	Blum et al.	2003/0030912 A1	2/2003	Gleckman et al.
8,698,157 B2	4/2014	Hanamura	2004/0008158 A1	1/2004	Chi et al.
8,711,487 B2	4/2014	Takeda et al.	2004/0066363 A1	4/2004	Yamano et al.
D704,764 S	5/2014	Markovitz et al.	2004/0132509 A1	7/2004	Glezerman
8,745,058 B1	6/2014	Garcia-Barrio	2005/0264752 A1	12/2005	Howell et al.
8,750,541 B1	6/2014	Dong et al.	2005/0280772 A1	12/2005	Hammock et al.
8,752,963 B2	6/2014	McCulloch et al.	2006/0061542 A1	3/2006	Stokic et al.
8,803,867 B2	8/2014	Oikawa	2006/0109623 A1	5/2006	Harris et al.
8,814,691 B2	8/2014	Osterhout et al.	2006/0239629 A1	10/2006	Qi et al.
8,823,071 B2	9/2014	Oyamada	2007/0296684 A1	12/2007	Thomas et al.
8,832,557 B2	9/2014	Tang et al.	2008/0122736 A1	5/2008	Ronzani et al.
8,837,880 B2	9/2014	Takeda et al.	2008/0125288 A1	5/2008	Case et al.
8,866,702 B1	10/2014	Mirov et al.	2008/0143954 A1	6/2008	Abreu et al.
D716,808 S	11/2014	Yeom et al.	2008/0291277 A1	11/2008	Jacobsen et al.
8,878,749 B1	11/2014	Wu et al.	2009/0013204 A1	1/2009	Kobayashi et al.
D719,568 S	12/2014	Heinrich et al.	2009/0040296 A1	2/2009	Moscato et al.
D719,569 S	12/2014	Heinrich et al.	2009/0108837 A1	4/2009	Johansson et al.
D719,570 S	12/2014	Heinrich et al.	2009/0161062 A1 *	6/2009	Kawanishi G02C 1/04 351/105
D723,092 S	2/2015	Markovitz et al.	2009/0201460 A1 *	8/2009	Blum G02C 5/143 351/158
			2009/0279180 A1	11/2009	Amitai et al.
			2010/0045928 A1	2/2010	Levy et al.

(56)

References Cited

U.S. PATENT DOCUMENTS

2010/0079356 A1 4/2010 Hoellwarth
 2010/0079508 A1 4/2010 Hodge et al.
 2010/0130140 A1 5/2010 Waku et al.
 2010/0149073 A1 6/2010 Chaum et al.
 2010/0259718 A1 10/2010 Hardy
 2010/0309426 A1 12/2010 Howell et al.
 2011/0130958 A1 6/2011 Stahl et al.
 2011/0131495 A1 6/2011 Bull et al.
 2011/0159931 A1 6/2011 Boss et al.
 2011/0164047 A1 7/2011 Pance et al.
 2011/0164163 A1 7/2011 Bilbrey et al.
 2011/0196610 A1 8/2011 Waldman et al.
 2011/0199171 A1 8/2011 Prest et al.
 2011/0201213 A1 8/2011 Dabov et al.
 2011/0202823 A1 8/2011 Berger et al.
 2011/0213664 A1 9/2011 Osterhout et al.
 2011/0234475 A1 9/2011 Endo et al.
 2011/0241975 A1 10/2011 Mukawa et al.
 2011/0285764 A1 11/2011 Kimura et al.
 2012/0026455 A1 2/2012 Takahashi
 2012/0050493 A1 3/2012 Ernst et al.
 2012/0062850 A1 3/2012 Travis
 2012/0162270 A1 6/2012 Fleck et al.
 2012/0169608 A1 7/2012 Forutanpour et al.
 2012/0188245 A1 7/2012 Hyatt et al.
 2012/0206443 A1 8/2012 Kimura et al.
 2012/0212593 A1 8/2012 Na'aman et al.
 2012/0223885 A1 9/2012 Perez
 2012/0242570 A1 9/2012 Kobayashi et al.
 2012/0242698 A1 9/2012 Haddick et al.
 2012/0250152 A1 10/2012 Larson et al.
 2012/0264510 A1 10/2012 Wigdor et al.
 2012/0268449 A1 10/2012 Choi et al.
 2012/0306850 A1 12/2012 Balan et al.
 2012/0307198 A1 12/2012 Ifergan
 2012/0326948 A1 12/2012 Crocco et al.
 2012/0327116 A1 12/2012 Liu et al.
 2013/0009366 A1 1/2013 Hannegan et al.
 2013/0044042 A1 2/2013 Olsson et al.
 2013/0063695 A1 3/2013 Hsieh
 2013/0069985 A1 3/2013 Wong et al.
 2013/0083009 A1 4/2013 Geisner et al.
 2013/0083055 A1 4/2013 Piemonte et al.
 2013/0100259 A1 4/2013 Ramaswamy
 2013/0120841 A1 5/2013 Shpunt et al.
 2013/0135198 A1 5/2013 Hodge et al.
 2013/0154913 A1 6/2013 Genc et al.
 2013/0196757 A1 8/2013 Latta et al.
 2013/0201080 A1 8/2013 Evans et al.
 2013/0201081 A1 8/2013 Evans et al.
 2013/0207970 A1 8/2013 Shpunt et al.
 2013/0230215 A1 9/2013 Gurman et al.
 2013/0235331 A1 9/2013 Heinrich et al.
 2013/0250503 A1 9/2013 Olsson et al.
 2013/0257622 A1 10/2013 Davalos et al.
 2013/0265212 A1 10/2013 Kato et al.
 2013/0265227 A1 10/2013 Julian et al.
 2013/0293580 A1 11/2013 Spivack et al.
 2013/0321265 A1 12/2013 Bychkov et al.
 2013/0321271 A1 12/2013 Bychkov et al.
 2013/0342981 A1 12/2013 Cox et al.
 2014/0028704 A1 1/2014 Wu et al.
 2014/0029498 A1 1/2014 Kim et al.
 2014/0043682 A1 2/2014 Hussey et al.
 2014/0062854 A1 3/2014 Cho
 2014/0111864 A1 4/2014 Margulis et al.
 2014/0129328 A1 5/2014 Mathew
 2014/0146394 A1 5/2014 Tout et al.
 2014/0147829 A1 5/2014 Jerauld
 2014/0152530 A1 6/2014 Venkatesha et al.
 2014/0152558 A1 6/2014 Salter et al.
 2014/0152676 A1 6/2014 Rohn et al.
 2014/0153173 A1 6/2014 Pombo et al.
 2014/0159995 A1 6/2014 Adams et al.
 2014/0160055 A1 6/2014 Margolis et al.

2014/0160157 A1 6/2014 Poulos et al.
 2014/0160170 A1 6/2014 Lyons
 2014/0168735 A1 6/2014 Yuan et al.
 2014/0176603 A1 6/2014 Kumar et al.
 2014/0177023 A1 6/2014 Gao et al.
 2014/0183269 A1 7/2014 Glaser et al.
 2014/0206416 A1 7/2014 Aurongzeb et al.
 2014/0347572 A1 11/2014 Liu et al.
 2014/0375545 A1 12/2014 Finocchio et al.
 2015/0029088 A1 1/2015 Kim et al.
 2015/0042544 A1 2/2015 Sugihara et al.
 2015/0084862 A1 3/2015 Sugihara et al.
 2015/0145839 A1 5/2015 Hack et al.
 2015/0168730 A1 6/2015 Ashkenazi et al.
 2015/0178932 A1 6/2015 Wyatt et al.
 2015/0198807 A1 7/2015 Hirai
 2015/0205117 A1 7/2015 Border et al.
 2015/0205132 A1 7/2015 Osterhout et al.
 2015/0293587 A1 10/2015 Wilairat et al.
 2015/0294627 A1 10/2015 Yoo et al.
 2015/0309317 A1 10/2015 Osterhout et al.
 2015/0309534 A1 10/2015 Osterhout
 2015/0309995 A1 10/2015 Osterhout
 2015/0346496 A1 12/2015 Haddick et al.
 2015/0346511 A1 12/2015 Osterhout et al.
 2015/0347823 A1 12/2015 Monnerat et al.
 2015/0382305 A1 12/2015 Drincic
 2016/0018646 A1 1/2016 Osterhout et al.
 2016/0018647 A1 1/2016 Osterhout et al.
 2016/0018648 A1 1/2016 Osterhout et al.
 2016/0018649 A1 1/2016 Osterhout et al.
 2016/0048025 A1 2/2016 Cazalet
 2016/0078278 A1 3/2016 Moore et al.
 2016/0085278 A1 3/2016 Osterhout et al.
 2016/0103325 A1 4/2016 Mirza et al.
 2016/0131904 A1 5/2016 Border et al.
 2016/0131911 A1 5/2016 Border et al.
 2016/0132082 A1 5/2016 Border et al.
 2016/0133201 A1 5/2016 Border et al.
 2016/0161743 A1 6/2016 Osterhout et al.
 2016/0161747 A1 6/2016 Osterhout
 2016/0171846 A1 6/2016 Brav et al.
 2016/0178904 A1 6/2016 Deleeuw et al.
 2016/0187658 A1 6/2016 Osterhout et al.
 2016/0209674 A1 7/2016 Montalban
 2016/0246055 A1 8/2016 Border et al.
 2016/0370606 A1 12/2016 Huynh
 2017/0031395 A1 2/2017 Osterhout et al.
 2017/0219831 A1 8/2017 Haddick et al.
 2017/0220865 A1 8/2017 Osterhout et al.
 2017/0227778 A1 8/2017 Osterhout
 2017/0227793 A1 8/2017 Abreu
 2017/0235133 A1 8/2017 Border et al.
 2017/0235134 A1 8/2017 Border et al.
 2017/0337187 A1 11/2017 Osterhout
 2017/0351098 A1 12/2017 Osterhout et al.
 2018/0003988 A1 1/2018 Osterhout
 2018/0059434 A1 3/2018 Heisey et al.

FOREIGN PATENT DOCUMENTS

EP 777867 A1 6/1997
 EP 2486450 A1 8/2012
 EP 2502410 A1 9/2012
 JP 2009171505 A 7/2009
 JP 5017989 B2 9/2012
 JP 2012212990 A 11/2012
 KR 1020110101944 A 9/2011
 WO 2011143655 A1 11/2011
 WO 2012058175 A1 5/2012
 WO 2013050650 A1 4/2013
 WO 2013103825 A1 7/2013
 WO 2013110846 A1 8/2013
 WO 2013170073 A1 11/2013
 WO 2013176079 A1 11/2013
 WO 2016073734 A1 5/2016
 WO 2016205601 A1 12/2016

(56)

References Cited

FOREIGN PATENT DOCUMENTS

WO	2017100074	A1	6/2017
WO	2018044537	A1	3/2018

OTHER PUBLICATIONS

US 8,792,178, 07/2014, Totani et al. (withdrawn)
 "Audio Spotlight", by Holosonics, <http://www.holosonics.com>, accessed Jul. 3, 2014, 3 pages.
 "Sound from Ultrasound", Wikipedia entry, http://en.m.wikipedia.org/wiki/Sound_from_ultrasound, accessed Jul. 3, 2014, 13 pages.
 15857713.0, "European Application Serial No. 15857713.0, Extended European Search Report Received dated Oct. 16, 2017", Osterhout Group, Inc., 7 Pages.
 Clements-Cortes, Amy et al., "Short-Term Effects of Rhythmic Sensory Stimulation in Alzheimer's Disease: An Exploratory Pilot Study", *Journal of Alzheimer's Disease* 52 (2016) DOI 10.3233/JAD-160081 IOS Press, Handling Associate Editor: George Acquah-Mensah, Feb. 9, 2016, 651-660.
 Osterhout, Ralph , "Commercial and Social Implications", <https://infinityleap.com/interview-the-ceo-of-osterhout-design-group-ralph-osterhout/>, Aug. 26, 2017, 12 pages.
 PCT/US2015/059264, "International Application Serial No. PCT/US2015/059264, International Preliminary Report on Patentability and Written Opinion dated May 18, 2017", Osterhout Group, Inc., 8 Pages.

PCT/US2015/059264, "International Application Serial No. PCT/US2015/059264, International Search Report and Written Opinion dated Feb. 19, 2016", Osterhout Group, Inc., 11 Pages.
 PCT/US2016/038008, "Application Serial No. PCT/US2016/038008, International Search Report and Written Opinion dated Oct. 27, 2016", Osterhout Group, Inc., 8 pages.
 PCT/US2016/038008, "International Application Serial No. PCT/US2016/038008, International Preliminary Report on Patentability dated Dec. 28, 2017", Osterhout Group, Inc., 6 Pages.
 PCT/US2016/064441, "Application Serial No. PCT/US2016/064441, International Search Report and Written Opinion dated Feb. 7, 2017", Osterhout Group, Inc., 11 pages.
 PCTUS2017046701, "Application Serial No. PCTUS2017046701, International Search Report and the Written Opinion dated Nov. 6, 2017", 7 pages.
 Schedwill, "Bidirectional OLED Microdisplay", Fraunhofer Research Institution for Organics, Materials and Electronic Device Comedd, Apr. 11, 2014, 2 pages.
 Vogel, et al., "Data glasses controlled by eye movements", Information and communication, Fraunhofer-Gesellschaft, Sep. 22, 2013, 2 pages.
 Ye, Hui et al., "High Quality Voice Morphing", Cambridge University Engineering Department Trumpington Street, Cambridge, England, CB2 1PZ, 2004, pp. I-9-I-11.

* cited by examiner

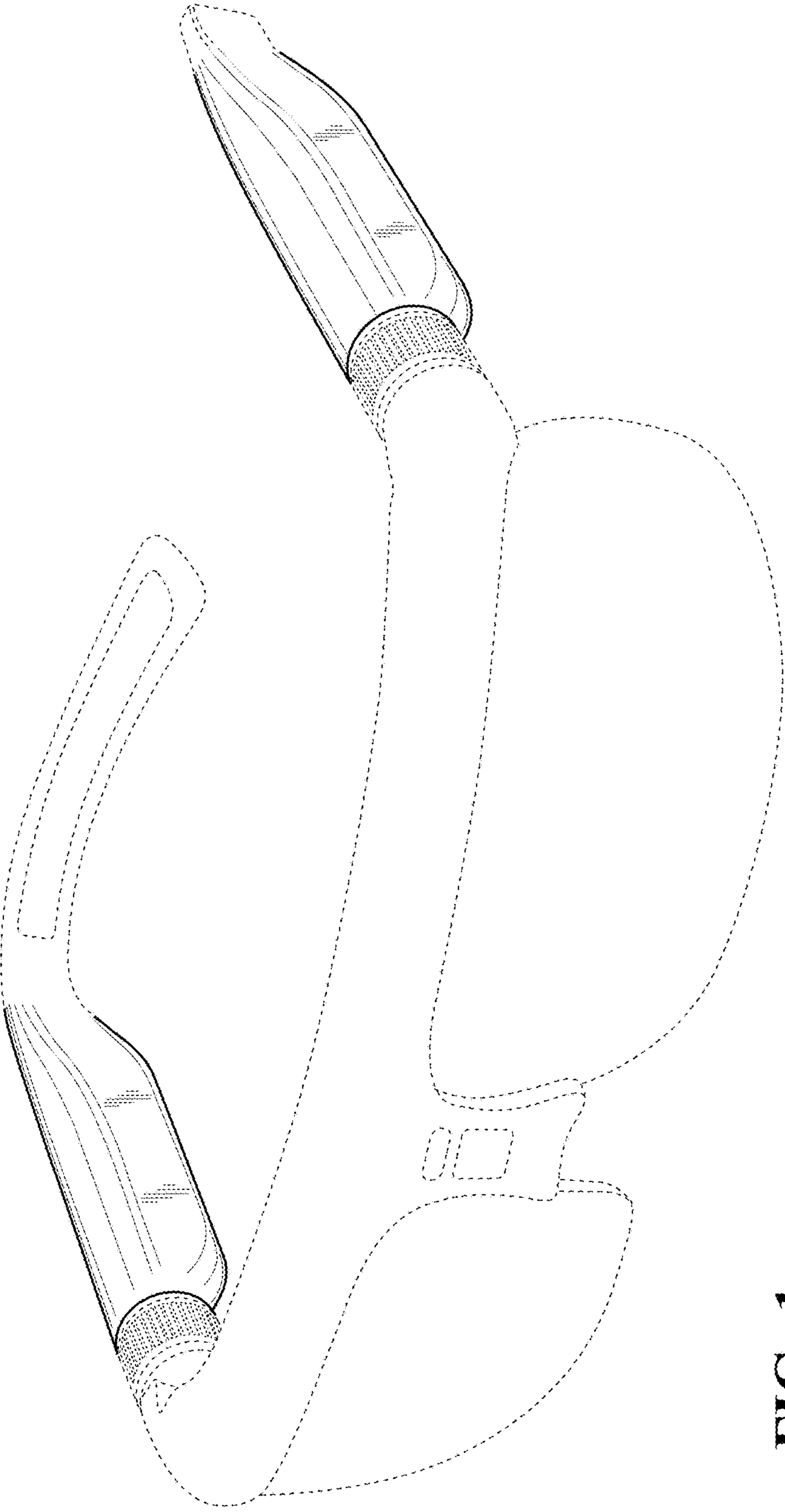


FIG. 1

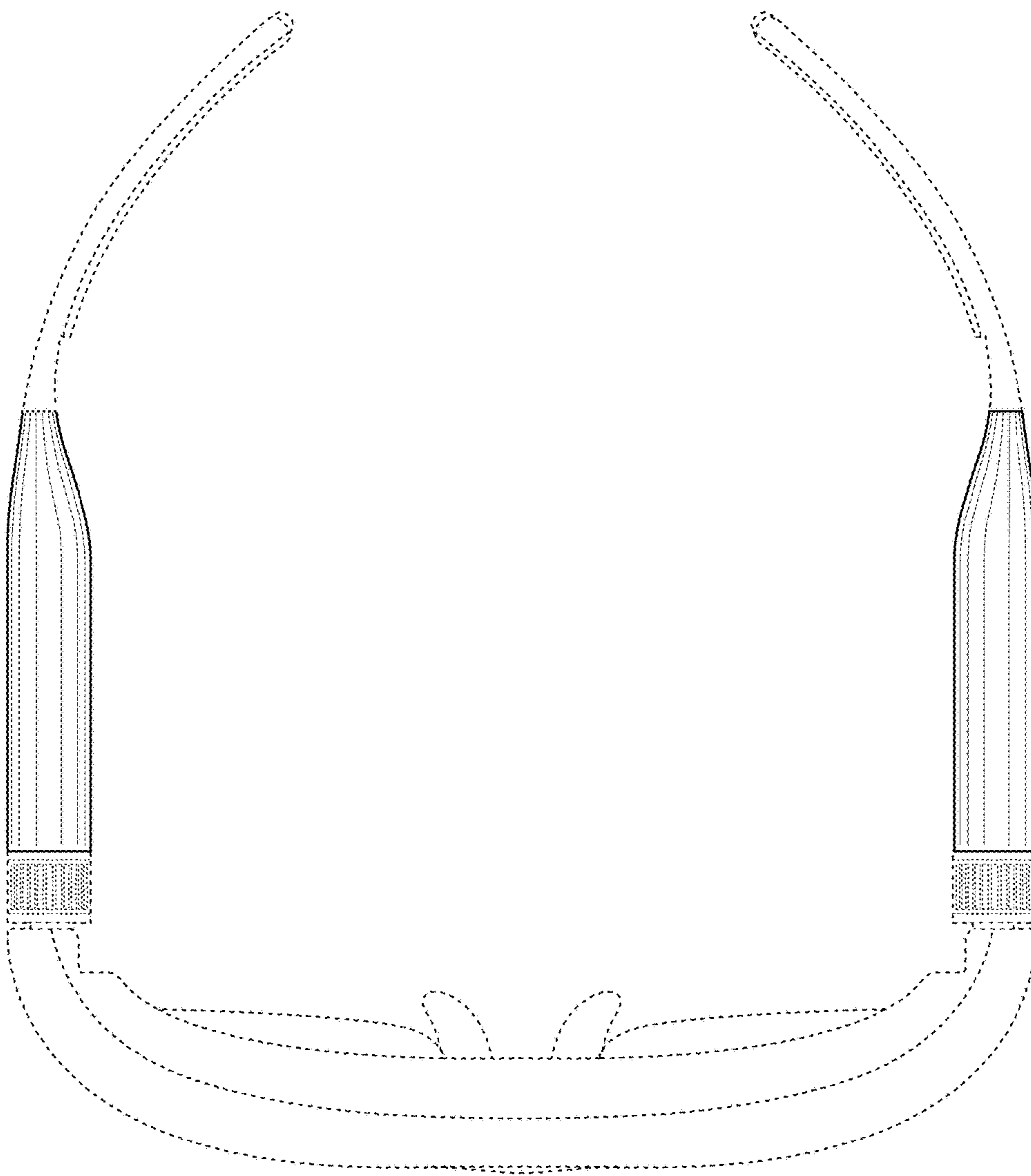


FIG. 2

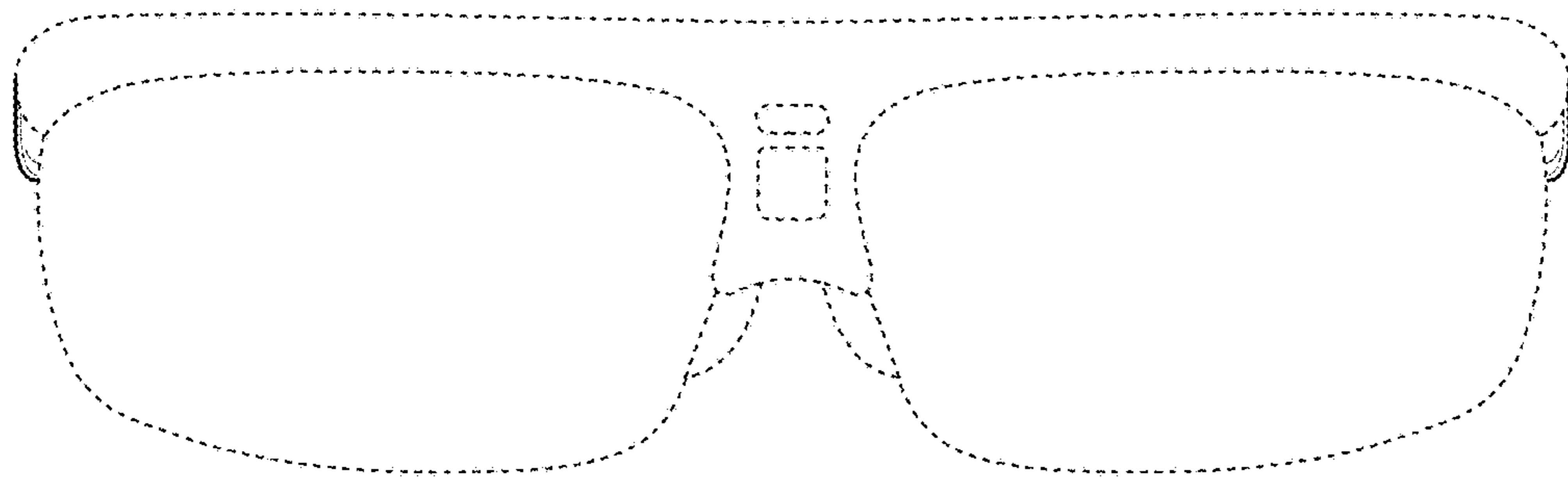


FIG. 3

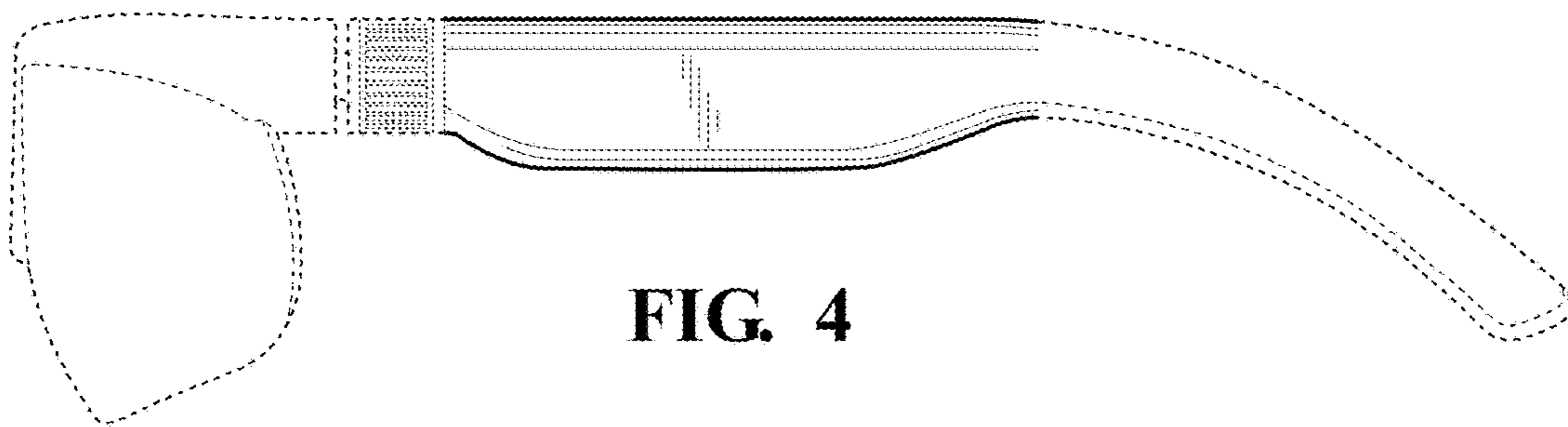


FIG. 4

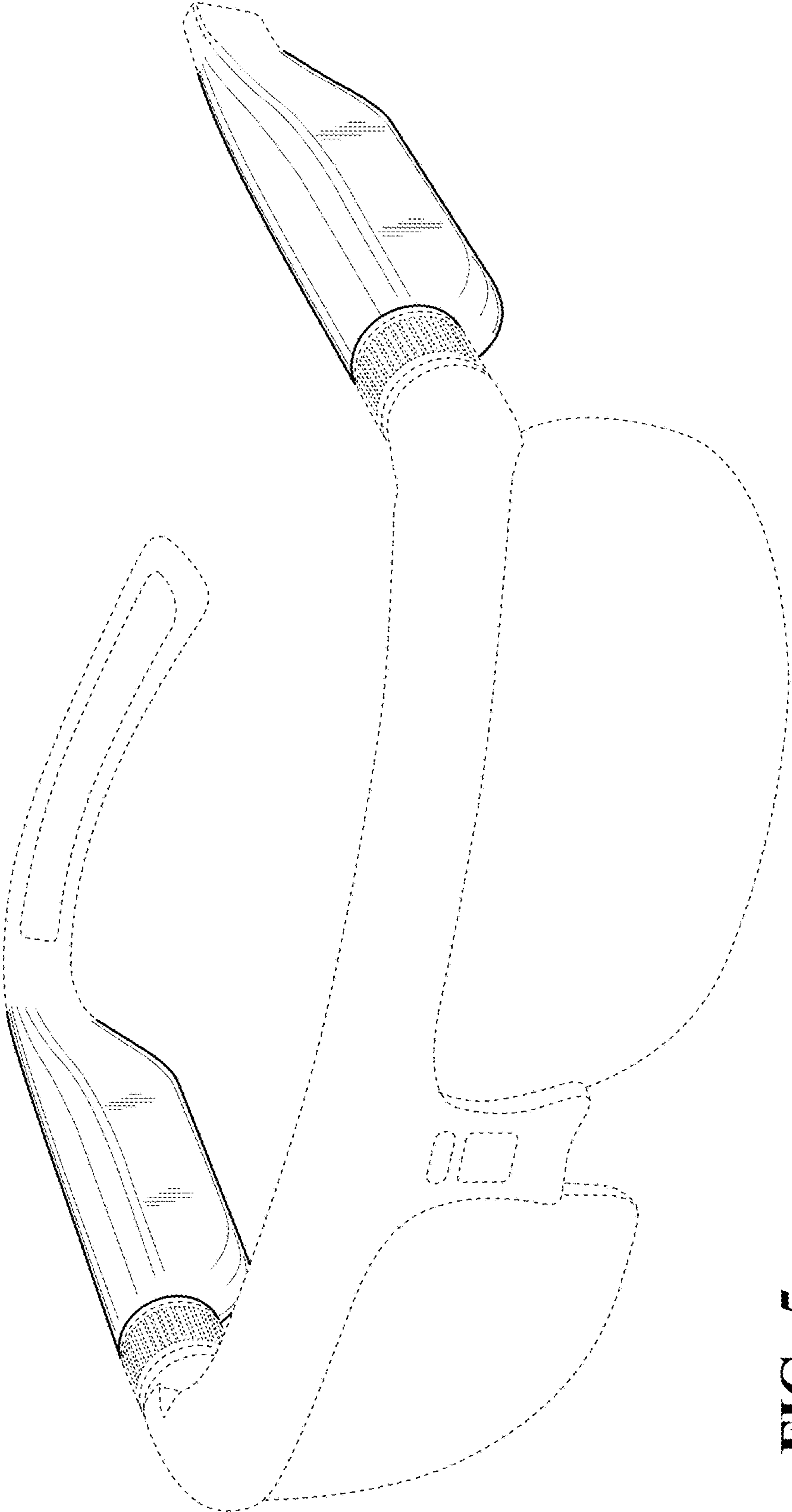


FIG. 5

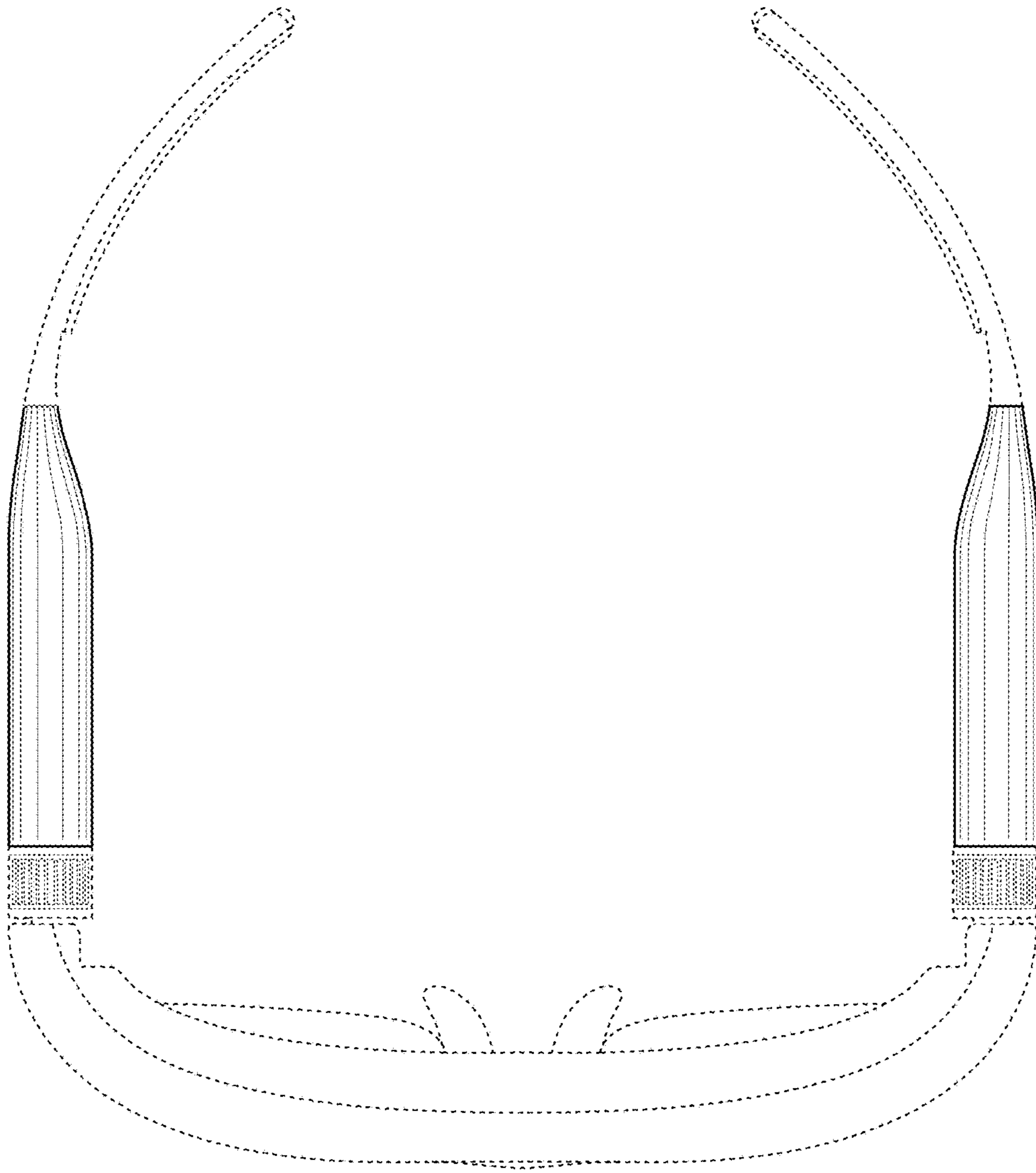


FIG. 6

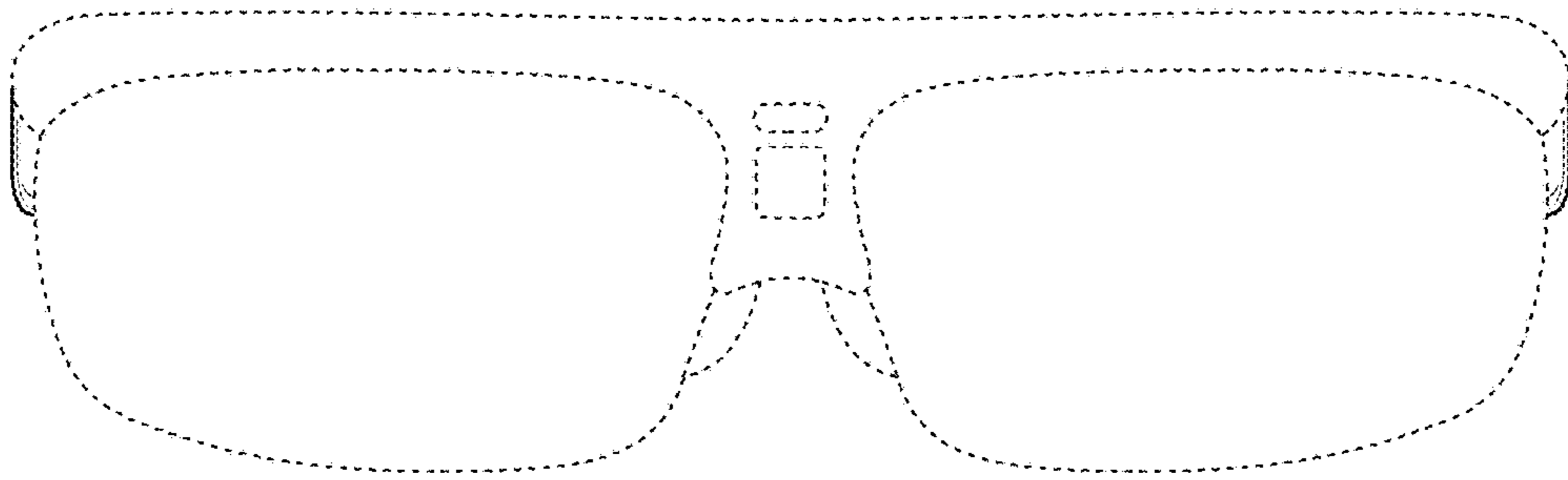


FIG. 7

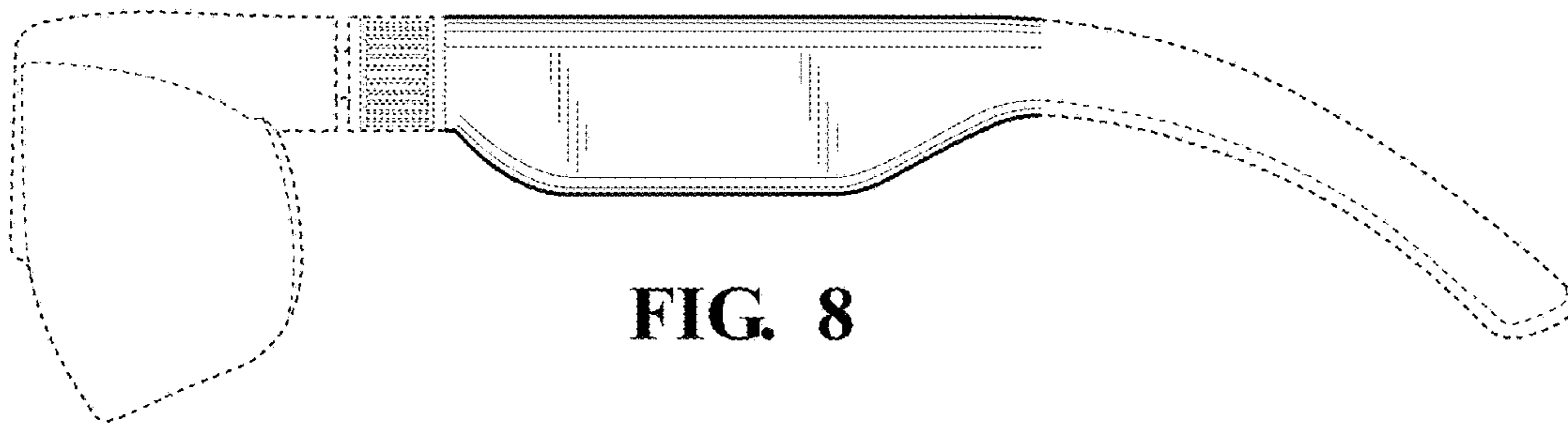


FIG. 8