



US00D840391S

(12) **United States Design Patent**  
**Son et al.**

(10) **Patent No.:** **US D840,391 S**  
(45) **Date of Patent:** **\*\* Feb. 12, 2019**

(54) **DESKTOP COMPUTER**

(71) Applicant: **Samsung Electronics Co., Ltd.**,  
Suwon-si (KR)

(72) Inventors: **Jong-Deuk Son**, Incheon-si (KR);  
**Jin-man Chung**, Gwacheon-si (KR);  
**Jung-Hyun Park**, Gwacheon-si (KR);  
**Ye-Ran Ji**, Seoul (KR)

(73) Assignee: **Samsung Electronics Co., Ltd.**,  
Suwon-si (KR)

(\*\*) Term: **15 Years**

(21) Appl. No.: **29/598,989**

(22) Filed: **Mar. 30, 2017**

(51) **LOC (11) Cl.** ..... **14-02**

(52) **U.S. Cl.**  
USPC ..... **D14/336**

(58) **Field of Classification Search**  
USPC ..... D14/336, 341, 447-452, 371, 373, 374,  
D14/375, 376, 377, 126, 127, 128, 129  
(Continued)

(56) **References Cited**

**U.S. PATENT DOCUMENTS**

7,336,478 B2 \* 2/2008 Jang ..... F16M 11/045  
248/917  
D585,062 S \* 1/2009 Ding ..... D14/375  
(Continued)

**FOREIGN PATENT DOCUMENTS**

KR 20030064082 A \* 7/2003 ..... F16M 11/10

**OTHER PUBLICATIONS**

Amazon. Link: [https://www.amazon.com/HP-22er-21-5-inch-Backlit-Monitor/dp/B01F6V6SSK/ref=sr\\_1\\_14?s=pc&ie=UTF8&qid=1536324599&sr=1-14&keywords=computer+monitor&refinements=](https://www.amazon.com/HP-22er-21-5-inch-Backlit-Monitor/dp/B01F6V6SSK/ref=sr_1_14?s=pc&ie=UTF8&qid=1536324599&sr=1-14&keywords=computer+monitor&refinements=)

p\_n\_size\_browse-bin%3A2633653011. May 5, 2016. HP 22er 21.5-inch LED Backlit Monitor. (Year: 2016).\*

*Primary Examiner* — Bridget L Eland

*Assistant Examiner* — Lauren D McVey

(74) *Attorney, Agent, or Firm* — NSIP Law

(57) **CLAIM**

We claim the ornamental design for a desktop computer, as shown and described.

**DESCRIPTION**

FIG. 1 is a front perspective view of a desktop computer showing our new design;

FIG. 2 is a front elevational view thereof;

FIG. 3 is a rear elevational view thereof;

FIG. 4 is a left-side elevational view thereof;

FIG. 5 is a right-side elevational view thereof;

FIG. 6 is a top plan view thereof;

FIG. 7 is a bottom plan view thereof;

FIG. 8 is a rear perspective view thereof;

FIG. 9 is a right-side elevational view of the desktop computer of FIG. 1, shown in an alternate position;

FIG. 10 is an enlarged view of the encircled portion in FIG. 1;

FIG. 11 is an enlarged view of the encircled portion in FIG. 2;

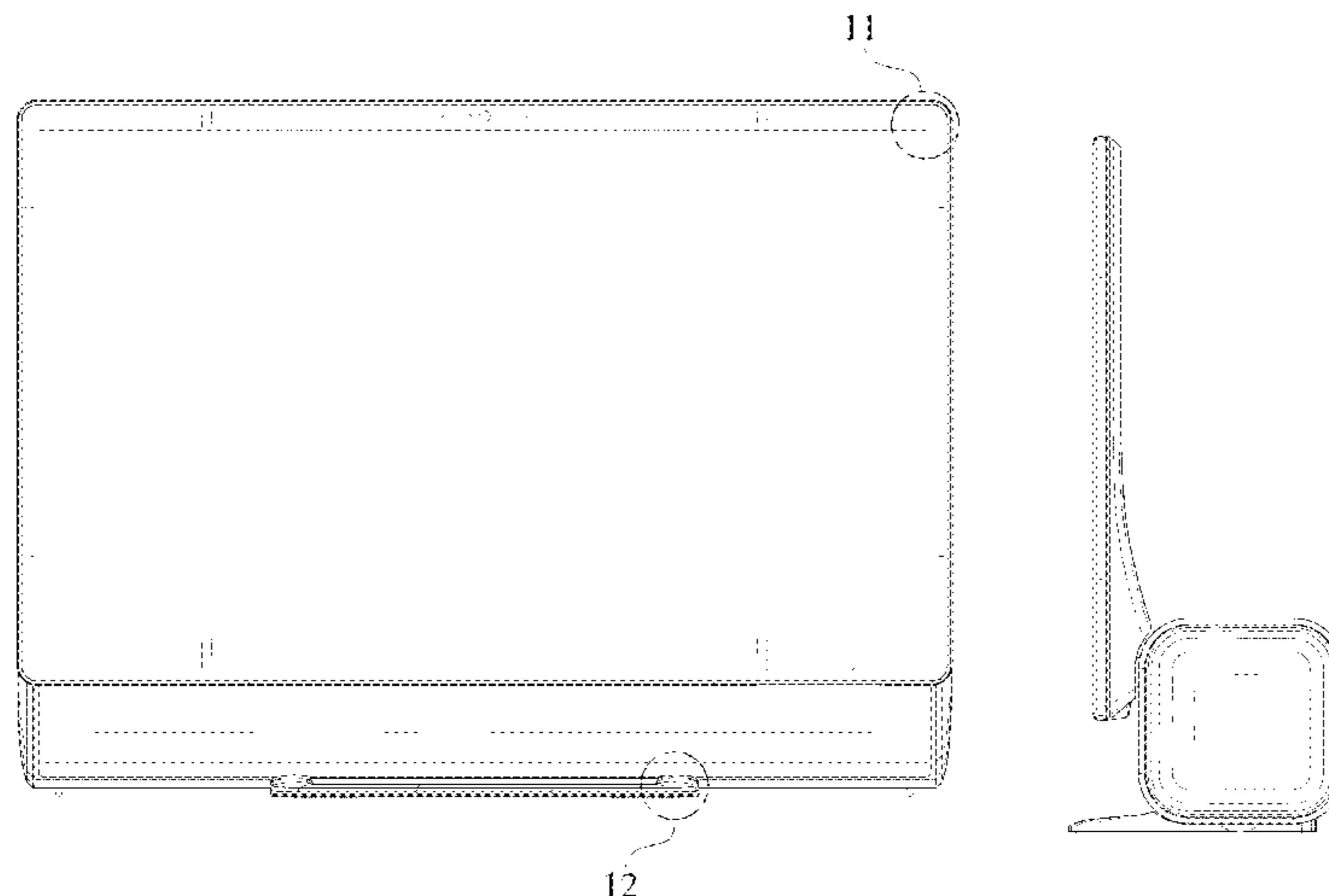
FIG. 12 is an enlarged view of the encircled portion in FIG. 2;

FIG. 13 is an enlarged view of the encircled portion in FIG. 4; and,

FIG. 14 is an enlarged view of the encircled portion in FIG. 7.

The dot-dash broken lines encircling portions of the claimed design in FIGS. 1, 2, 4, and 7 that are illustrated in enlargements in FIGS. 10, 11, 12, 13, and 14 form no part of the claimed design. The broken lines immediately adjacent to the shaded areas represent the bounds of the claimed design while all other broken lines are directed to environment and are for illustrative purposes only; the broken lines form no part of the claimed design.

**1 Claim, 14 Drawing Sheets**



(58) **Field of Classification Search**

CPC ..... G06F 1/1601; G06F 1/1605; G06F 1/162  
See application file for complete search history.

(56) **References Cited**

U.S. PATENT DOCUMENTS

D585,401 S *	1/2009	Otani .....	D14/126
D647,898 S *	11/2011	Haller .....	D14/336
D661,303 S *	6/2012	Fukusawa .....	D14/371
D680,108 S *	4/2013	Kumagai .....	D14/336
D682,272 S *	5/2013	Kim .....	D14/374
D732,032 S *	6/2015	Lee .....	D14/336
D751,047 S *	3/2016	Ren .....	D14/126
D784,331 S *	4/2017	Balch .....	D14/371
D805,049 S *	12/2017	Lim .....	D14/126
D805,050 S *	12/2017	Lim .....	D14/126
2017/0329364 A1 *	11/2017	Kim .....	G06F 1/16

\* cited by examiner

FIG. 1

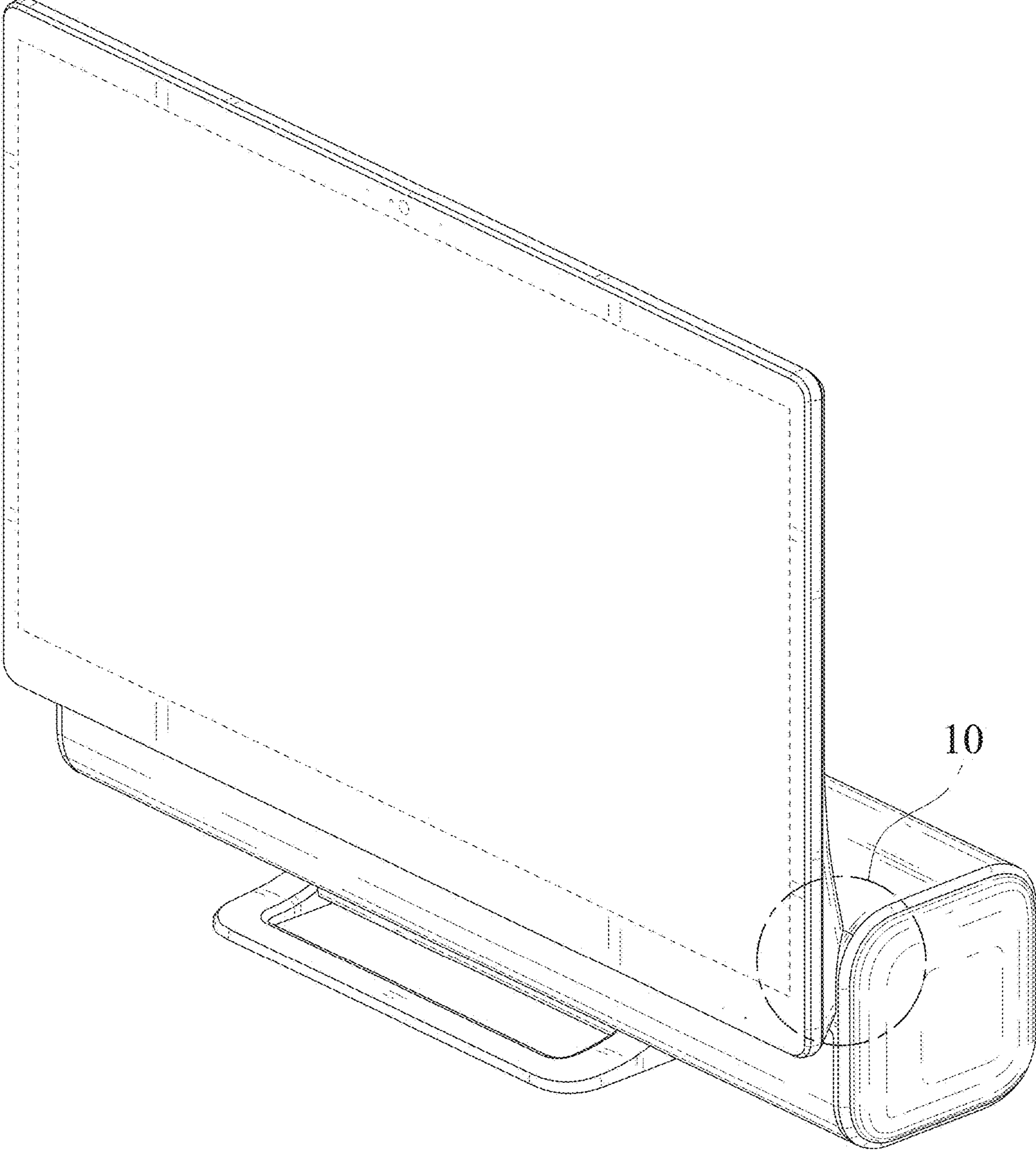


FIG. 2

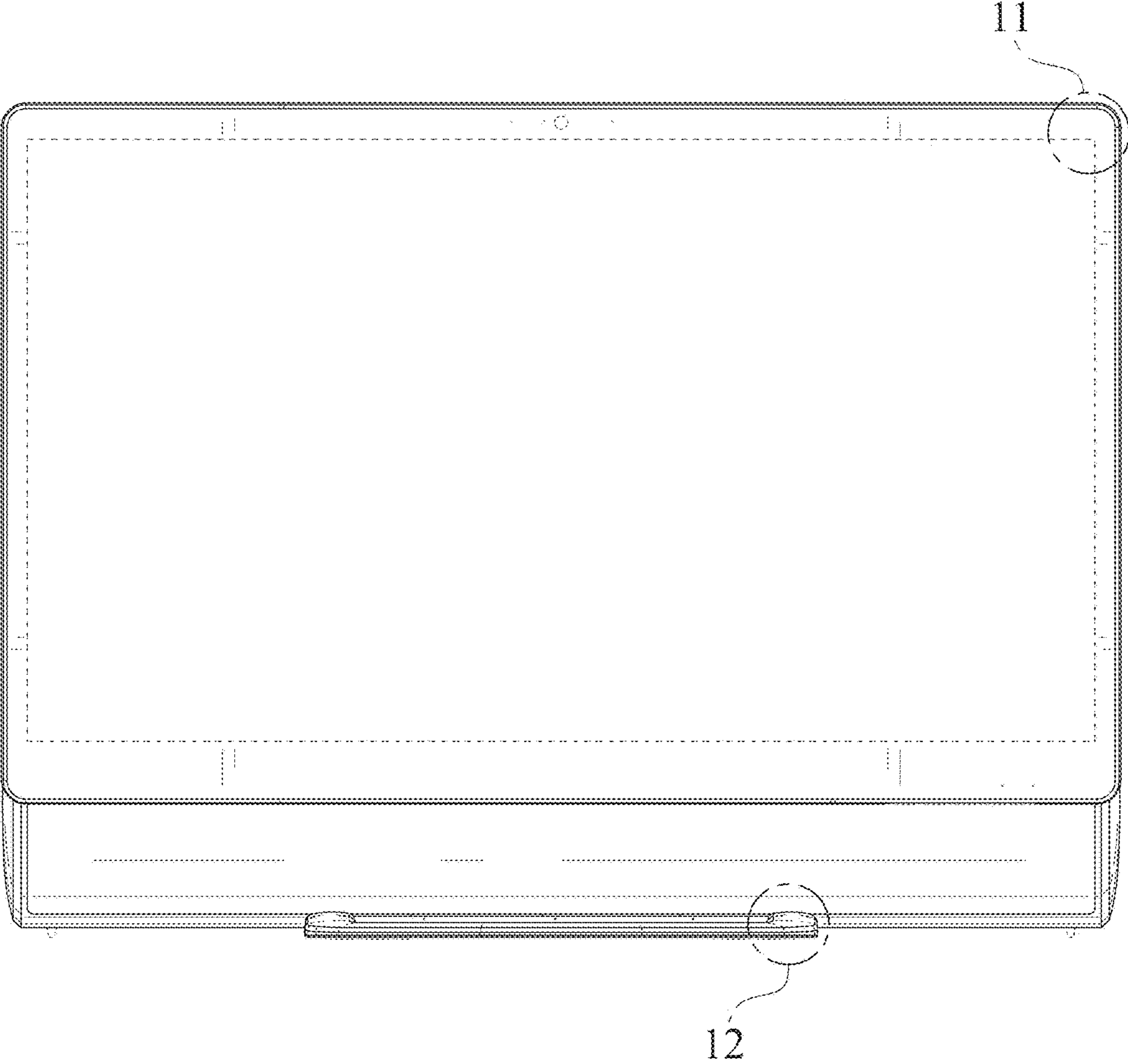


FIG. 3



FIG. 4

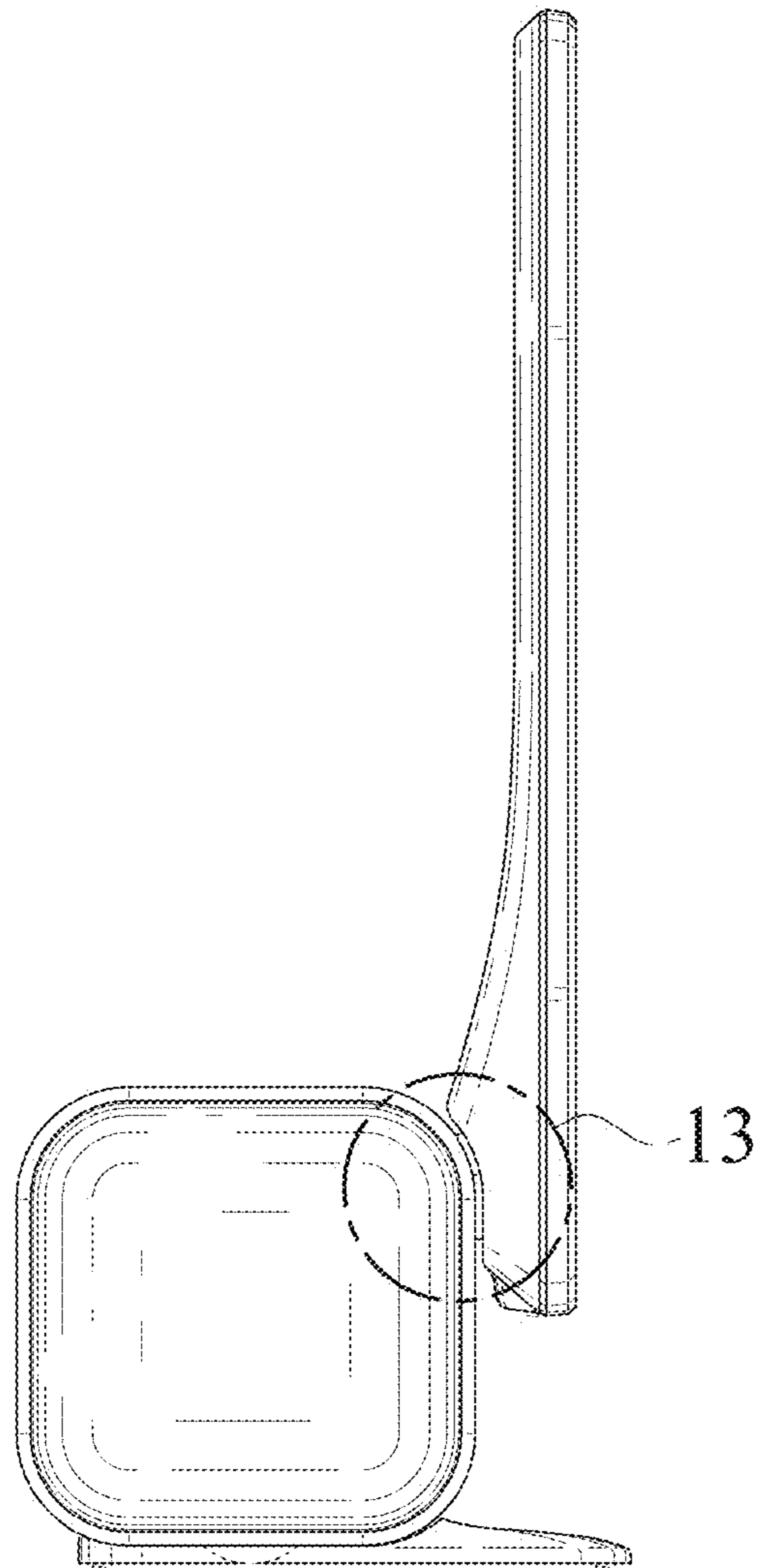




FIG. 5

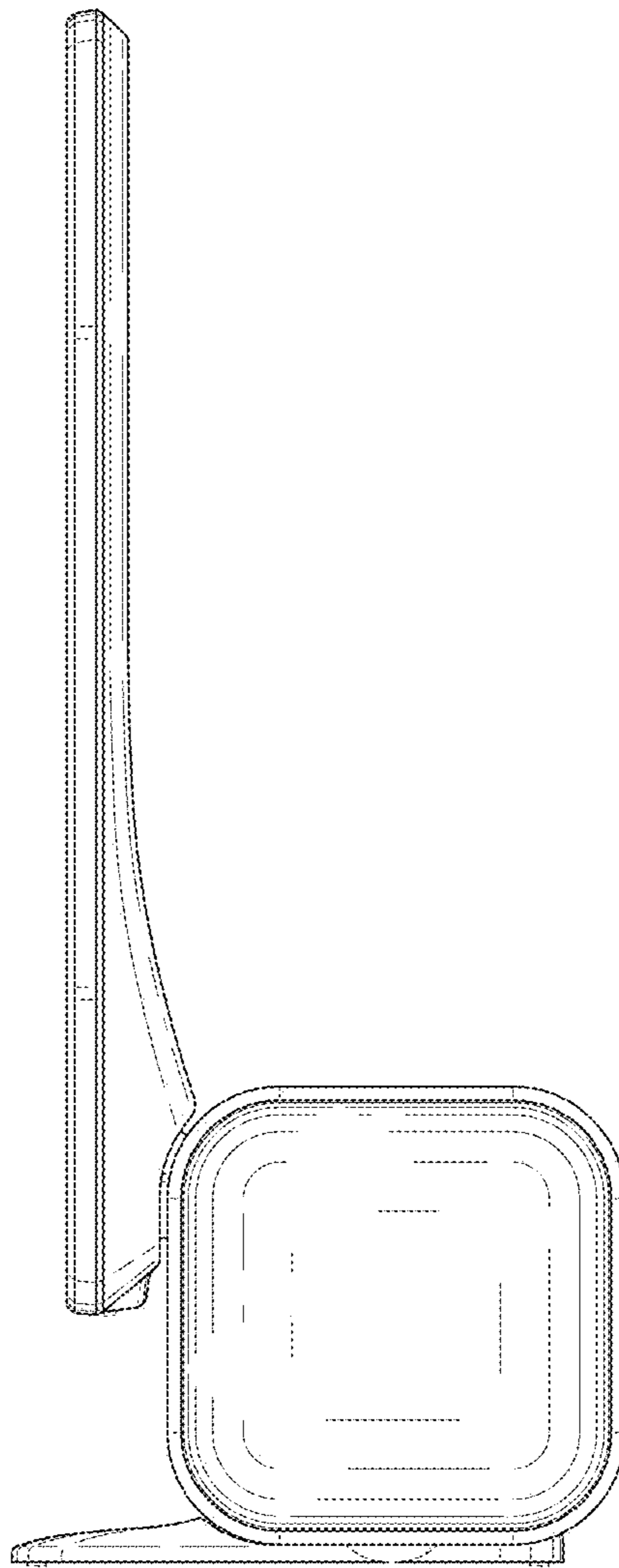


FIG. 6

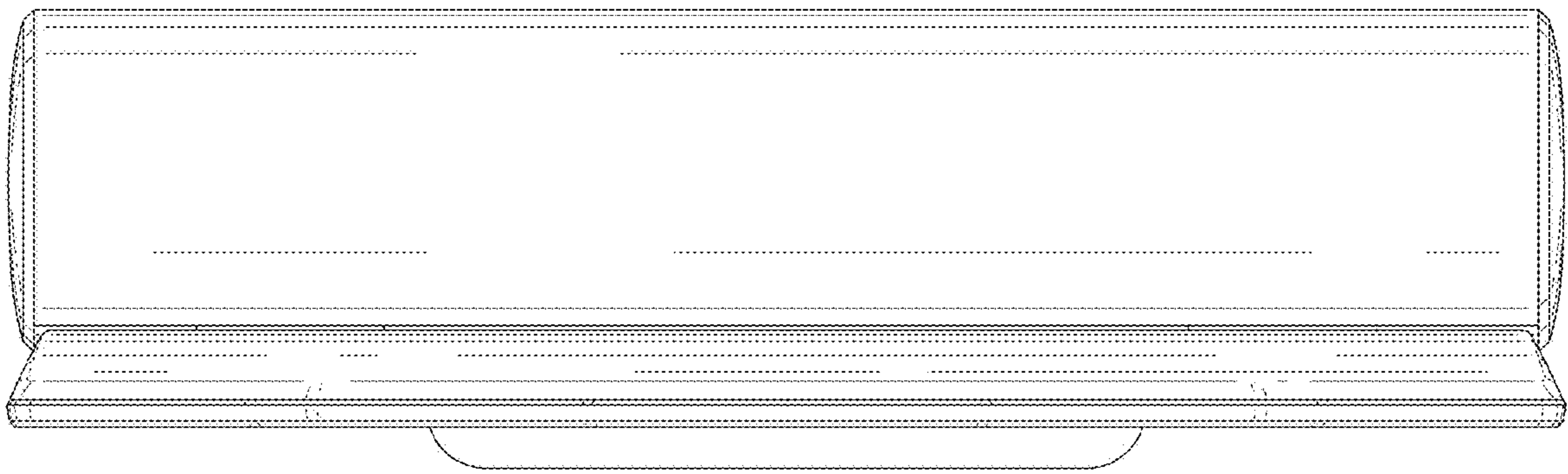




FIG. 7

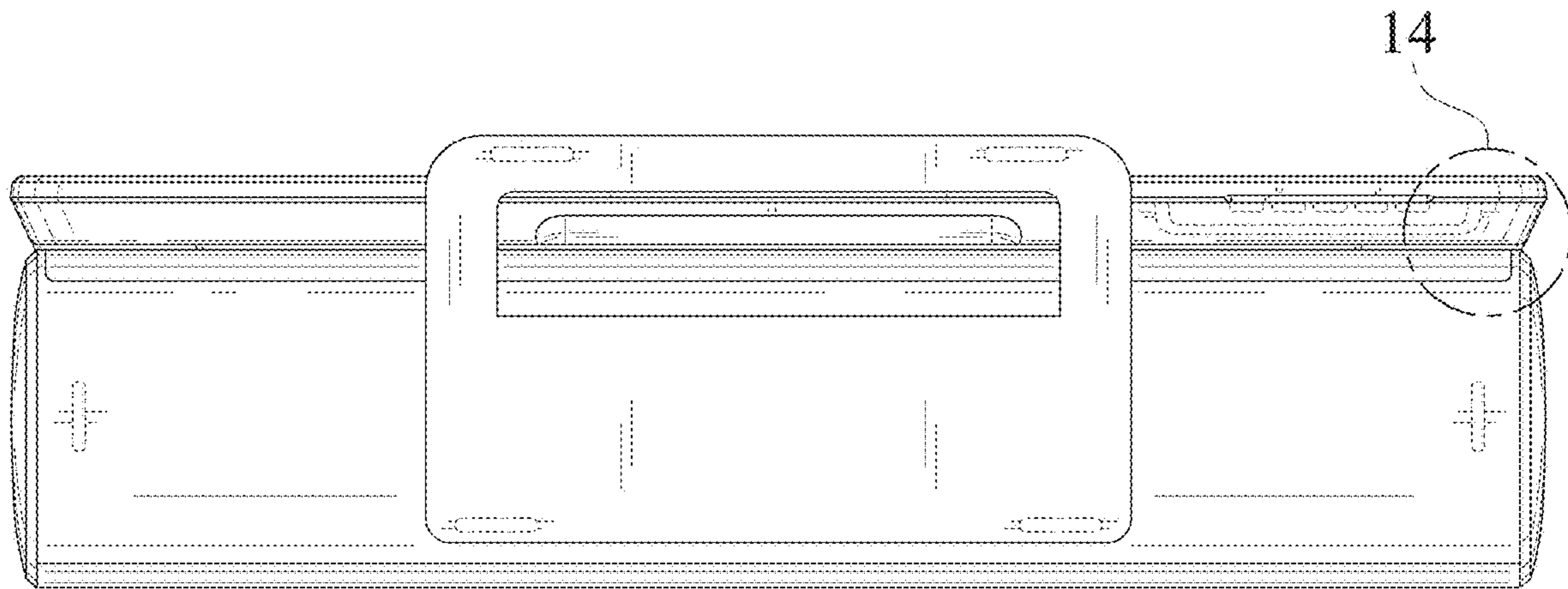


FIG. 8

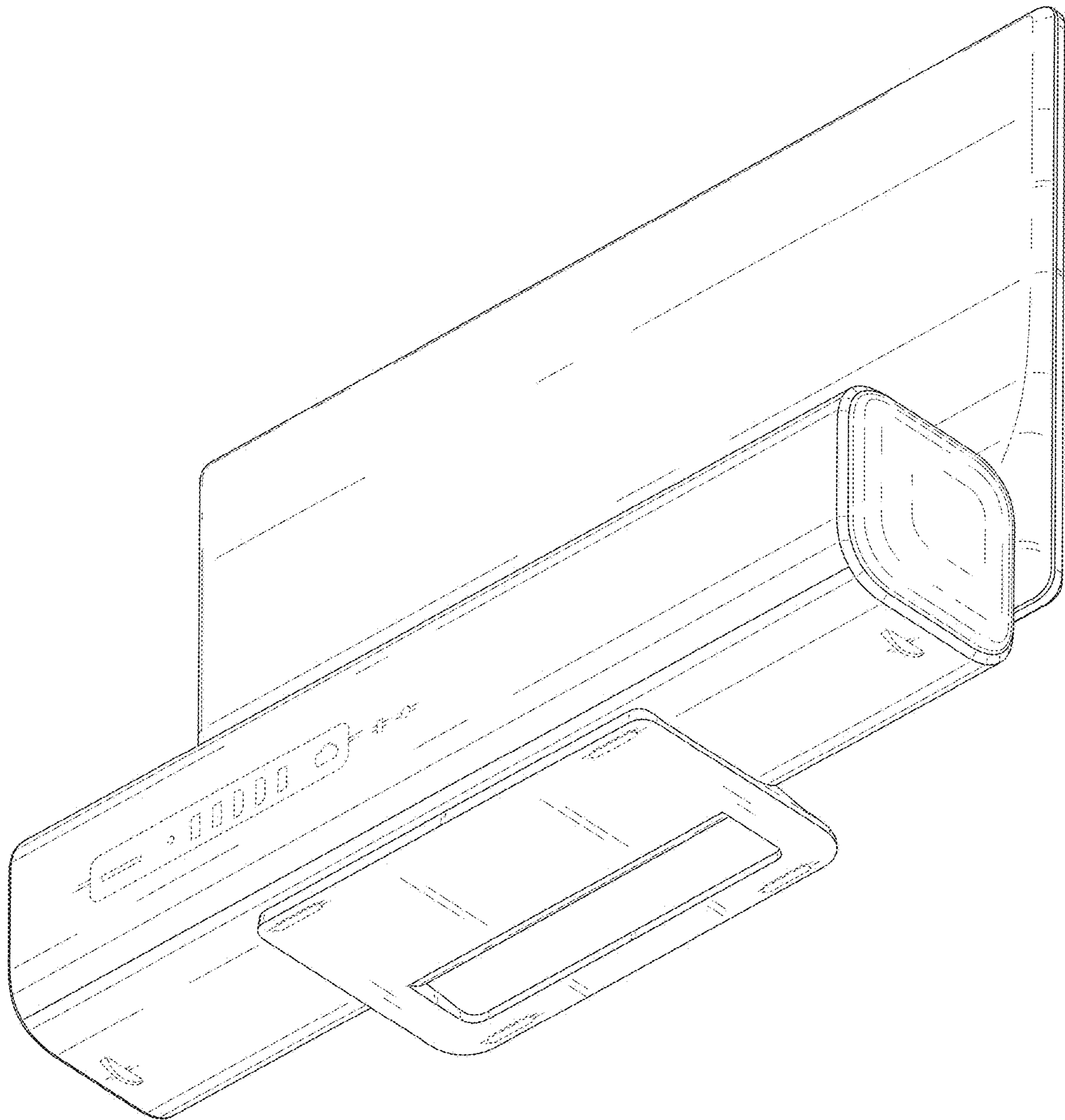


FIG. 9

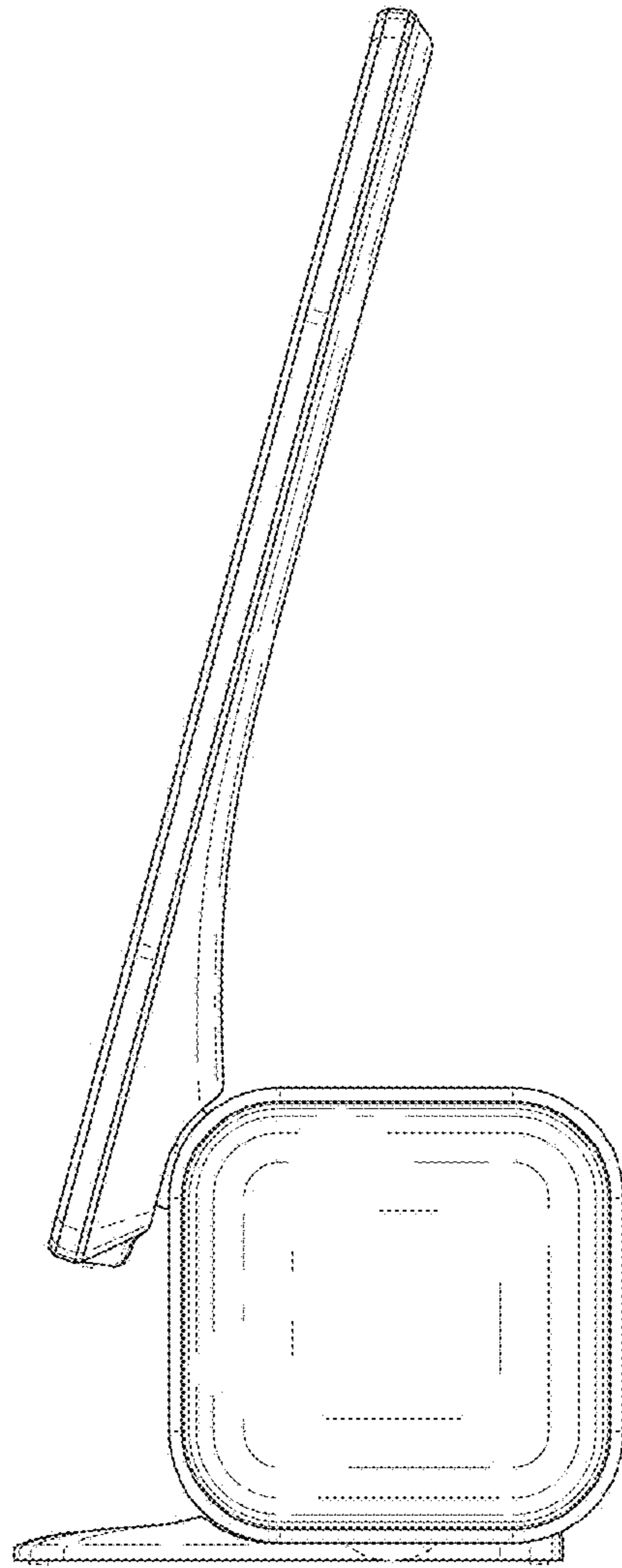


FIG. 10

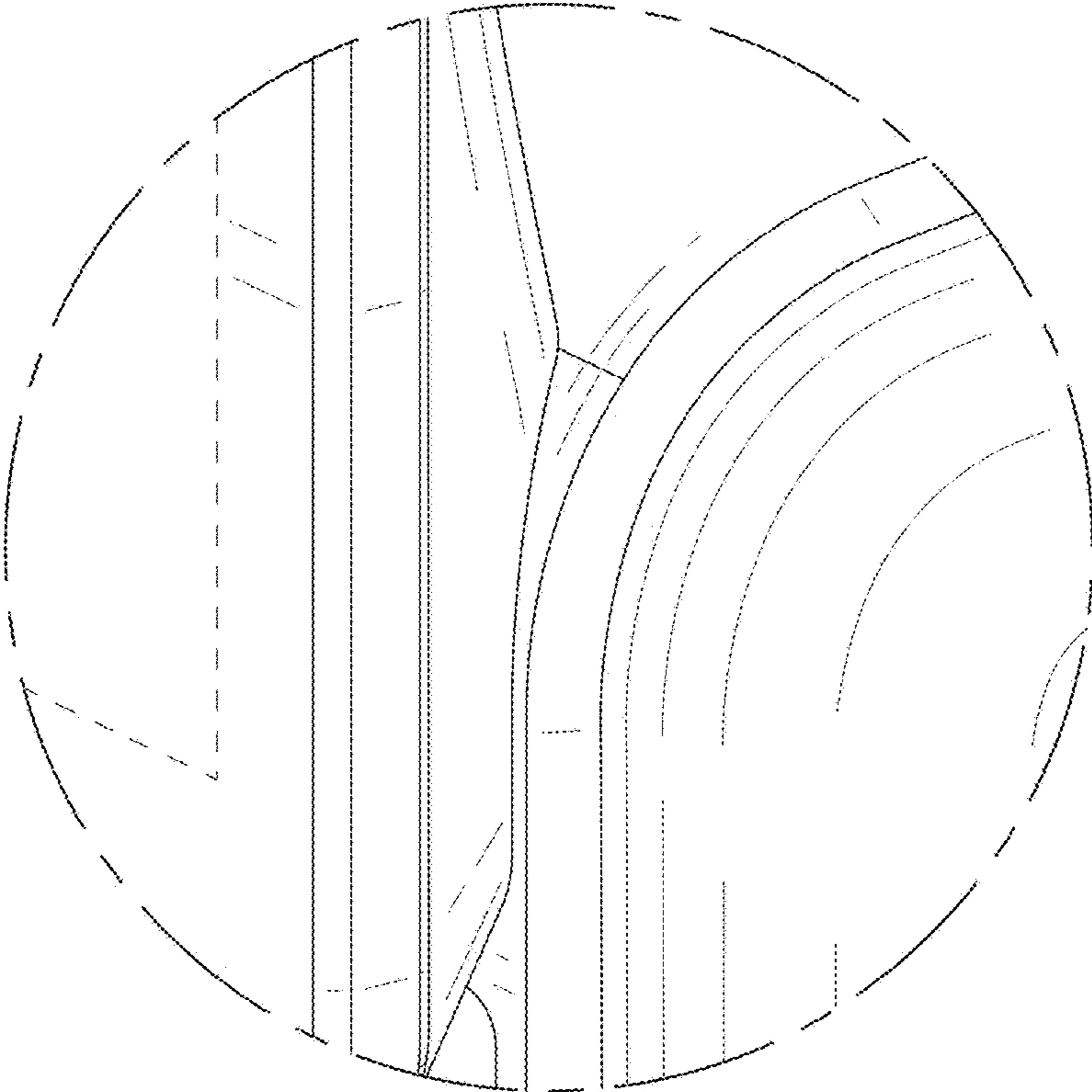


FIG. 11

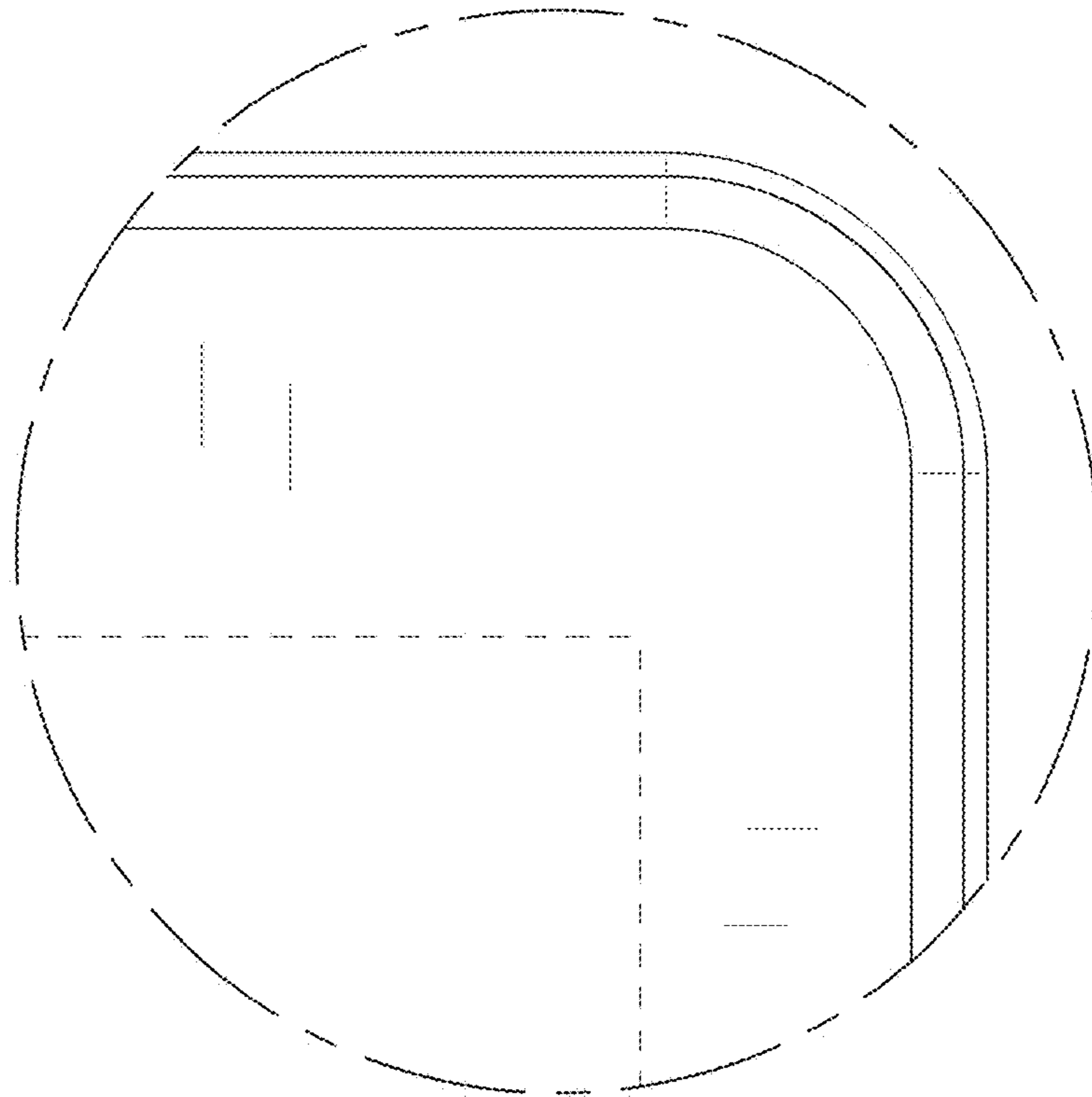


FIG. 12

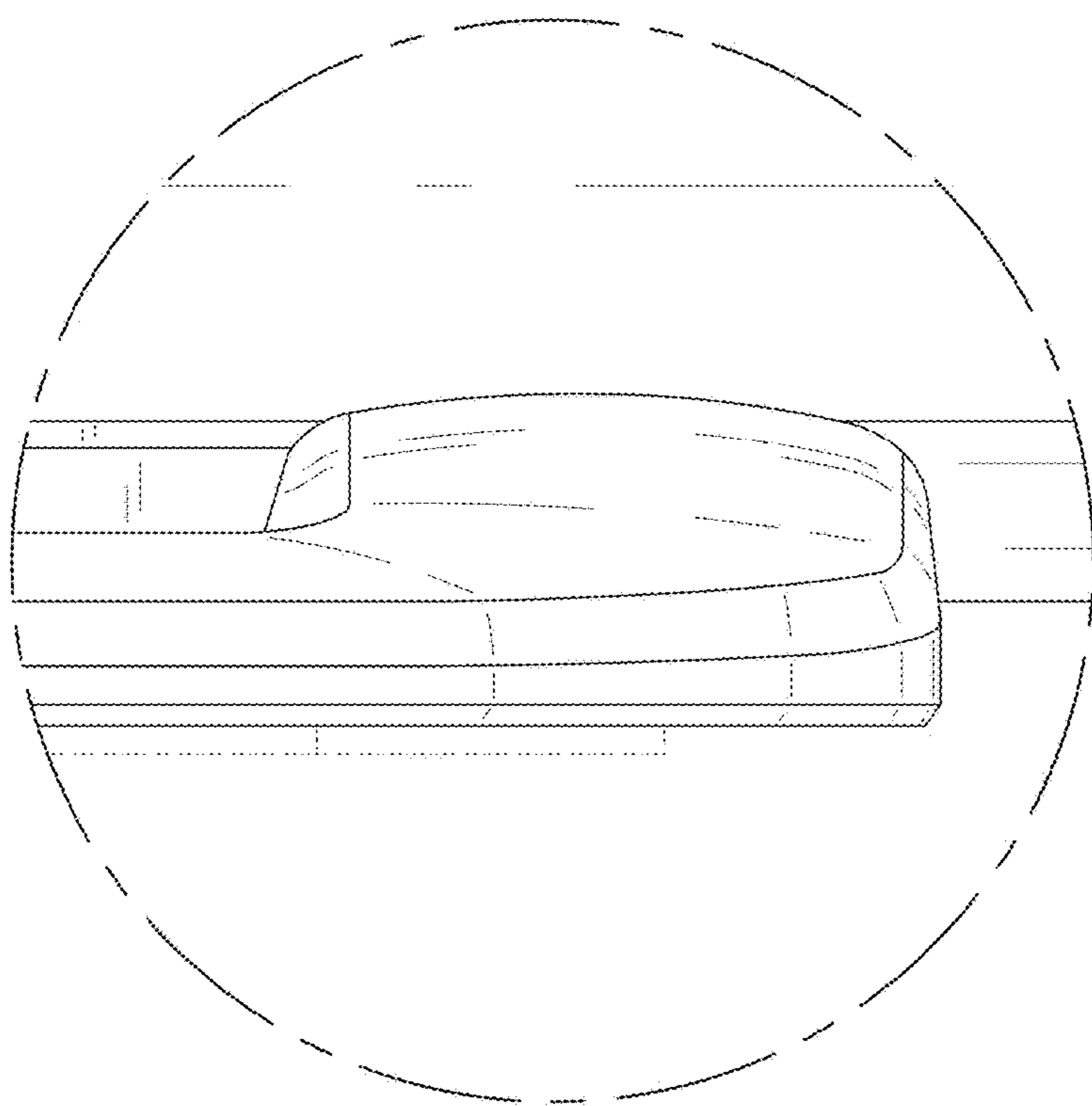




FIG. 13

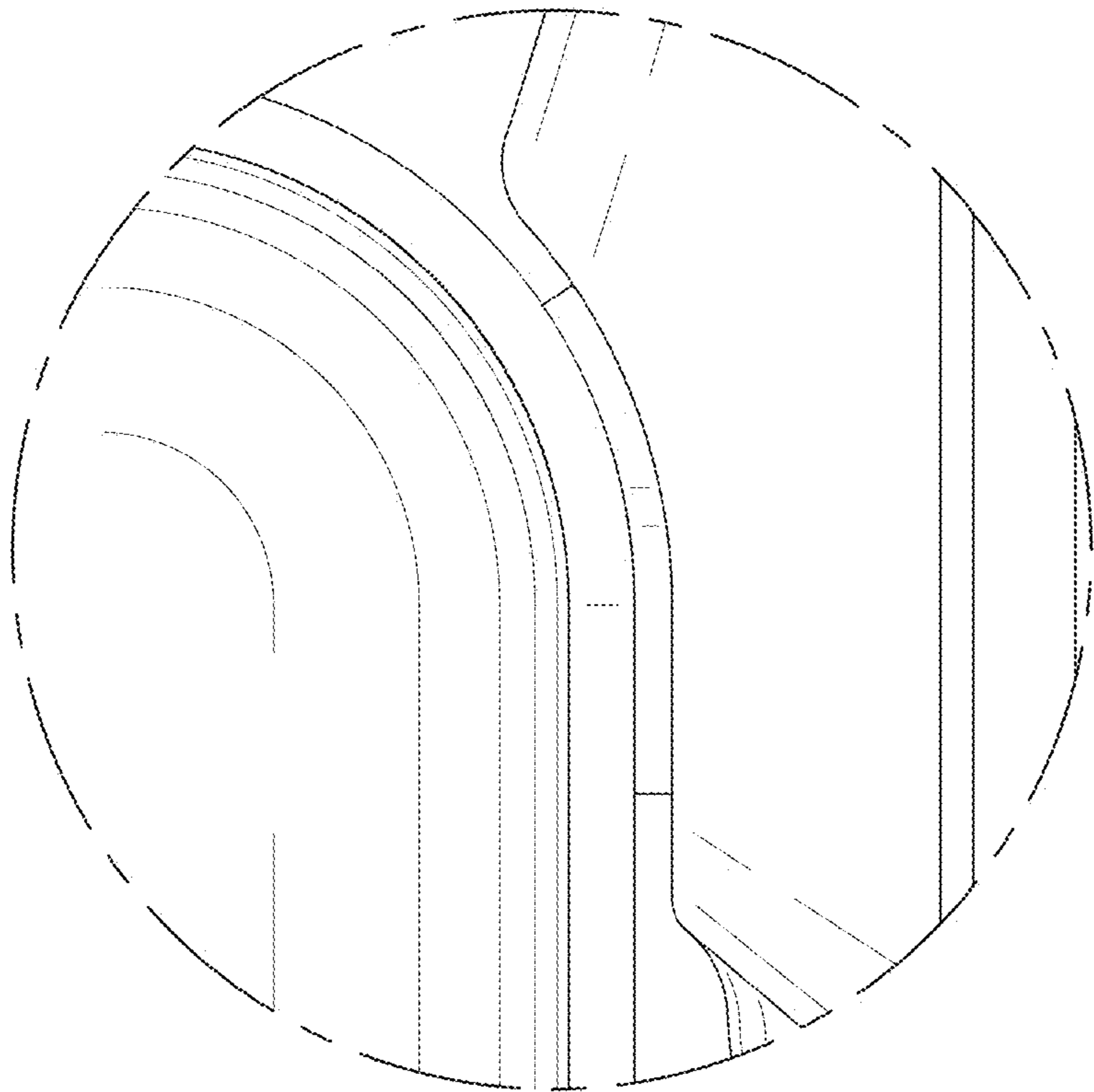


FIG. 14

