



US00D840390S

(12) **United States Design Patent**
Mangeot

(10) **Patent No.:** **US D840,390 S**

(45) **Date of Patent:** **** Feb. 12, 2019**

(54) **MULTI-SERVICE AND INTERACTIVE DIGITAL TERMINAL**

(71) Applicant: **AKSOR**, Saint-Thibault-des-Vignes (FR)

(72) Inventor: **Jacques Mangeot**, London (GB)

(73) Assignee: **AKSOR**, Saint-Thibault-des-Vignes (FR)

(**) Term: **15 Years**

(21) Appl. No.: **35/503,106**

(22) Filed: **Jan. 12, 2017**

(80) **Hague Agreement Data**

Int. Filing Date: **Jan. 12, 2017**

Int. Reg. No.: **DM/096216**

Int. Reg. Date: **Jan. 12, 2017**

Int. Reg. Pub. Date: **Jun. 9, 2017**

(51) **LOC (11) Cl.** **14-02**

(52) **U.S. Cl.**
USPC **D14/307**

(58) **Field of Classification Search**
USPC D14/302-307, 900-902
CPC G06Q 20/18; G06Q 20/10; G06Q 20/123;
G06Q 20/20; G06Q 30/02; G06Q 30/06;
A47F 9/047

See application file for complete search history.

(56) **References Cited**

U.S. PATENT DOCUMENTS

D351,160 S * 10/1994 Massey D14/130
D427,413 S * 6/2000 Wallace D99/28

D611,224 S * 3/2010 Stoddard D99/28
D629,585 S * 12/2010 Bleck D14/307
D762,635 S * 8/2016 Szeredi D14/307
D773,771 S * 12/2016 Mavity D99/28
D774,030 S * 12/2016 Hoover D14/307
D800,715 S * 10/2017 Kane D14/307
D808,380 S * 1/2018 Dillon D14/307
D811,381 S * 2/2018 Morohoshi D14/307
D813,223 S * 3/2018 Munro D14/307

* cited by examiner

Primary Examiner — Michael A. Pratt

(74) *Attorney, Agent, or Firm* — Arent Fox LLP

(57) **CLAIM**

The ornamental design for a multi-service and interactive digital terminal, as shown and described.

DESCRIPTION

1. Multi-service and interactive digital terminal

1.1: Perspective

1.2: Front

1.3: Back

1.4: Left

1.5: Right

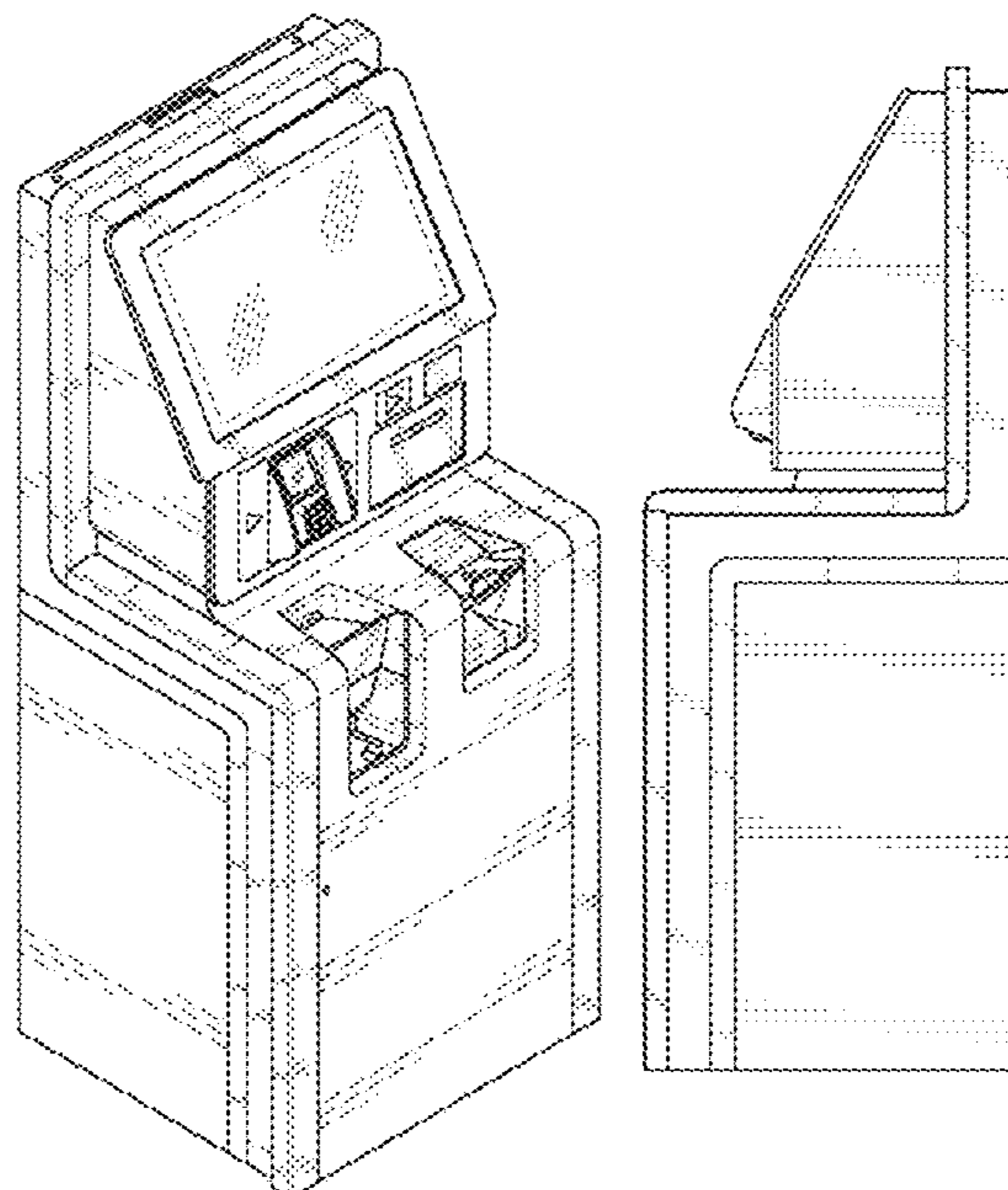
1.6: Top

1.7: Bottom

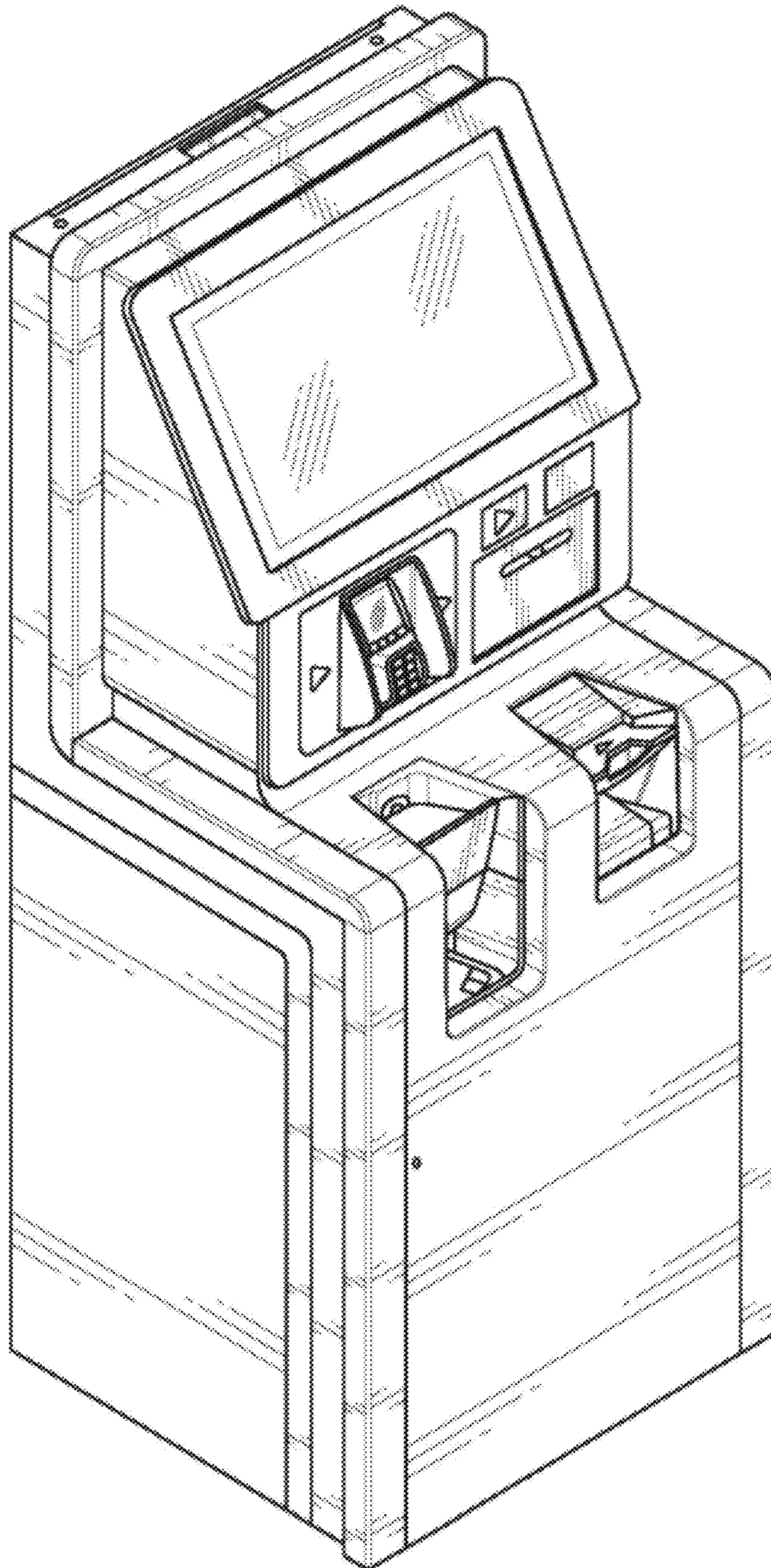
The terminal consists of a 22" touchscreen, a 2D scanner, and optional plate for integration, a thermal printer, a coin and bill change machine and a secure iButton access.

The broken line shown in figure 1.3 is for the purpose of illustrating portions of the multi-service and interactive digital terminal that forms no part of the claimed design.

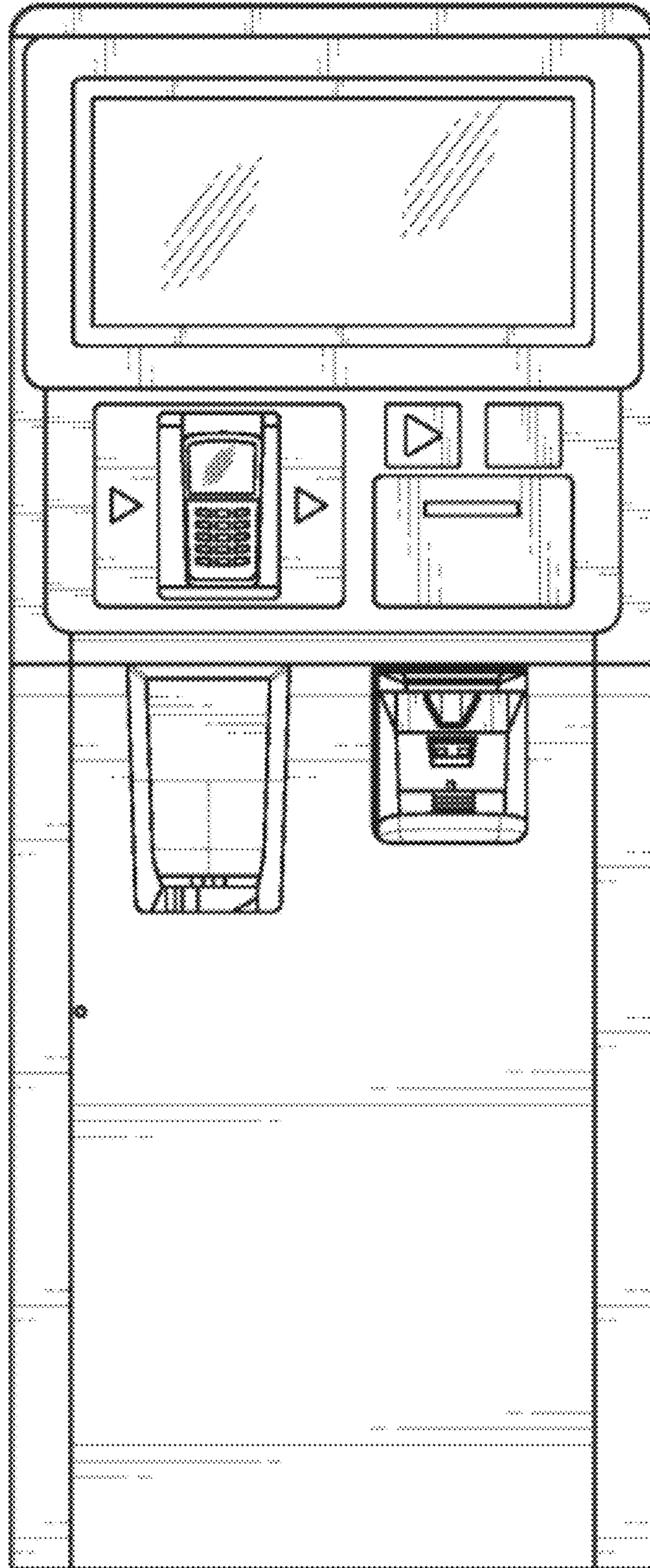
1 Claim, 7 Drawing Sheets



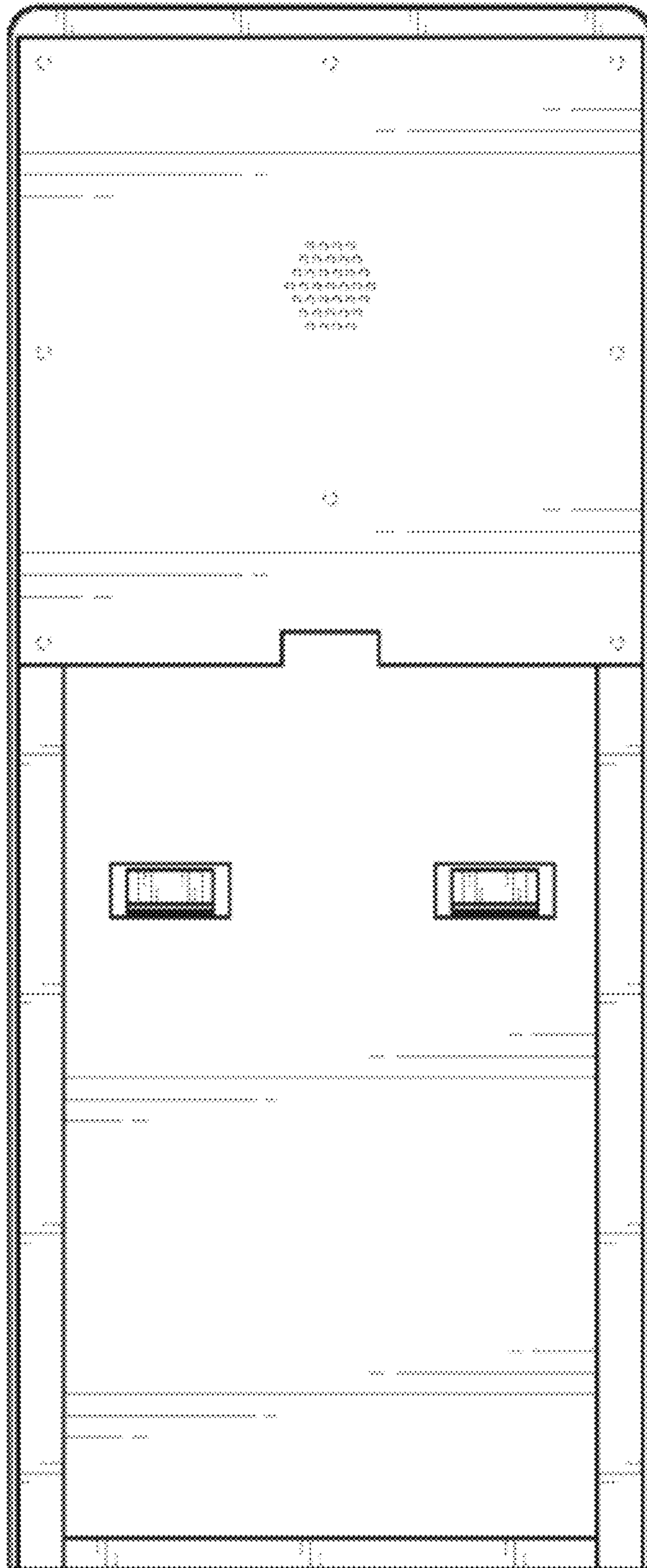
1.1



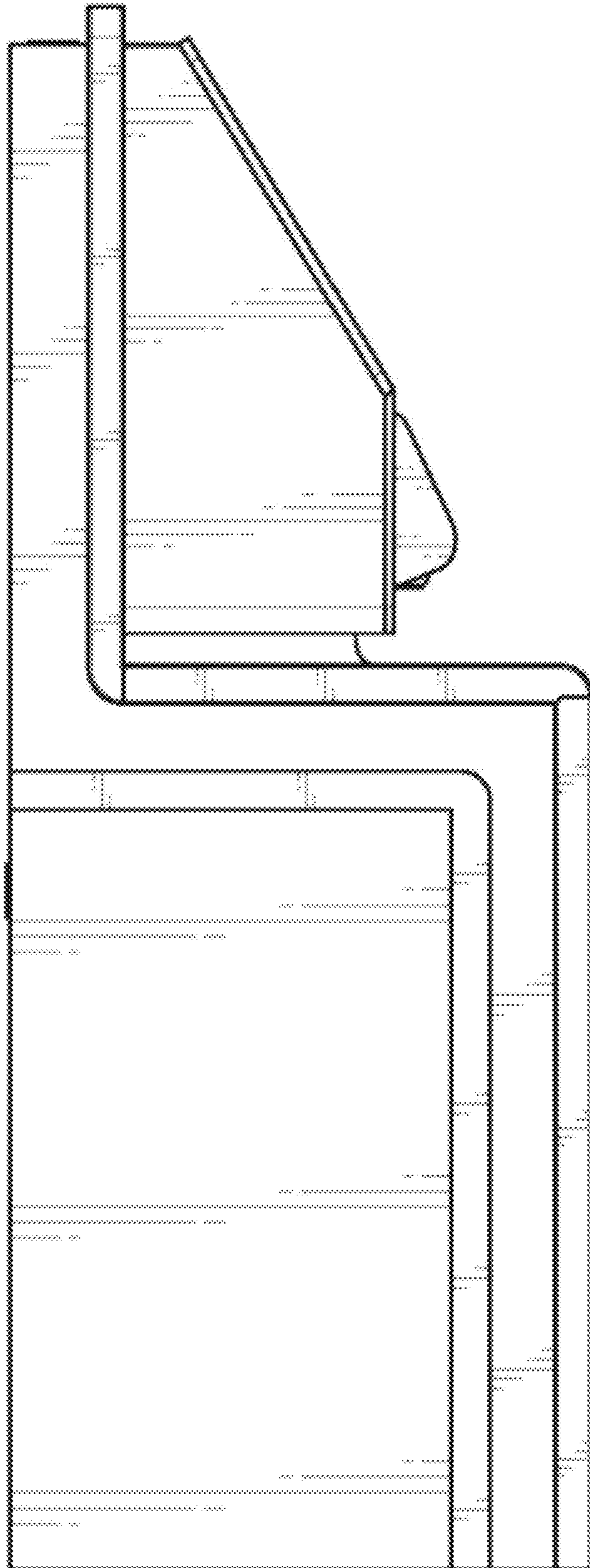
1.2



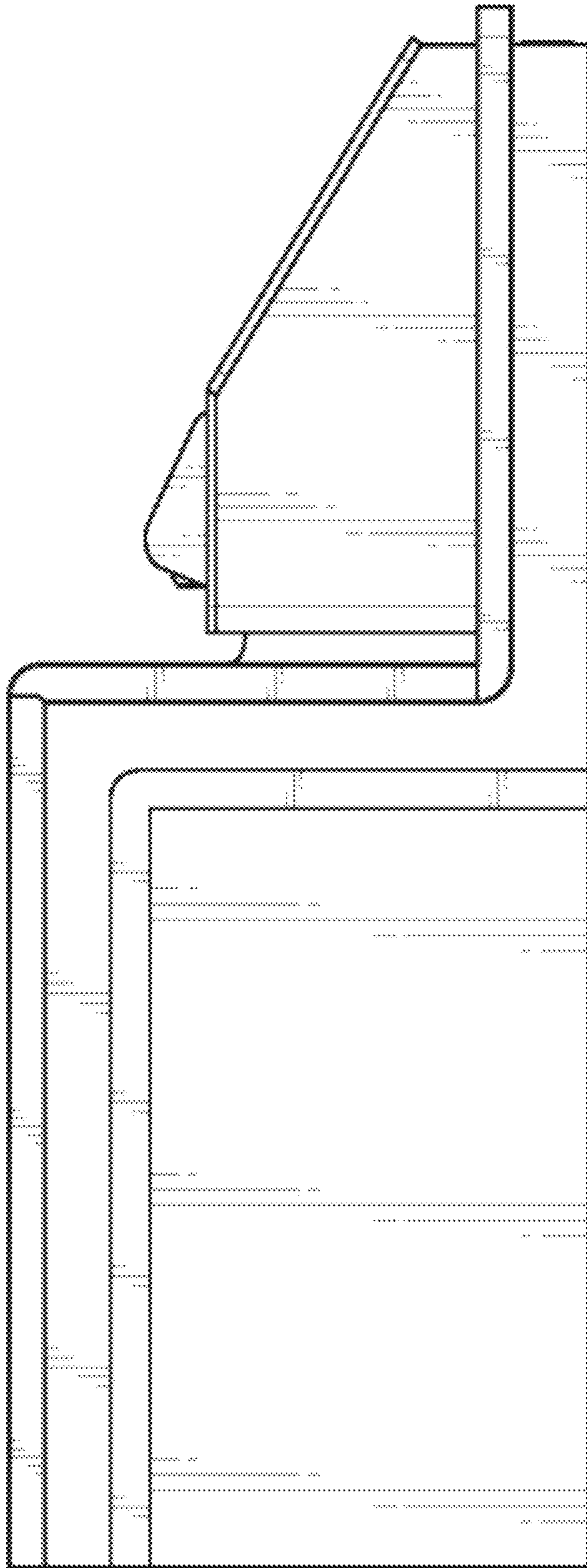
1.3



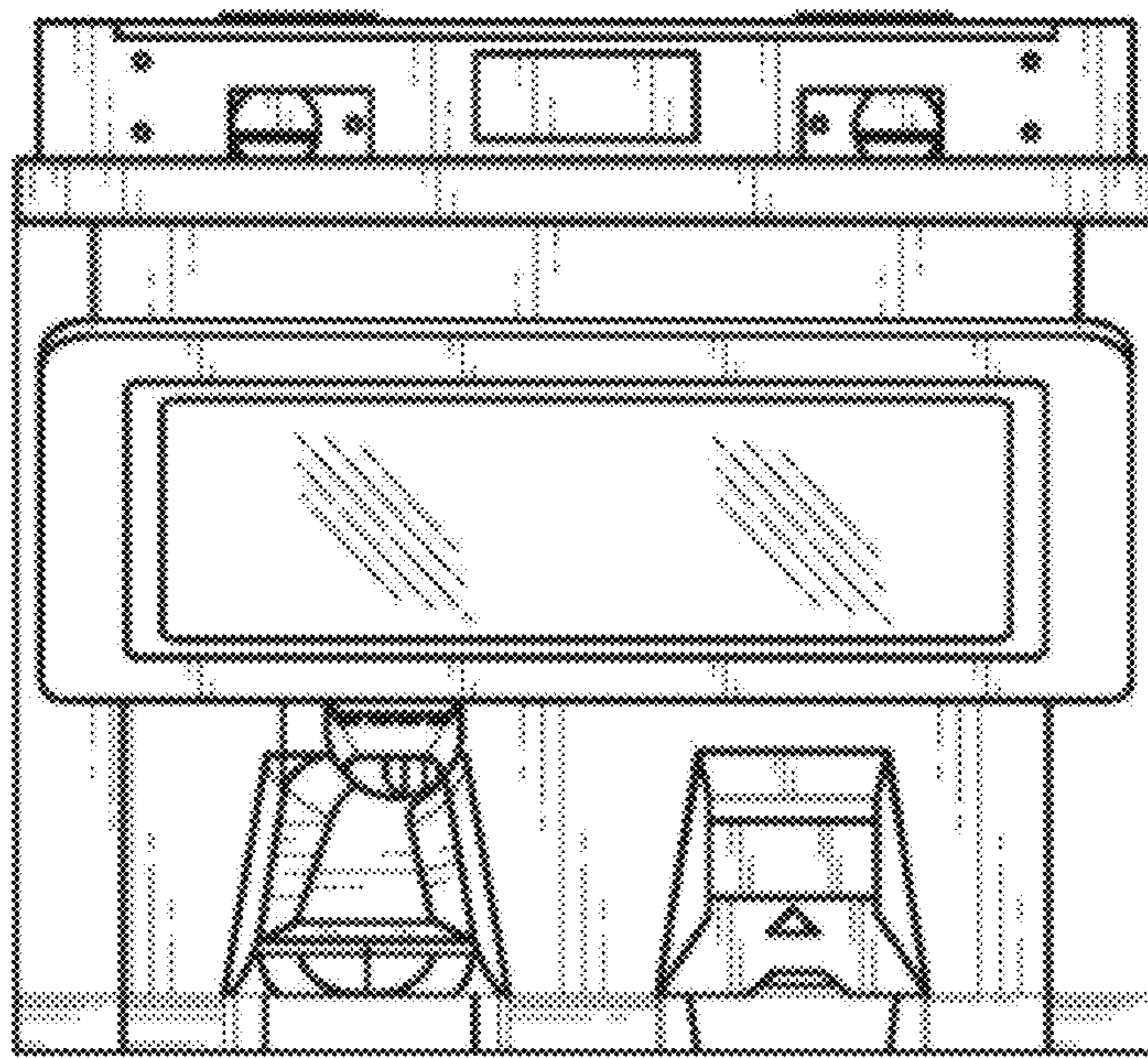
1.4



1.5



1.6



1.7

