

US00D840386S

(12) **United States Design Patent** (10) **Patent No.:** **US D840,386 S**
Entwistle (45) **Date of Patent:** **** Feb. 12, 2019**

(54) **MOUNTING UNIT FOR AUDIOVISUAL DEVICES**

(71) Applicant: **URBEN TECHNOLOGIES LIMITED**, St Albans, Hertfordshire (GB)

(72) Inventor: **Mike Entwistle**, St Albans (GB)

(73) Assignee: **URBEN TECHNOLOGIES LIMITED**, St. Albans, Hertfordshire (GB)

(**) Term: **15 Years**

(21) Appl. No.: **29/583,435**

(22) Filed: **Nov. 4, 2016**

(30) **Foreign Application Priority Data**

May 5, 2016 (EM) 003111749-0002

(51) **LOC (11) Cl.** **14-03**

(52) **U.S. Cl.**
USPC **D14/251**

(58) **Field of Classification Search**
USPC D14/251, 240, 217, 447, 253, 496;
224/558; 248/205.3; D16/200, 244
CPC H04B 1/3888; H04M 1/0283; A45C 1/06;
H05K 5/0204
See application file for complete search history.

(56) **References Cited**

U.S. PATENT DOCUMENTS

D387,078 S * 12/1997 Akita D16/200
D426,564 S * 6/2000 Rose D16/130
D488,648 S 4/2004 Stanton
D538,318 S * 3/2007 Sprague D16/130
D542,820 S * 5/2007 Depay D16/202
D560,685 S 1/2008 Lopez
D603,827 S * 11/2009 Tompkin D14/138 AD

D609,727 S * 2/2010 Adolfsson D16/200
D610,178 S * 2/2010 Adolfsson D16/200
D641,389 S * 7/2011 Dastagir D16/219
D684,203 S * 6/2013 Uemachi D16/200
D684,204 S * 6/2013 Uemachi D16/200
D710,025 S 7/2014 Johnson et al.
D710,921 S * 8/2014 Gioscia D16/200
D722,043 S * 2/2015 Requa D13/108
D725,638 S 3/2015 Hofman et al.
D730,880 S * 6/2015 Nagata D14/240
D733,788 S * 7/2015 Baker D16/237
D744,473 S * 12/2015 Tsai D14/251
D754,991 S 5/2016 Gosling et al.
D759,012 S * 6/2016 Golden D10/50
D769,234 S * 10/2016 Rami D14/253
D769,346 S * 10/2016 Nguyen D16/218

(Continued)

Primary Examiner — Cynthia R Underwood

(74) *Attorney, Agent, or Firm* — Craft Chu PLLC;
Andrew W. Chu

(57) **CLAIM**

The ornamental design for a mounting unit for audiovisual devices, as shown and described.

DESCRIPTION

FIG. 1 is an upper perspective view of the mounting unit for audiovisual devices showing my design with accessories in broken lines.

FIG. 2 is a side elevation view thereof, an opposite side elevation view, being identical;

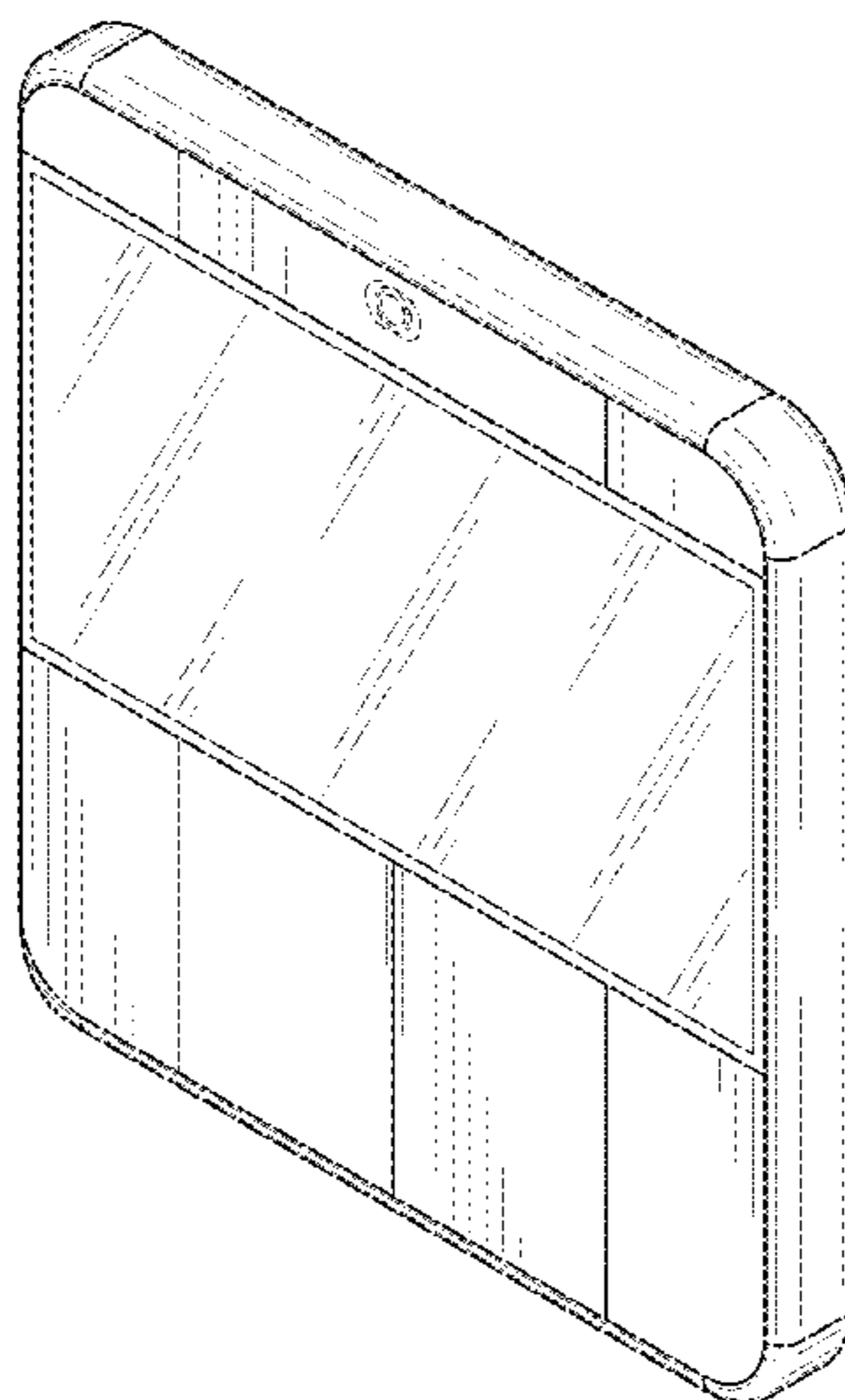
FIG. 3 is a top plan view thereof, a bottom plan view being identical;

FIG. 4 is a front elevation view, showing accessories in broken lines; and,

FIG. 5 is a back elevation view thereof.

The broken lines in FIGS. 1 and 4 indicate a camera accessory as environment and form no part of the claimed design. The broken lines in FIG. 5 indicate environment and form no part of the claimed design.

1 Claim, 3 Drawing Sheets



(56)

References Cited

U.S. PATENT DOCUMENTS

D789,999	S	*	6/2017	Yakabe	D16/200
D798,339	S	*	9/2017	Yang	D14/203.1
D805,569	S	*	12/2017	Daugela	D16/200
D816,070	S	*	4/2018	Marzynski	D14/240
D816,140	S	*	4/2018	Ranetkins	D16/200
2008/0088941	A1	*	4/2008	Jiang	G02B 13/08 359/668

* cited by examiner

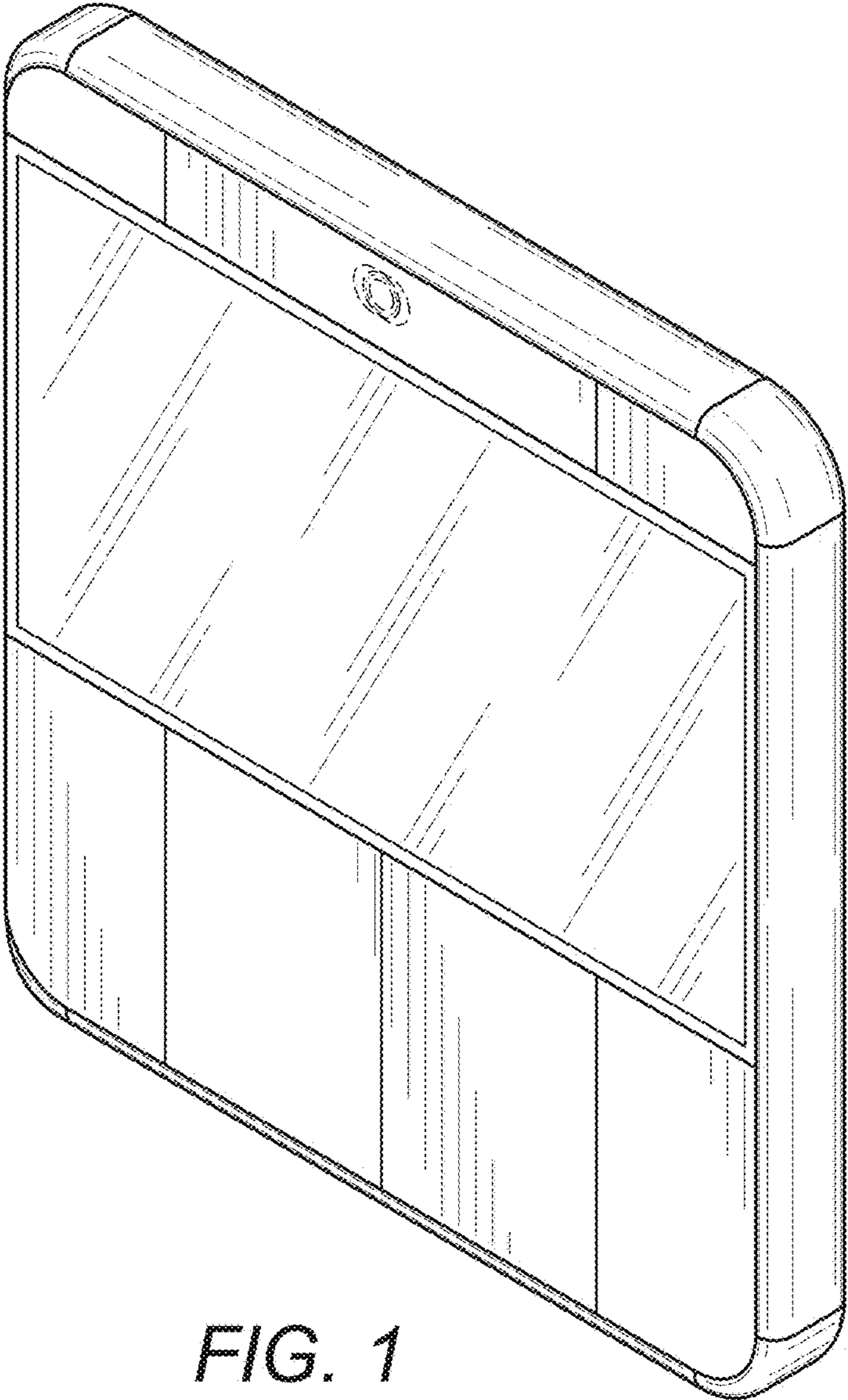


FIG. 1

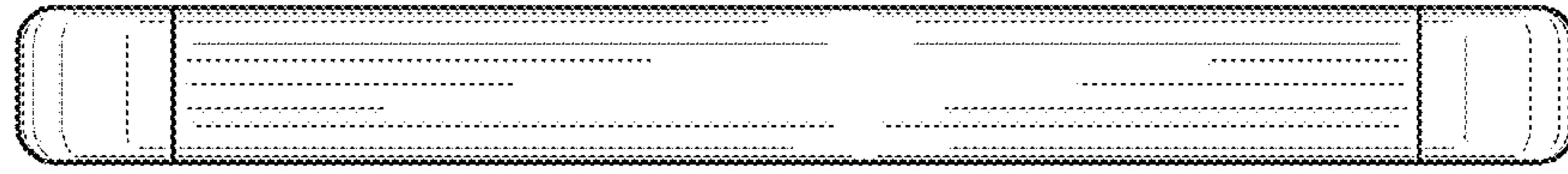


FIG. 3

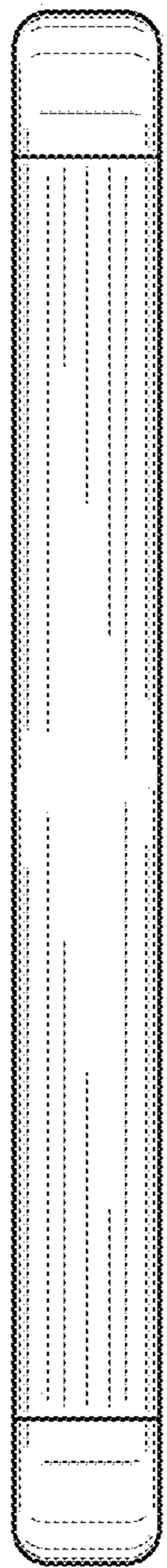


FIG. 2

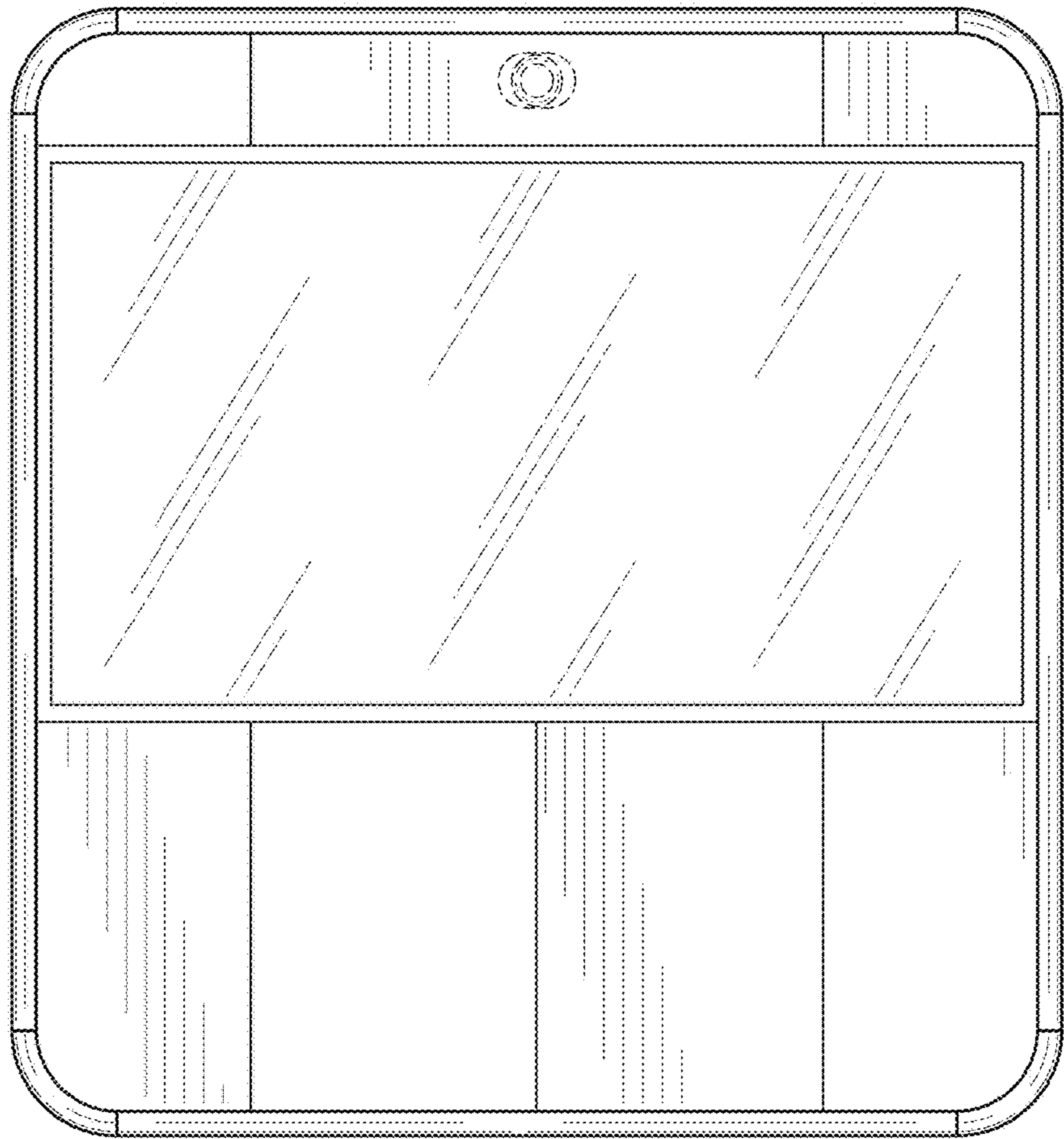


FIG. 4

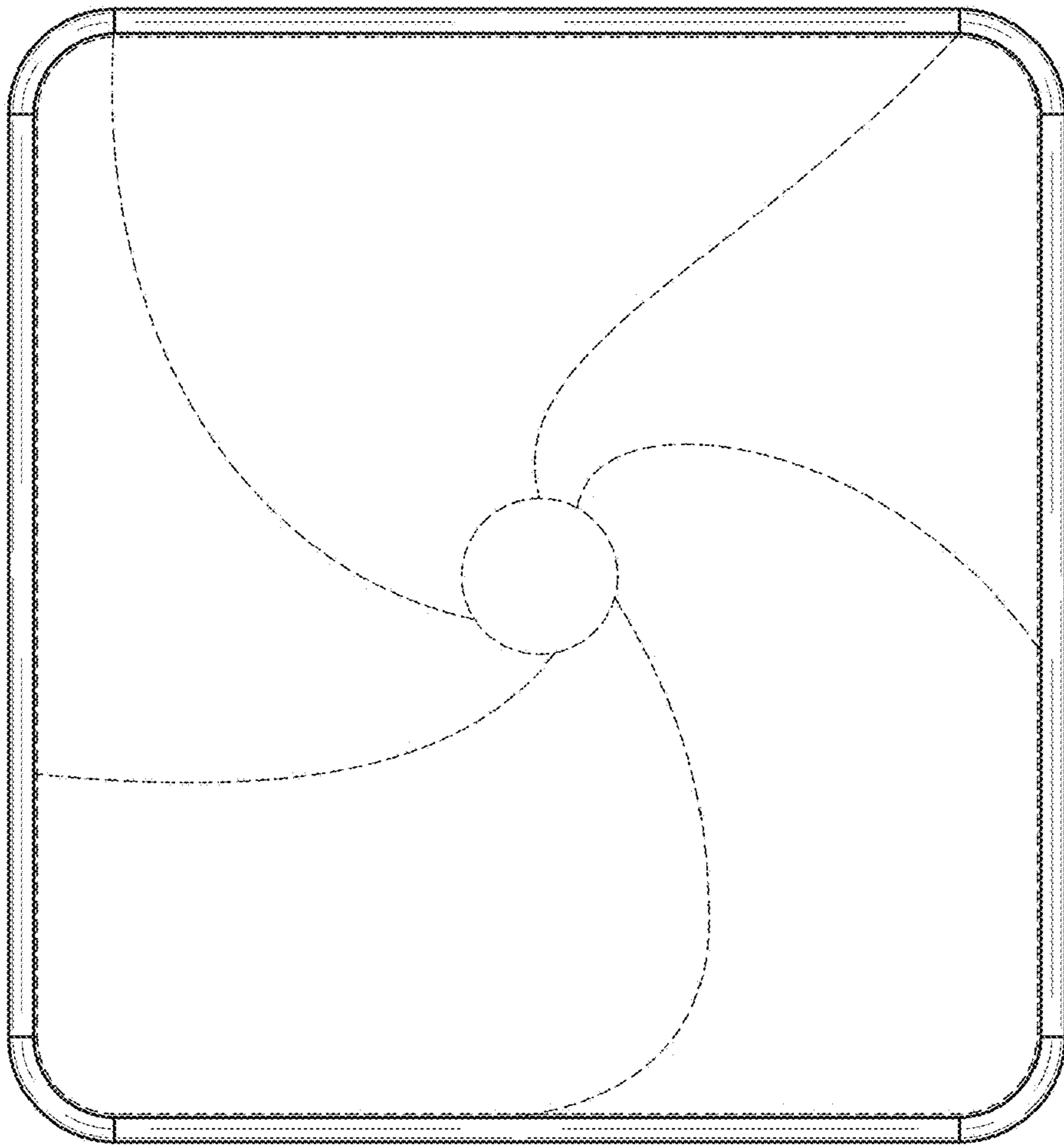


FIG. 5