



US00D840385S

(12) **United States Design Patent** (10) **Patent No.:** **US D840,385 S**
Deng (45) **Date of Patent:** **** Feb. 12, 2019**

(54) **PHONE CASE**
(71) Applicant: **Xiuhong Deng**, Guangdong Province (CN)
(72) Inventor: **Xiuhong Deng**, Guangdong Province (CN)
(**) Term: **15 Years**
(21) Appl. No.: **29/572,639**
(22) Filed: **Jul. 28, 2016**
(51) **LOC (11) Cl.** **14-03**
(52) **U.S. Cl.**
USPC **D14/250**
(58) **Field of Classification Search**
USPC D14/143, 189, 203.2-203.7, 217, 238.1, D14/240, 248, 250-253, 440, 447, 496; D3/201, 218, 247-251, 269, 273, 301, D3/303; D13/103, 107-108, 119
CPC A45C 1/06; A45C 11/00; A45C 13/02; A45C 2011/002; A45F 2005/026; A45F 2200/0525; A45F 2200/0516; H04B 1/3888; H04M 1/0283; H04M 1/0202
See application file for complete search history.

D794,625 S * 8/2017 Armstrong D14/250
D794,626 S * 8/2017 Armstrong D14/250
2015/0068934 A1* 3/2015 Armstrong A45C 11/00 206/320

OTHER PUBLICATIONS

Spidercase Waterproof Shockproof Case, posted at amazon.com, earliest date reviewed Mar. 1, 2017, [online], acquired on Sep. 13, 2017. Available from Internet, <URL: https://www.amazon.com/Spidercase-Waterproof-Shockproof-iphone-Version/dp/B01N4N1WFT/ref=cm_cr_arp_d_product_top?ie=UTF8>.*

* cited by examiner

Primary Examiner — Cathron C Brooks
Assistant Examiner — Aula Soroush

(57) **CLAIM**

The ornamental design for a phone case, as shown and described.

DESCRIPTION

FIG. 1 is a front elevational view of a phone case showing my new design;
FIG. 2 is a rear elevational view thereof;
FIG. 3 is a left side view thereof;
FIG. 4 is a right side view thereof;
FIG. 5 is a top plan view thereof;
FIG. 6 is a bottom plan view thereof;
FIG. 7 is a perspective view thereof;
FIG. 8 is a second perspective view thereof;
FIG. 9 is a third perspective view thereof; and,
FIG. 10 is a fourth perspective view thereof.
The broken lines in the drawings illustrate environmental subject matter that forms no part of the claimed design.

(56) **References Cited**

U.S. PATENT DOCUMENTS

D670,279 S * 11/2012 Veltz D14/250
D671,932 S * 12/2012 Azoulay D14/250
D685,358 S * 7/2013 Armstrong D14/250
D733,698 S * 7/2015 Suzuki D14/315
D742,869 S * 11/2015 Odhwani D14/250
D766,249 S * 9/2016 Veltz D14/440
D766,885 S * 9/2016 Armstrong D14/250
D766,907 S * 9/2016 Veltz D14/440
D768,123 S * 10/2016 Armstrong D14/250
D789,937 S * 6/2017 Zhang D14/440

1 Claim, 8 Drawing Sheets



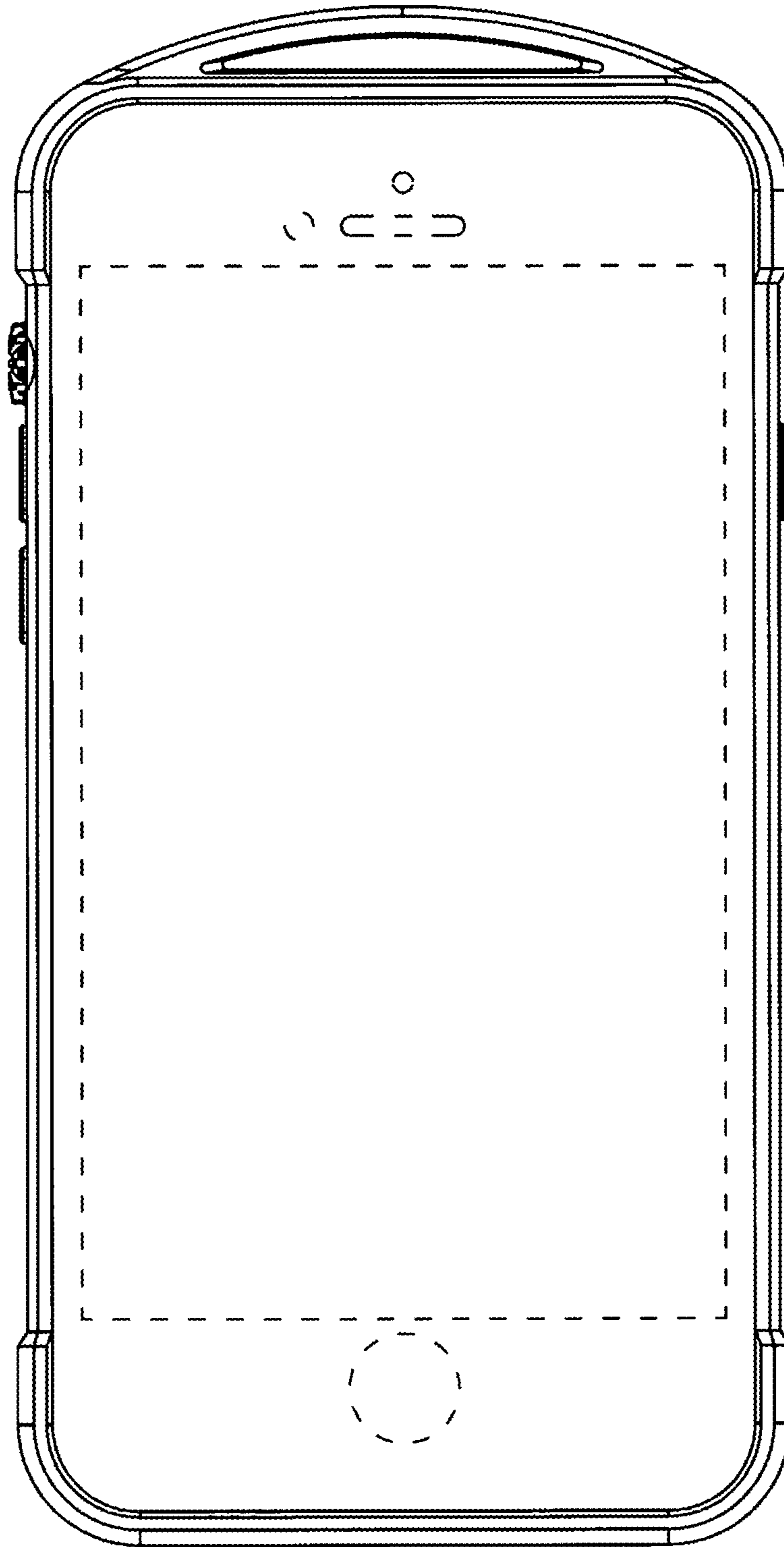


FIG. 1

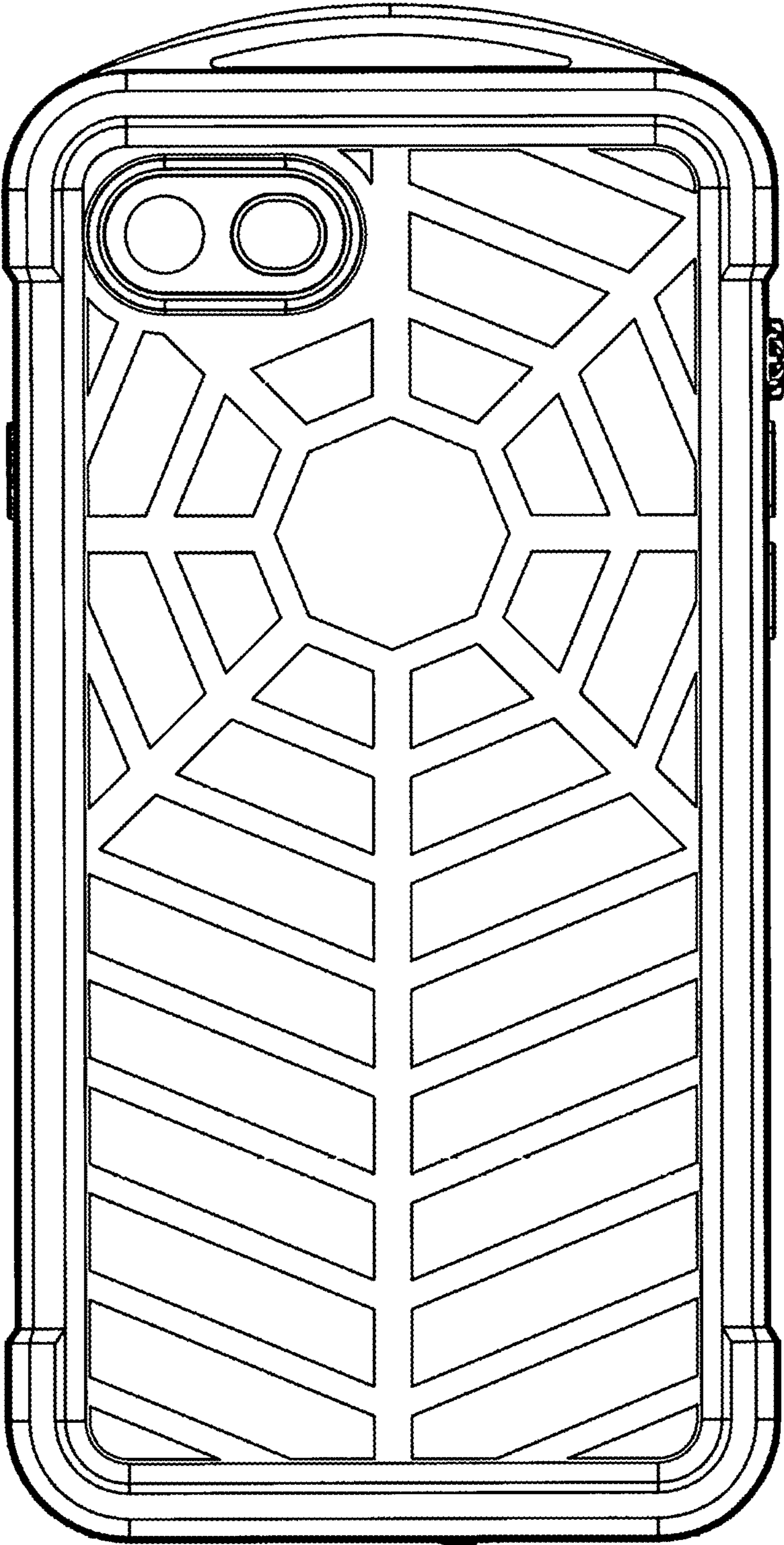


FIG. 2

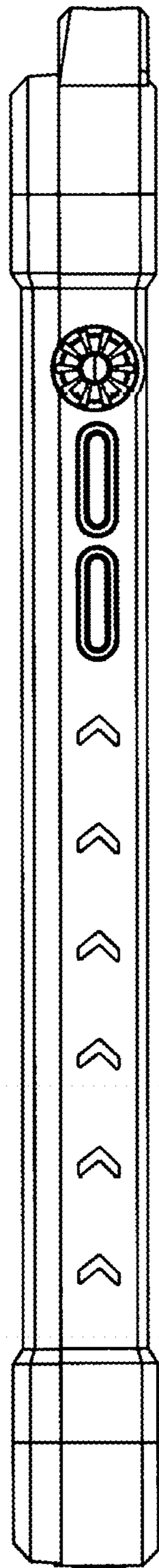


FIG. 3

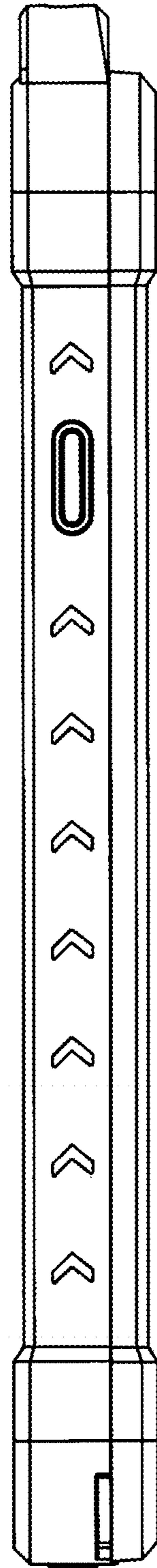


FIG. 4

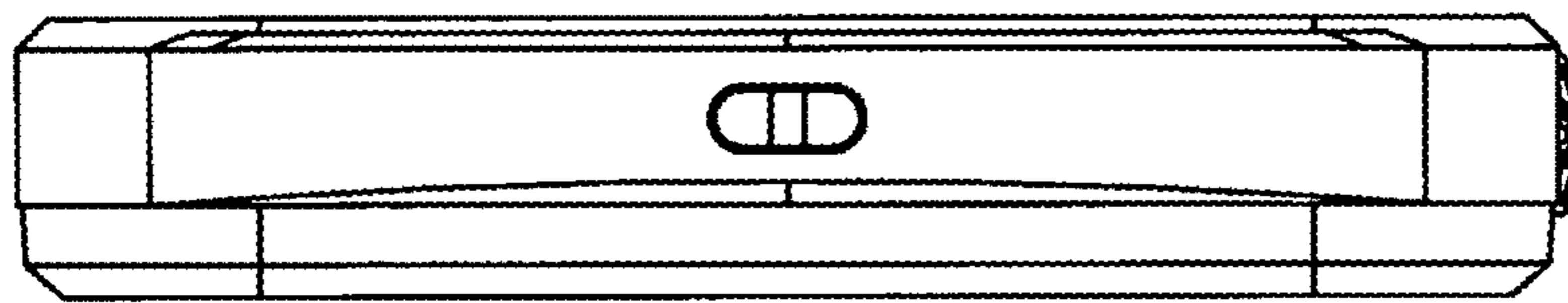


FIG. 5

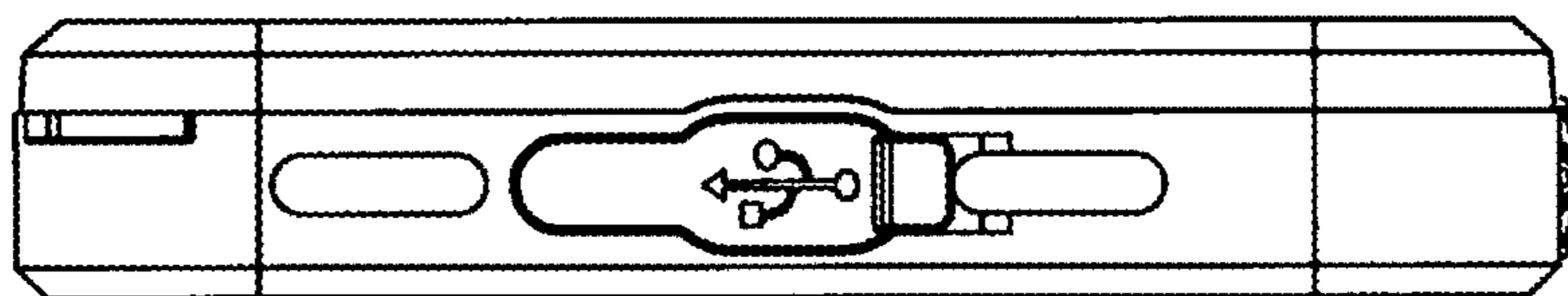


FIG. 6

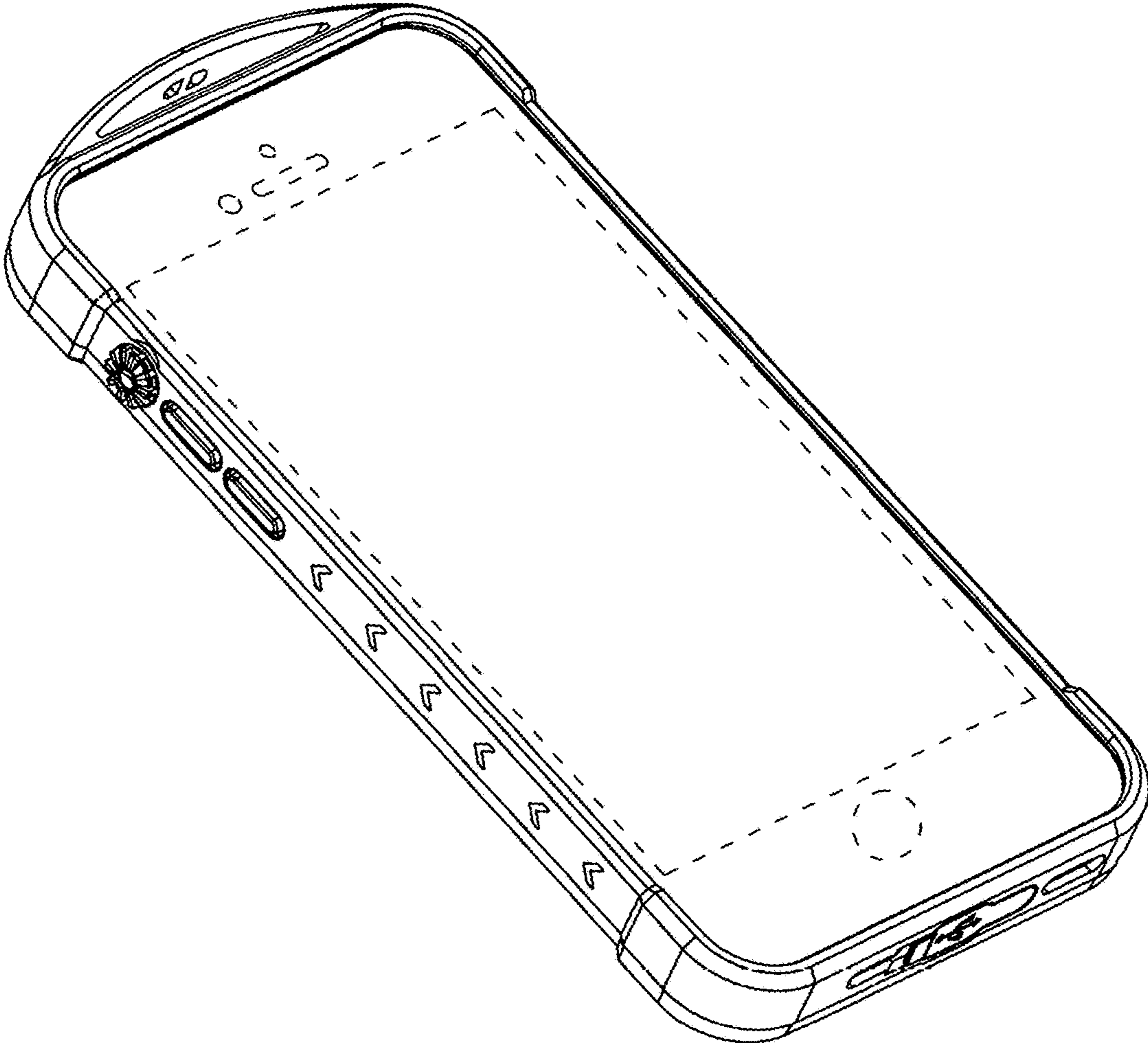


FIG. 7

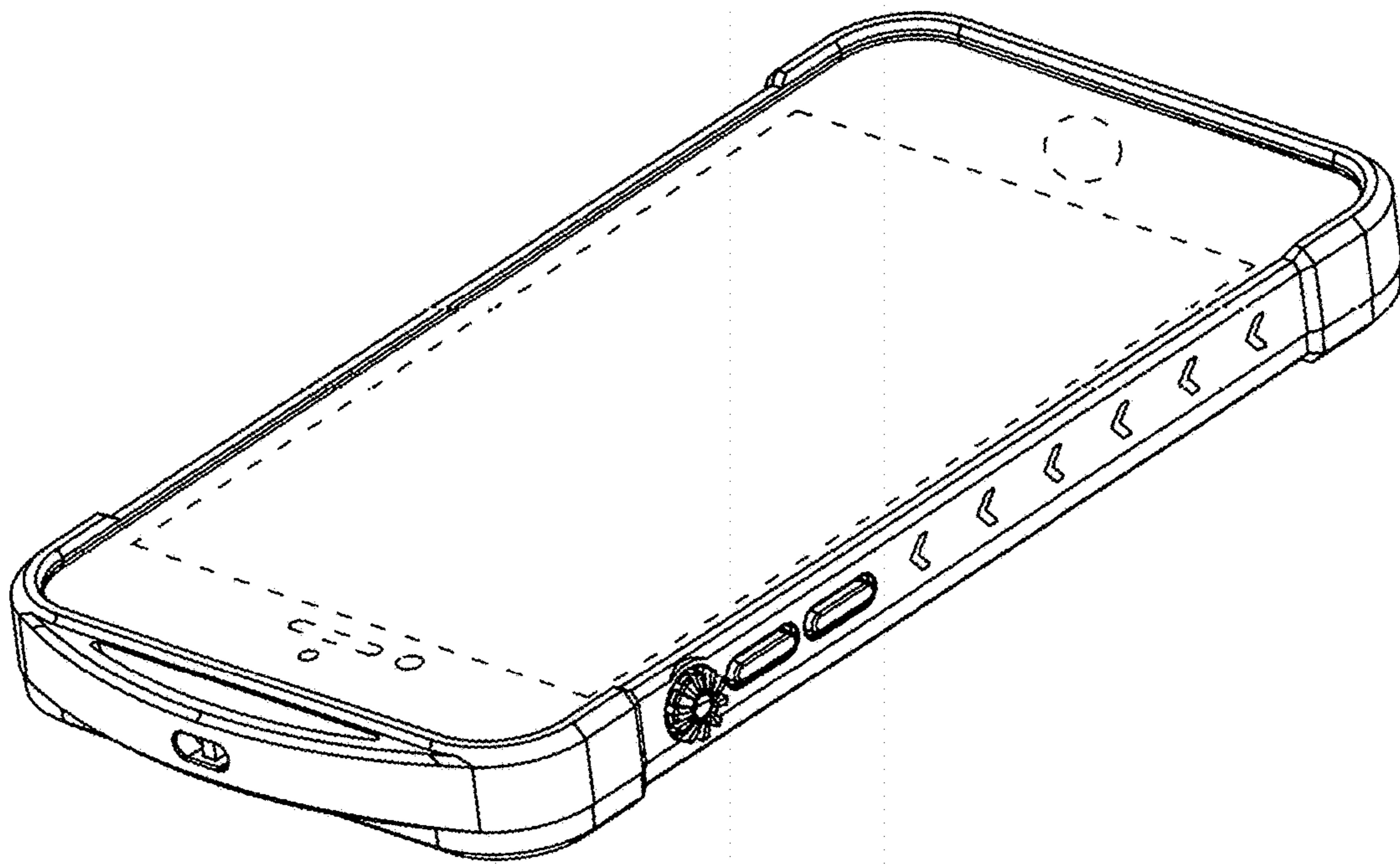


FIG. 8



FIG. 9

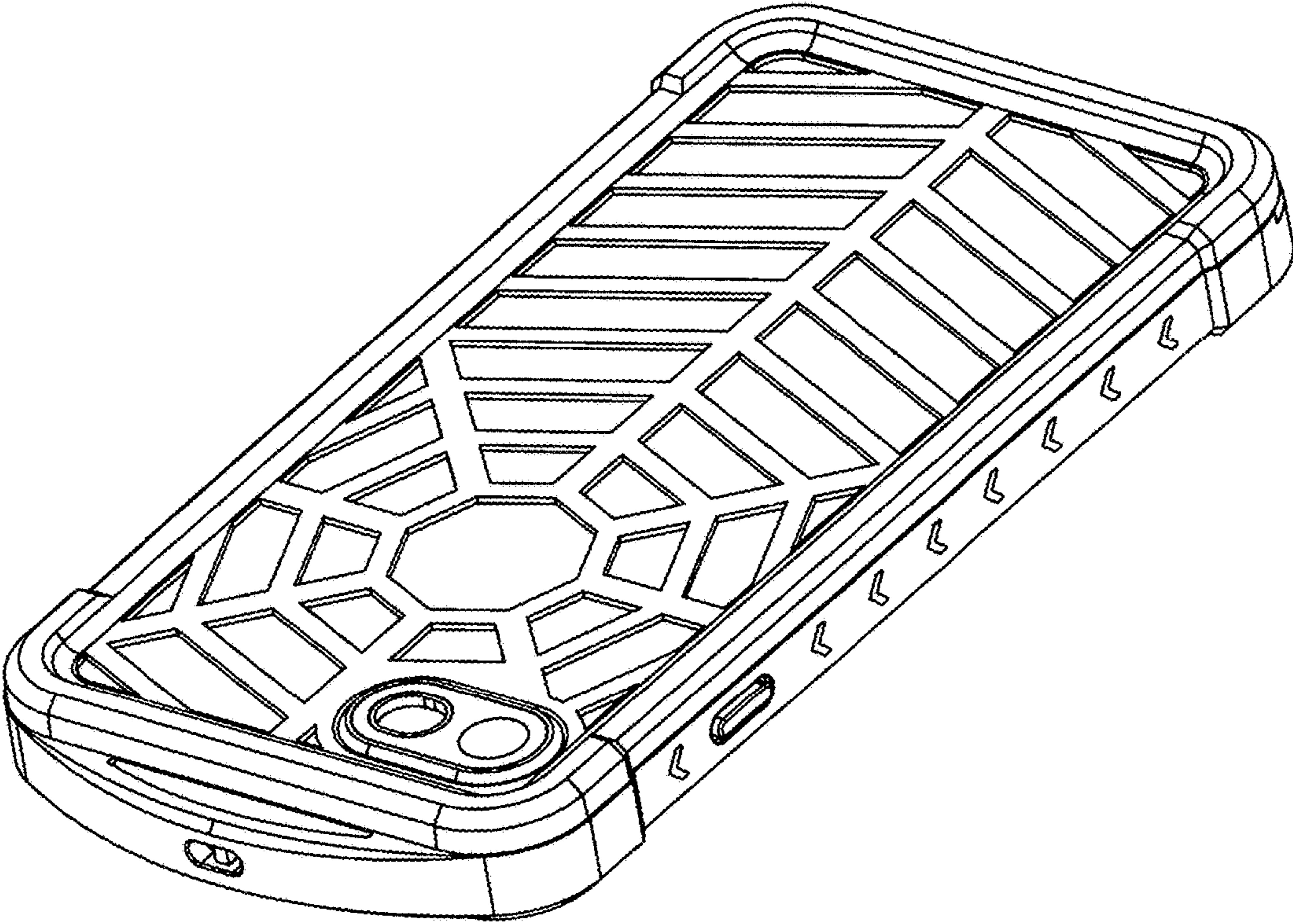


FIG. 10