



US00D840381S

(12) **United States Design Patent** (10) **Patent No.:** **US D840,381 S**
Lee et al. (45) **Date of Patent:** **** Feb. 12, 2019**

(54) **STAND FOR TELEVISION RECEIVER**

FOREIGN PATENT DOCUMENTS

(71) Applicant: **SAMSUNG ELECTRONICS CO., LTD.**, Suwon-si, Gyeonggi-do (KR)

CN 303159757 S 4/2015
KR 300835188 S 1/2016
KR 300850856 S 4/2016
KR 300891393 S 1/2017

(72) Inventors: **Min-Hee Lee**, Seoul (KR); **Eun-Ah Kim**, Seoul (KR)

* cited by examiner

(73) Assignee: **SAMSUNG ELECTRONICS CO., LTD.**, Gyeonggi-Do (KR)

Primary Examiner — Randall H Gholson

(74) *Attorney, Agent, or Firm* — Cantor Colburn LLP

(**) Term: **15 Years**

(21) Appl. No.: **29/626,186**

(57) **CLAIM**

(22) Filed: **Nov. 15, 2017**

The ornamental design for a stand for television receiver, as shown and described.

(30) **Foreign Application Priority Data**

May 18, 2017 (KR) 30-2017-0022412

(51) **LOC (11) Cl.** **14-03**

(52) **U.S. Cl.**
USPC **D14/239**

(58) **Field of Classification Search**
USPC D14/125-134, 239, 371, 136, 374-377, D14/440, 450, 448, 336, 342, 159; 312/7.2; 348/836, 838, 180, 184, 325, 348/739; 248/917-924, 465; 345/104, 345/133, 156, 168, 87, 173; D21/329, D21/515, 577, 622, 333, 433, 448, 452, D21/450, 331, 505; D10/15, 26; 446/484, 175, 356; D6/477, 479, 300; D24/185; D34/14

CPC ... G06F 1/1601; G06F 1/1643; H05K 5/0004; H05K 5/0017; H05K 5/02; H05K 5/0217

See application file for complete search history.

(56) **References Cited**

U.S. PATENT DOCUMENTS

D292,045 S * 9/1987 McDowell D6/300
D743,385 S * 11/2015 Ann D14/239
D759,636 S * 6/2016 Lee D14/239
D761,238 S 7/2016 Ann et al.

DESCRIPTION

FIG. 1 is a front perspective view of a stand for television receiver, showing our new design;
FIG. 2 is a front view thereof;
FIG. 3 is a rear view thereof;
FIG. 4 is a left side view thereof;
FIG. 5 is a right side view thereof;
FIG. 6 is a top plan view thereof;
FIG. 7 is a bottom plan view thereof; and,
FIG. 8 is another perspective view thereof with an unclaimed television receiver.

The evenly spaced broken lines illustrating portions of the stand for television receiver in FIGS. 1-7 form no part of the claimed design.

The evenly spaced broken lines illustrating portions of the stand for television receiver and the television receiver itself in FIG. 8 form no part of the claimed design.

1 Claim, 8 Drawing Sheets



FIG. 1

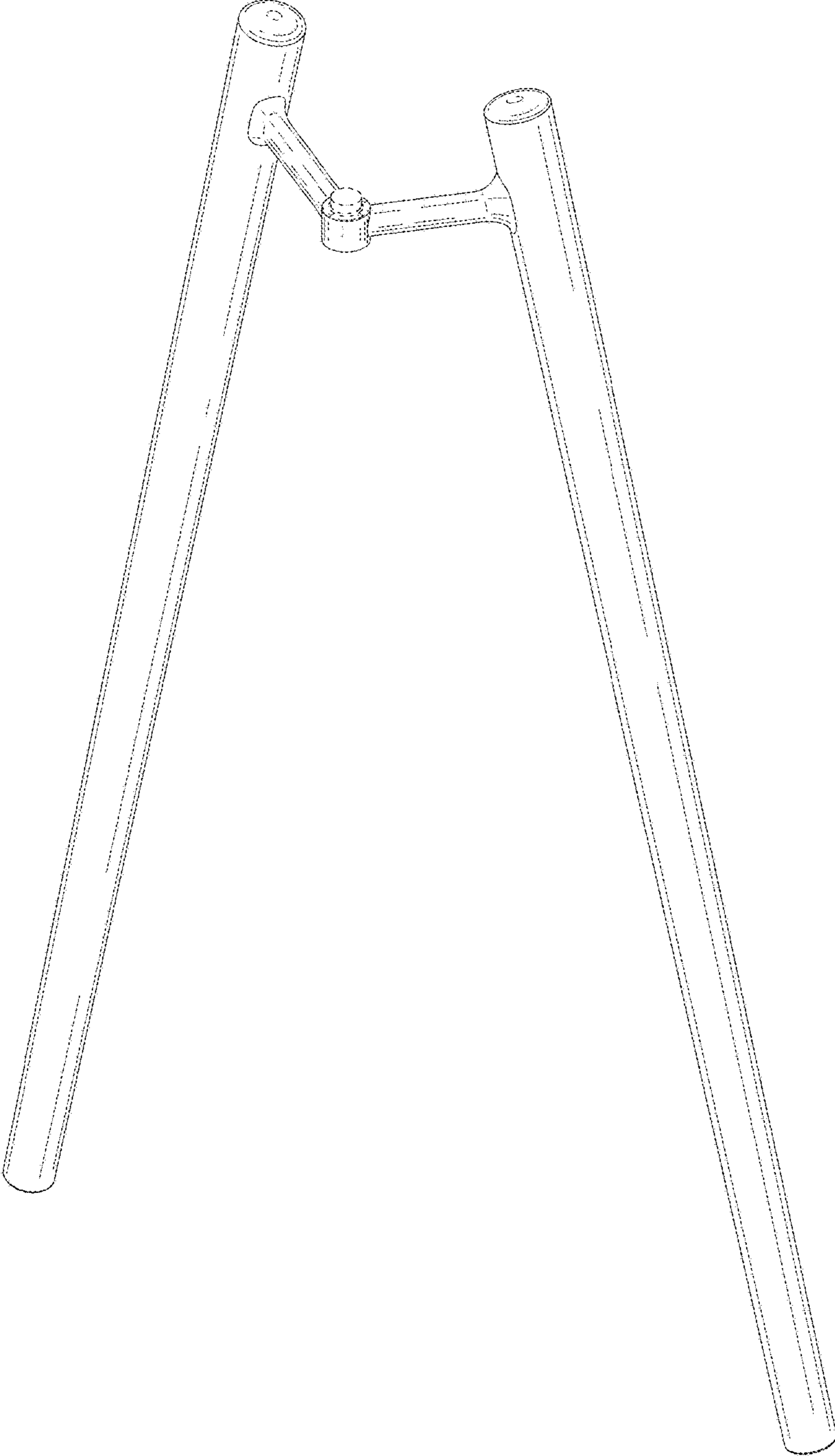


FIG. 2



FIG. 3

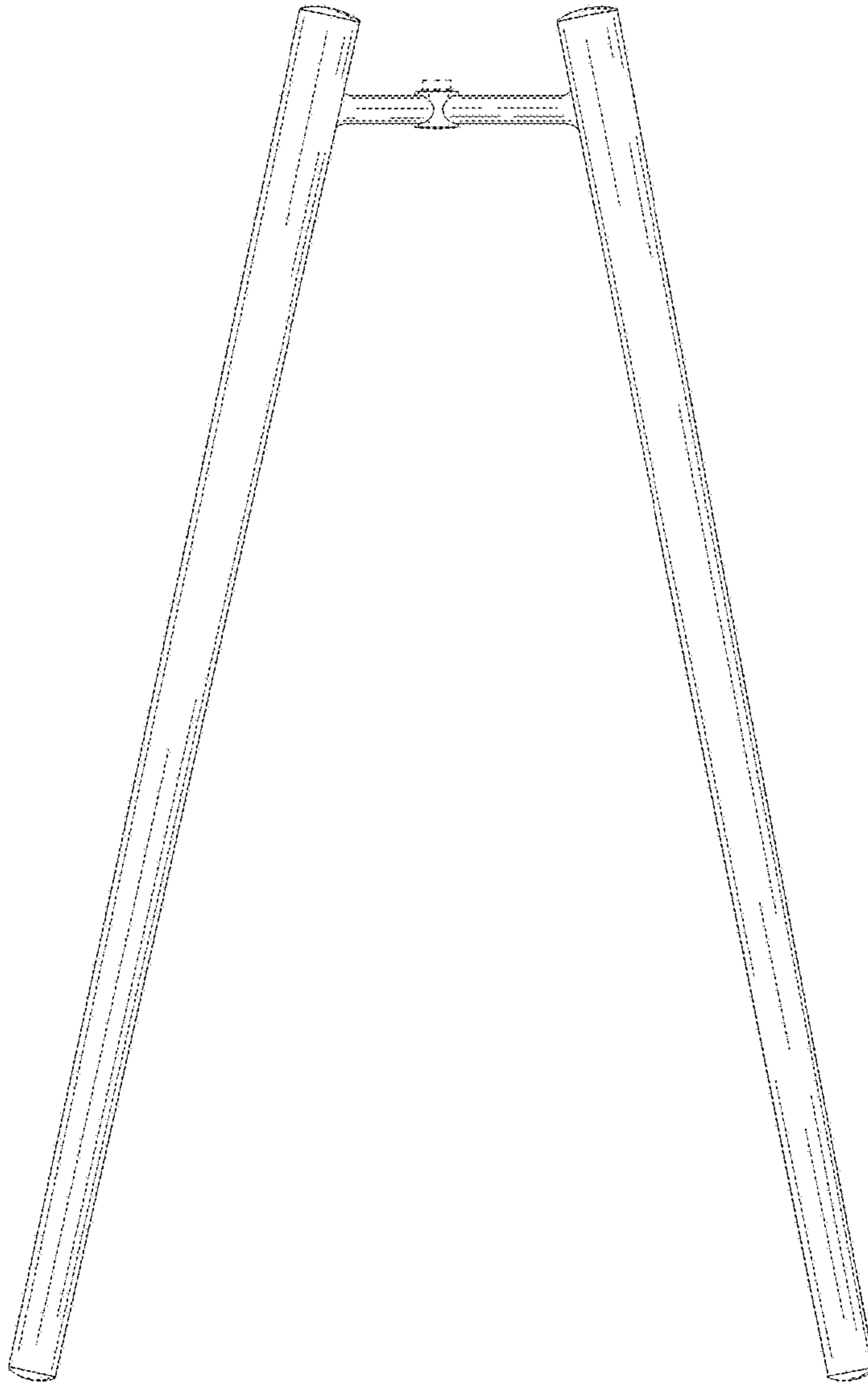


FIG. 4

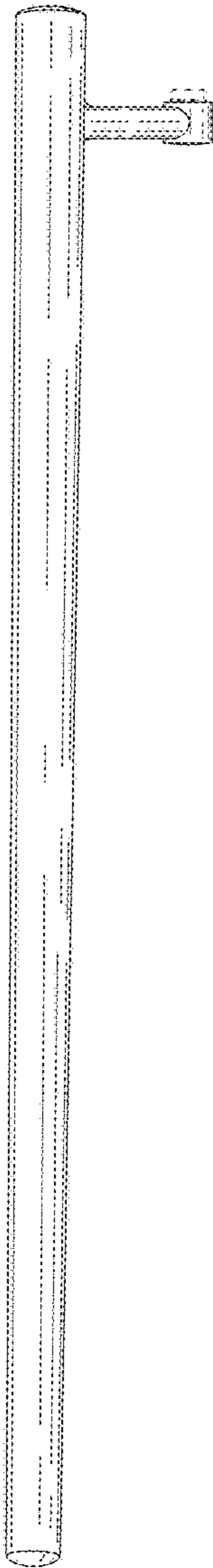


FIG. 5

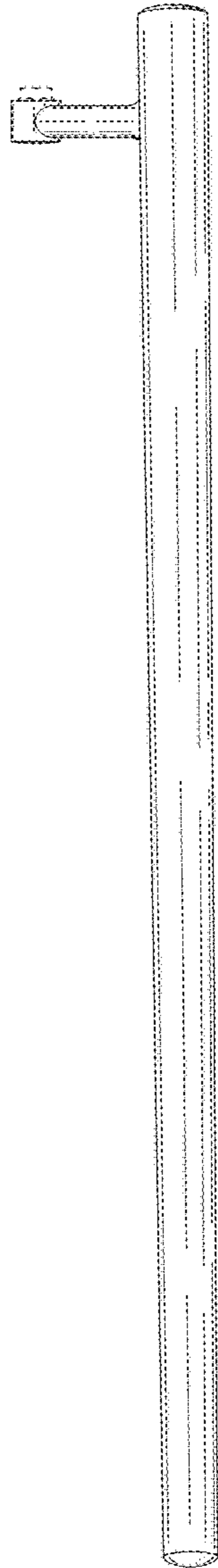


FIG. 6

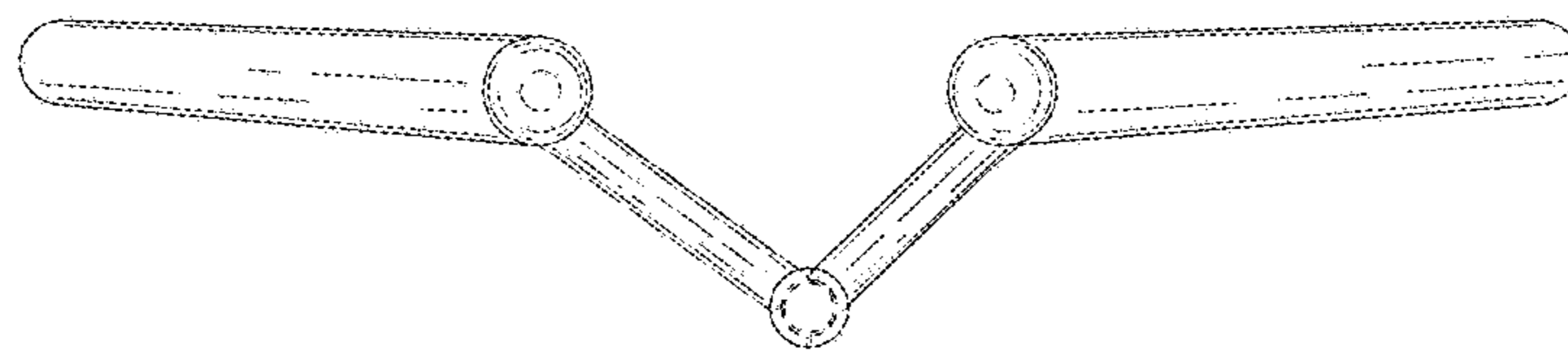


FIG. 7

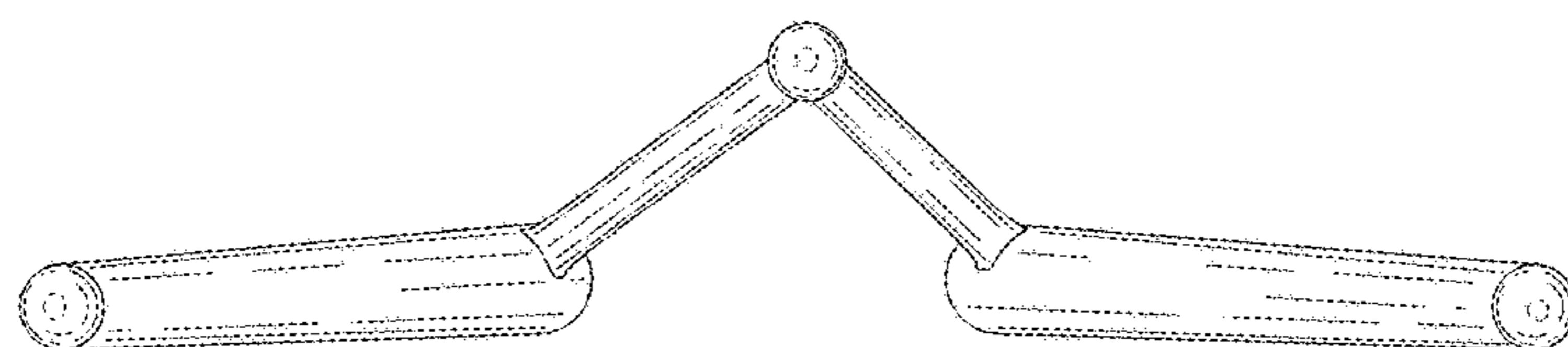


FIG. 8

