



US00D840380S

(12) **United States Design Patent** (10) **Patent No.:** **US D840,380 S**  
**Forster** (45) **Date of Patent:** **\*\* Feb. 12, 2019**

- (54) **RFID INLAY**
- (71) Applicant: **Avery Dennison Retail Information Services, LLC**, Mentor, OH (US)
- (72) Inventor: **Ian J. Forster**, Chelmsford (GB)
- (73) Assignee: **AVERY DENNISON RETAIL INFORMATION SERVICES, LLC**, Mentor, OH (US)
- (\*\*) Term: **15 Years**
- (21) Appl. No.: **29/628,631**
- (22) Filed: **Dec. 6, 2017**
- (51) **LOC (11) Cl.** ..... **14-03**
- (52) **U.S. Cl.**  
USPC ..... **D14/230**
- (58) **Field of Classification Search**  
USPC ... D14/230-238, 238.1, 299, 343, 489, 492;  
D13/182  
CPC ..... H01Q 7/00; H01Q 13/10; H01Q 9/285;  
H01Q 19/30; H01Q 19/12; H01Q 1/36;  
H01Q 1/38; H04B 1/0475; H04B 1/034;  
H05K 11/00; G05D 1/0234; G06K  
19/07749  
See application file for complete search history.

- D695,278 S \* 12/2013 Koskelainen ..... D14/230
- D710,338 S \* 8/2014 Forster ..... D14/230
- D715,779 S \* 10/2014 Forster ..... D14/230
- D715,782 S \* 10/2014 Forster ..... D14/230
- D715,783 S \* 10/2014 Forster ..... D14/230
- D716,773 S \* 11/2014 Forster ..... D14/230
- D812,045 S \* 3/2018 Howard ..... D14/230
- 2009/0212919 A1 \* 8/2009 Selgrath ..... G06K 19/041  
340/10.1
- 2017/0358839 A1 \* 12/2017 Wu ..... G06K 19/07783

**OTHER PUBLICATIONS**

Avery Dennison, UHF RFID Inlay: AD-226iM, online, no post date, <URL: <http://rfid.averydennison.com/en/home/innovation/rfid-inlay-designs/AD-226iM.html>>, retrieved Sep. 10, 2018.\*

\* cited by examiner

*Primary Examiner* — Jeffrey D Asch

*Assistant Examiner* — Rebekah A Caruso

(74) *Attorney, Agent, or Firm* — Avery Dennison Retail Information Services, LLC

(57) **CLAIM**

The ornamental design for an RFID inlay, as shown and described.

**DESCRIPTION**

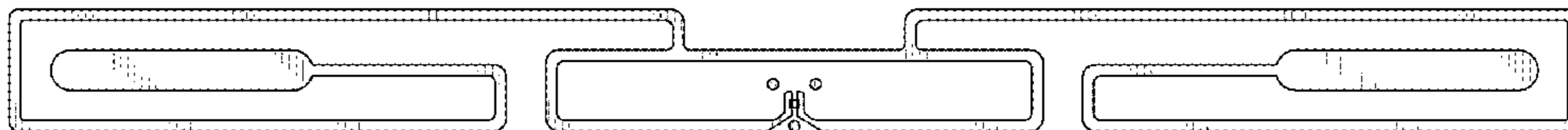
FIG. 1 is an isometric view of an RFID inlay, showing my design; and, FIG. 2 is a top view thereof.

**1 Claim, 2 Drawing Sheets**

(56) **References Cited**

**U.S. PATENT DOCUMENTS**

- 8,115,618 B2 \* 2/2012 Robertson ..... A61B 1/00016  
340/539.12
- 8,448,874 B2 \* 5/2013 Koskelainen ..... C23F 1/02  
235/451



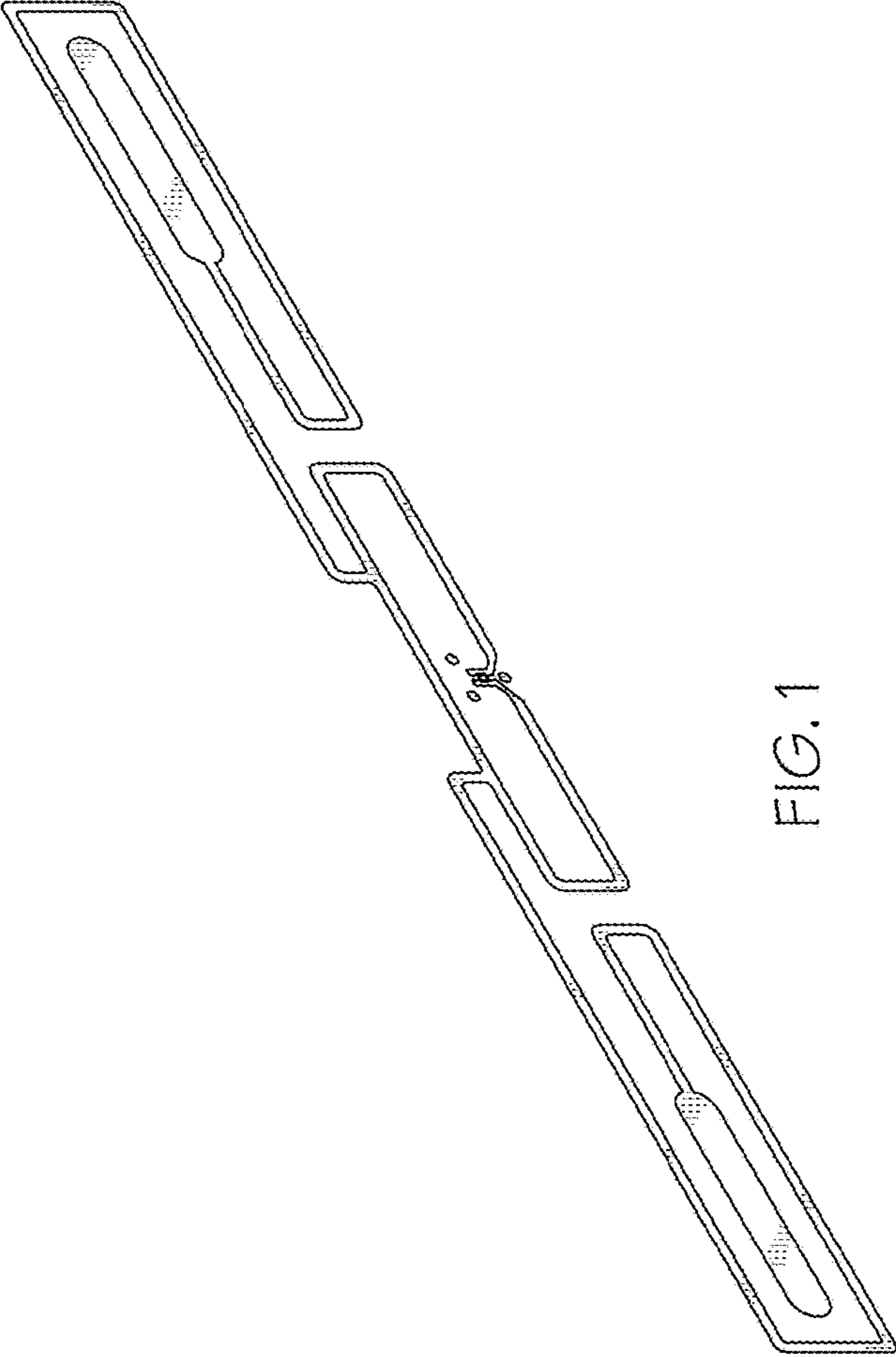


FIG. 1

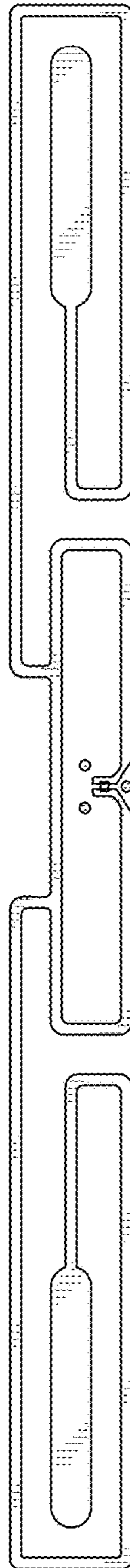


FIG. 2