



US00D840375S

(12) **United States Design Patent**  
**Sakata**

(10) **Patent No.:** **US D840,375 S**

(45) **Date of Patent:** **\*\* Feb. 12, 2019**

(54) **AUTOMOTIVE SPEAKER**

(71) Applicant: **JVC KENWOOD Corporation**,  
Kanagawa (JP)

(72) Inventor: **Yu Sakata**, Yokohama (JP)

(73) Assignee: **JVC KENWOOD CORPORATION**,  
Kanagawa (JP)

(\*\*) Term: **15 Years**

(21) Appl. No.: **29/631,094**

(22) Filed: **Dec. 27, 2017**

(30) **Foreign Application Priority Data**

Oct. 17, 2017 (JP) ..... 2017-022911

(51) **LOC (11) Cl.** ..... **14-03**

(52) **U.S. Cl.**  
USPC ..... **D14/216; D14/221**

(58) **Field of Classification Search**  
USPC ..... D14/167, 168, 170-172, 188, 194-196,  
D14/204, 207, 209.1, 210-216, 219, 221,  
D14/222, 224, 239, 496; 181/143, 144,  
181/147, 148, 150, 153, 157, 198, 199;  
381/300-303, 306, 332, 333, 336, 345,  
381/361-364, 386-388; 369/6-12

CPC ..... B60R 11/0217; G06F 1/1688; G10K 9/22;  
G10K 11/004; H03F 1/327; H04M 1/03;  
H04M 1/035; H04N 5/642; H04N  
21/4852; H04R 1/02; H04R 1/06; H04R  
1/021; H04R 1/025; H04R 1/026; H04R  
1/028; H04R 1/105; H04R 1/323; H04R  
1/403; H04R 1/2803; H04R 1/2834;  
H04R 5/02; H04R 7/20; H04R 9/06;  
H04R 9/025; H04R 2201/021; H04R  
2400/00; H04R 2400/07; H04R 2499/11;  
H04R 2499/13; H04R 2499/15; H04S  
3/00; H04S 7/30

See application file for complete search history.

(56) **References Cited**

U.S. PATENT DOCUMENTS

D506,993 S *	7/2005	Suzuki	.....	D14/221
D550,206 S *	9/2007	Mizokawa	.....	D14/216
D550,207 S *	9/2007	Mizokawa	.....	D14/216
D550,209 S *	9/2007	Mizokawa	.....	D14/216
D550,651 S *	9/2007	Mizokawa	.....	D14/216
D551,209 S *	9/2007	Mizokawa	.....	D14/216
D559,835 S *	1/2008	Marshall	.....	D14/216
D560,658 S *	1/2008	Akaishi	.....	D14/221
D591,729 S *	5/2009	Natori	.....	D14/216
D593,073 S *	5/2009	Kurihara	.....	D14/216
D600,676 S *	9/2009	Maurer	.....	D14/209
D608,345 S *	1/2010	Oishi	.....	D14/216
D777,707 S *	1/2017	Kimura	.....	D14/216
D788,074 S *	5/2017	Green	.....	D14/216
D791,106 S *	7/2017	Kurihara	.....	D14/222
D811,374 S *	2/2018	Tubis	.....	D14/221

\* cited by examiner

*Primary Examiner* — Keli L Hill

(74) *Attorney, Agent, or Firm* — Cantor Colburn LLP

(57) **CLAIM**

The ornamental design for an automotive speaker, as shown and described.

**DESCRIPTION**

FIG. 1 is a perspective view of the automotive speaker

FIG. 2 is a front view of FIG. 1;

FIG. 3 is a back side view of FIG. 1;

FIG. 4 is a top view of FIG. 1;

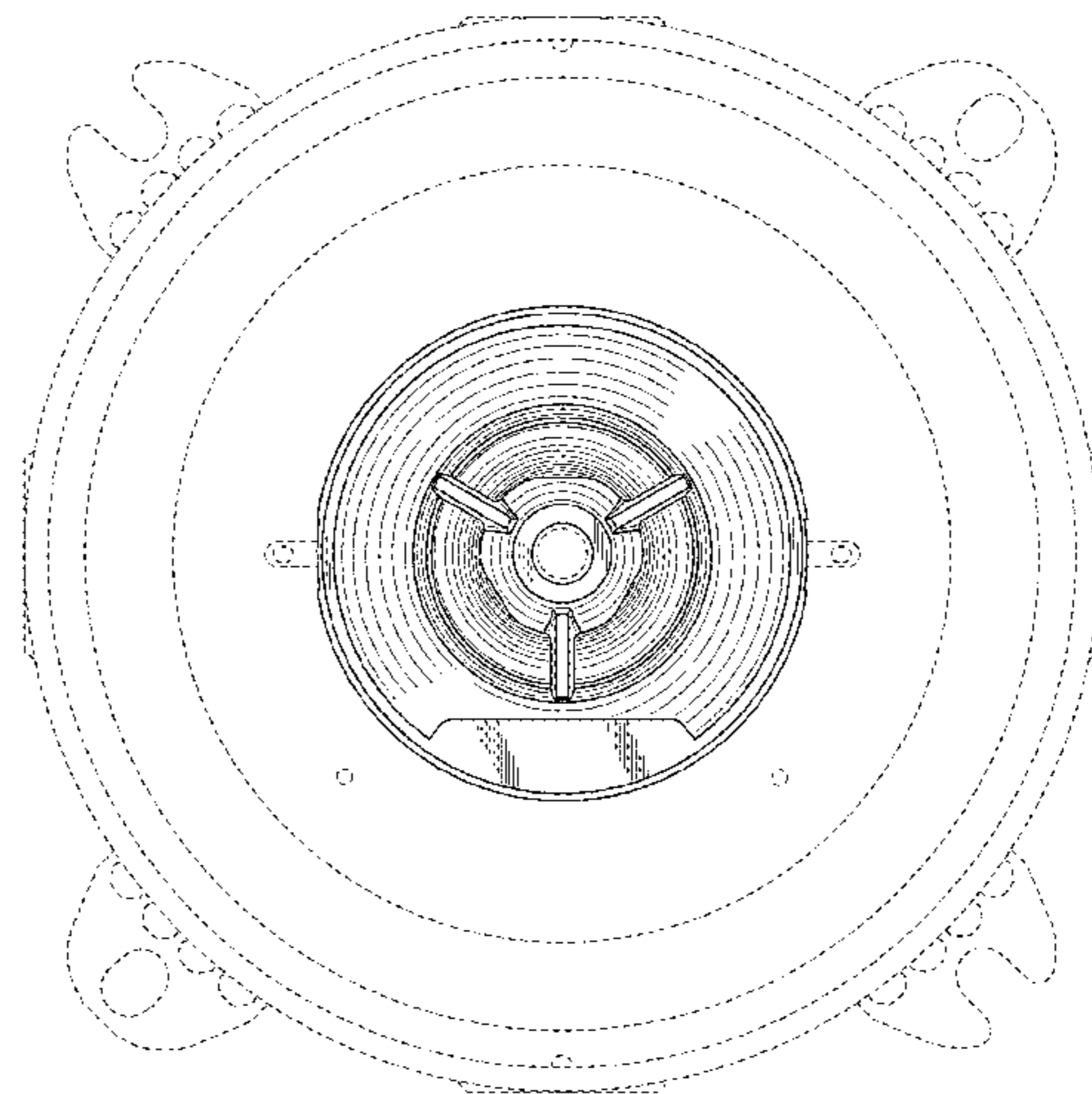
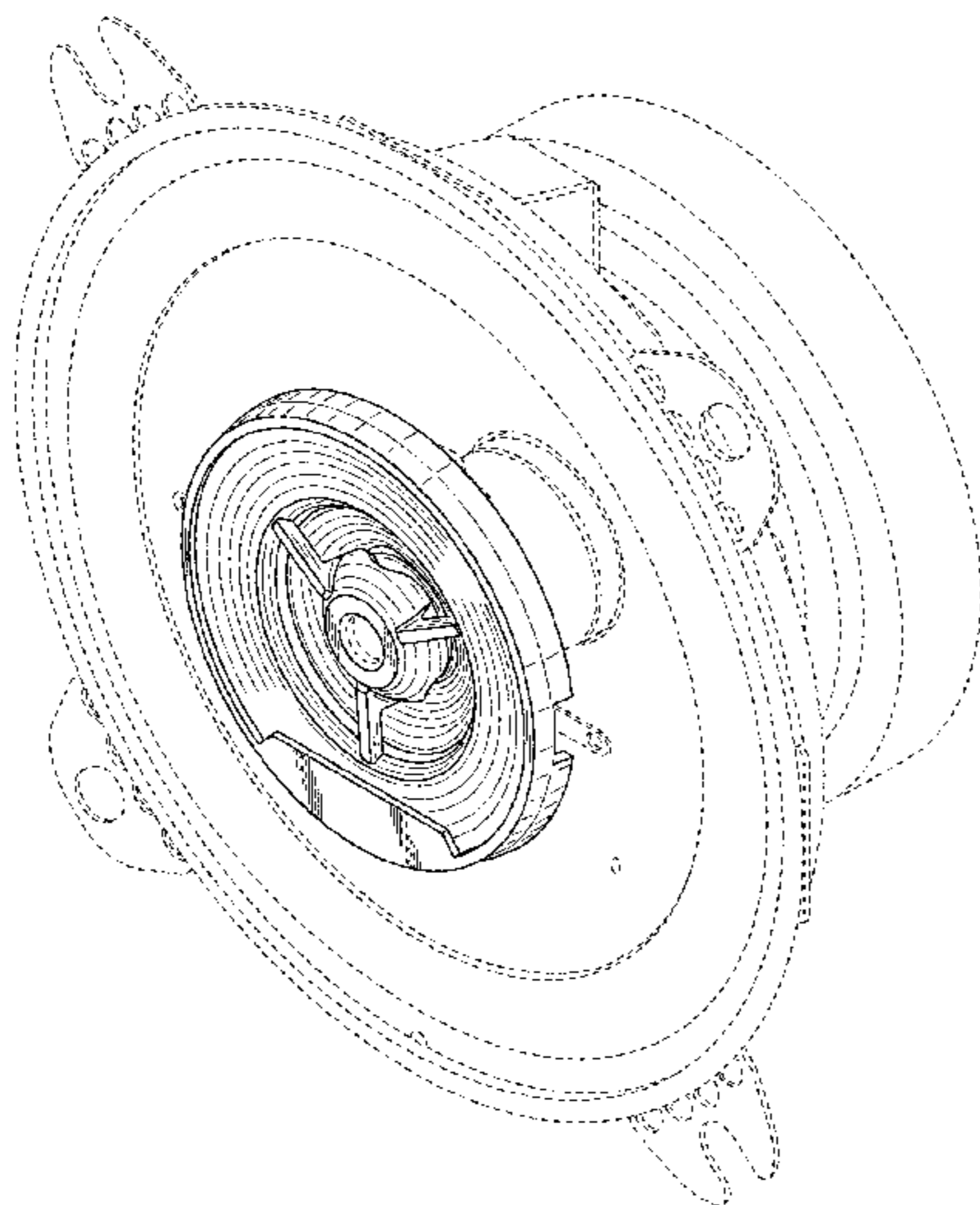
FIG. 5 is a bottom view of FIG. 1;

FIG. 6 is a right side view of FIG. 1; and,

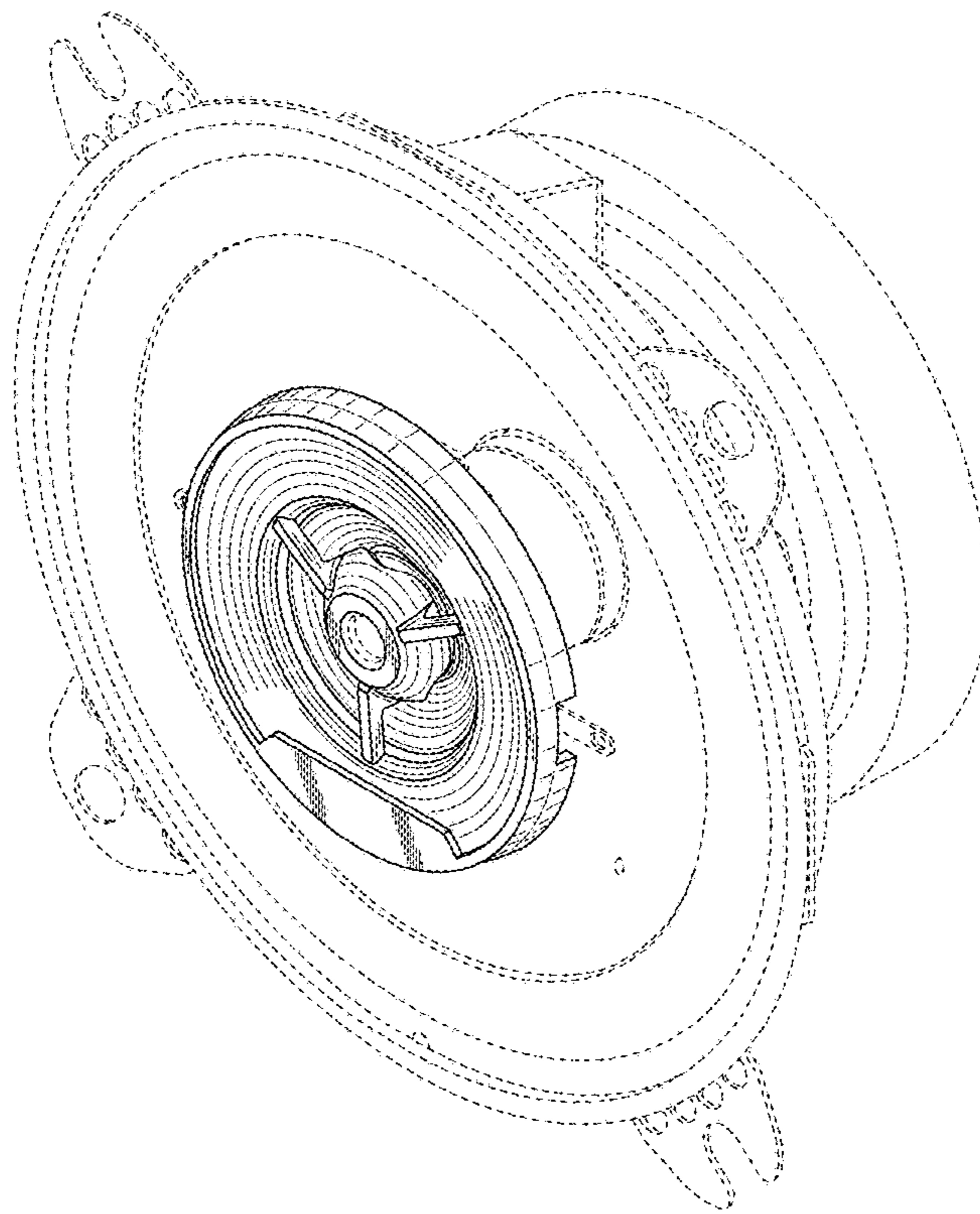
FIG. 7 is a left side view of FIG. 1.

The broken lines in the drawings are for the purpose of illustrating portions of the automotive speaker that form no part of the claimed design.

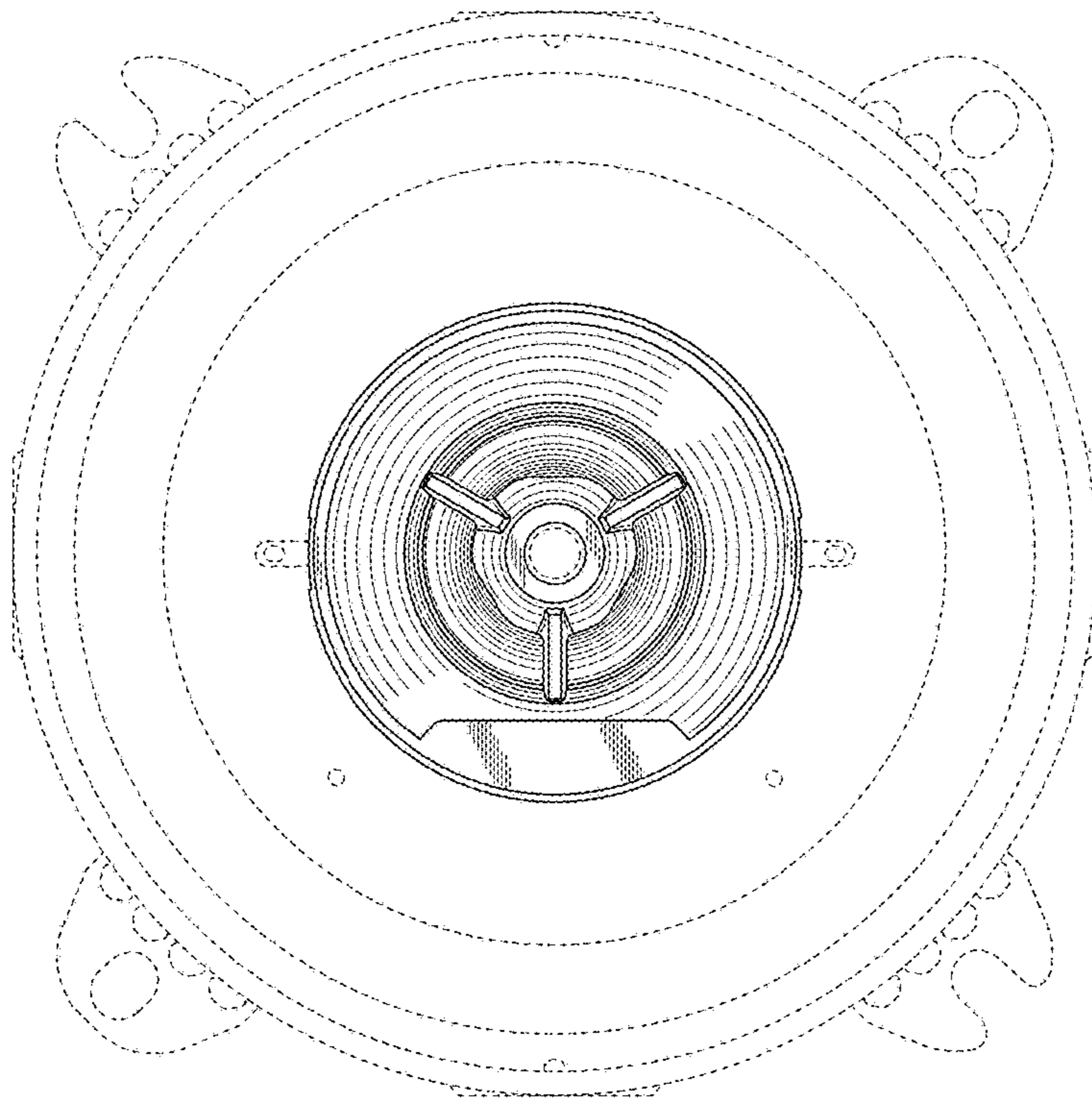
**1 Claim, 7 Drawing Sheets**



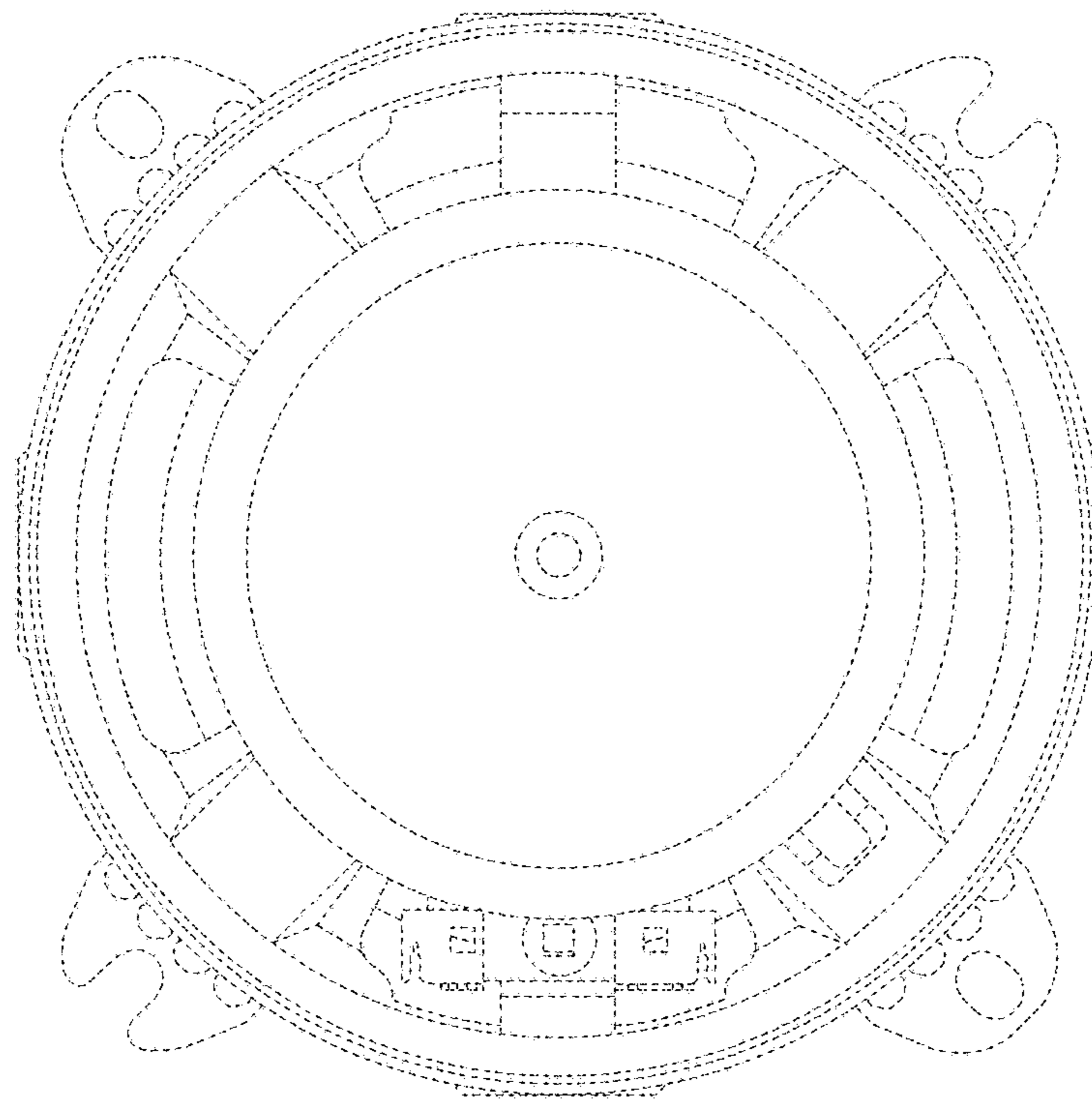
**FIG. 1**



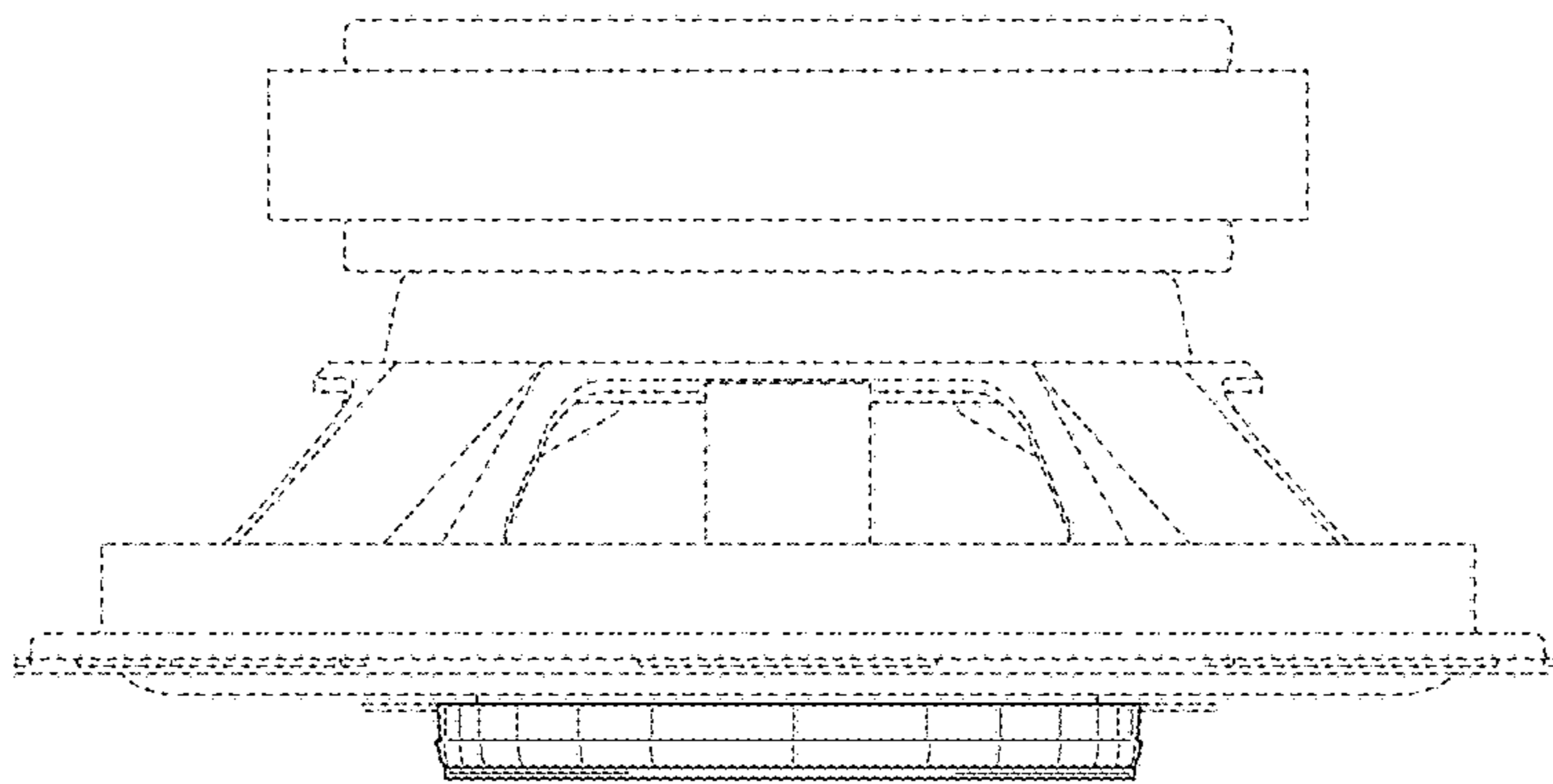
**FIG. 2**



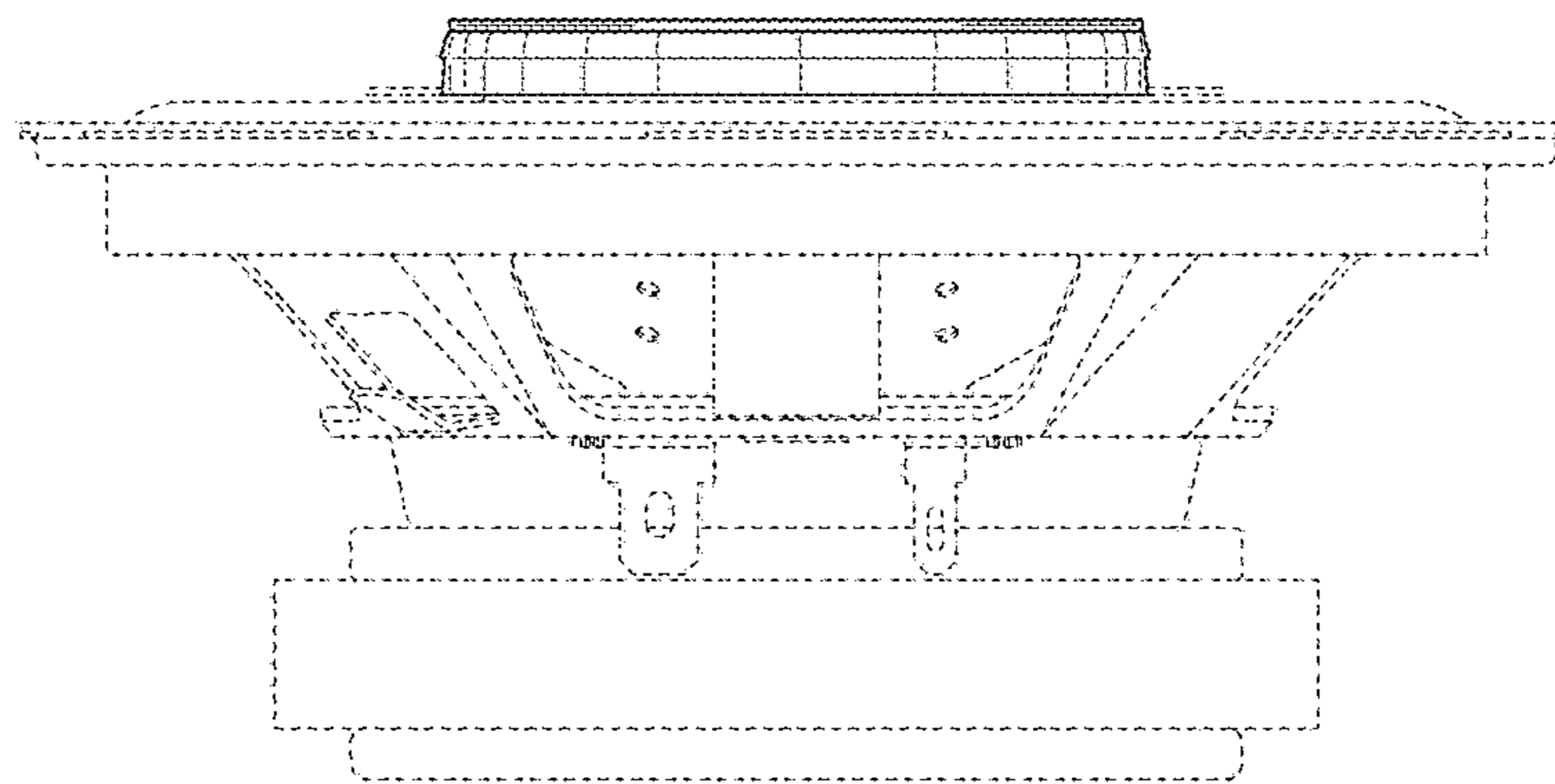
**FIG. 3**



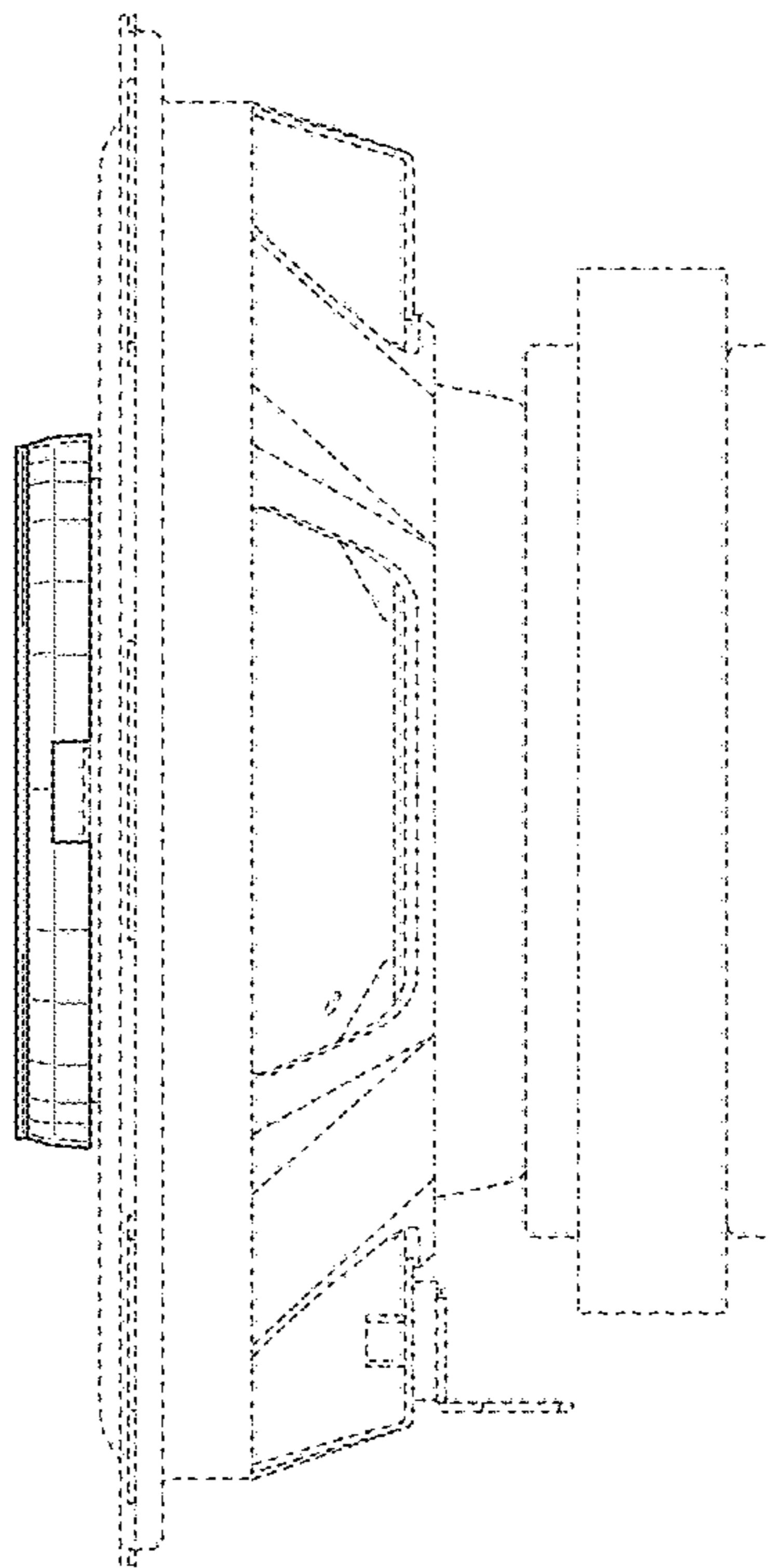
**FIG. 4**



*FIG. 5*



**FIG. 6**



**FIG. 7**

