



US00D840373S

(12) **United States Design Patent**  
**Lee et al.**

(10) **Patent No.:** **US D840,373 S**  
(45) **Date of Patent:** **\*\* Feb. 12, 2019**

(54) **HEADSET**

(71) Applicant: **Kingston Digital, Inc.**, Fountain Valley, CA (US)

(72) Inventors: **Baron King Lee**, Fountain Valley, CA (US); **Peter Leekuo Chou**, Fountain Valley, CA (US); **Guan Hua Tzeng**, Hsinchu (TW); **Pen Hao Ma**, Hsinchu (TW)

(73) Assignee: **Kingston Digital, Inc.**, Fountain Valley, CA (US)

(\*\*) Term: **15 Years**

(21) Appl. No.: **29/613,910**

(22) Filed: **Aug. 14, 2017**

(30) **Foreign Application Priority Data**

Mar. 27, 2017 (TW) ..... 106301584

(51) **LOC (11) Cl.** ..... **14-01**

(52) **U.S. Cl.**  
USPC ..... **D14/206**

(58) **Field of Classification Search**

USPC ..... D14/206, 205, 188, 192, 372, 225, 226;  
D29/112; 2/209; 181/129, 130, 135;  
379/430, 431; 381/380, 381, 374, 375,  
381/74; 455/90.3, 575.1, 569.1; 345/7,  
345/8, 9

CPC .... H04R 1/1066; H04R 1/1016; H04R 25/00;  
H04R 25/02; H04R 5/033; H04R 5/0335;  
H04R 1/1083; H04R 1/08; H04R 19/04

See application file for complete search history.

(56) **References Cited**

**U.S. PATENT DOCUMENTS**

D229,833 S \* 1/1974 Becker ..... D14/205  
D233,444 S \* 10/1974 Christian ..... D14/206

D234,957 S \* 4/1975 Huntington ..... D14/225  
4,459,707 A \* 7/1984 Stallings ..... A61F 11/14  
181/129  
4,987,592 A \* 1/1991 Flagg ..... H04M 1/05  
379/430  
D322,071 S \* 12/1991 Bergin ..... D14/205  
5,068,923 A \* 12/1991 Sjoqvist ..... A61F 11/14  
181/129  
5,185,807 A \* 2/1993 Bergin ..... H04R 1/1066  
181/128  
5,210,792 A \* 5/1993 Kajihara ..... H04M 1/05  
379/430  
5,384,857 A \* 1/1995 Nordin ..... A61F 11/14  
381/374  
5,406,037 A \* 4/1995 Nageno ..... H04R 5/0335  
181/129  
D377,174 S \* 1/1997 Runquist ..... D14/206  
(Continued)

*Primary Examiner* — Paula Allen Greene

(74) *Attorney, Agent, or Firm* — Skaar Ulbrich Macari, P.A.

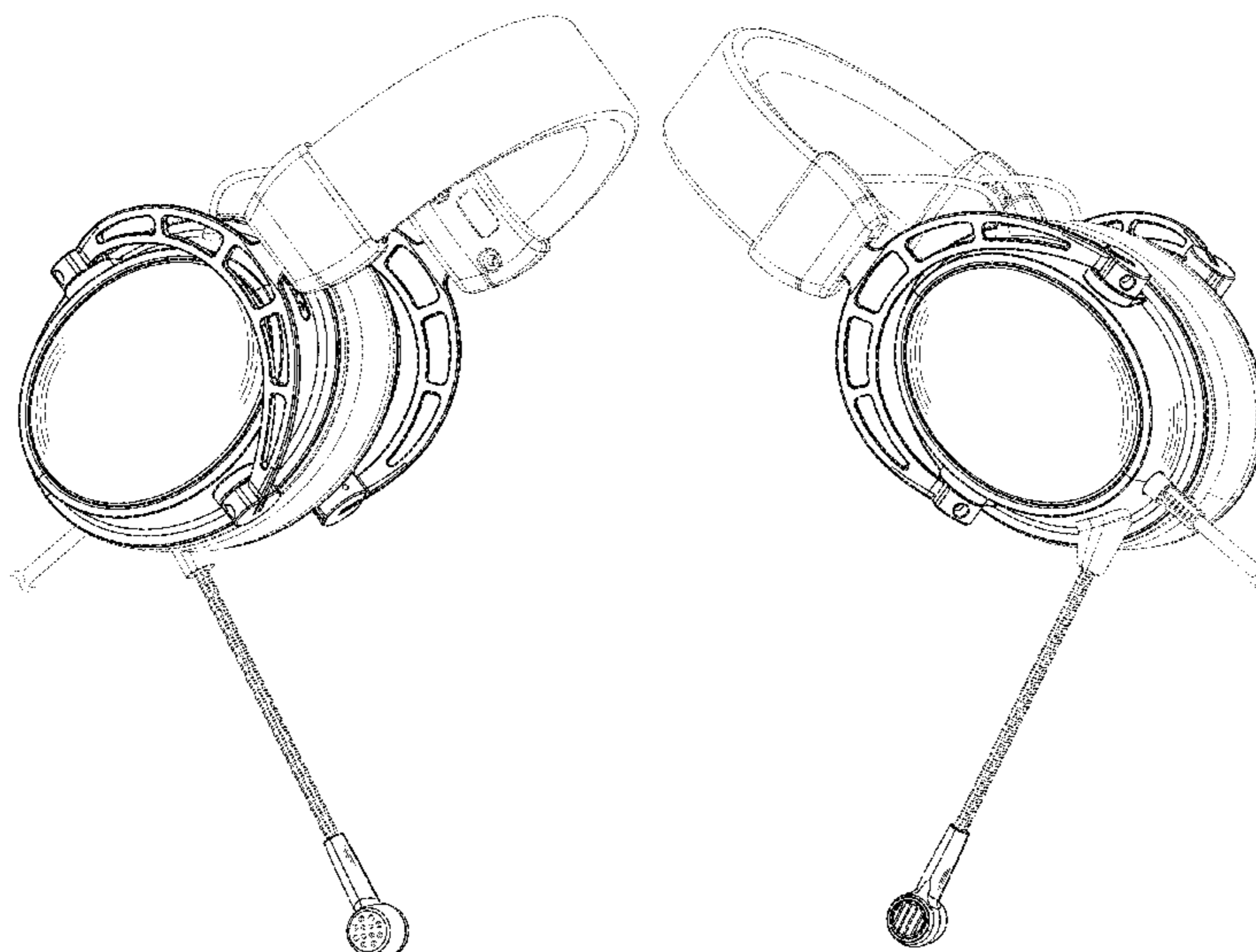
(57) **CLAIM**

We claim an ornamental design for a headset, as shown and described.

**DESCRIPTION**

FIG. 1 is a top left perspective view of a headset showing our new design;  
FIG. 2 is a top right perspective view of FIG. 1;  
FIG. 3 is a bottom left perspective view of FIG. 1;  
FIG. 4 is a bottom left right perspective view of FIG. 1;  
FIG. 5 is a front elevational view of FIG. 1;  
FIG. 6 is a rear elevational view of FIG. 1;  
FIG. 7 is a left side elevational view of FIG. 1;  
FIG. 8 is a right side elevational view of FIG. 1;  
FIG. 9 is a top plan view of FIG. 1; and,  
FIG. 10 is a bottom plan view of FIG. 1.  
The broken lines in the figures represent portions of the article which form no part of the claimed design.

**1 Claim, 10 Drawing Sheets**



(56)

References Cited

U.S. PATENT DOCUMENTS

D379,990 S \* 6/1997 Bungardt ..... D14/228  
 5,793,878 A \* 8/1998 Chang ..... H04R 5/0335  
 381/370  
 6,006,115 A \* 12/1999 Wingate ..... H04M 1/6033  
 379/110.01  
 D432,526 S \* 10/2000 Claesson ..... D14/228  
 D458,597 S \* 6/2002 Davies ..... D14/206  
 D462,946 S \* 9/2002 Beraut ..... D14/228  
 D476,645 S \* 7/2003 Padala ..... D14/223  
 6,952,481 B2 \* 10/2005 Larsen ..... H04M 1/05  
 379/430  
 D512,708 S \* 12/2005 Harris, Jr. .... D14/205  
 7,106,873 B1 \* 9/2006 Harrison ..... H04R 25/456  
 381/330  
 7,172,052 B2 \* 2/2007 Lenhard-Backhaus .....  
 H04R 1/1066  
 181/129  
 D541,255 S \* 4/2007 Taylor ..... D14/205  
 7,292,704 B2 \* 11/2007 Lederer ..... G01R 33/283  
 381/380  
 D585,871 S \* 2/2009 Lee ..... D14/205  
 D587,684 S \* 3/2009 Ham ..... D14/205  
 D592,639 S \* 5/2009 Kuh ..... D14/205

D594,847 S \* 6/2009 Suzuki ..... D14/205  
 D602,908 S \* 10/2009 Ham ..... D14/206  
 7,766,120 B2 \* 8/2010 Hansson ..... A61F 11/14  
 181/129  
 D637,579 S \* 5/2011 Hamaura ..... D14/205  
 D651,764 S \* 1/2012 Gresko ..... A61F 11/14  
 D29/112  
 8,098,872 B2 \* 1/2012 Chang ..... H04R 1/1075  
 381/370  
 D662,080 S \* 6/2012 Carr ..... D14/205  
 D673,524 S \* 1/2013 Brennwald ..... D14/206  
 D706,244 S \* 6/2014 Goransson ..... D14/225  
 D716,762 S \* 11/2014 Greve ..... D14/206  
 D721,052 S \* 1/2015 Carr ..... D14/205  
 D729,196 S \* 5/2015 Liu ..... D14/205  
 D734,297 S \* 7/2015 Sasaki ..... D14/205  
 D740,256 S \* 10/2015 Carr ..... D14/206  
 D782,999 S \* 4/2017 Spio ..... D14/206  
 9,706,281 B2 \* 7/2017 Hernandez Vazquez .....  
 H04R 1/08  
 D814,439 S \* 4/2018 Birath ..... D14/205  
 D815,614 S \* 4/2018 Tzeng ..... D14/205  
 D818,458 S \* 5/2018 Lee ..... D14/223  
 D821,354 S \* 6/2018 Ohmachi ..... D14/205  
 2011/0206216 A1 \* 8/2011 Brunner ..... H04R 1/1066  
 381/74

\* cited by examiner

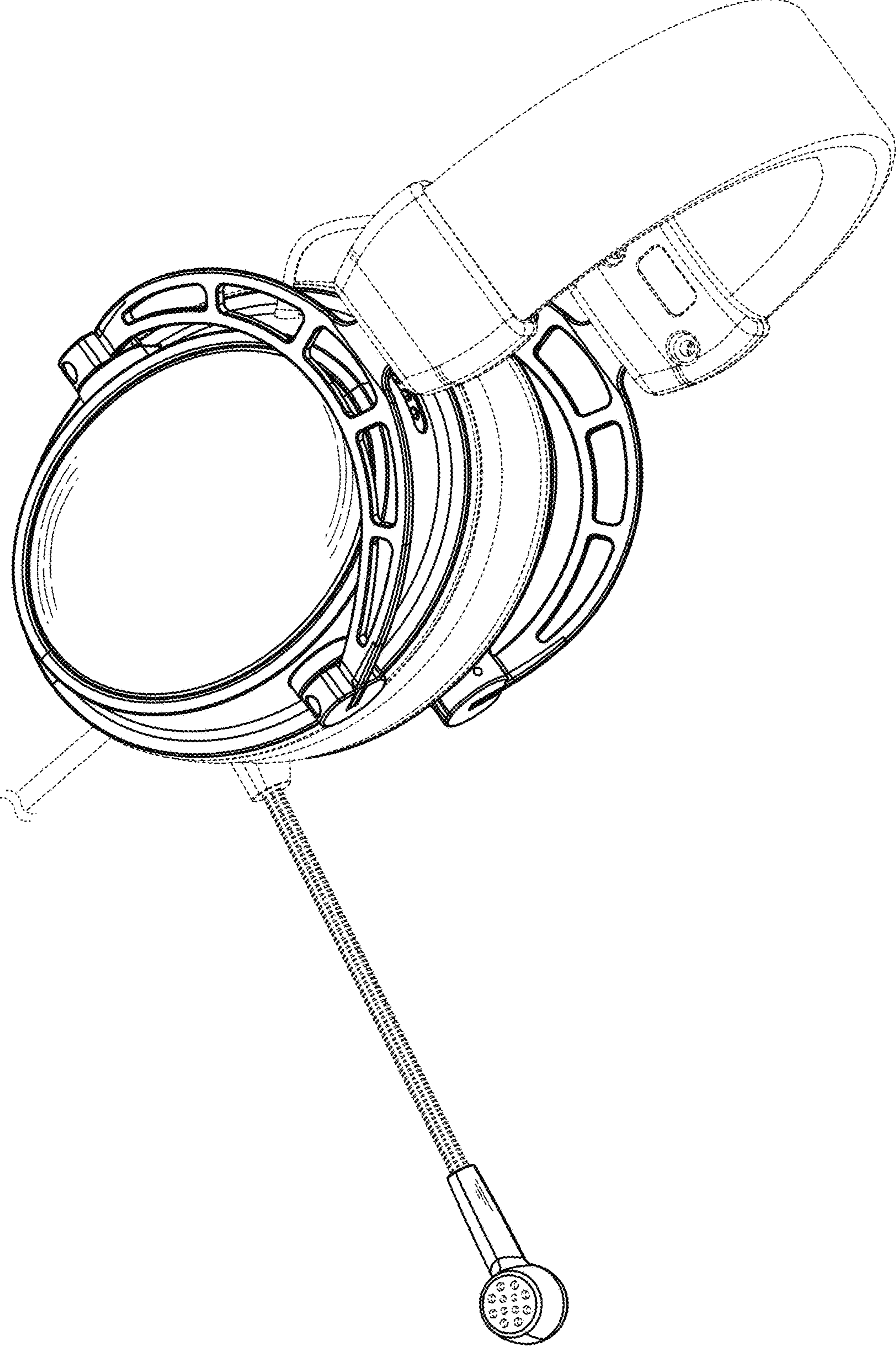


FIG.1

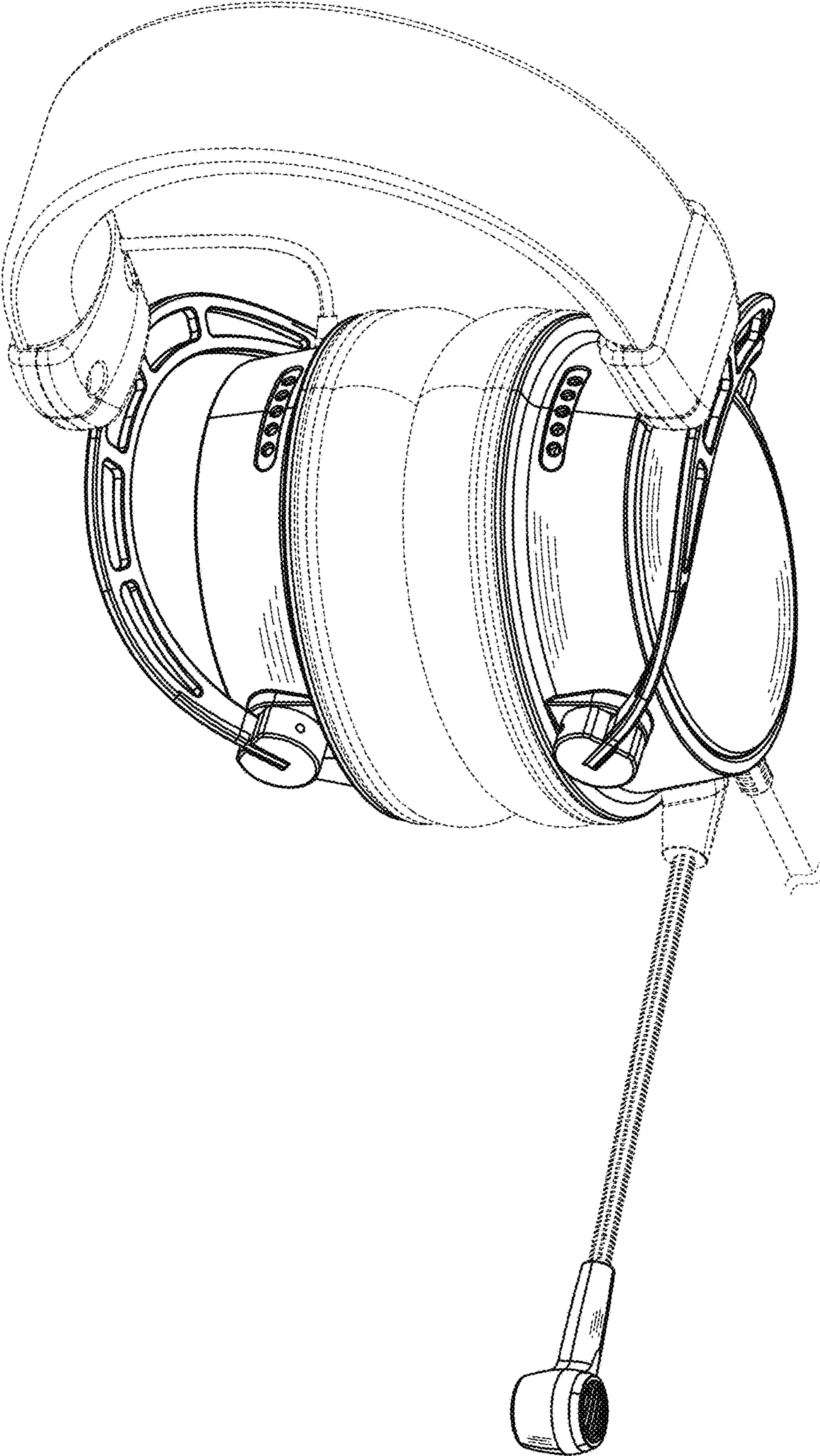


FIG.2

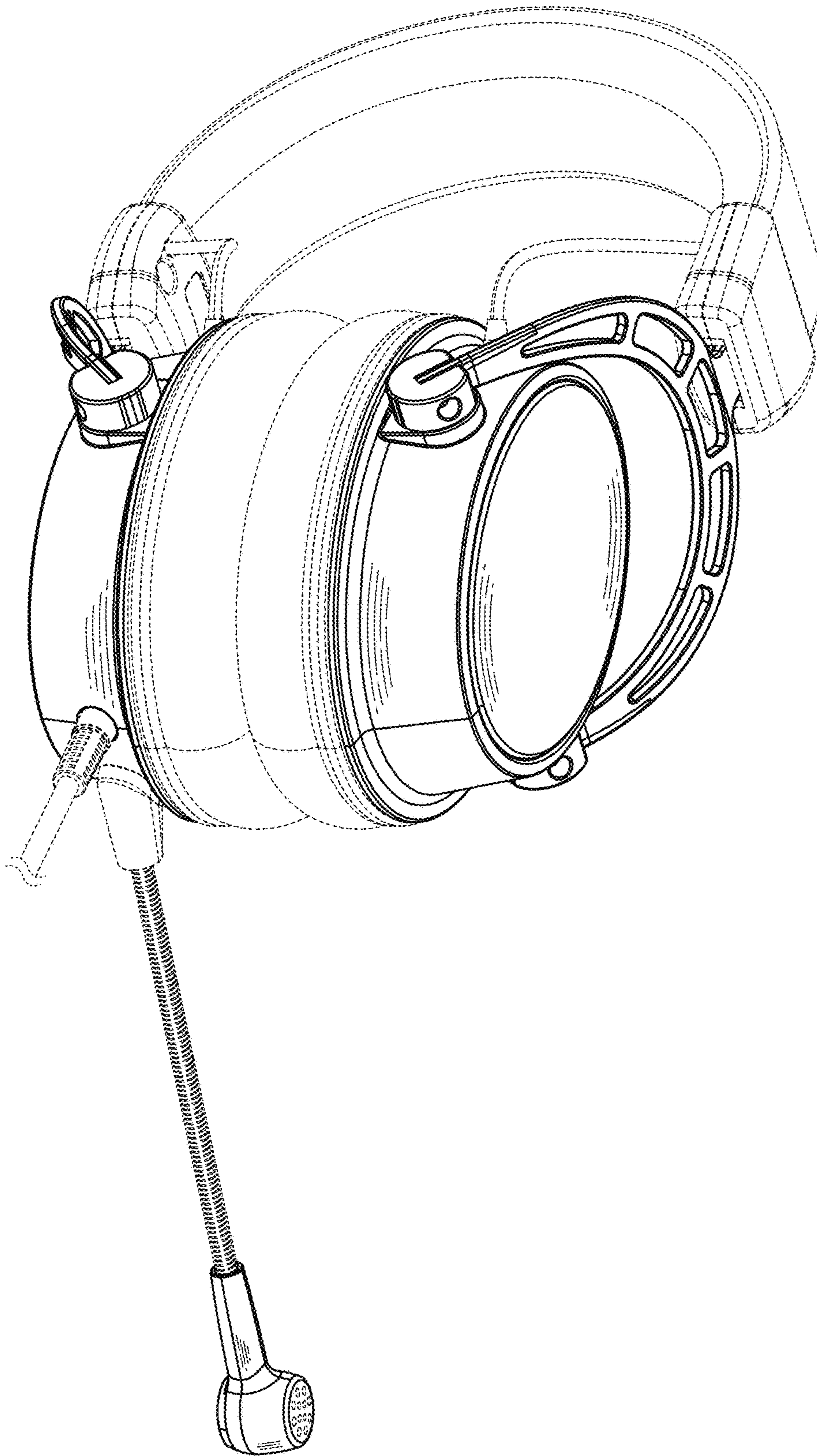


FIG.3

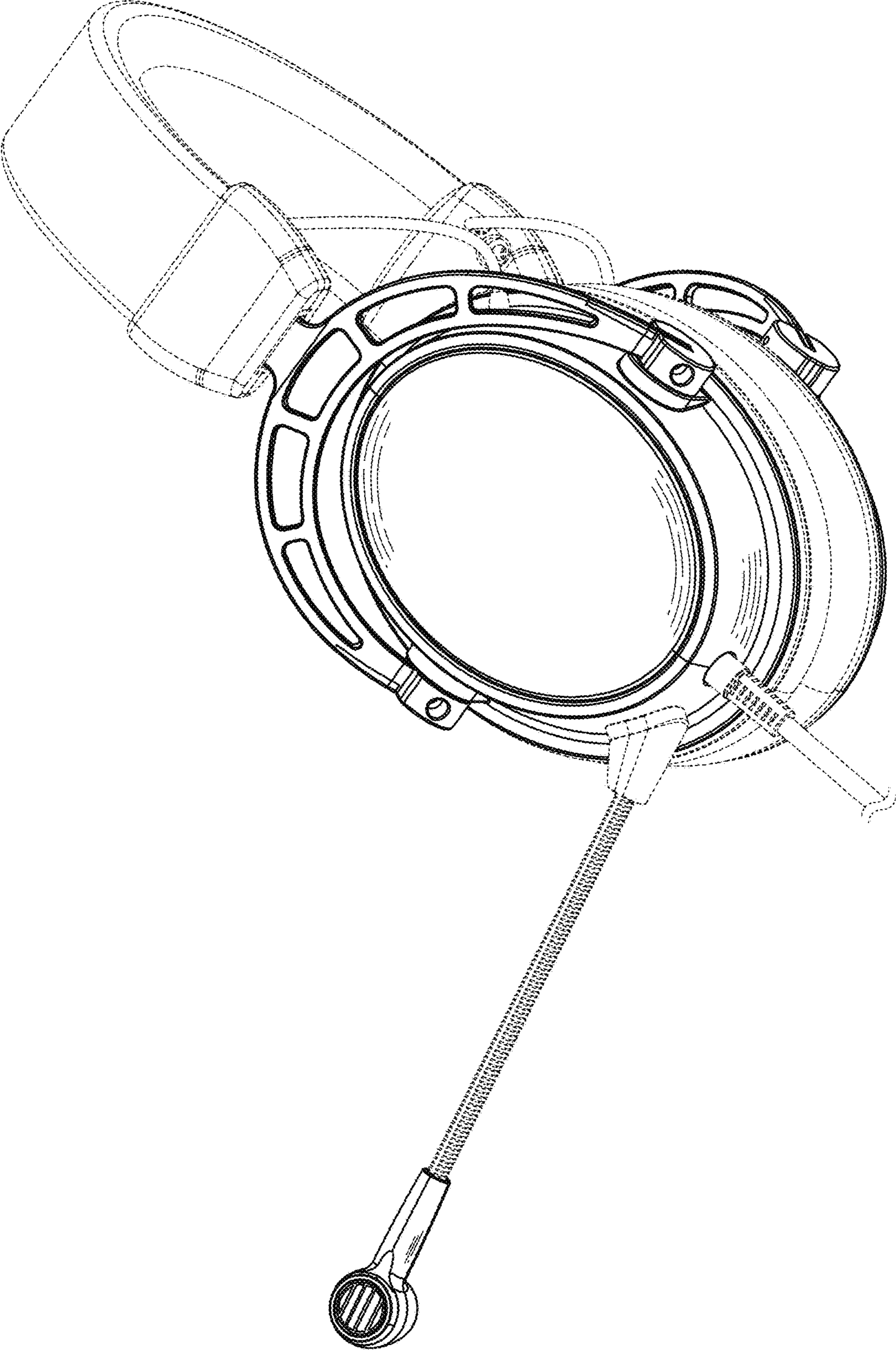


FIG.4

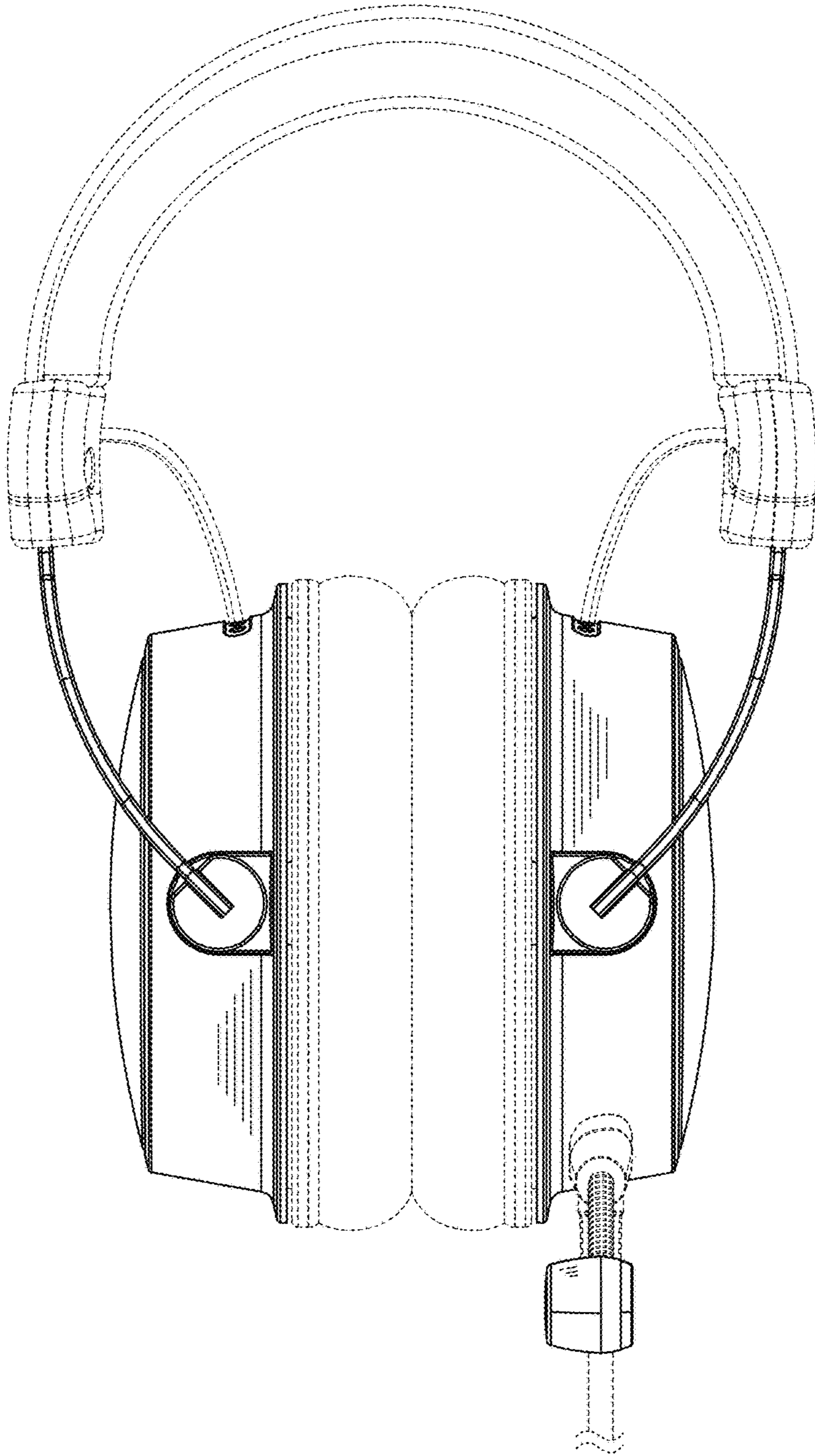


FIG.5

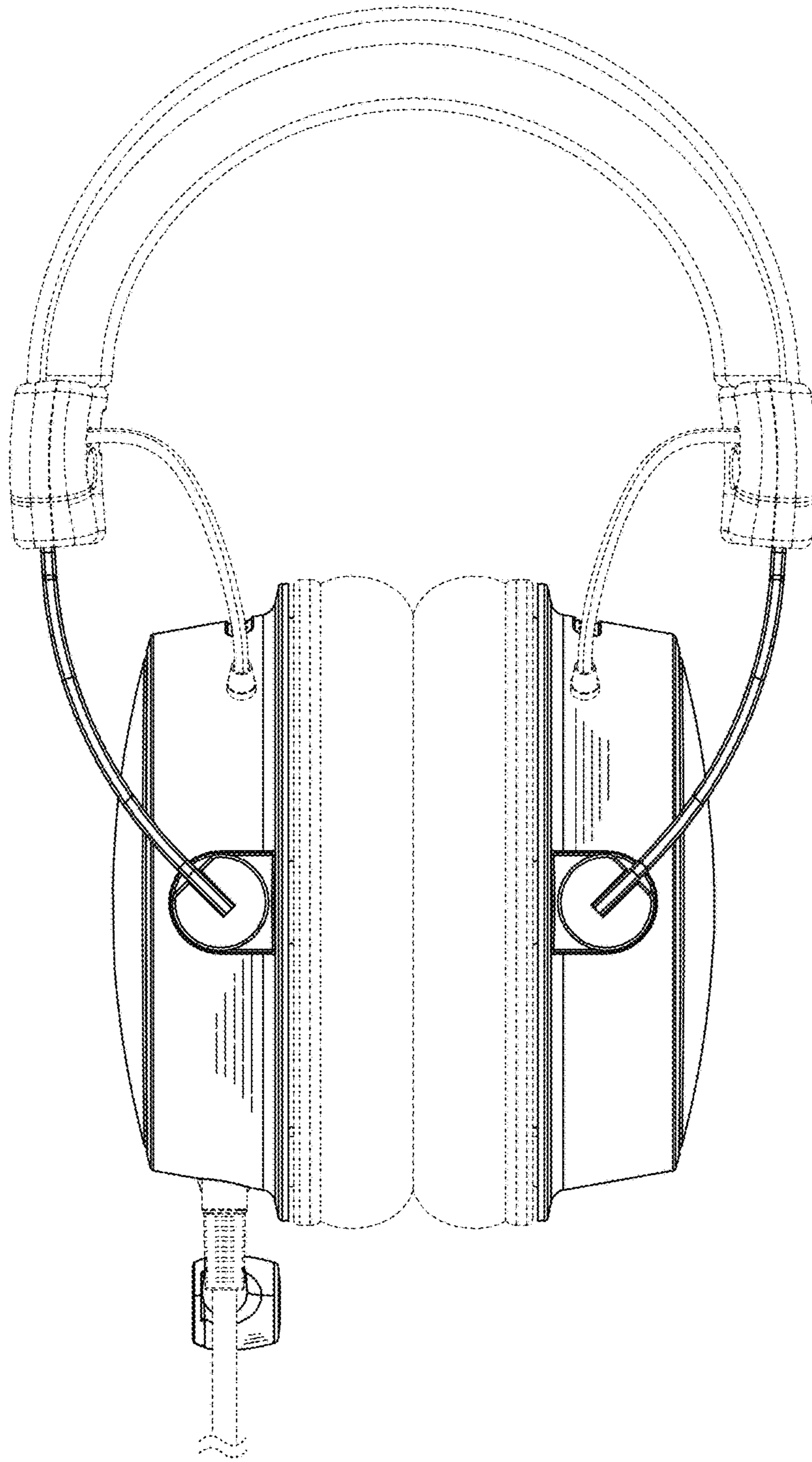


FIG.6



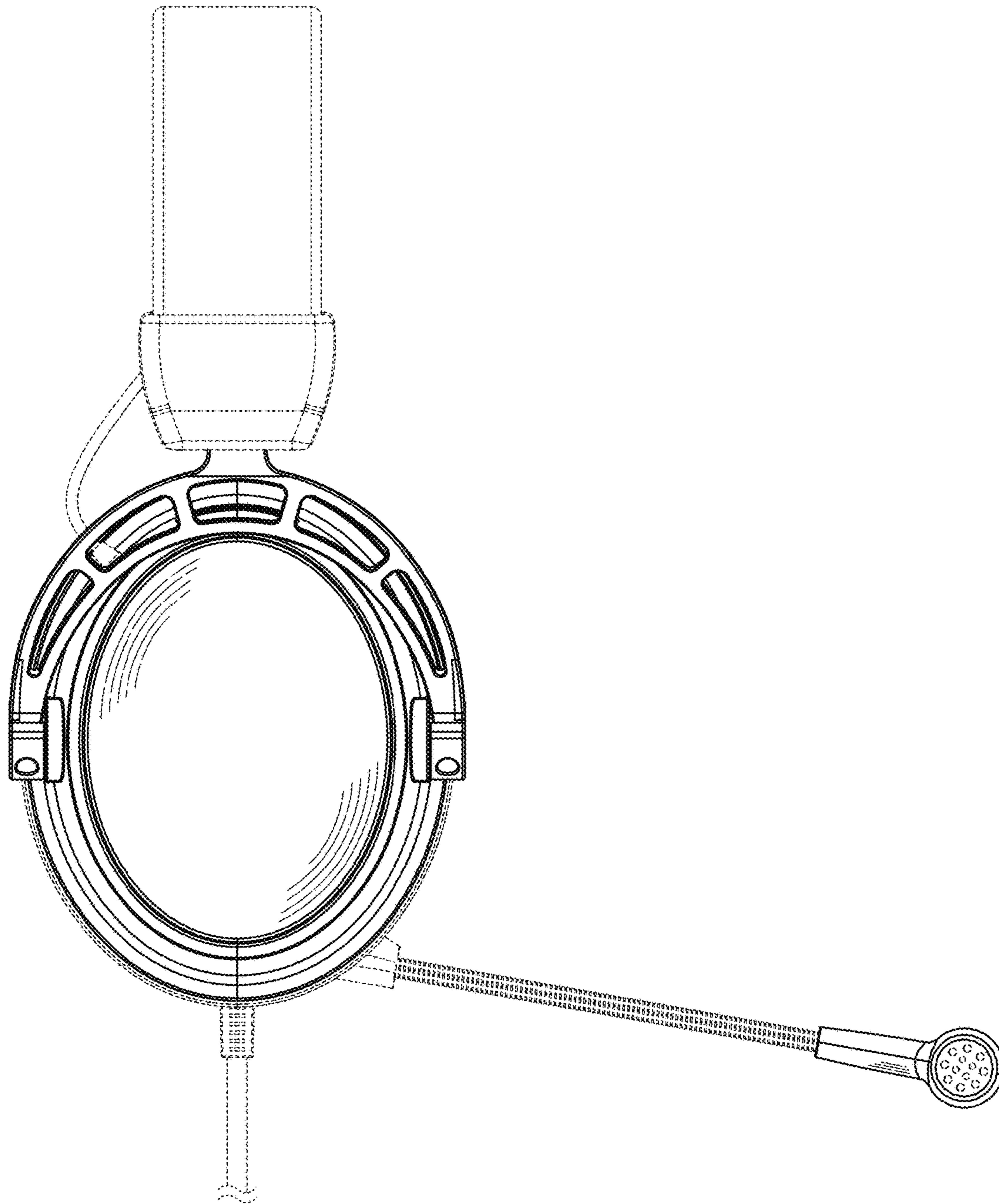


FIG.7

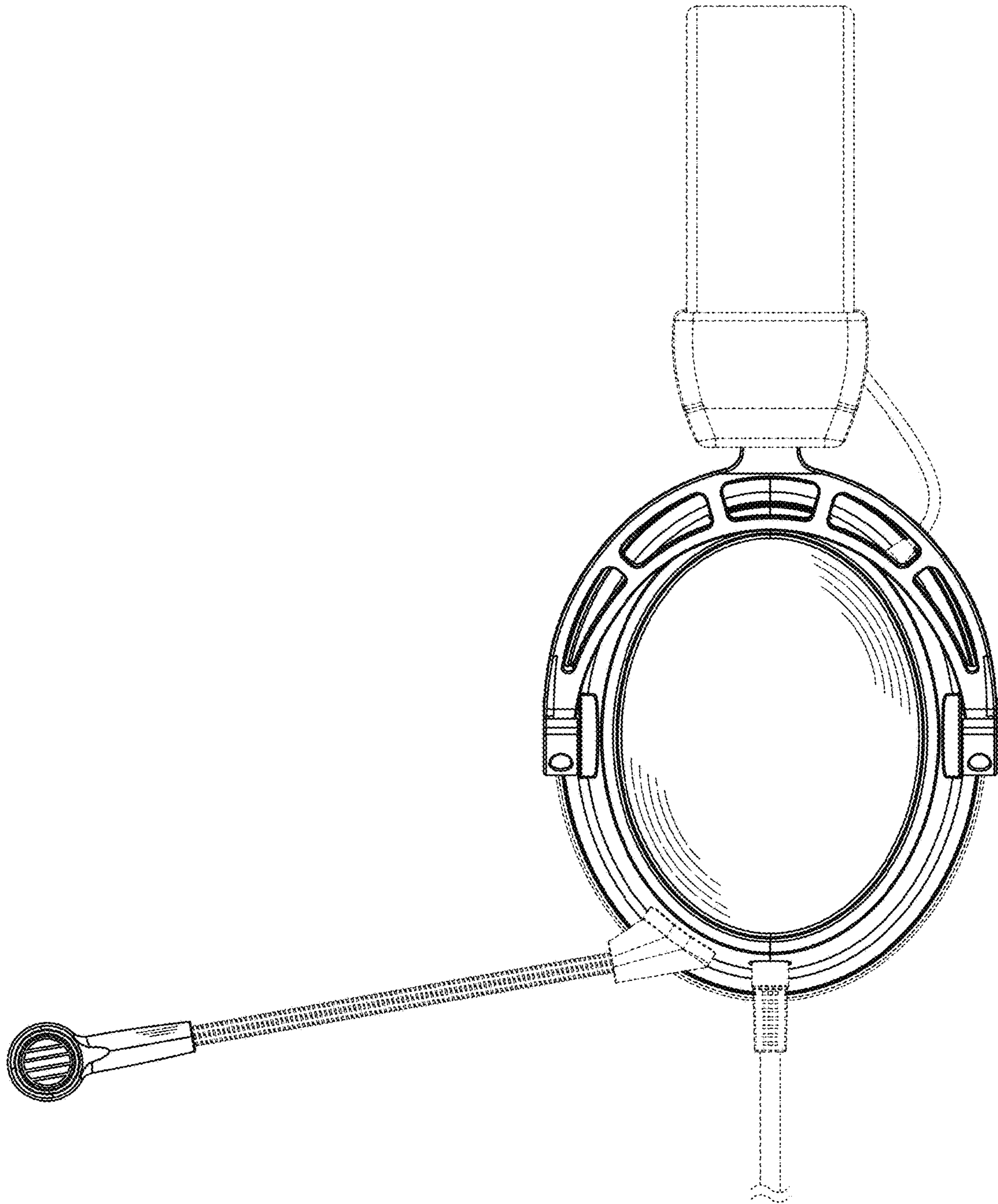


FIG. 8

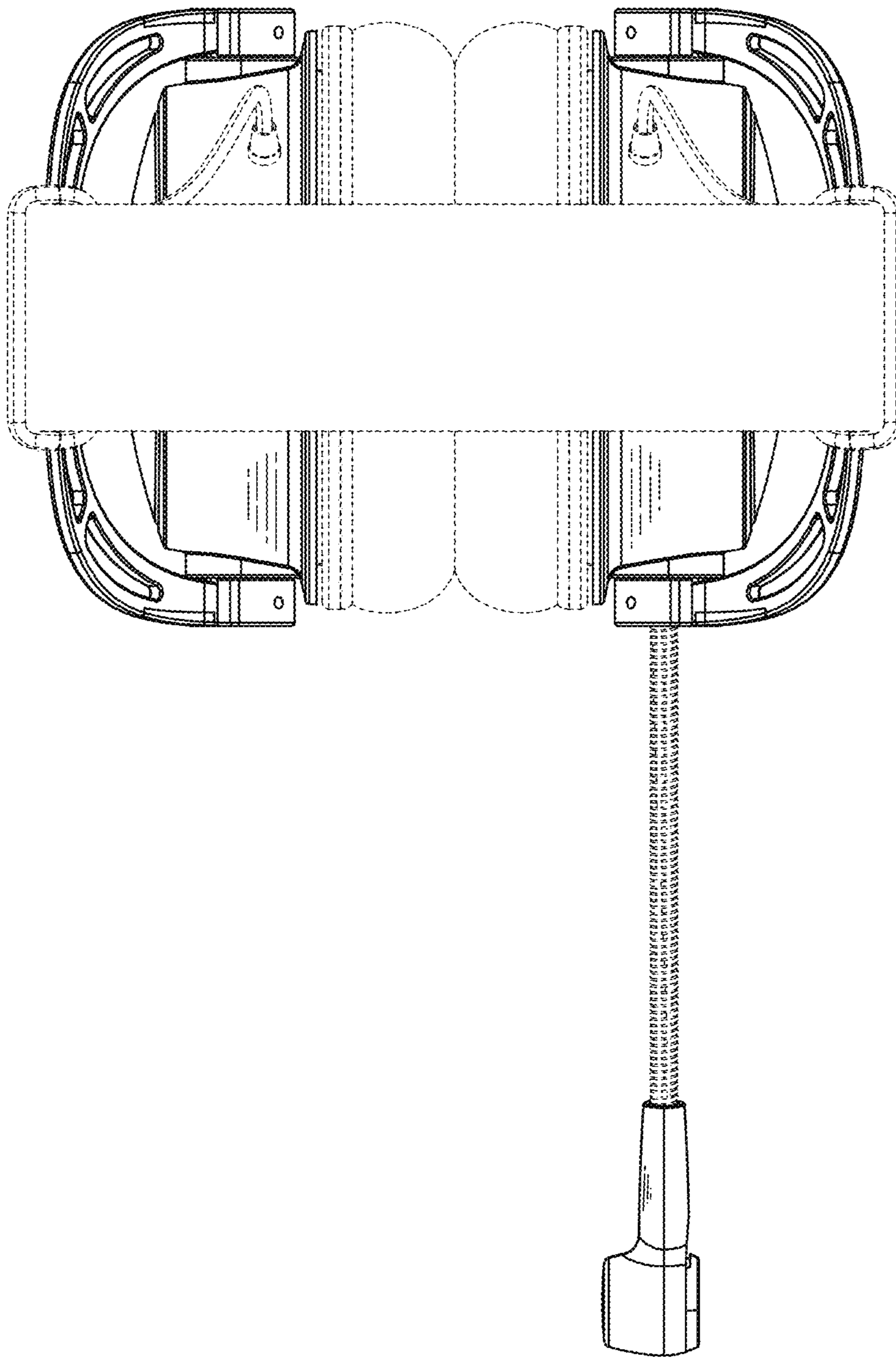


FIG.9

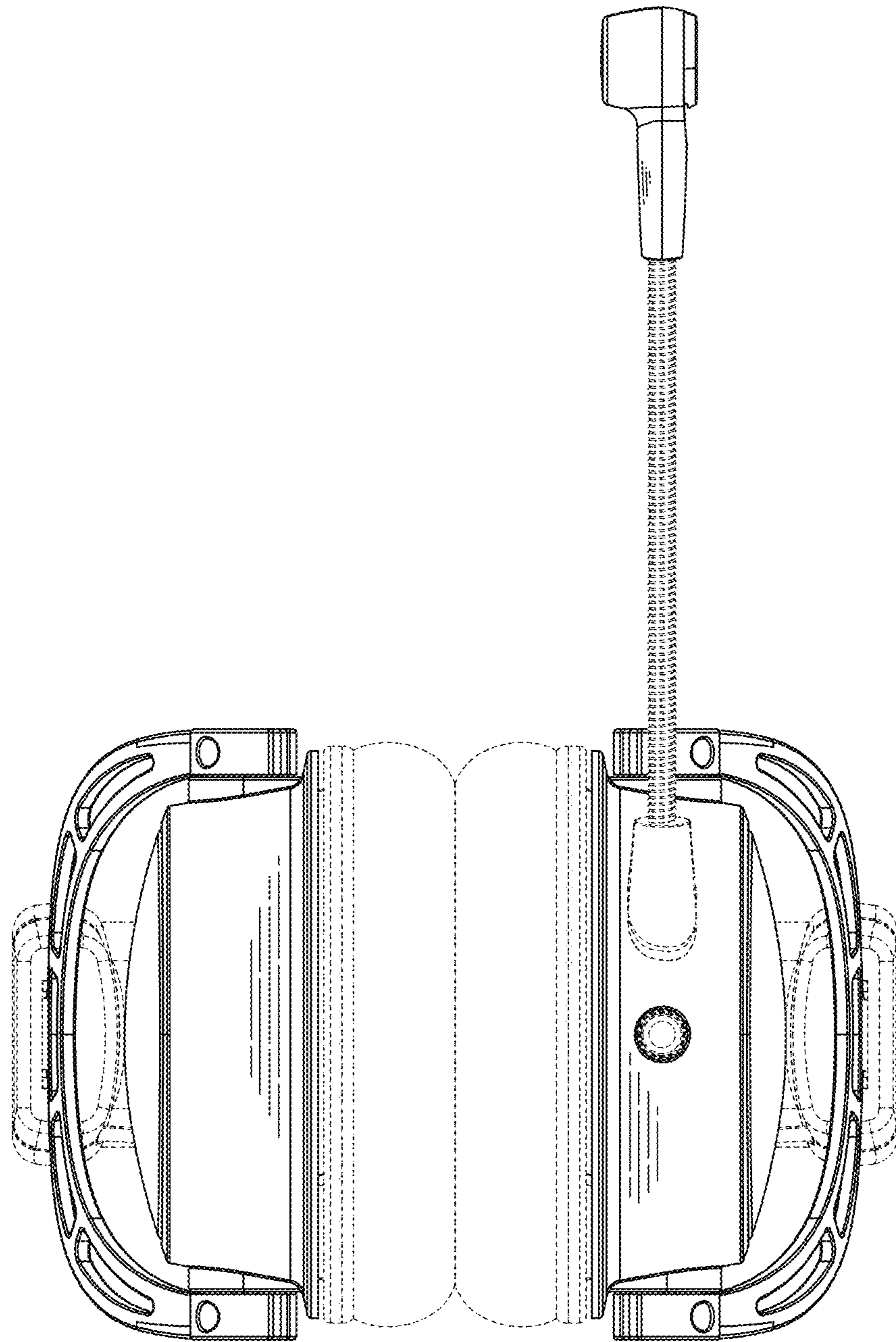


FIG. 10