



US00D840372S

(12) **United States Design Patent** (10) **Patent No.:** **US D840,372 S**  
**Carr** (45) **Date of Patent:** **\*\* Feb. 12, 2019**

(54) **COMMUNICATIONS HEADSET OR HEADPHONE**

(71) Applicant: **Plantronics, Inc.**, Santa Cruz, CA (US)

(72) Inventor: **Terry M Carr**, Santa Cruz, CA (US)

(73) Assignee: **Plantronics, Inc.**, Santa Cruz, CA (US)

(\*\*) Term: **15 Years**

(21) Appl. No.: **29/614,975**

(22) Filed: **Aug. 24, 2017**

(51) **LOC (11) Cl.** ..... **14-01**

(52) **U.S. Cl.**  
USPC ..... **D14/205**

(58) **Field of Classification Search**  
USPC ..... D14/205, 223; D24/174; 181/129, 130, 181/135; 379/430, 431; 381/380, 381, 381/328, 322, 325-326, 370, 382, 72, 74; 455/90.3, 575.1, 569.1  
CPC ..... H04R 1/10; H04R 1/1016; H04R 1/1066; H04R 1/105; H04R 1/1091; H04R 5/033; H04R 5/0335; H04R 25/00; H04R 1/1033  
See application file for complete search history.

(56) **References Cited**

**U.S. PATENT DOCUMENTS**

- 4,972,492 A \* 11/1990 Tanaka ..... H04R 1/1016  
181/130
- D469,755 S \* 2/2003 Hlas ..... D14/223
- D470,123 S \* 2/2003 Hlas ..... D14/205
- 6,731,772 B1 \* 5/2004 Byun ..... H04R 1/12  
181/130
- D511,157 S \* 11/2005 Johnson ..... D14/223
- D529,901 S \* 10/2006 Ohta ..... D14/223
- D605,170 S \* 12/2009 Keinanen ..... D14/205
- D605,636 S \* 12/2009 Yang ..... D14/223
- D614,172 S \* 4/2010 Brennwald ..... D14/223
- D628,188 S \* 11/2010 Koch ..... D14/205
- D641,738 S \* 7/2011 Perez ..... D14/223

- D653,235 S \* 1/2012 McManigal ..... D14/205
- D654,056 S \* 2/2012 Hoggarth ..... D14/205
- D659,117 S \* 5/2012 Krauss ..... D14/205
- D681,602 S \* 5/2013 Koch ..... D14/205
- D682,808 S \* 5/2013 Fletcher ..... D14/205
- D682,809 S \* 5/2013 Fletcher ..... D14/205
- D685,343 S \* 7/2013 Fletcher ..... D14/205
- D685,760 S \* 7/2013 Fletcher ..... D14/205
- D685,761 S \* 7/2013 Fletcher ..... D14/205
- D685,764 S \* 7/2013 Coulter ..... D14/205

(Continued)

**FOREIGN PATENT DOCUMENTS**

- WO WO-2006007541 A1 \* 1/2006 ..... H04M 1/05
- WO WO-2006104981 A2 \* 10/2006 ..... H04M 1/05

**OTHER PUBLICATIONS**

Kelley et al., "Ear Tip with Anti-Tragus Stabilizer," U.S. Appl. No. 15/438,595, filed Feb. 21, 2017, 38 pages.

*Primary Examiner* — Paula Allen Greene

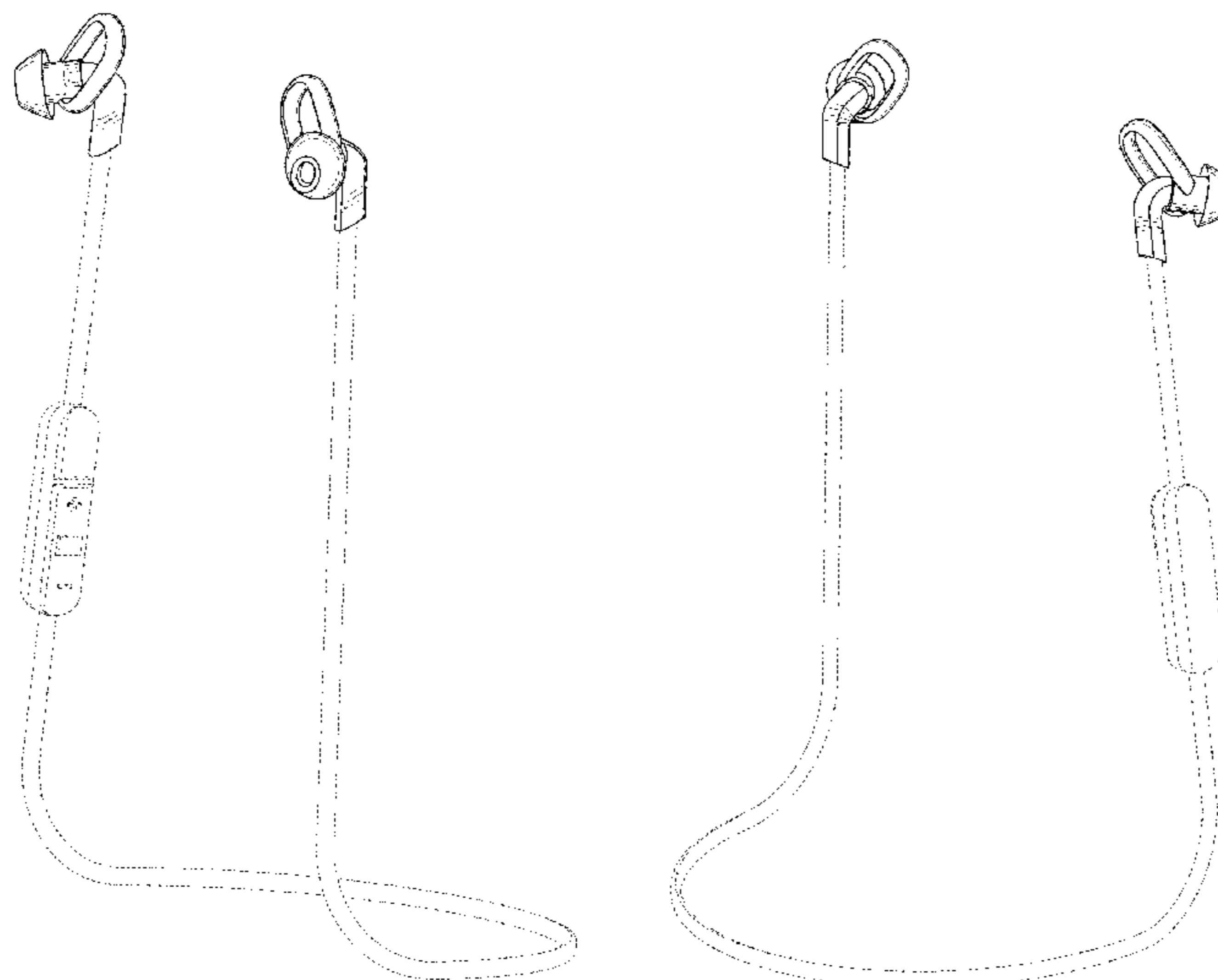
(57) **CLAIM**

The ornamental design for a communications headset or headphone, as shown and described.

**DESCRIPTION**

FIG. 1 is a front-right perspective view of a communications headset or headphone showing our new design; FIG. 2 is a back-left perspective view thereof; FIG. 3 is a front view thereof; FIG. 4 is a back view thereof; FIG. 5 is a left side view thereof; FIG. 6 is a right side view thereof; FIG. 7 is a top view thereof; and, FIG. 8 is a bottom view thereof. The broken lines showing the unclaimed features form no part of the claimed design.

**1 Claim, 8 Drawing Sheets**



(56)

References Cited

U.S. PATENT DOCUMENTS

D687,410 S *	8/2013	Fletcher	.....	D14/205	D782,997 S *	4/2017	Shin	.....	D14/205
D687,418 S *	8/2013	Godfrey	.....	D14/223	D785,594 S *	5/2017	Zaihui	.....	D14/205
D699,215 S *	2/2014	Koch	.....	D14/205	D786,216 S *	5/2017	Silva	.....	D14/205
D715,254 S *	10/2014	Lee	.....	D14/205	D796,475 S	9/2017	Wang et al.		
D716,272 S *	10/2014	Yang	.....	D14/223	D813,849 S *	3/2018	Andreen	.....	D14/223
D717,765 S *	11/2014	Rausch	.....	D14/205	D818,989 S *	5/2018	Silva	.....	D14/205
D718,744 S *	12/2014	Thompson	.....	D14/223	D822,636 S *	7/2018	Liu	.....	D14/205
D722,040 S *	2/2015	Tan	.....	D14/205	2002/0131585 A1 *	9/2002	Jones	.....	H04M 1/05
D726,145 S *	4/2015	Hsieh	.....	D14/205					379/431
D727,871 S *	4/2015	Orbach	.....	D14/205	2011/0176699 A1 *	7/2011	Lin	.....	H04R 1/1016
D729,775 S *	5/2015	Seo	.....	D14/205					381/374
D745,489 S *	12/2015	Bjelle	.....	D14/205	2011/0317864 A1 *	12/2011	Kaneko	.....	H04R 1/1066
9,264,792 B2 *	2/2016	Mainini	.....	H04R 1/105					381/380
D767,532 S *	9/2016	Jen	.....	D14/205	2013/0170692 A1 *	7/2013	Kaneko	.....	H04R 1/1016
D776,083 S *	1/2017	Lee	.....	D14/205					381/380
D777,139 S *	1/2017	Fletcher	.....	D14/205	2014/0138150 A1 *	5/2014	Huang	.....	H04R 1/1033
D778,873 S *	2/2017	Chen	.....	D14/205					174/71 R
D780,155 S *	2/2017	Levine	.....	D14/205	2014/0286515 A1 *	9/2014	Bone	.....	H04R 1/1016
D780,714 S *	3/2017	Vogt, Jr.	.....	D14/205					381/328
					2016/0037248 A1 *	2/2016	Cheng	.....	H04R 1/105
									381/74

\* cited by examiner

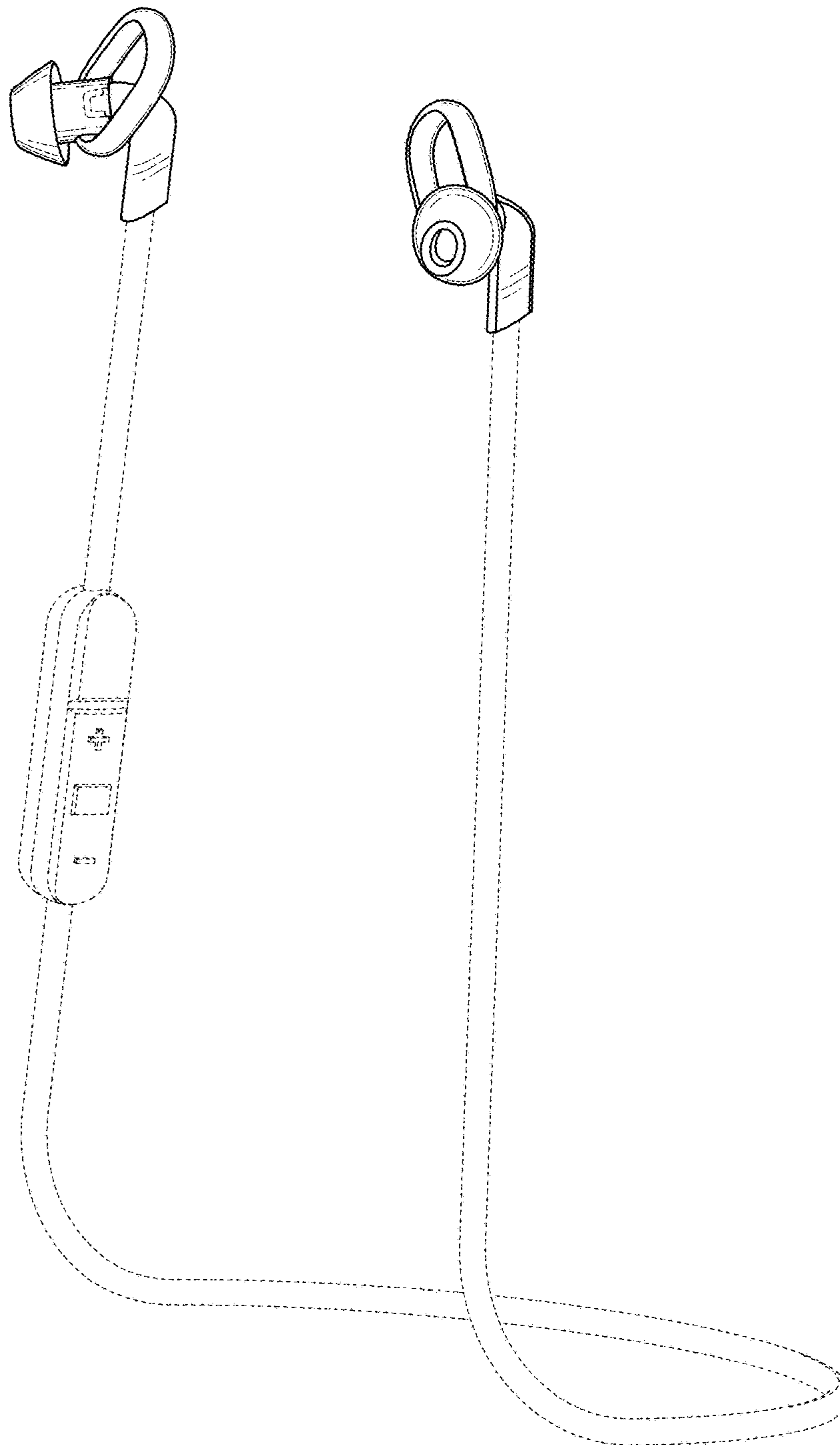


FIG. 1

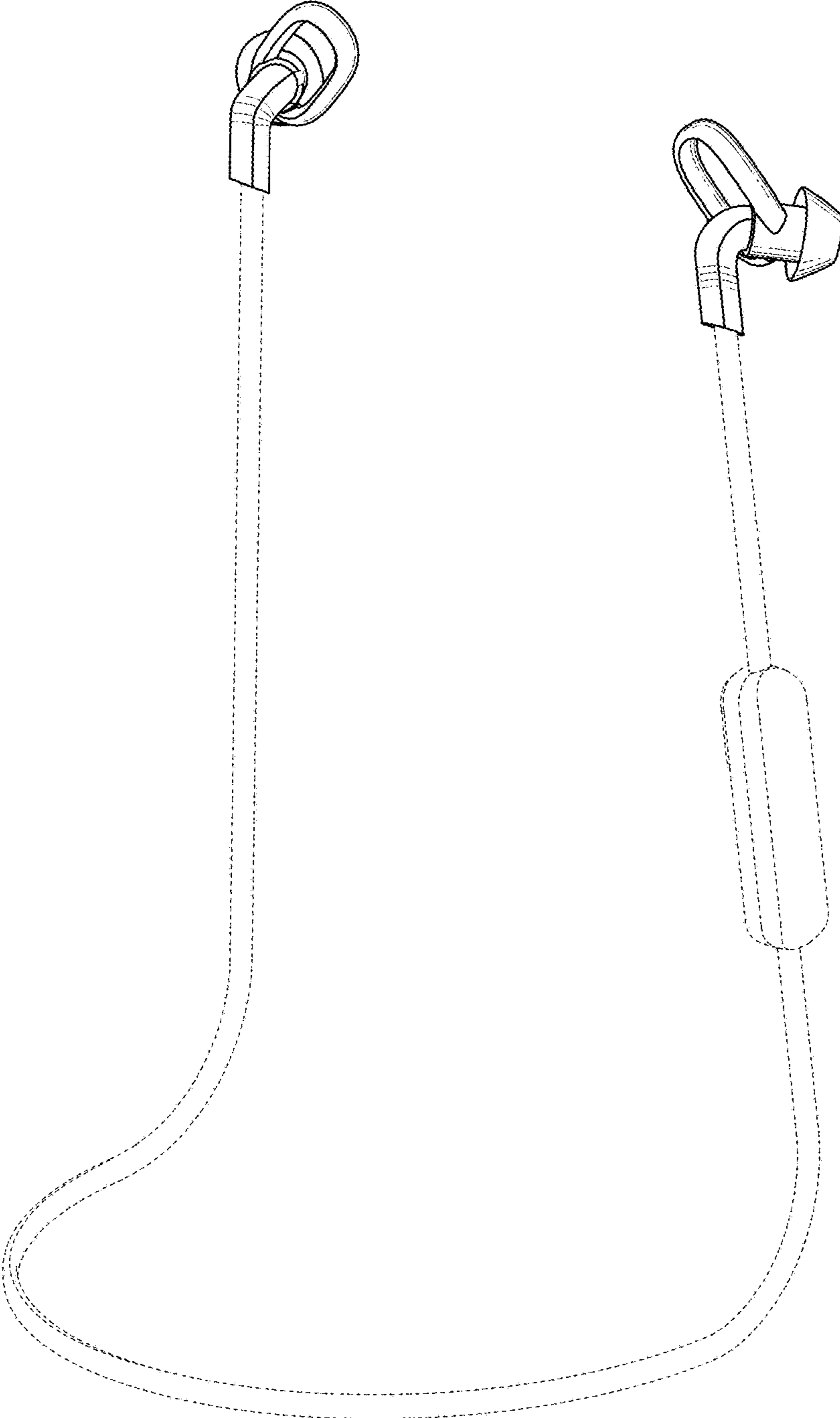


FIG. 2

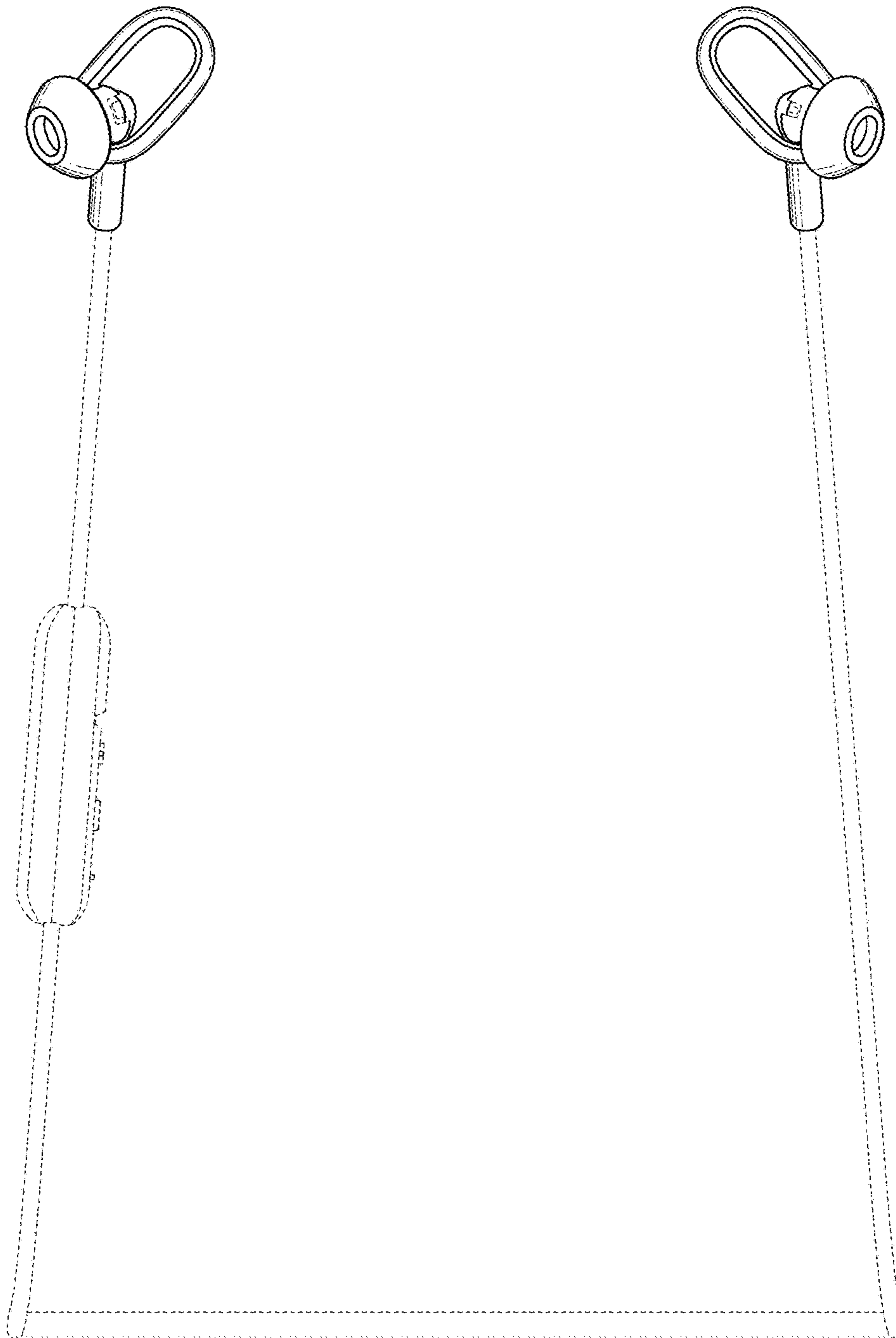


FIG. 3

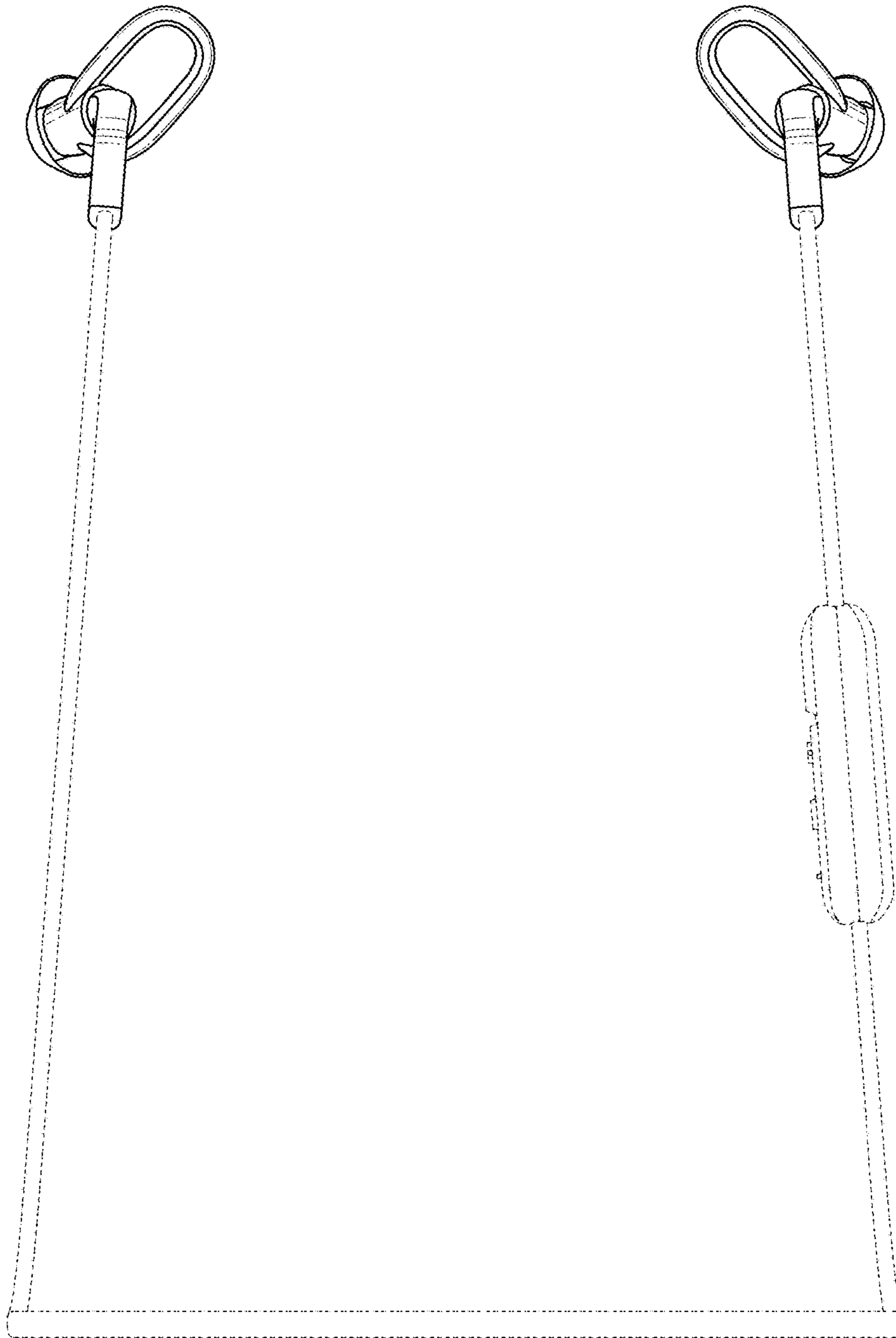


FIG. 4

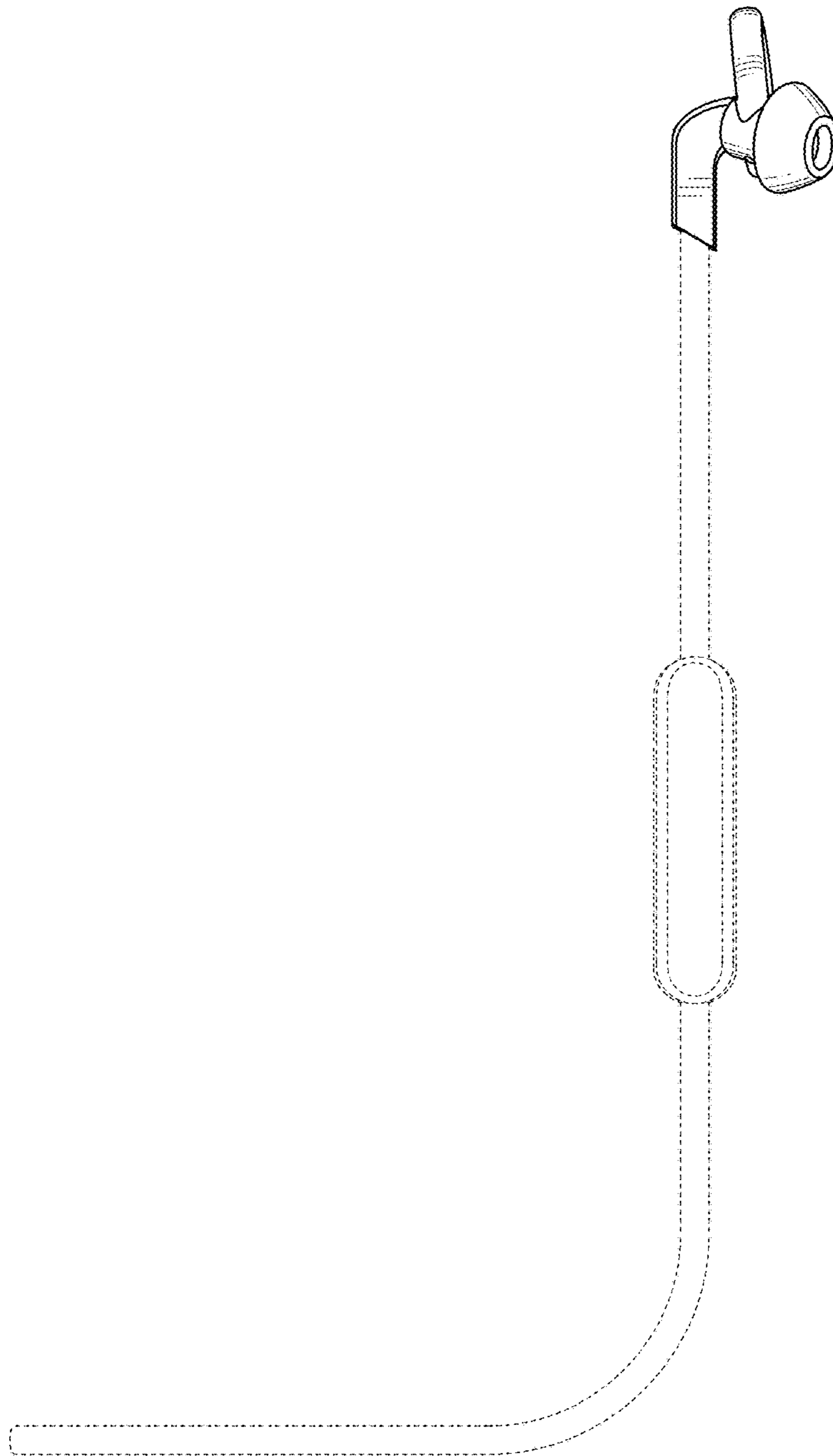


FIG. 5

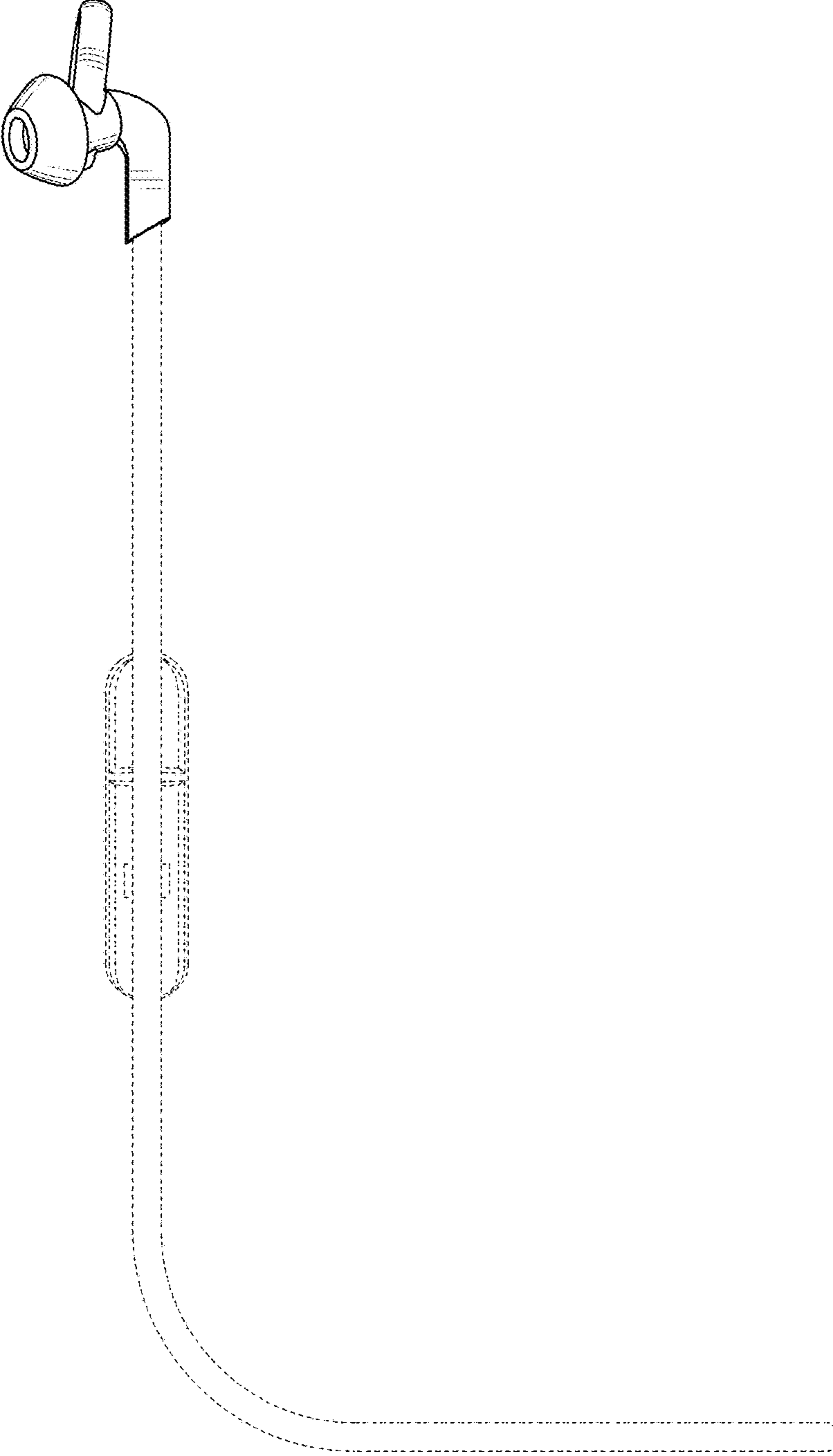


FIG. 6



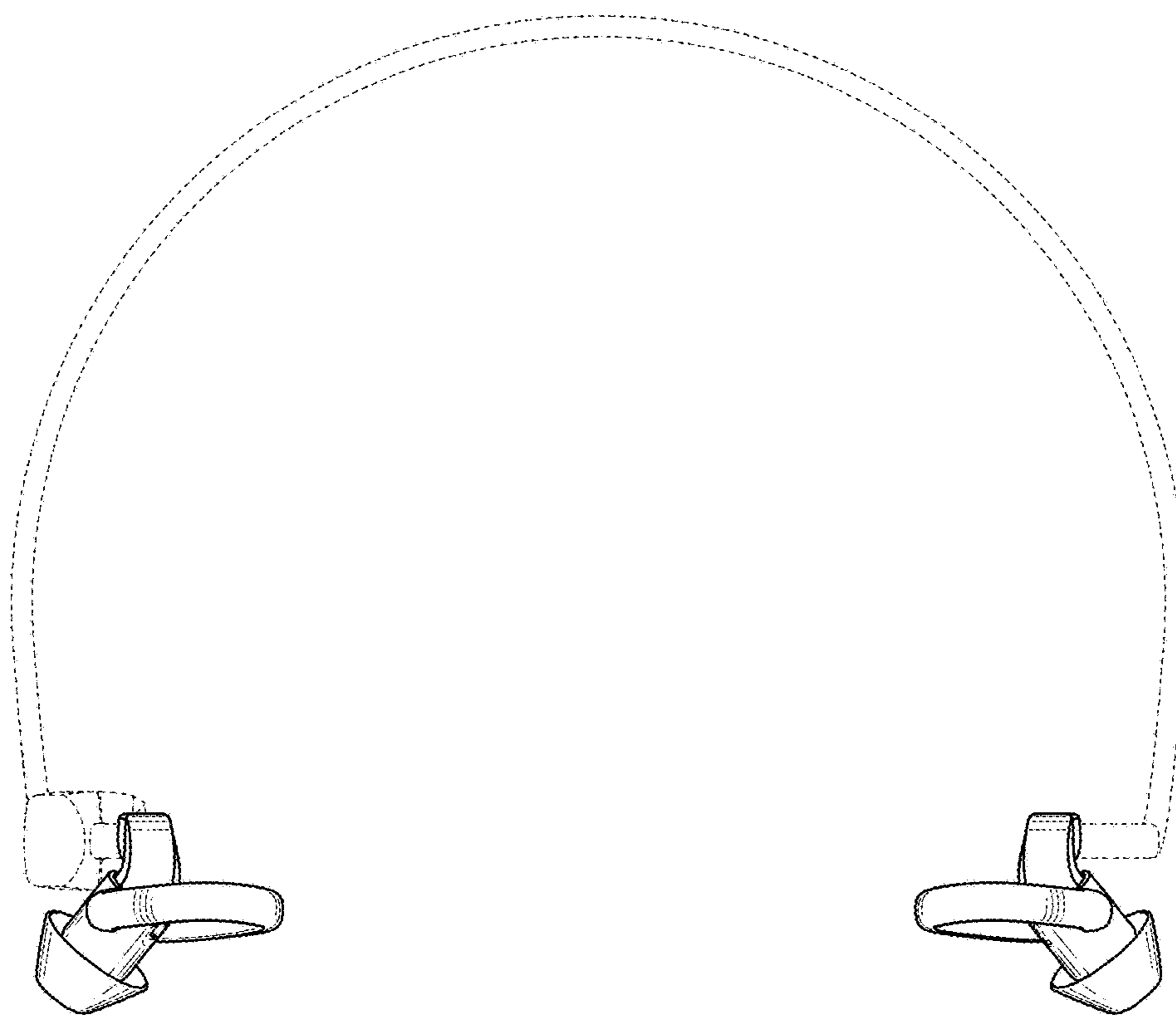


FIG. 7

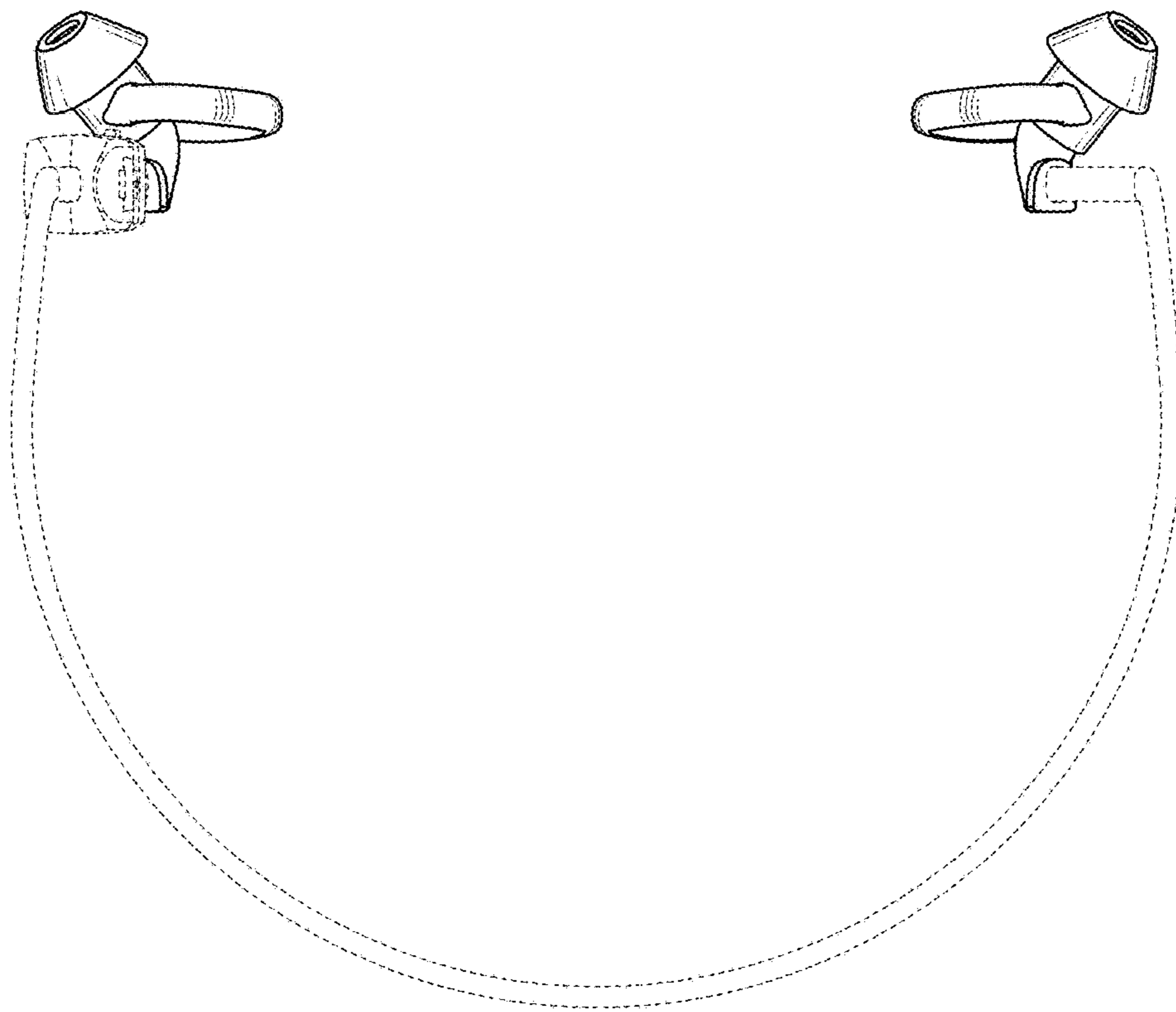


FIG. 8