



US00D840370S

(12) **United States Design Patent**
Kelly et al.

(10) **Patent No.:** **US D840,370 S**
(45) **Date of Patent:** **** Feb. 12, 2019**

(54) **HEADPHONE**
(71) Applicant: **Skullcandy, Inc.**, Park City, UT (US)
(72) Inventors: **Peter M. Kelly**, Park City, UT (US);
Steve Page, Salt Lake City, UT (US);
David G. Vogt, Jr., Salt Lake City, UT (US)
(73) Assignee: **Skullcandy, Inc.**, Park City, UT (US)

3,562,816 A * 2/1971 Hutchinson A61F 11/14
2/209
5,018,599 A * 5/1991 Dohi H04R 1/1008
181/129
5,068,923 A 12/1991 Sjoqvist
D328,074 S 7/1992 Yamazaki et al.
D328,461 S * 8/1992 Daido D14/205
D337,115 S * 7/1993 Yamazaki D14/205
5,384,857 A * 1/1995 Nordin A61F 11/14
381/374
5,751,825 A * 5/1998 Myers G04F 5/025
381/118

(**) Term: **15 Years**

(Continued)

(21) Appl. No.: **29/601,103**

Primary Examiner — Paula Allen Greene

(22) Filed: **Apr. 19, 2017**

(74) *Attorney, Agent, or Firm* — TraskBritt

Related U.S. Application Data

(63) Continuation of application No. 29/548,154, filed on Dec. 10, 2015, now Pat. No. Des. 787,470.

(51) **LOC (11) Cl.** **14-01**

(52) **U.S. Cl.**
USPC **D14/205**

(58) **Field of Classification Search**
USPC D14/205, 223; D29/112; 2/209;
181/129, 130, 135; 379/430, 431;
381/380, 381, 374, 376, 378; 455/90.3,
455/575.1, 569.1

CPC H04R 1/1066; H04R 1/1016; H04R 5/033;
H04R 5/0335; H04R 1/10; H04R 25/00
See application file for complete search history.

(56) **References Cited**

U.S. PATENT DOCUMENTS

3,440,663 A * 4/1969 Begun A61F 11/14
2/209
3,505,684 A * 4/1970 Hutchinson A61F 11/14
2/209

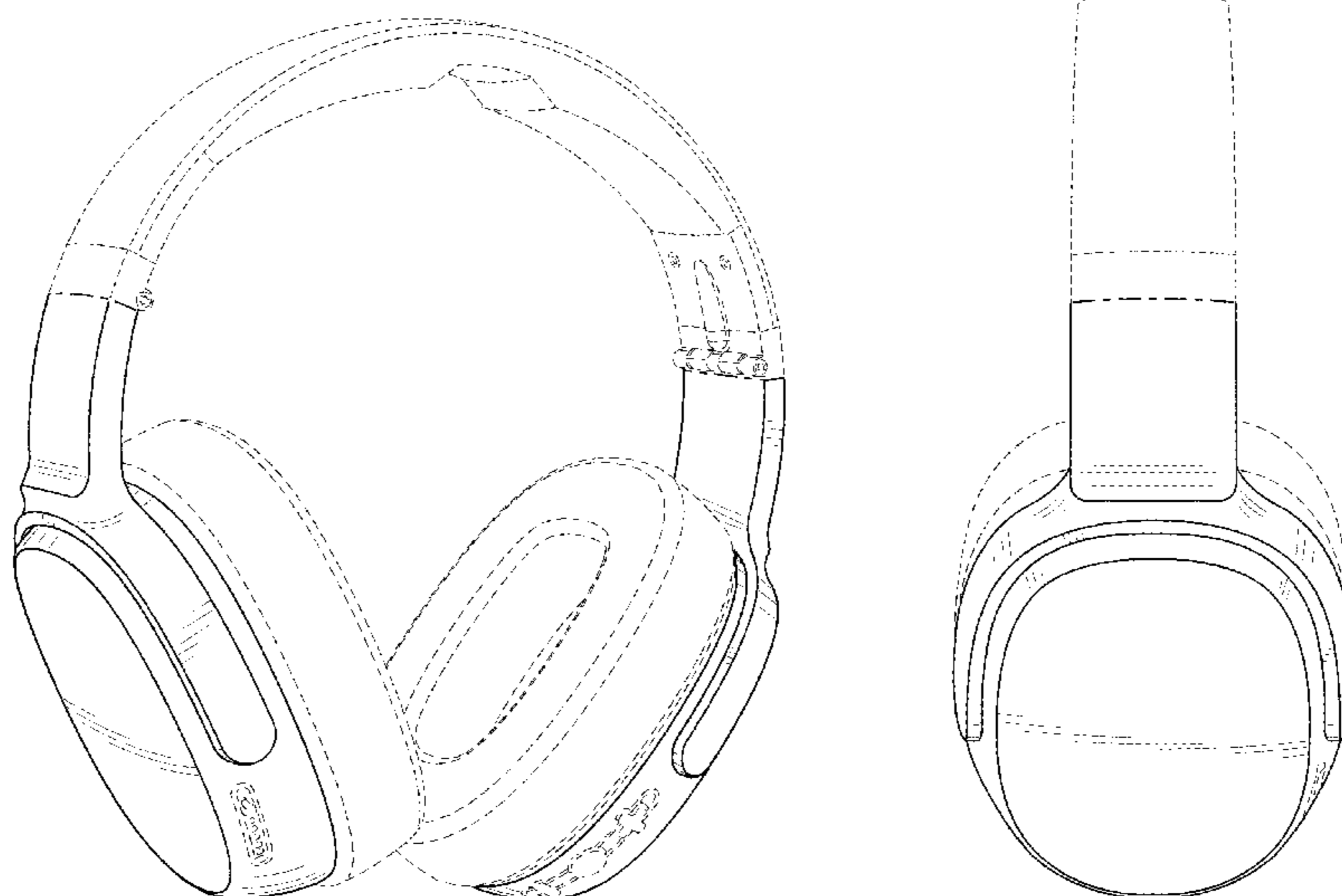
(57) **CLAIM**

The ornamental design for a headphone, as shown and described.

DESCRIPTION

FIG. 1 is a front perspective view of a headphone showing our new design;
FIG. 2 is a front side view of the headphone shown in FIG. 1;
FIG. 3 is a back side view of the headphone shown in FIG. 1;
FIG. 4 is a left side view of the headphone shown in FIG. 1;
FIG. 5 is a right side view of the headphone shown in FIG. 1;
FIG. 6 is a top view of the headphone shown in FIG. 1; and,
FIG. 7 is a bottom view of the headphone shown in FIG. 1.
The broken line portions of FIGS. 1-7 shown with dashes of even length are included to show unclaimed subject matter only and form no part of the claimed design. The broken lines shown with dashes of uneven length shown in FIGS. 1-6 represent boundaries of the claimed design, and also do not form part of the claimed design.

1 Claim, 6 Drawing Sheets



(56)

References Cited

U.S. PATENT DOCUMENTS

6,449,806 B1 *	9/2002	Engelhard	H04M 1/05 2/209	8,325,962 B2	12/2012	Ishida et al.	
D468,723 S	1/2003	Pham et al.		D674,372 S	1/2013	Kelly et al.	
D476,639 S *	7/2003	Bergeron	D14/205	D677,241 S	3/2013	Kelly et al.	
6,654,966 B2	12/2003	Rolla		D683,329 S	5/2013	Hagelin	
D512,708 S *	12/2005	Harris, Jr.	D14/205	D683,717 S	6/2013	Kelly et al.	
6,993,143 B2	1/2006	Harris et al.		D685,759 S	7/2013	Kelly et al.	
D532,407 S	11/2006	Motoishi		D689,464 S	9/2013	Bonahoom et al.	
D541,255 S	4/2007	Taylor et al.		D691,582 S	10/2013	Nguyen et al.	
D549,688 S *	8/2007	Suzuki	D14/205	D693,793 S	11/2013	Kelly et al.	
D573,581 S	7/2008	Gondo et al.		D699,216 S	2/2014	Bonahoom et al.	
D576,604 S *	9/2008	Suzuki	D14/205	D699,702 S *	2/2014	Chen	D14/205
D581,394 S *	11/2008	Lee	D14/205	D701,193 S	3/2014	Kelly et al.	
D585,872 S	2/2009	Lee		D707,654 S	6/2014	Nguyen et al.	
D588,098 S *	3/2009	Kurihara	D14/205	8,767,996 B1	7/2014	Lin et al.	
D594,847 S	6/2009	Suzuki		D719,136 S *	12/2014	Schaal	D14/205
D603,370 S *	11/2009	Suzuki	D14/205	D721,052 S	1/2015	Carr et al.	
D616,865 S	6/2010	Marchand et al.		D734,297 S *	7/2015	Sasaki	D14/205
D623,627 S	9/2010	Alden et al.		D739,842 S *	9/2015	Birger	D14/205
D625,705 S	10/2010	Ohori et al.		D750,041 S *	2/2016	Birger	D14/205
D634,732 S	3/2011	Kondo et al.		9,344,794 B1	5/2016	Blonder	
D639,776 S	6/2011	Arimoto		D758,337 S	6/2016	Szymanski	
D641,003 S	7/2011	Alden		D765,055 S	8/2016	Hsieh et al.	
D642,554 S *	8/2011	Schaal	D14/205	D776,520 S *	1/2017	Iijima	D8/402
D650,356 S	12/2011	Alden et al.		D787,469 S *	5/2017	Djohar	D14/205
D657,344 S	4/2012	Brunner et al.		D787,470 S *	5/2017	Kelly	D14/205
D662,080 S *	6/2012	Carr	D14/205	D795,218 S *	8/2017	Ohmachi	D14/205
D665,776 S	8/2012	Alden et al.		D800,691 S *	10/2017	Ando	D14/205
D665,777 S	8/2012	Alden et al.		D811,365 S *	2/2018	Czaniecki	D14/205
D673,136 S	12/2012	Kelly et al.		D813,837 S *	3/2018	Paterson	D14/205
				D814,439 S *	4/2018	Birath	D14/205
				2010/0310093 A1	12/2010	Semcken	
				2014/0056459 A1	2/2014	Oishi et al.	

* cited by examiner



FIG. 1

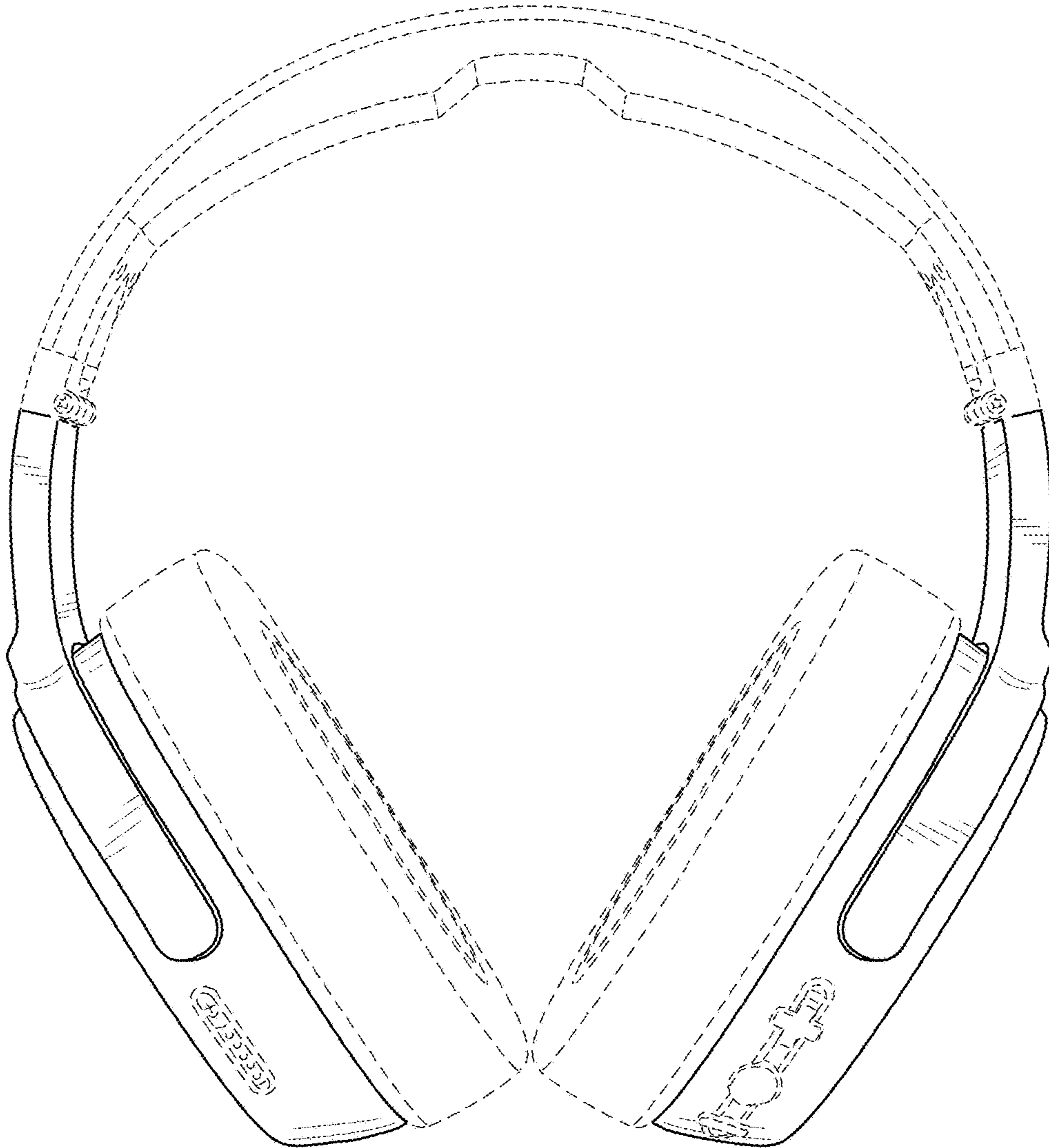


FIG. 2

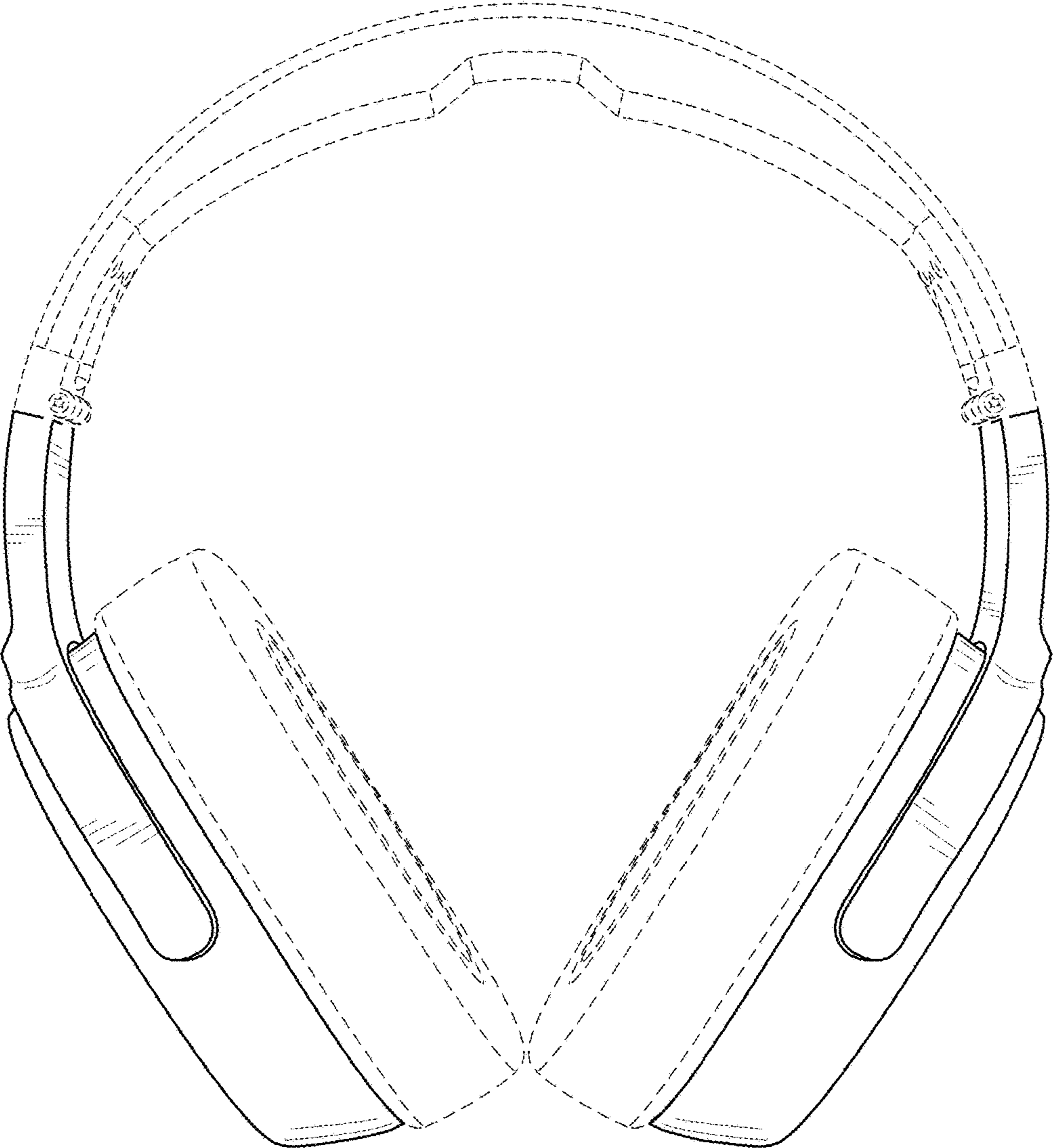


FIG. 3

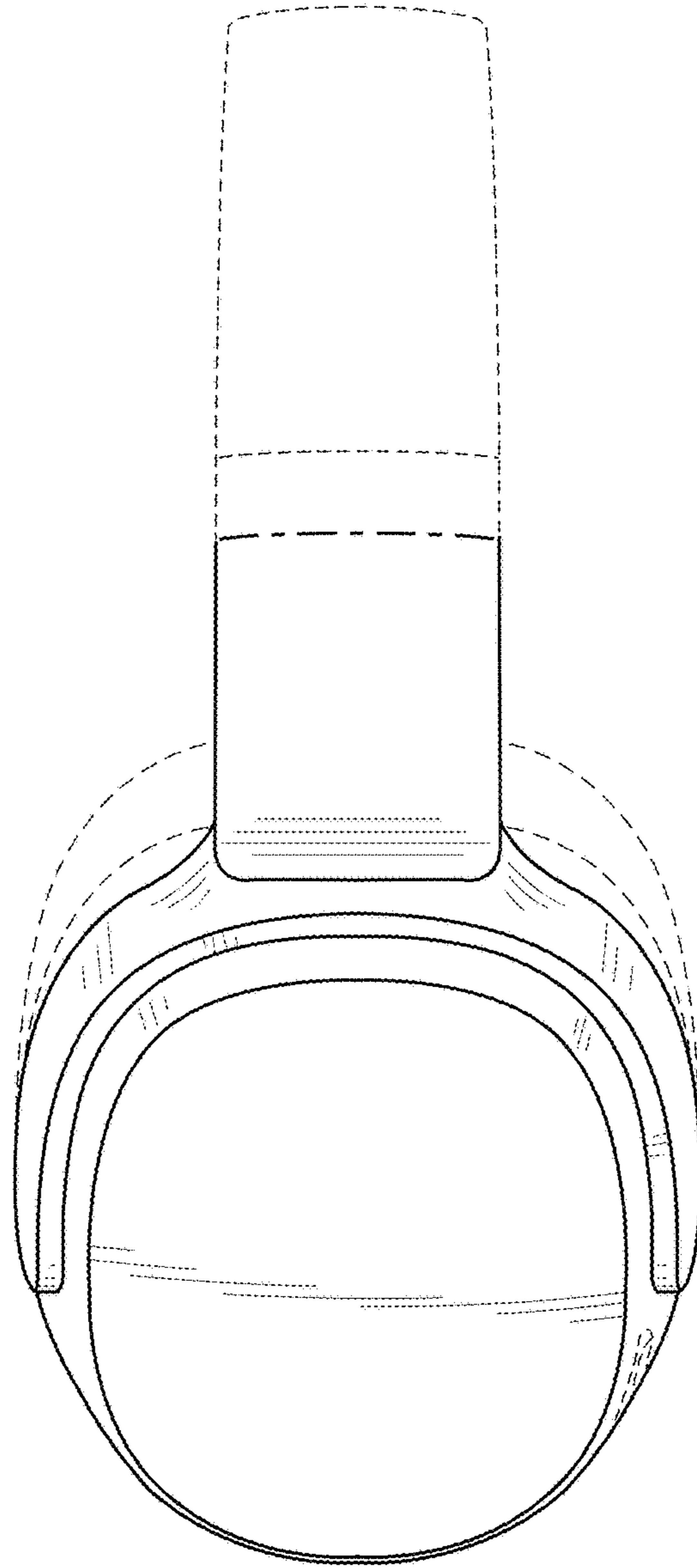


FIG. 4

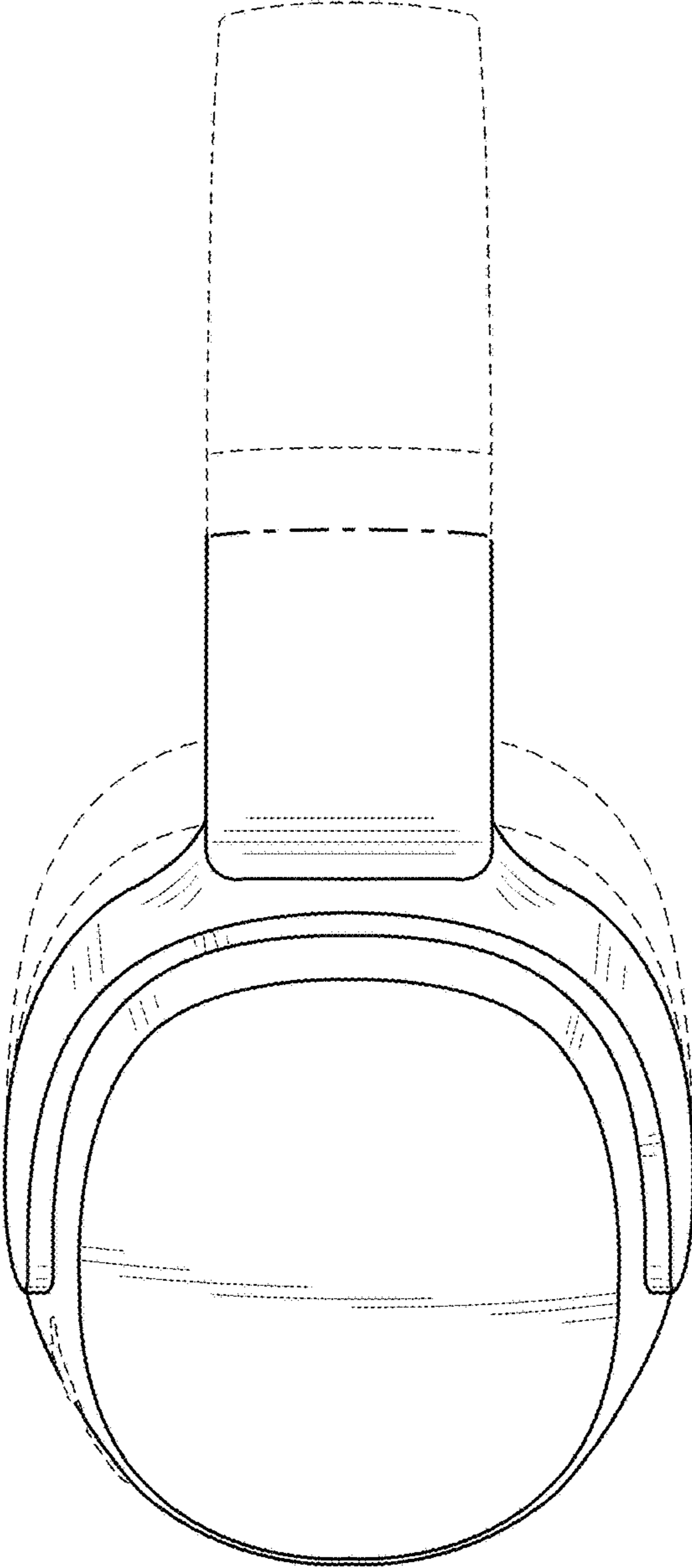


FIG. 5

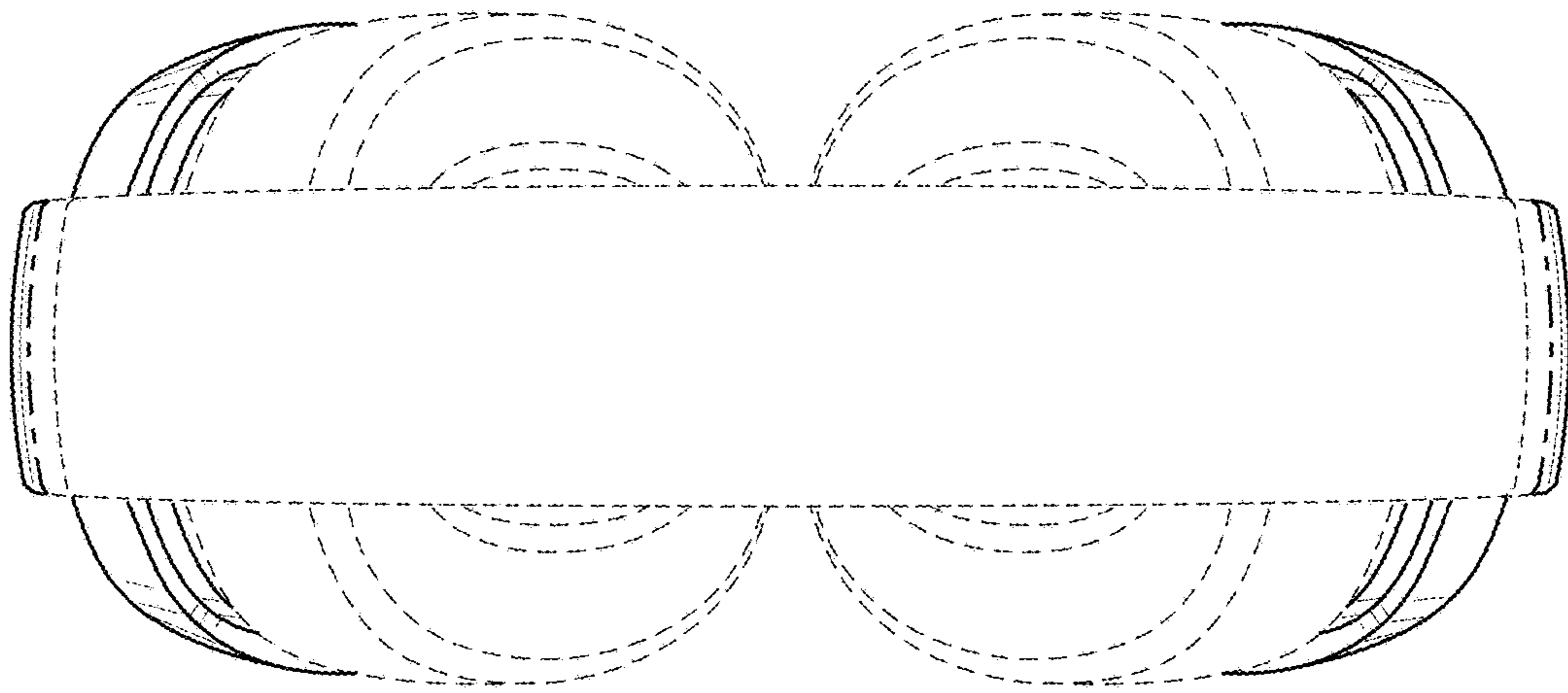


FIG. 6

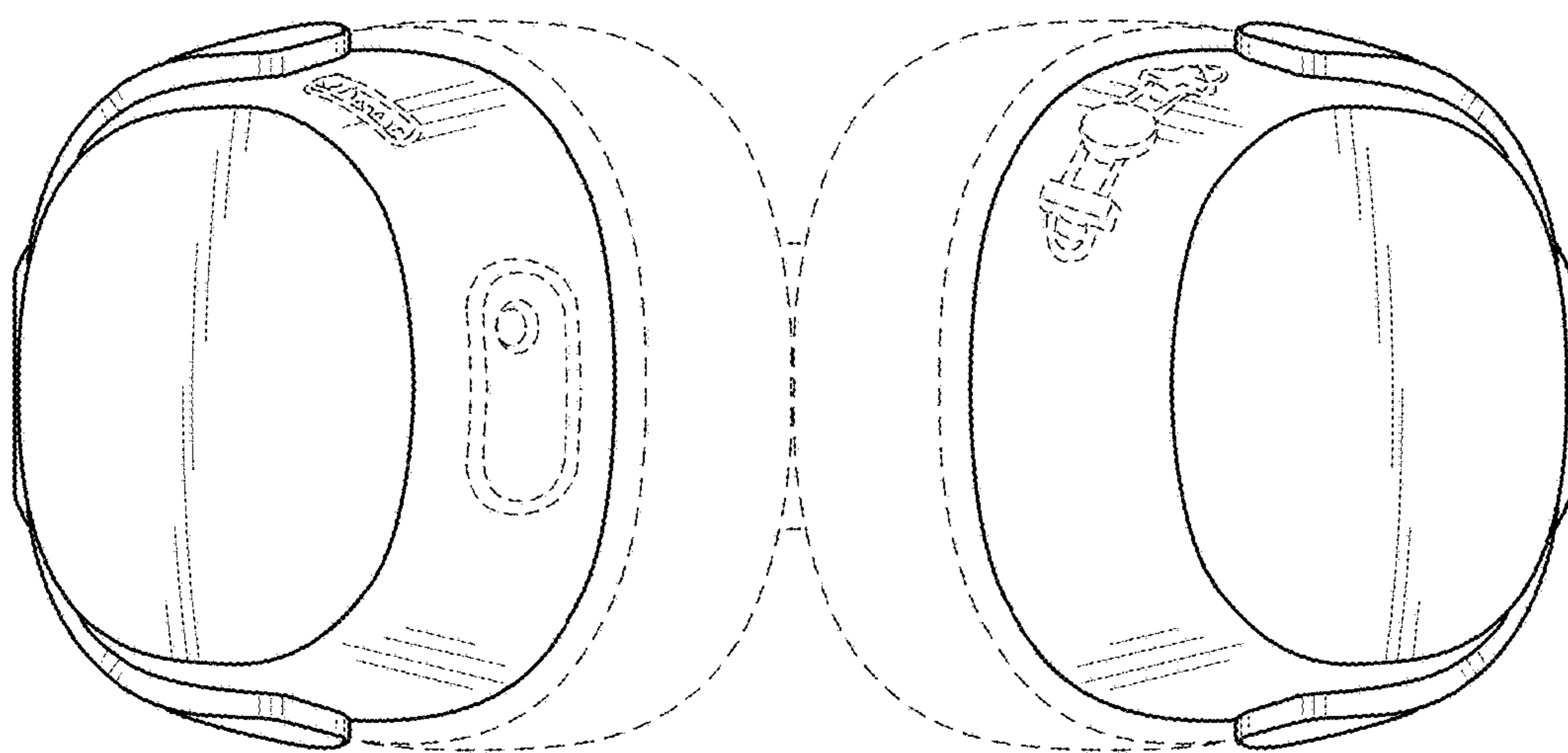


FIG. 7