



US00D840368S

(12) **United States Design Patent**  
**Deng**

(10) **Patent No.:** **US D840,368 S**

(45) **Date of Patent:** **\*\* Feb. 12, 2019**

(54) **TRANSMITTER FOR A BABY MONITOR**

D798,360 S *	9/2017	Jeong .....	D16/203
D806,773 S *	1/2018	Wieser .....	D16/203
D816,142 S *	4/2018	Song .....	D16/203
D819,715 S *	6/2018	Laurans .....	D16/203

(71) Applicant: **Zhubing Deng**, Hunan (CN)

(72) Inventor: **Zhubing Deng**, Hunan (CN)

\* cited by examiner

(\*\*) Term: **15 Years**

*Primary Examiner* — George D. Kirschbaum

(21) Appl. No.: **29/588,092**

(74) *Attorney, Agent, or Firm* — Justin Lampel

(22) Filed: **Dec. 19, 2016**

(57) **CLAIM**

(51) **LOC (11) Cl.** ..... **14-03**

The ornamental design for transmitter for a baby monitor, as shown and described.

(52) **U.S. Cl.**

USPC ..... **D14/159**; D16/203

**DESCRIPTION**

(58) **Field of Classification Search**

USPC ..... D16/203, 202; D14/159

See application file for complete search history.

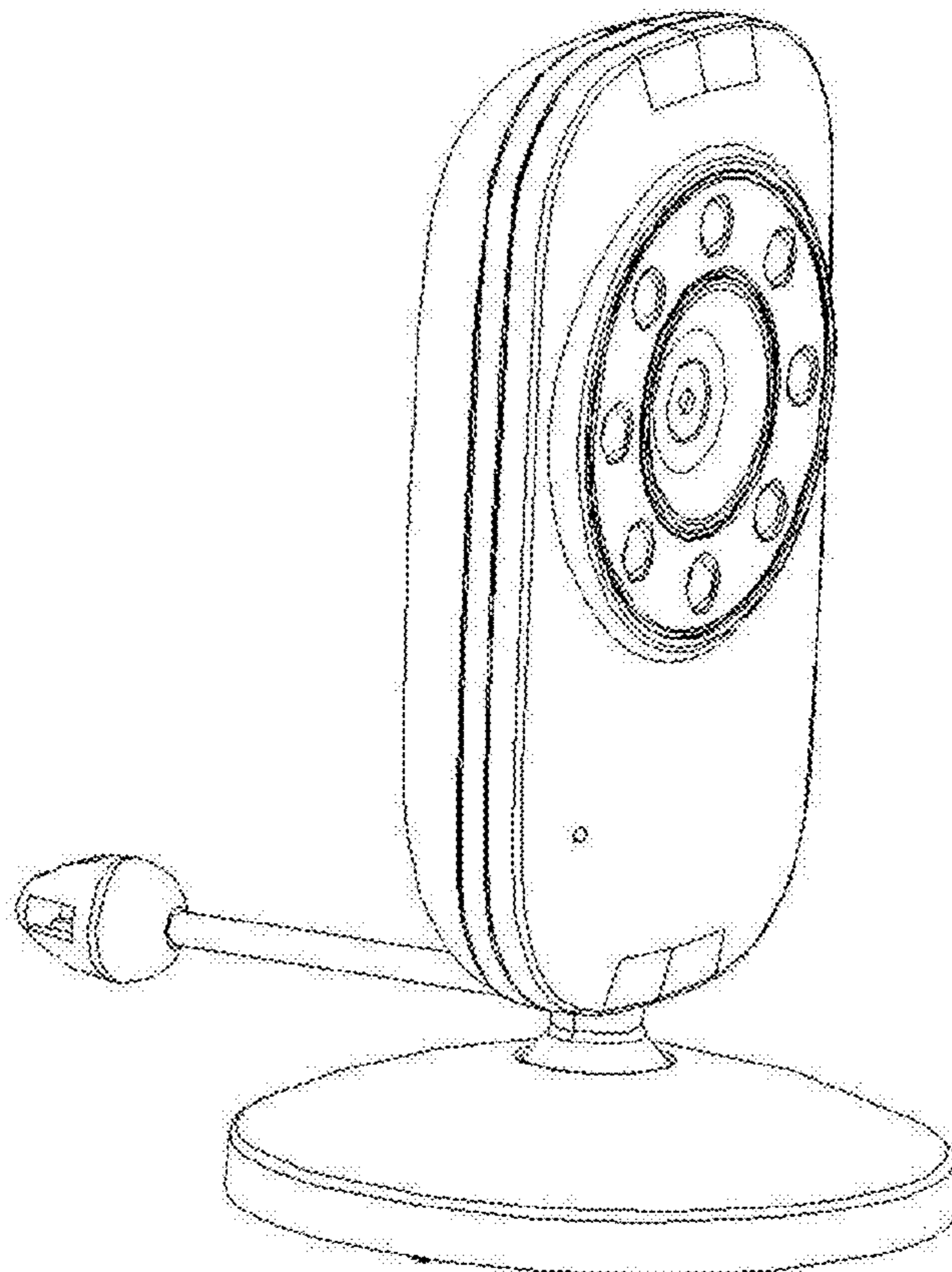
FIG. 1 is a perspective view of a transmitter for a baby monitor showing my new design;  
FIG. 2 is a front elevational view thereof;  
FIG. 3 is a rear elevational view thereof;  
FIG. 4 is a right side view thereof;  
FIG. 5 is a left side view thereof;  
FIG. 6 is a bottom plan view thereof; and,  
FIG. 7 is a top plan view thereof.

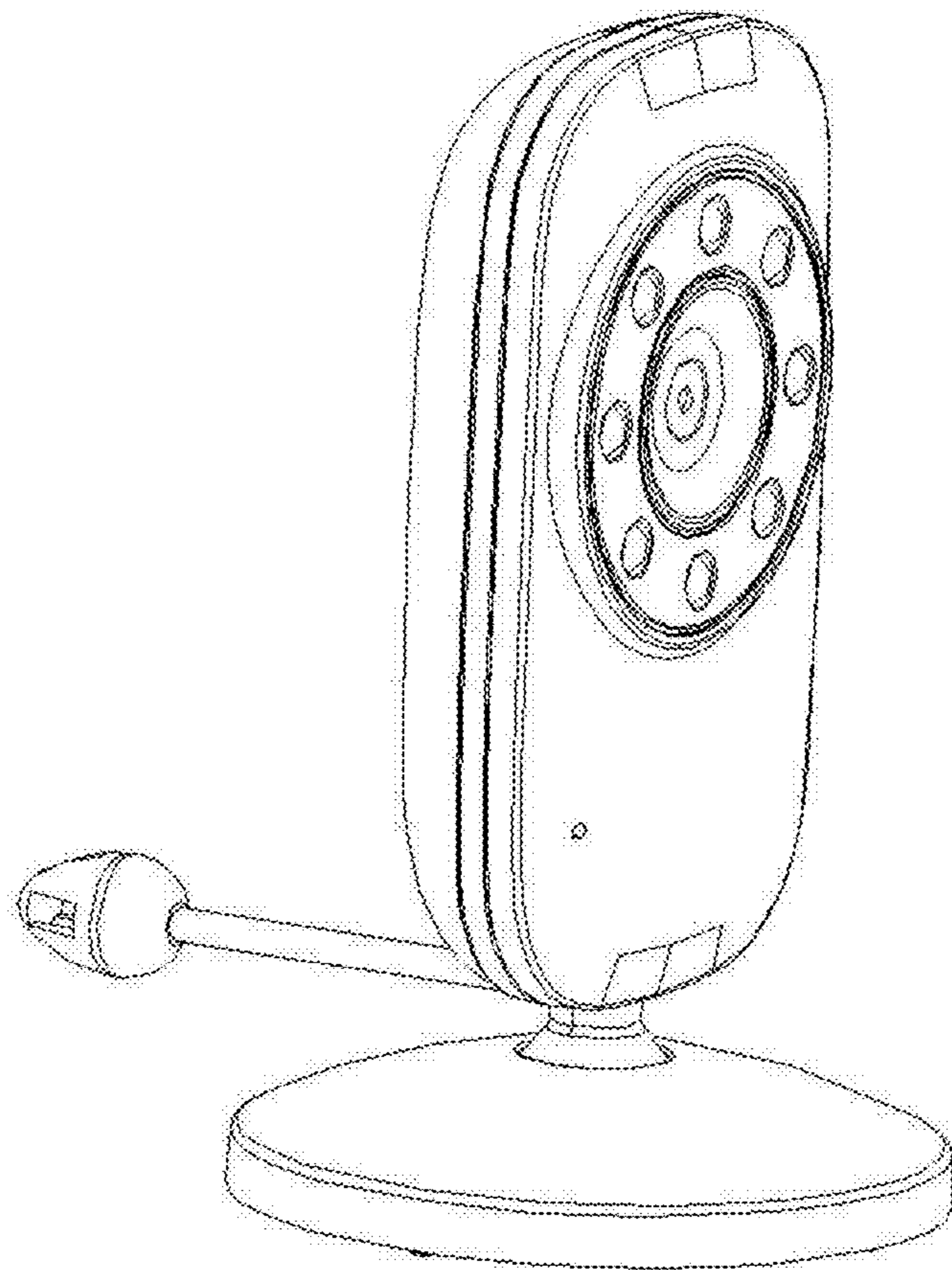
(56) **References Cited**

**U.S. PATENT DOCUMENTS**

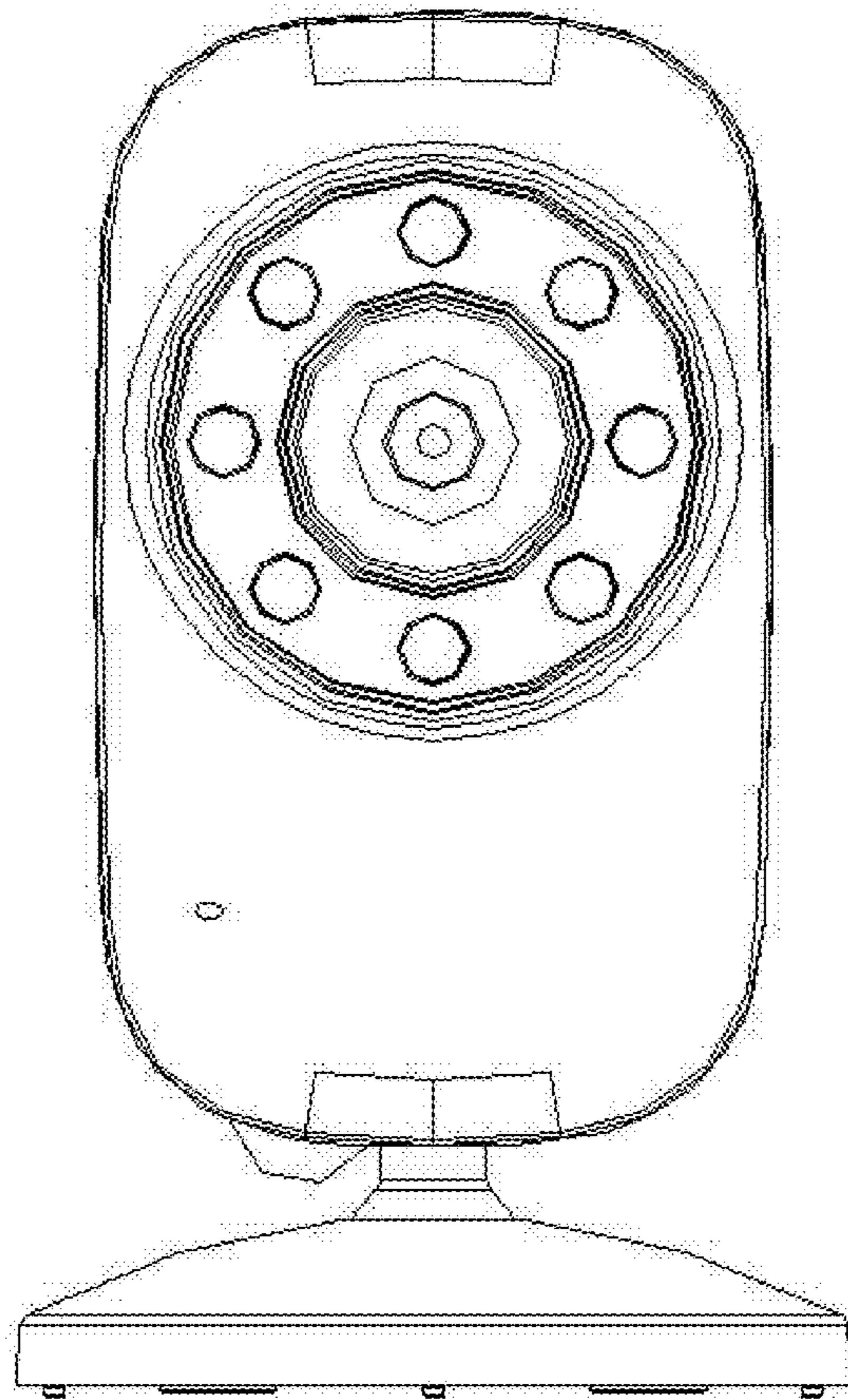
D697,119 S *	1/2014	Park .....	D16/202
D747,383 S *	1/2016	Li .....	D16/203
D763,817 S *	8/2016	Deng .....	D14/159
D776,740 S *	1/2017	Okawa .....	D16/203

**1 Claim, 7 Drawing Sheets**

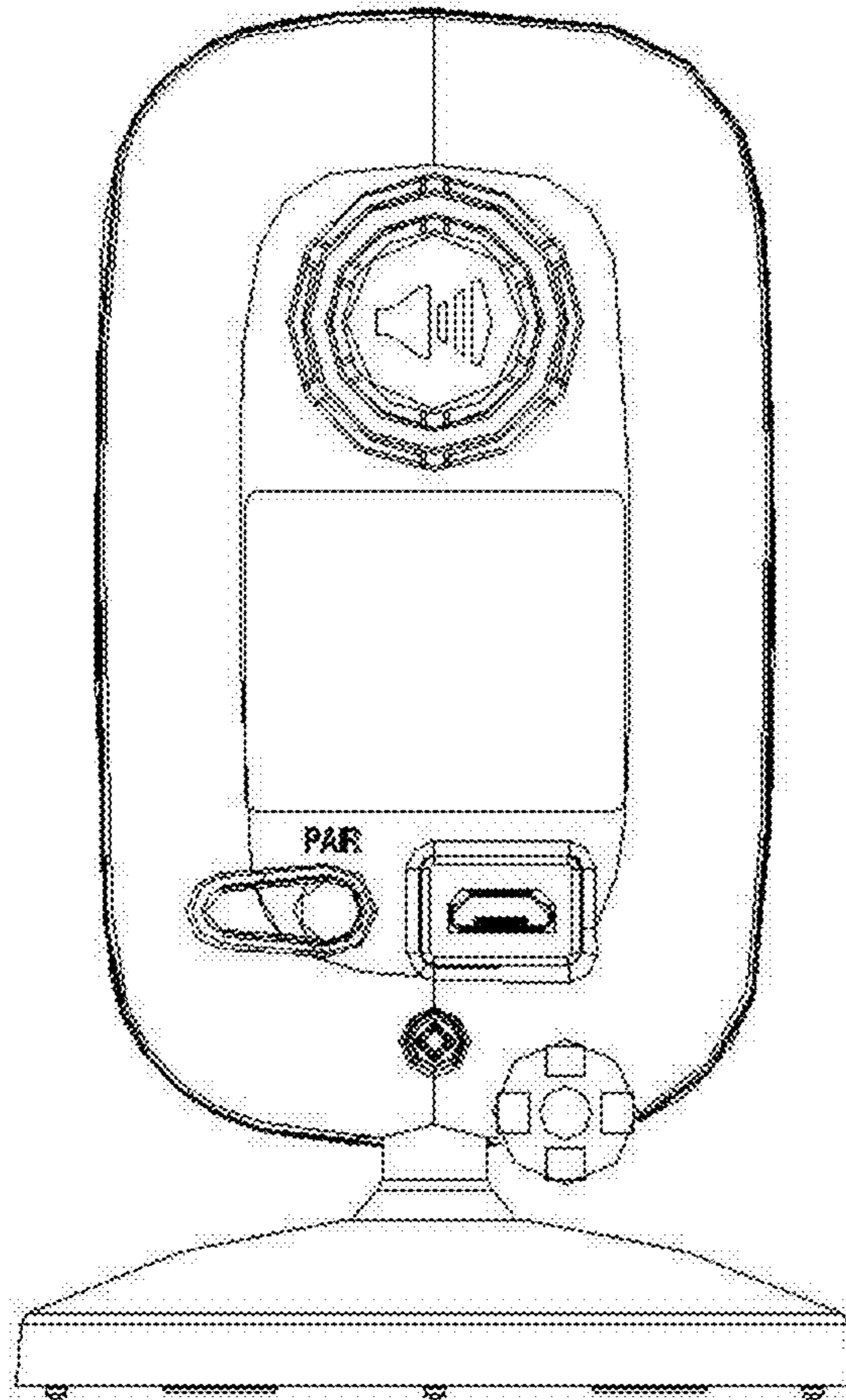




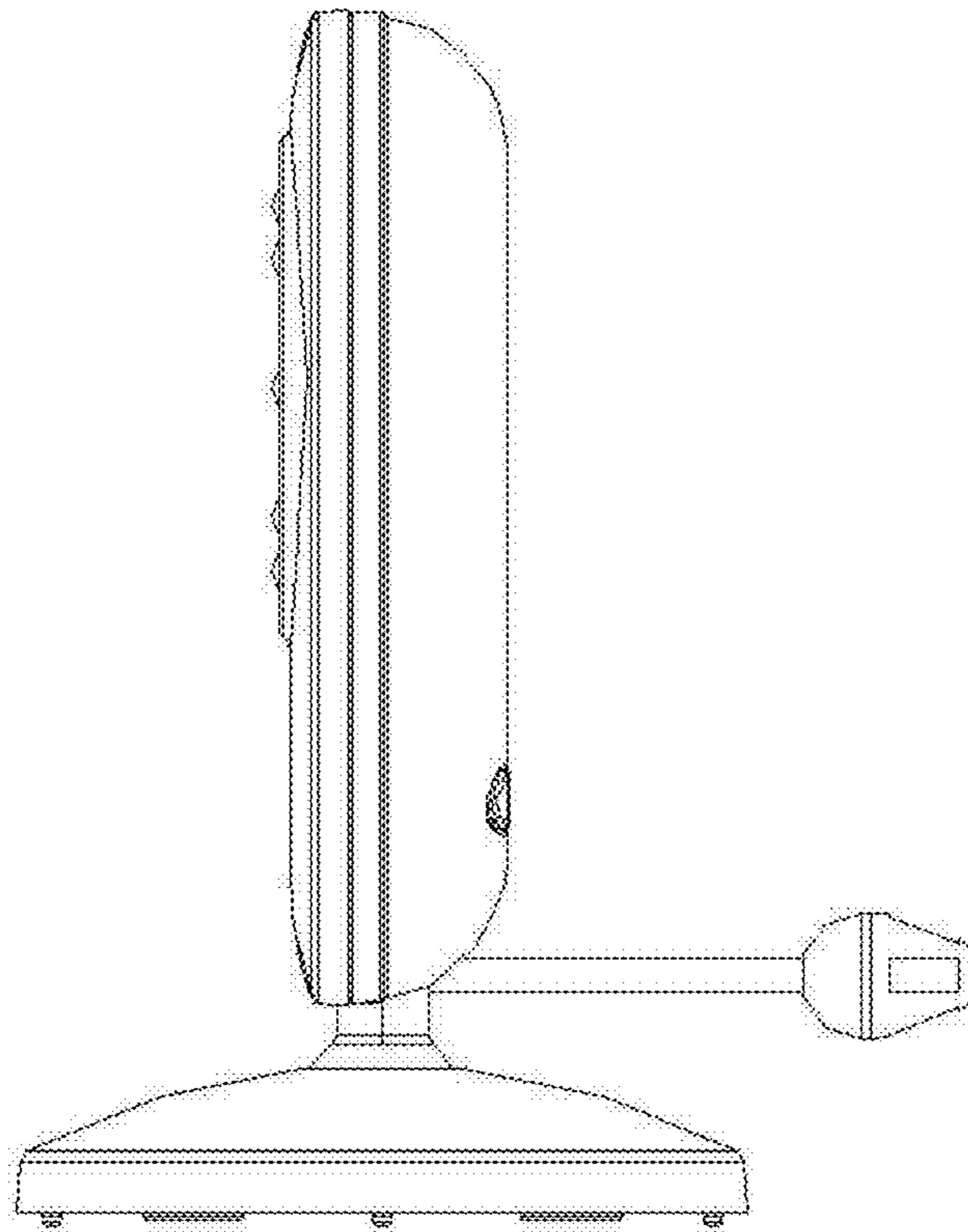
**FIG. 1**



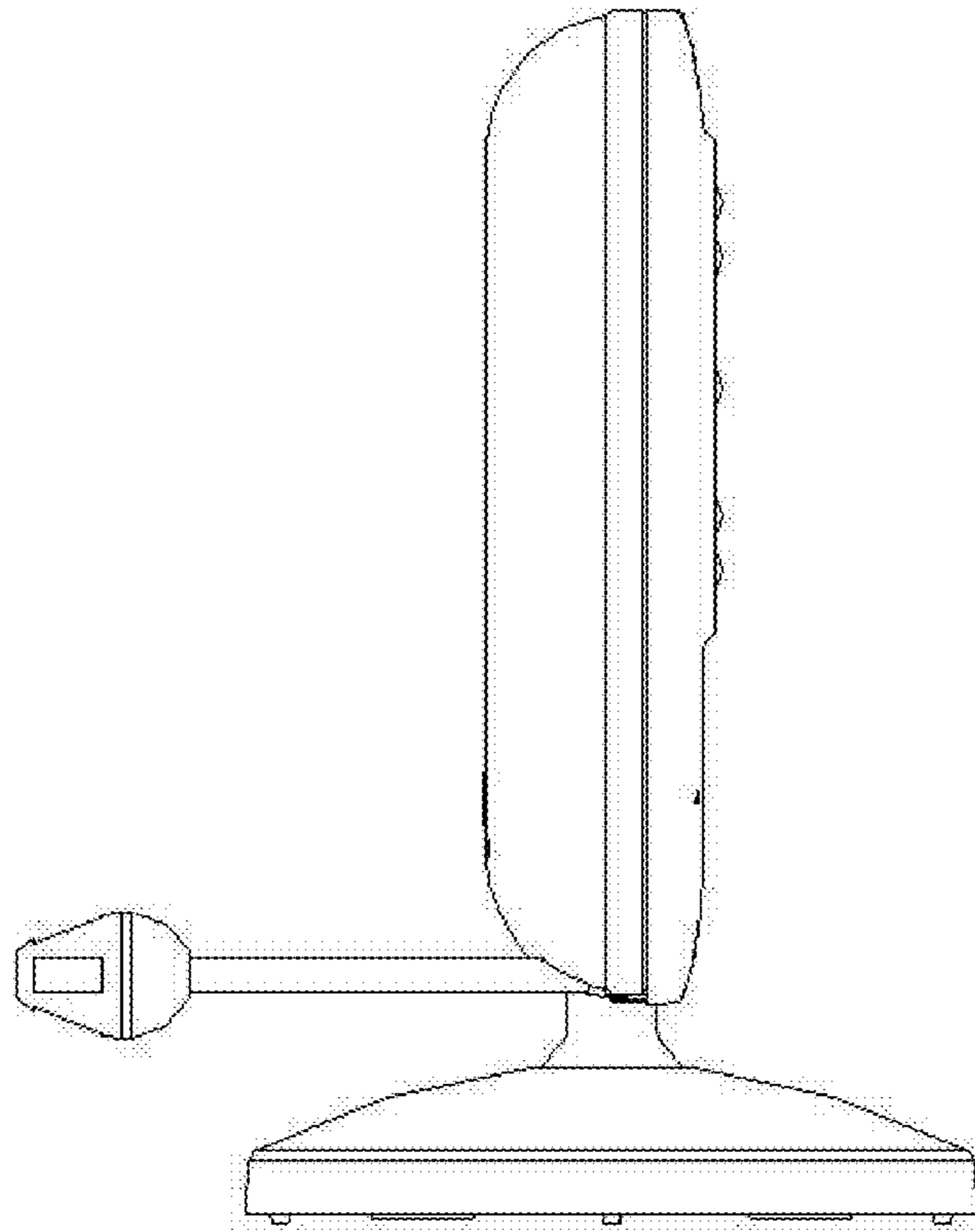
*FIG. 2*



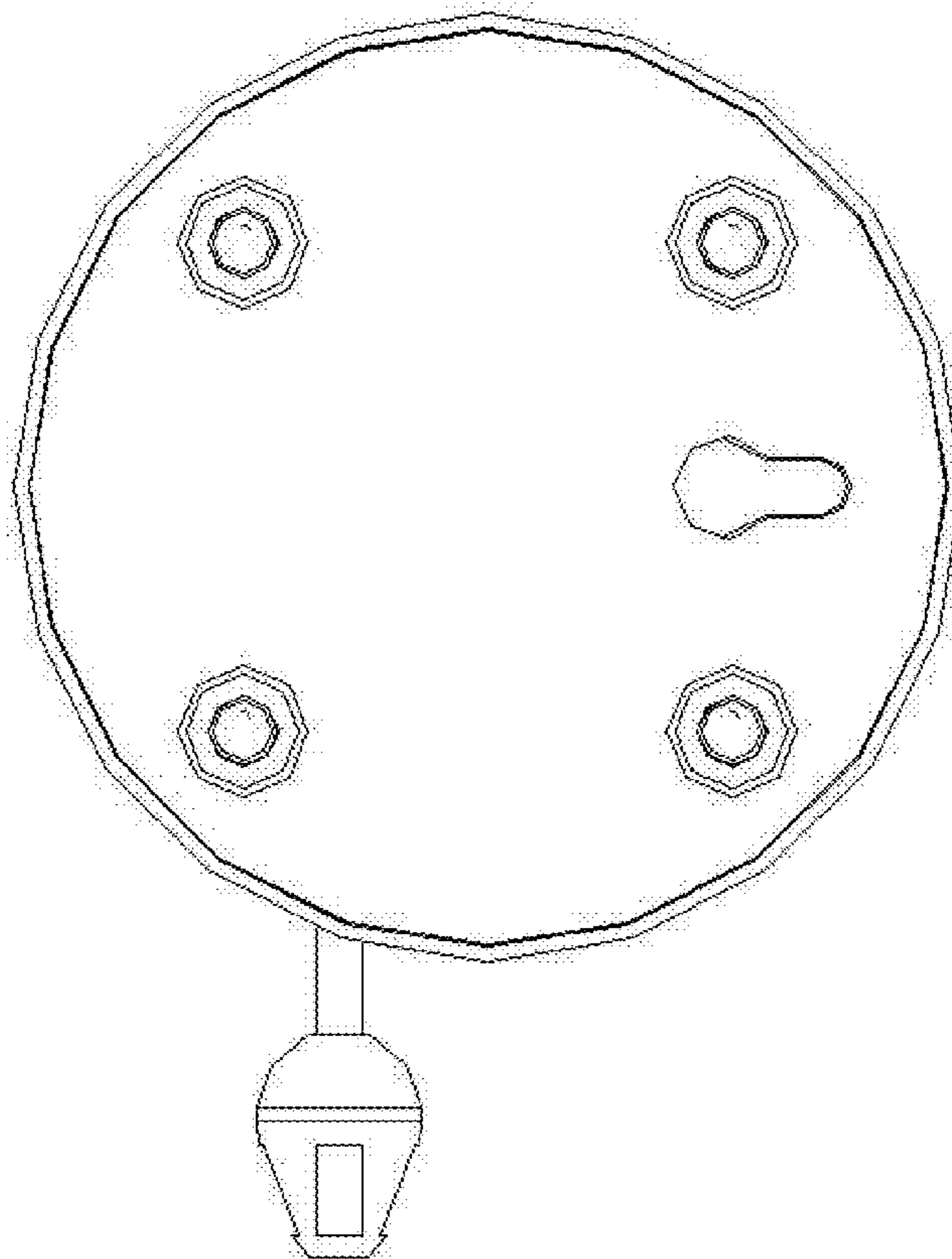
*FIG. 3*



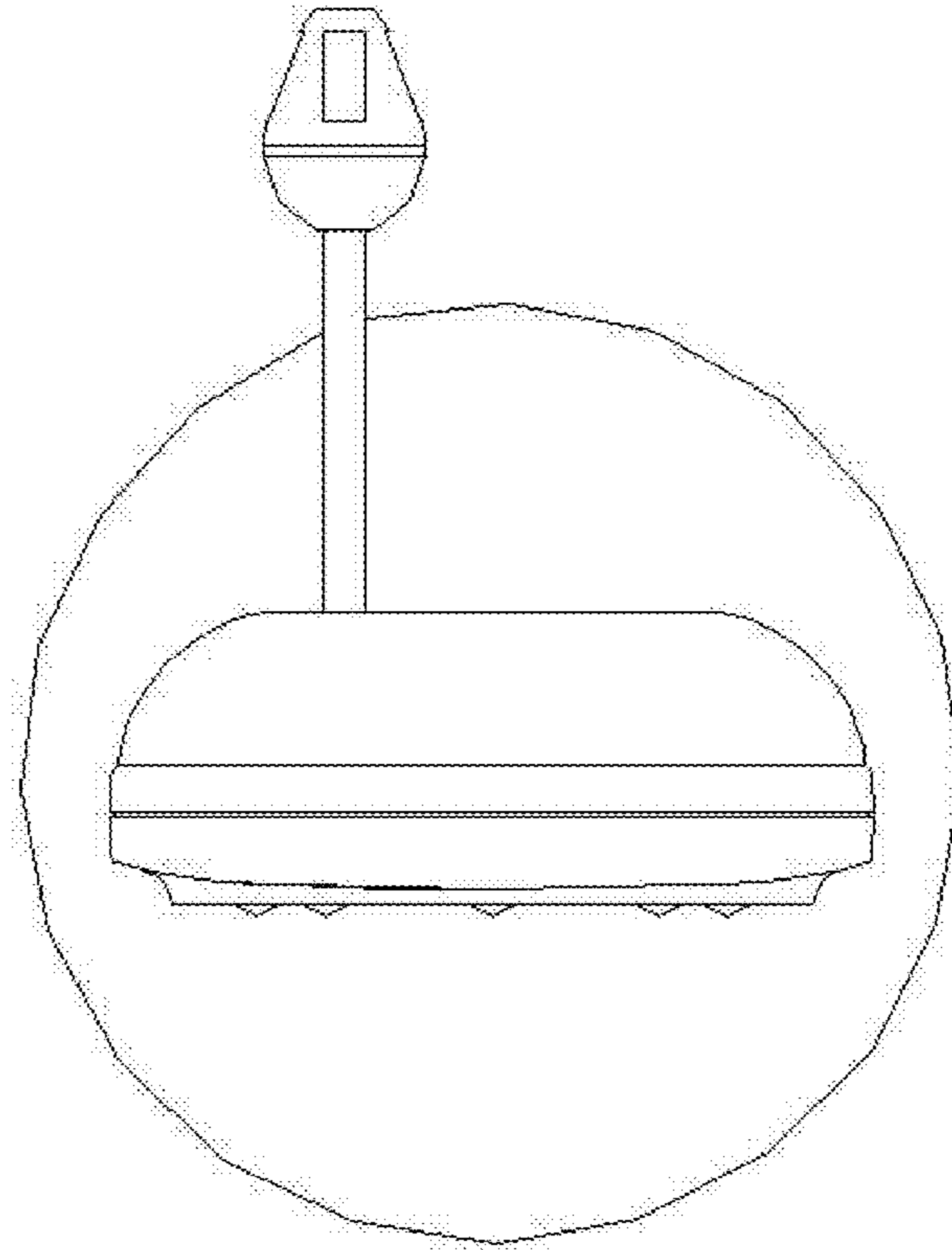
**FIG. 4**



*FIG. 5*



**FIG. 6**



*FIG. 7*