

US00D840365S

(12) **United States Design Patent** (10) **Patent No.:** **US D840,365 S**
Ichino et al. (45) **Date of Patent:** **** *Feb. 12, 2019**

(54) **COVER RING FOR A PLASMA PROCESSING APPARATUS**

(71) Applicant: **Hitachi High-Technologies Corporation**, Minato-ku, Tokyo (JP)
(72) Inventors: **Takamasa Ichino**, Tokyo (JP); **Kohei Sato**, Tokyo (JP); **Kazunori Nakamoto**, Tokyo (JP)
(73) Assignee: **Hitachi High-Technologies Corporation**, Tokyo (JP)

(*) Notice: This patent is subject to a terminal disclaimer.

(**) Term: **15 Years**

(21) Appl. No.: **29/610,999**

(22) Filed: **Jul. 18, 2017**

(30) **Foreign Application Priority Data**

Jan. 31, 2017 (JP) 2017-001755

(51) **LOC (11) Cl.** **13-03**

(52) **U.S. Cl.**
USPC **D13/182**

(58) **Field of Classification Search**
USPC D13/158-177, 182, 184; 204/286.1, 204/297.1; 205/118, 123; 200/1 R, 5 R,
(Continued)

(56) **References Cited**

U.S. PATENT DOCUMENTS

D404,369 S * 1/1999 Kawachi D13/182
D491,963 S * 6/2004 Doba D15/144
(Continued)

FOREIGN PATENT DOCUMENTS

JP D1210213 S 6/2004
JP D1361441 S 6/2009
JP D1551512 S 6/2016

OTHER PUBLICATIONS

Ichino et al., Design U.S. Appl. No. 29/610,995, filed Jul. 18, 2017.

(Continued)

Primary Examiner — Elizabeth J Oswecki

(74) *Attorney, Agent, or Firm* — Crowell & Moring LLP

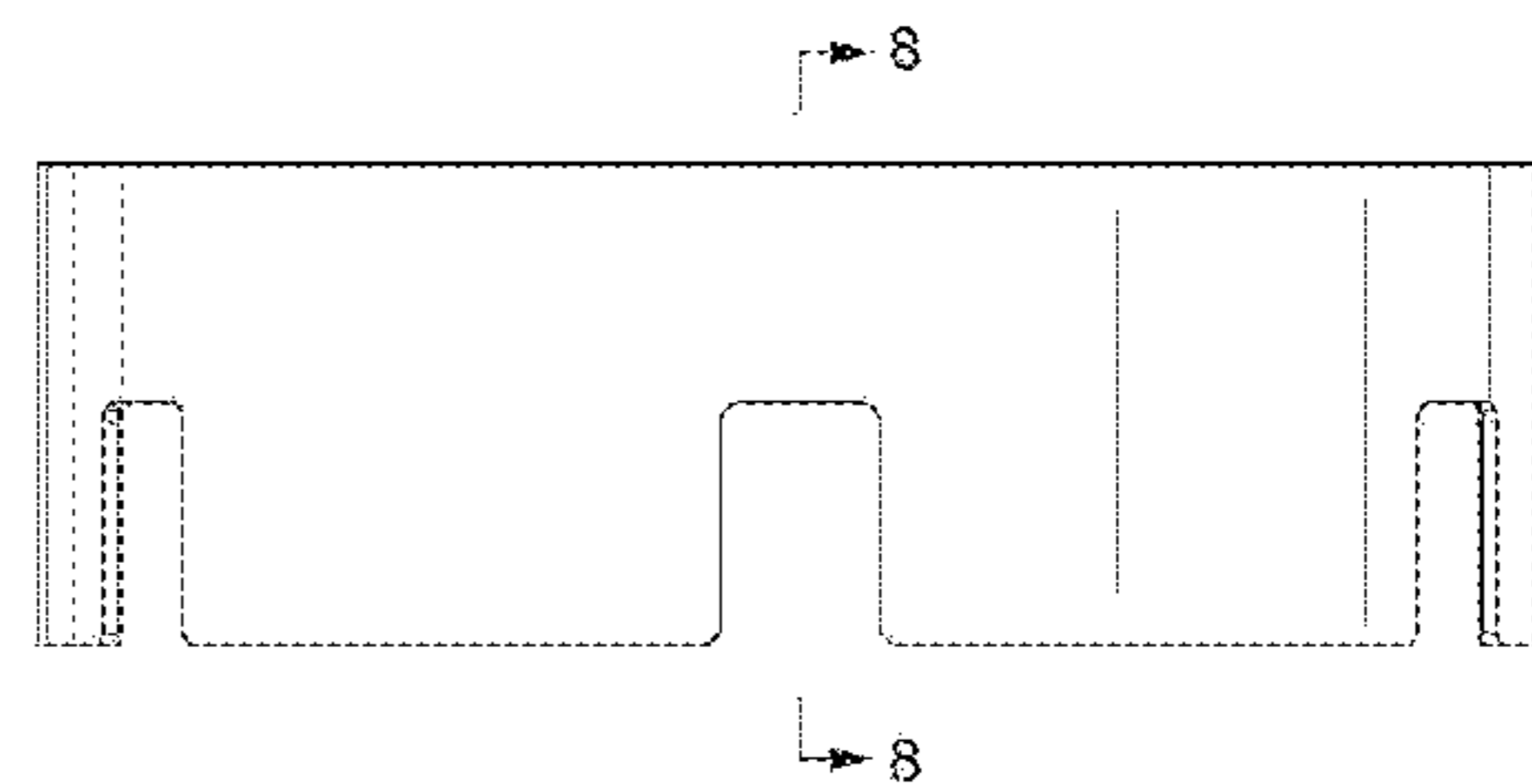
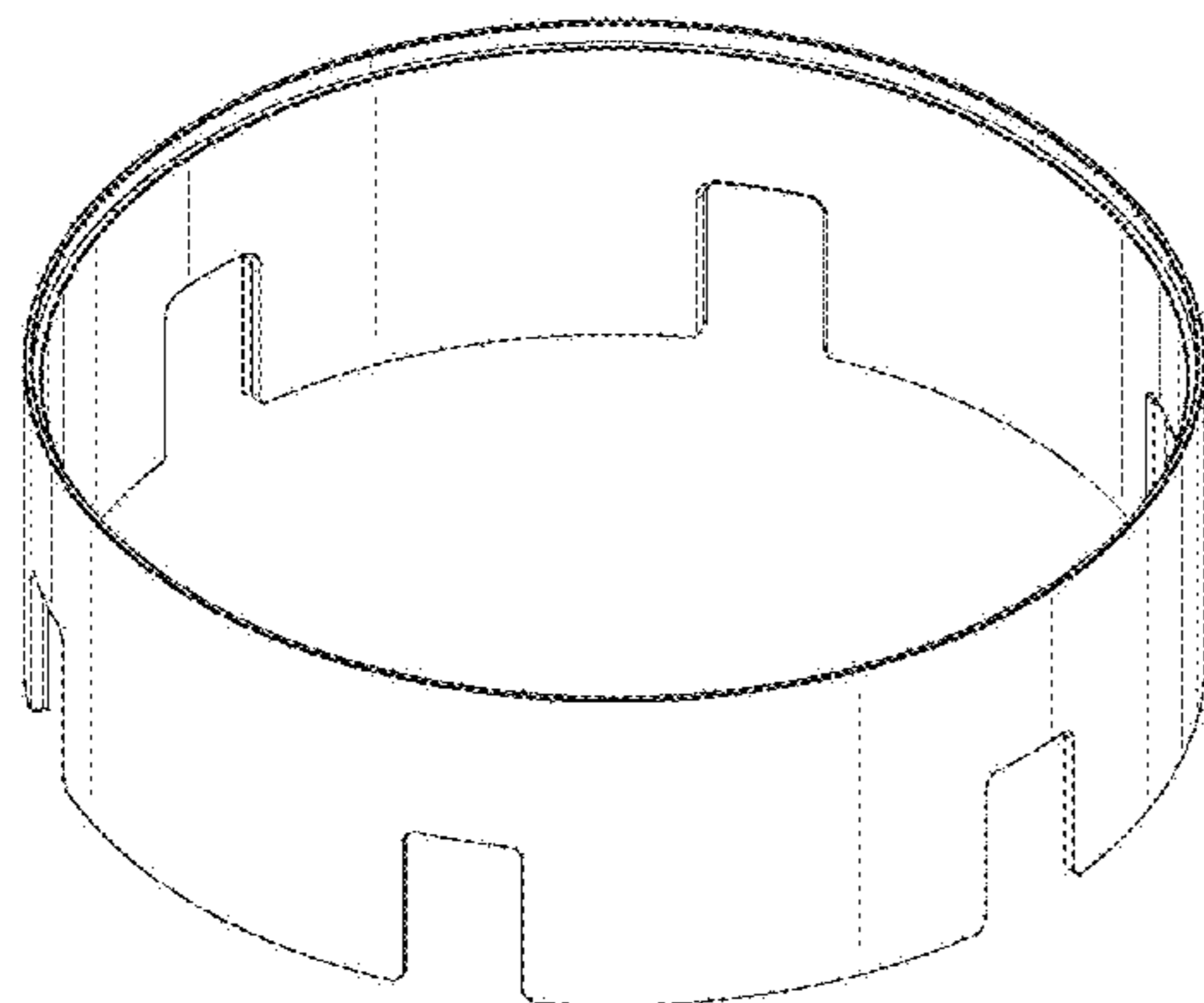
(57) **CLAIM**

The ornamental design for a cover ring for a plasma processing apparatus, as shown and described.

DESCRIPTION

This application contains subject matter related to the following co-pending U.S. design patent applications: Application Ser. No. 29/610,995, filed herewith and entitled “Electrode Cover for a Plasma Processing Apparatus”; Application Ser. No. 29/610,996, filed herewith and entitled “Electrode Cover for a Plasma Processing Apparatus”; Application Ser. No. 29/610,998, filed herewith and entitled “Ring for a Plasma Processing Apparatus”; and Application Ser. No. 29/611,001, filed herewith and entitled “Discharge Chamber for a Plasma Processing Apparatus”. FIG. 1 is a front, top and right side perspective view of a cover ring for a plasma processing apparatus showing our new design; FIG. 2 is a front elevational view thereof; FIG. 3 is a rear elevational view thereof; FIG. 4 is a right side elevational view thereof; FIG. 5 is a left side elevational view thereof; FIG. 6 is a top plan view thereof; FIG. 7 is a bottom plan view thereof; FIG. 8 is a cross-sectional view taken along line 8-8 of FIG. 2; FIG. 9 is a cross-sectional view taken along line 9-9 of FIG. 4; FIG. 10 is an enlarged view of the portion shown in BOX 10 in FIG. 8; and, FIG. 11 is a front, top, and left side perspective view of FIG. 8.

(Continued)



The box labelled as 10 in FIG. 8 is shown in broken lines and forms no part of the claimed design.

1 Claim, 7 Drawing Sheets

(58) Field of Classification Search

USPC ... 200/52 R, 315, 310, 6 A, 302.1, 308, 314, 200/317, 11 R, 16 B
CPC C25D 17/10; C25D 17/12; C25D 17/14; C25D 17/06; C25D 17/08; C25D 7/12; C25D 7/10; H01L 21/283; H01H 9/02; H01H 9/0214; H01H 9/04; H01H 9/161; H01H 13/04; H01H 13/06; H01H 13/023; H01H 21/08; H01H 19/025

See application file for complete search history.

(56) References Cited

U.S. PATENT DOCUMENTS

D494,551 S 8/2004 Doba
7,186,171 B2* 3/2007 Oh B24B 37/32 451/285
D557,226 S 12/2007 Uchino et al.

D557,425 S 12/2007 Nakamura et al.
D559,993 S * 1/2008 Nagakubo D24/232
D559,994 S 1/2008 Nagakubo et al.
D638,550 S * 5/2011 Bedingham D24/216
D638,951 S * 5/2011 Bedingham D24/216
D667,561 S * 9/2012 Bedingham D24/216
D717,746 S * 11/2014 Lau D13/182
D770,992 S 11/2016 Tauchi et al.
D802,545 S * 11/2017 Tauchi D13/182
D802,790 S * 11/2017 Tauchi D24/232
2003/0066484 A1* 4/2003 Morikage H01J 37/32009 118/723 E
2005/0150452 A1* 7/2005 Sen C23C 16/4412 118/715
2005/0258280 A1* 11/2005 Goto B05B 1/185 239/548
2008/0121620 A1* 5/2008 Guo C23C 14/3464 216/67

OTHER PUBLICATIONS

Ichino et al., Design U.S. Appl. No. 29/610,996, filed Jul. 18, 2017.
Ichino et al., Design U.S. Appl. No. 29/610,998, filed Jul. 18, 2017.
Nunomura et al., Design U.S. Appl. No. 29/611,001, filed Jul. 18, 2017.

* cited by examiner

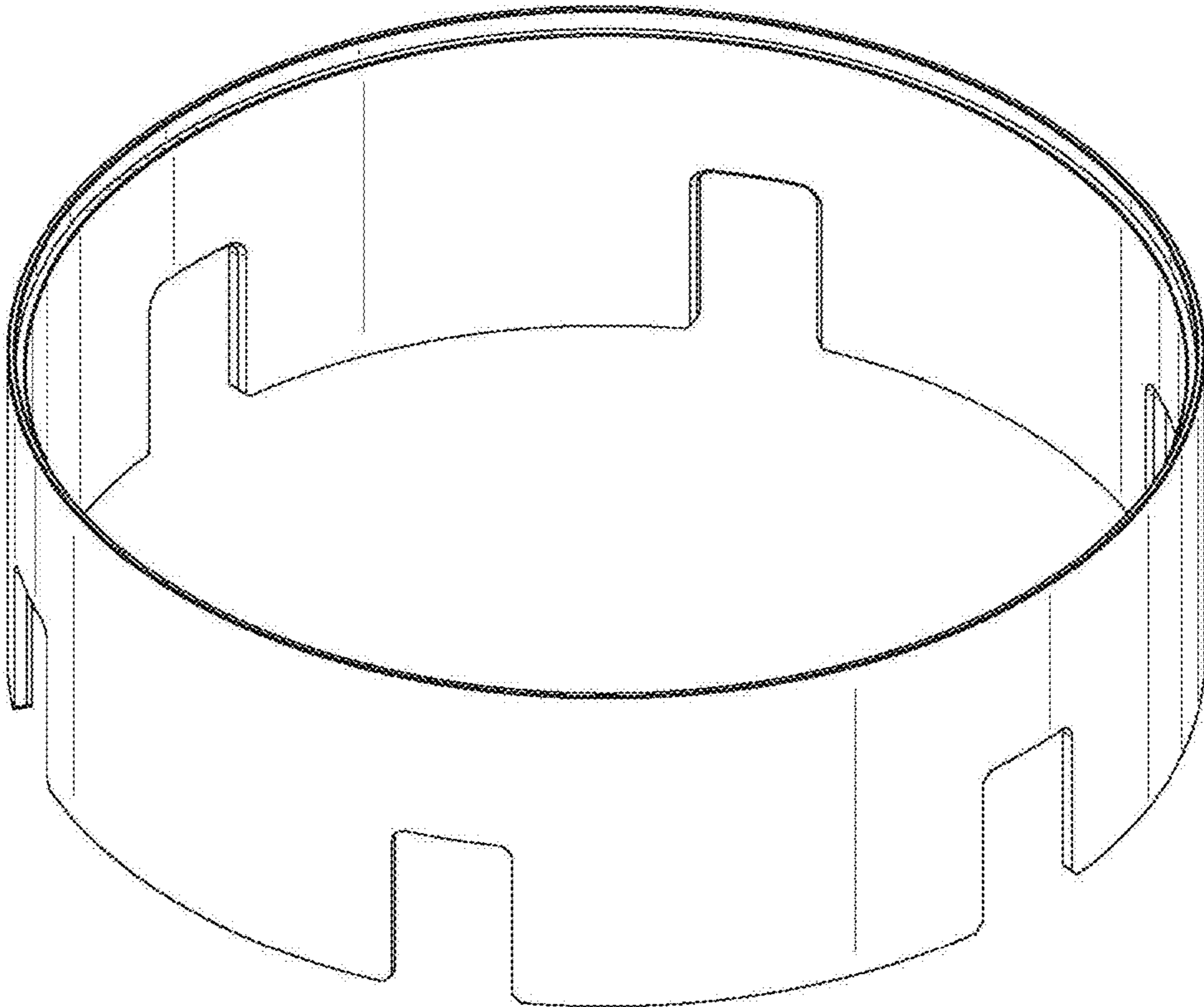


FIG. 1

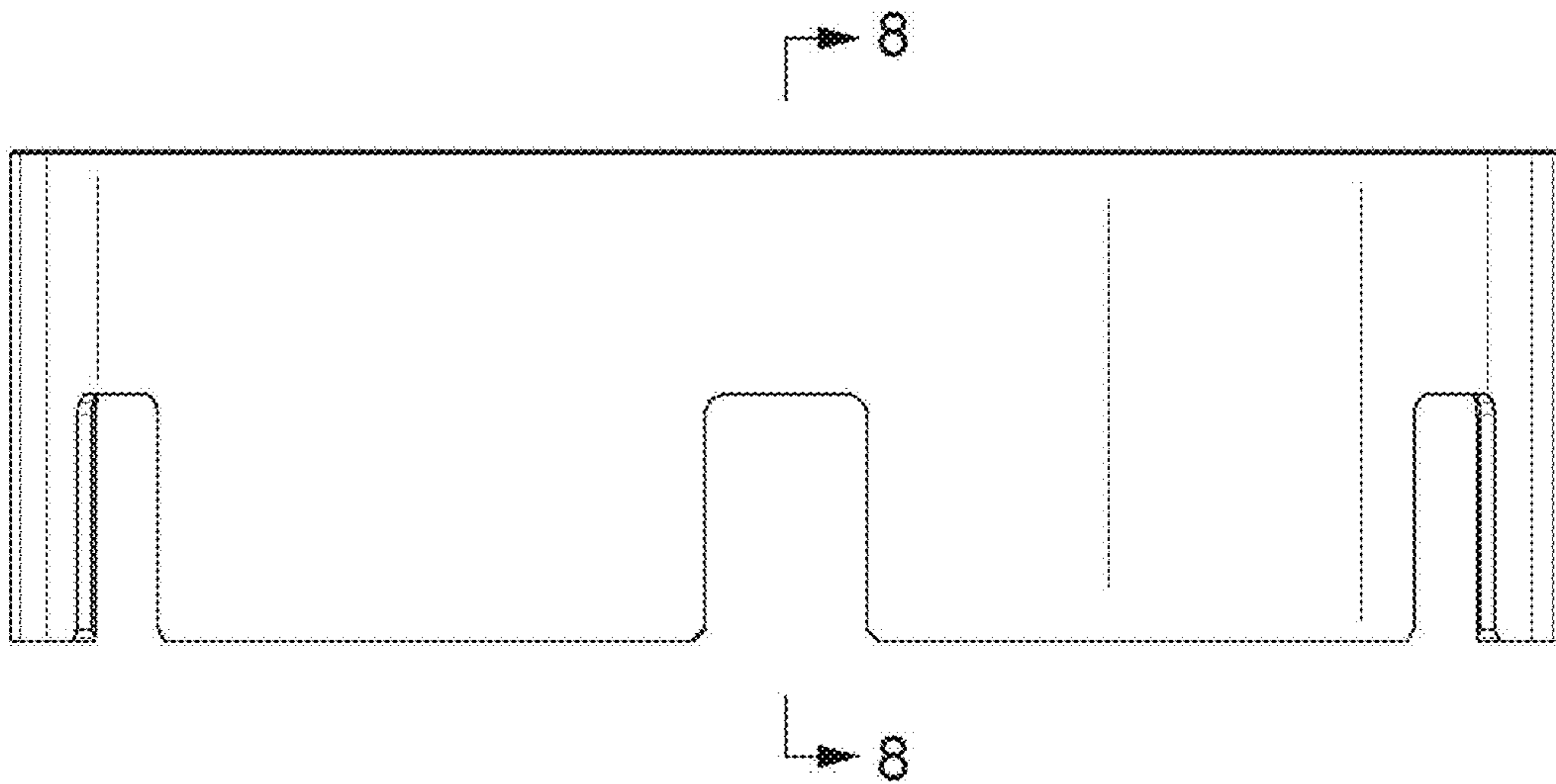


FIG. 2

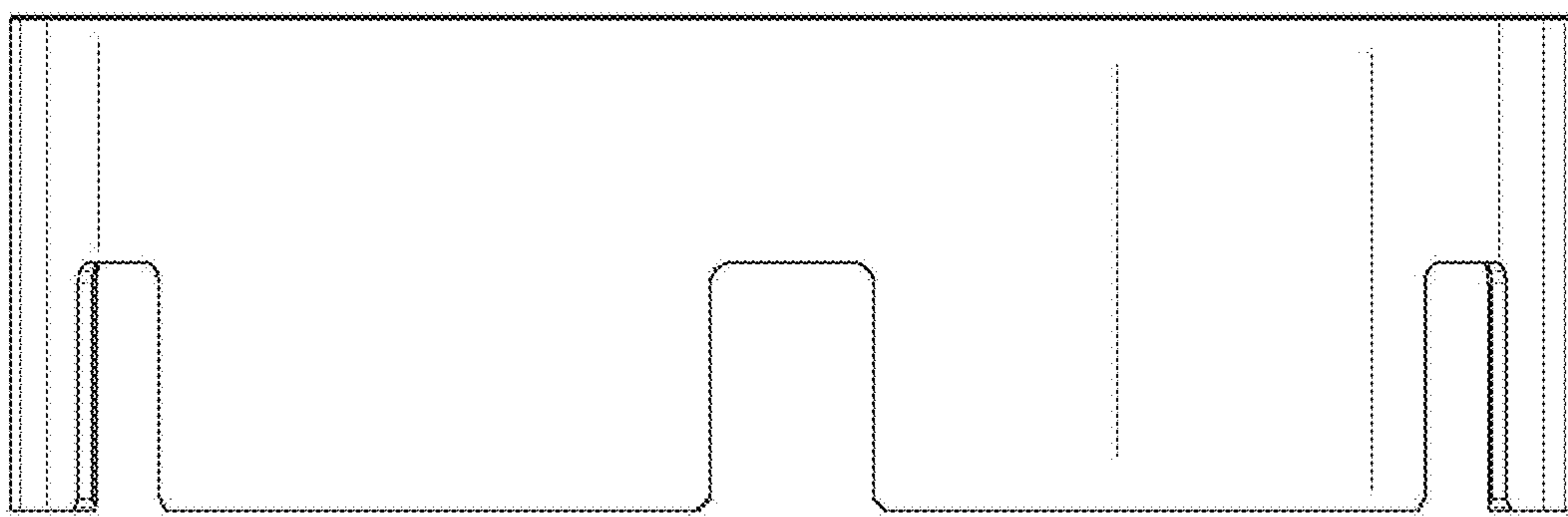


FIG. 3

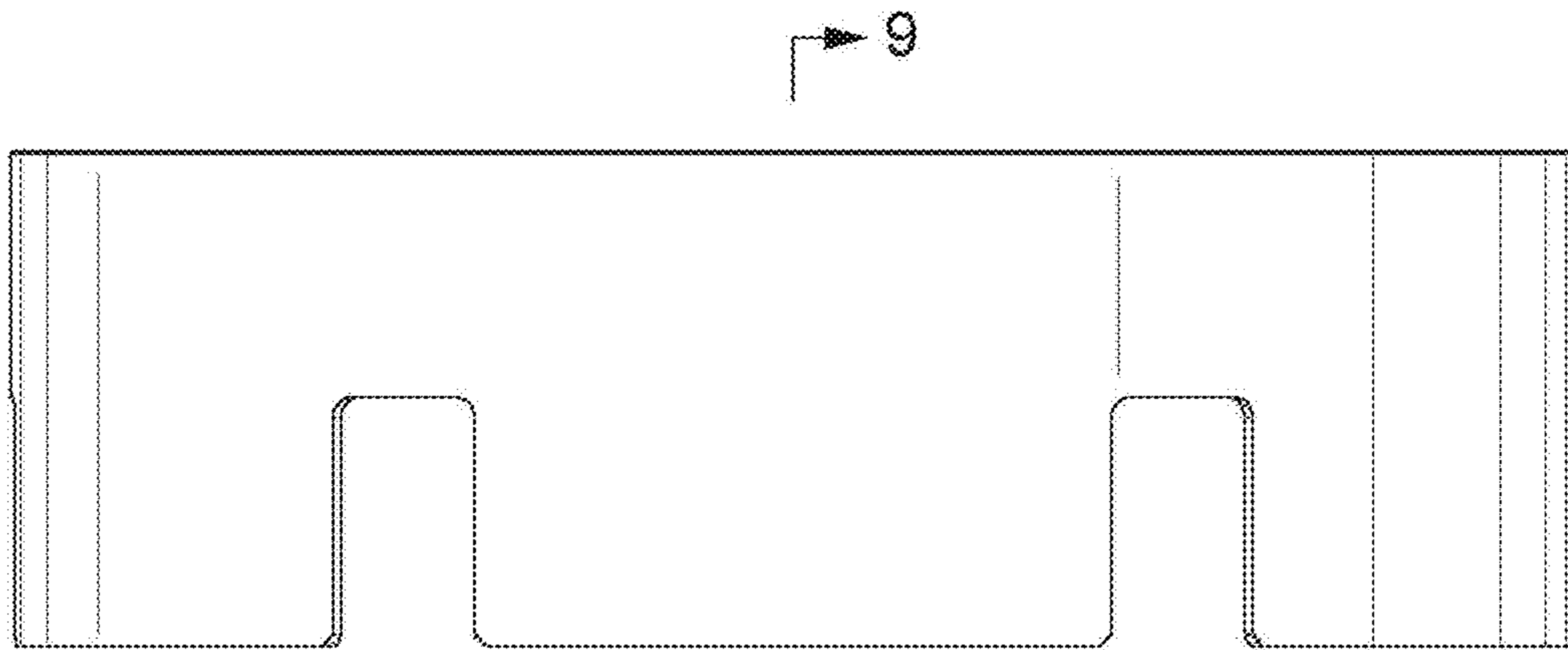


FIG. 4

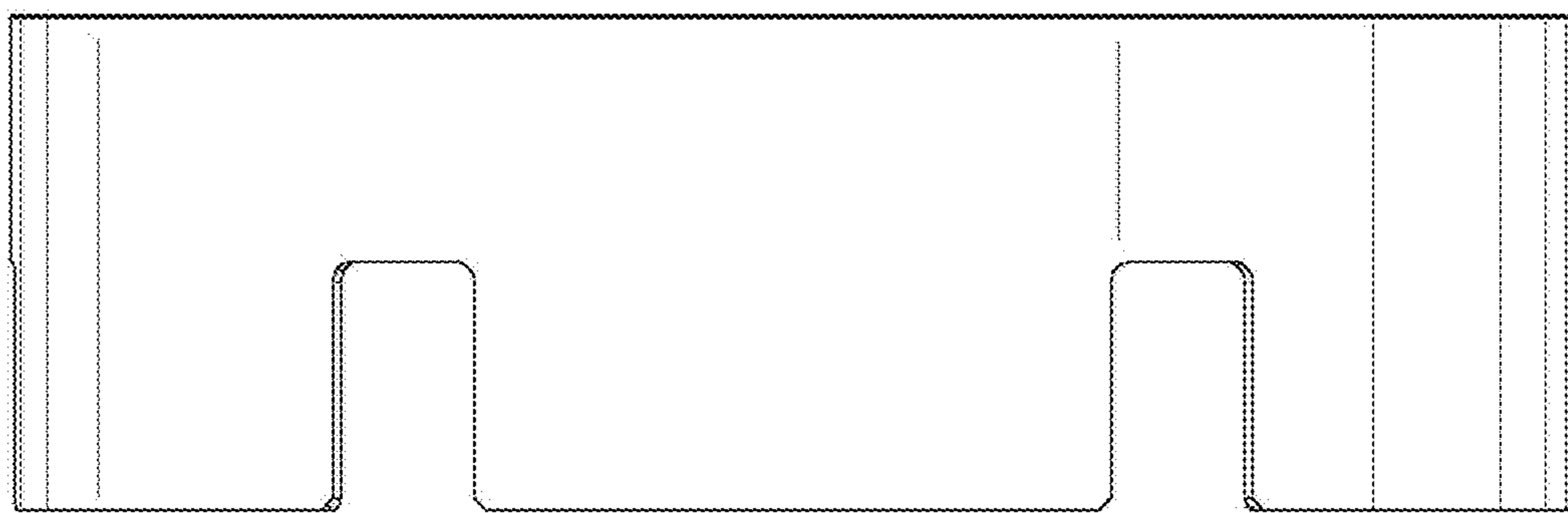


FIG. 5

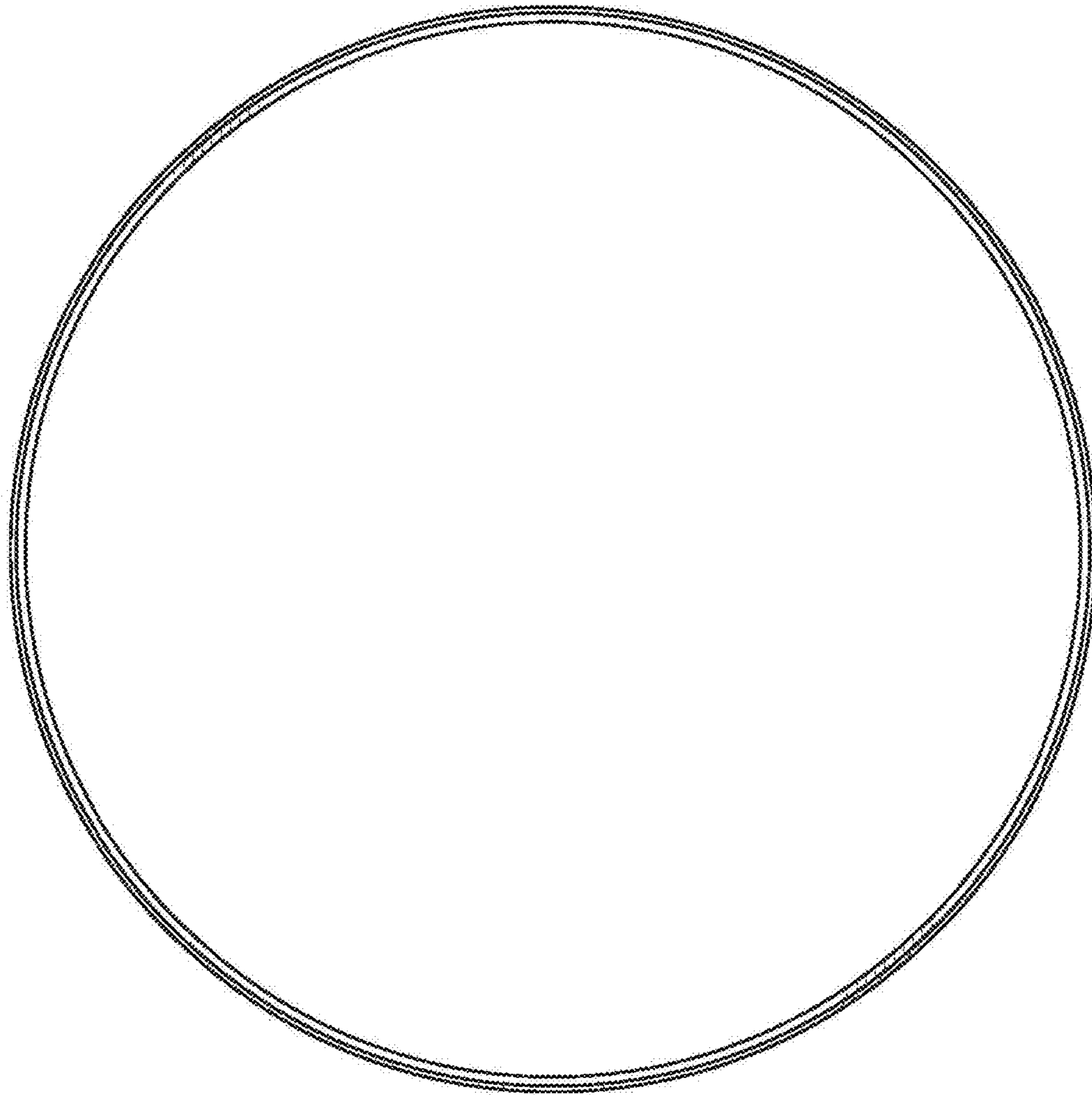


FIG. 6

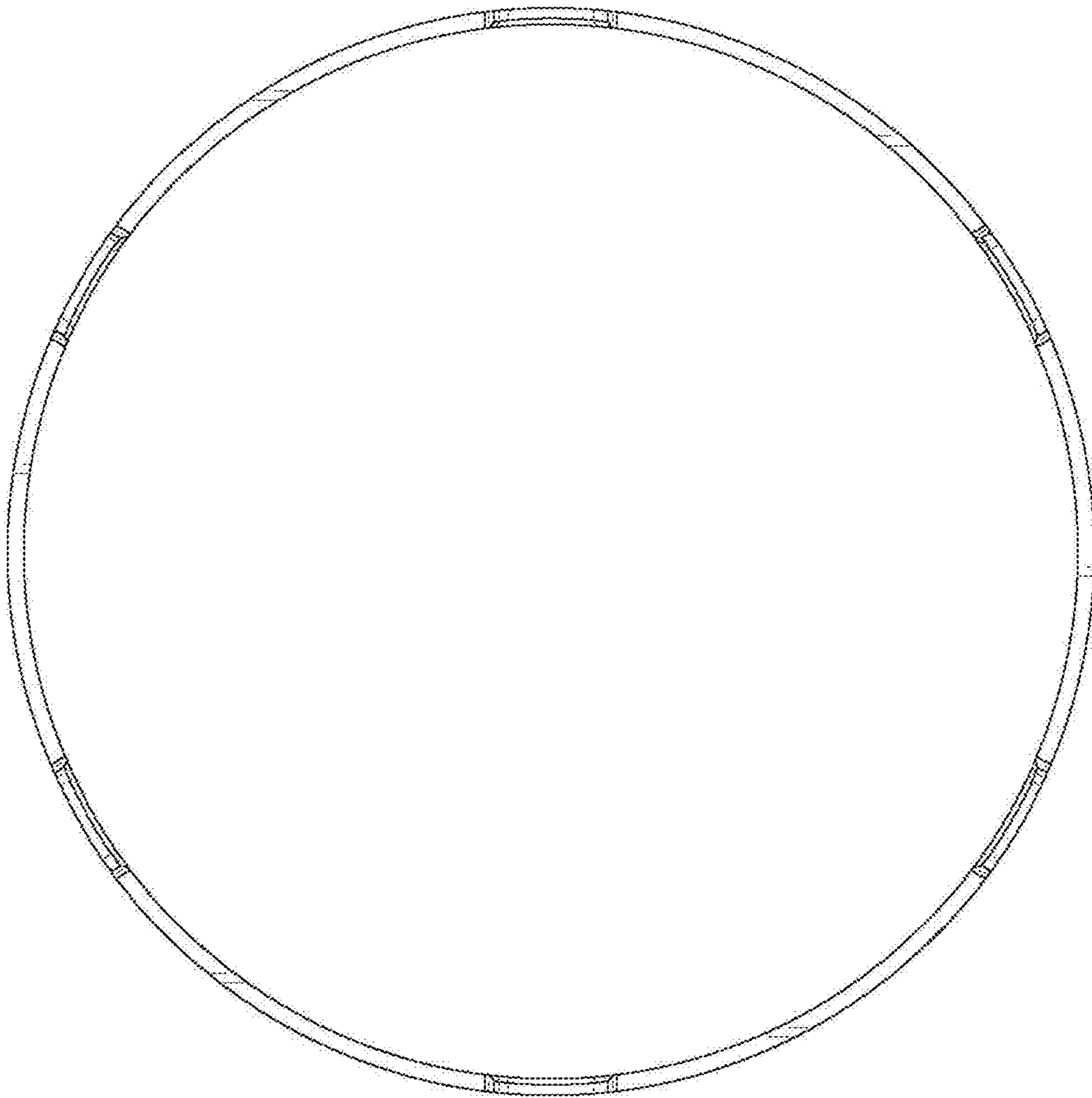


FIG. 7

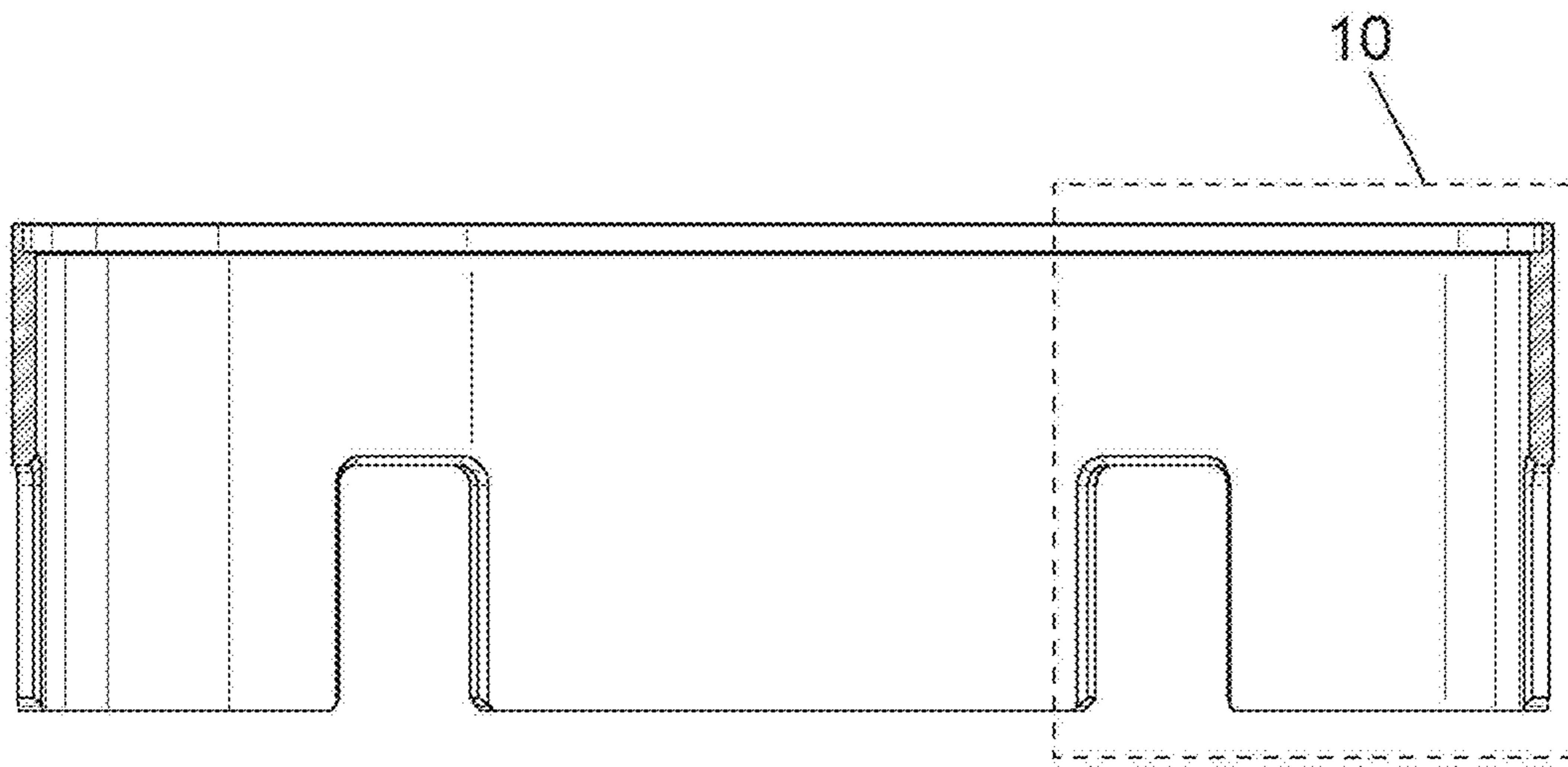


FIG. 8

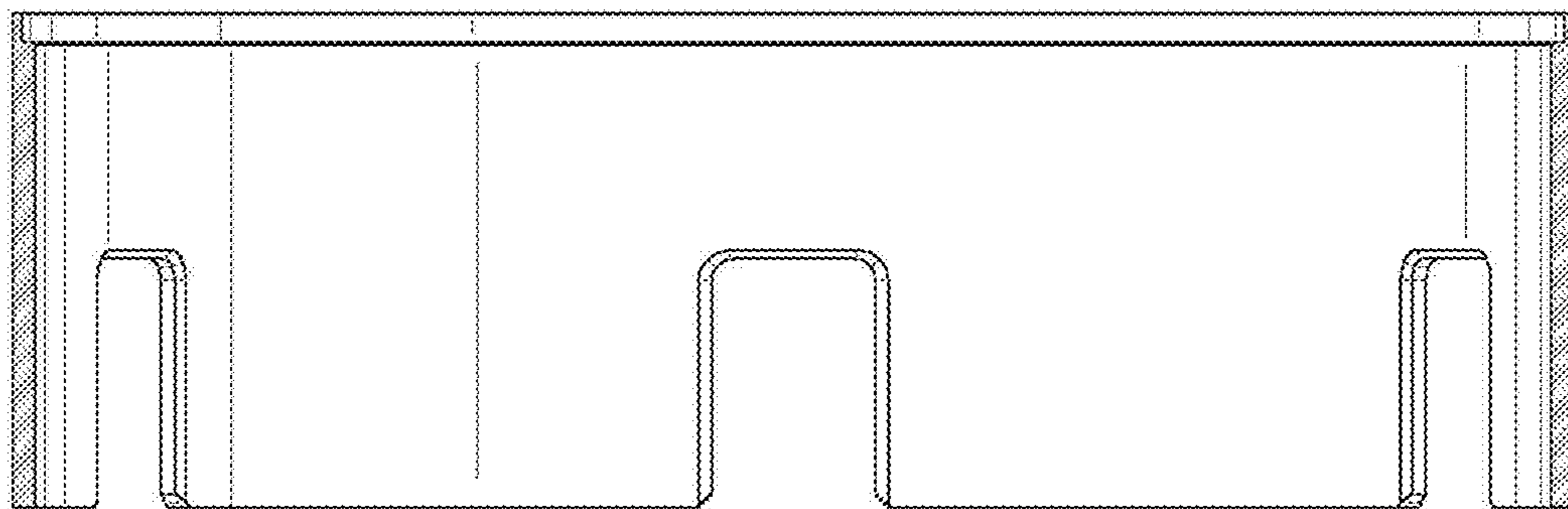


FIG. 9

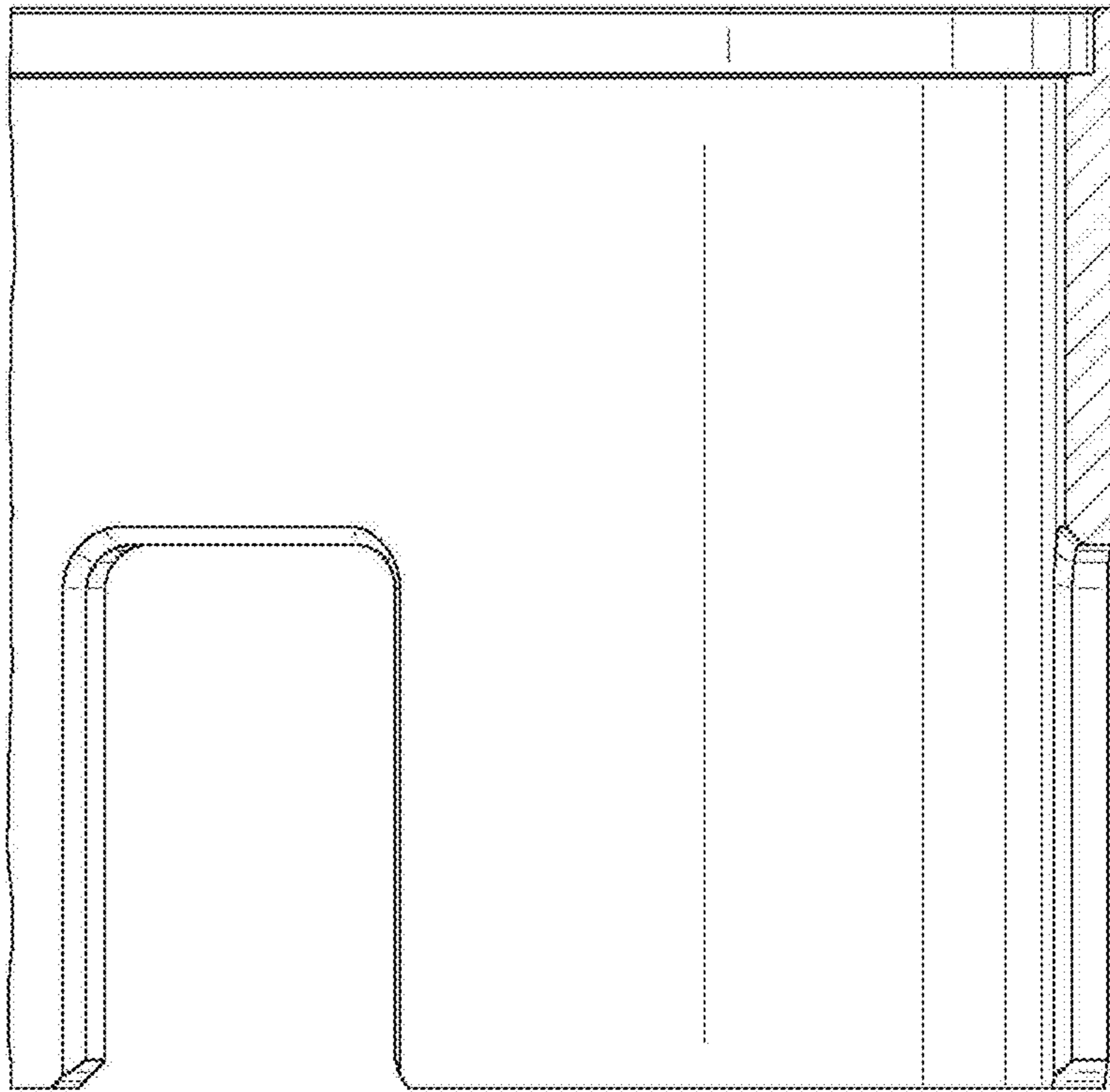


FIG. 10

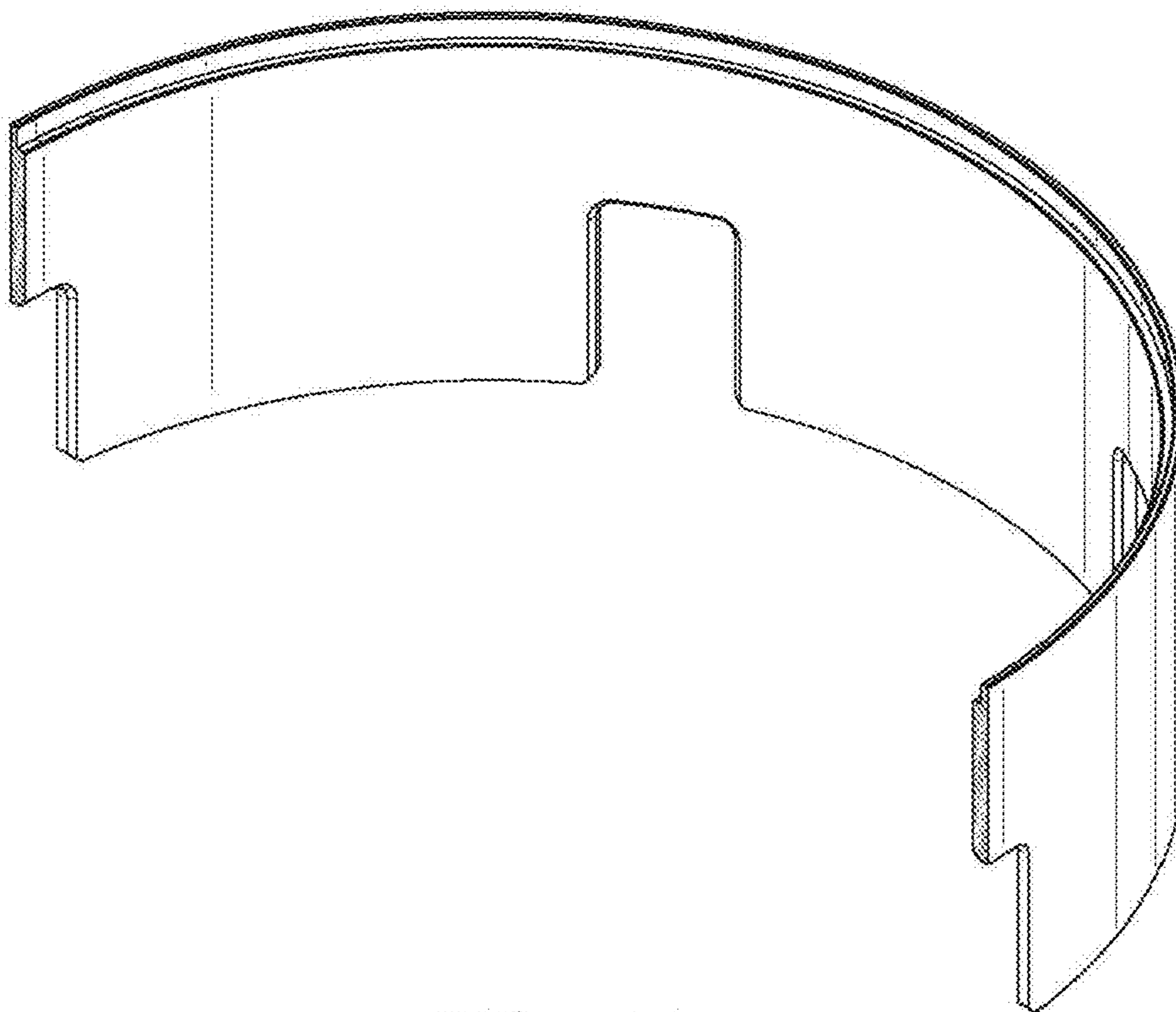


FIG. 11