



US00D840362S

(12) **United States Design Patent** (10) **Patent No.:** **US D840,362 S**
Hakkarainen et al. (45) **Date of Patent:** **** Feb. 12, 2019**

(54) **DIMMER SWITCH**

(56) **References Cited**

(71) Applicant: **Lutron Electronics Co., Inc.**,
Coopersburg, PA (US)
(72) Inventors: **Susan Hakkarainen**, Doylestown, PA
(US); **Jason C. Killo**, Emmaus, PA
(US); **Matthew Philip McDonald**,
Phoenixville, PA (US)

U.S. PATENT DOCUMENTS

3,362,004 A 1/1968 Bang
D227,577 S 7/1973 Mayo
3,746,923 A 7/1973 Spira et al.
D282,462 S 2/1986 Hart
(Continued)

(73) Assignee: **Lutron Electronics Co., Inc.**,
Coopersburg, PA (US)

OTHER PUBLICATIONS

Cooper Wiring Devices, Lighting Controls Line Card, 2007, 4 pages.

(**) Term: **15 Years**

(Continued)

(21) Appl. No.: **29/622,607**

Primary Examiner — Selina Sikder
(74) *Attorney, Agent, or Firm* — Saidman DesignLaw
Group, LLC

(22) Filed: **Oct. 18, 2017**

(57) **CLAIM**

The ornamental design for a dimmer switch, as shown and described.

Related U.S. Application Data

DESCRIPTION

(62) Division of application No. 29/557,523, filed on Mar. 9, 2016, now Pat. No. Des. 808,344.

(51) **LOC (11) Cl.** **13-03**

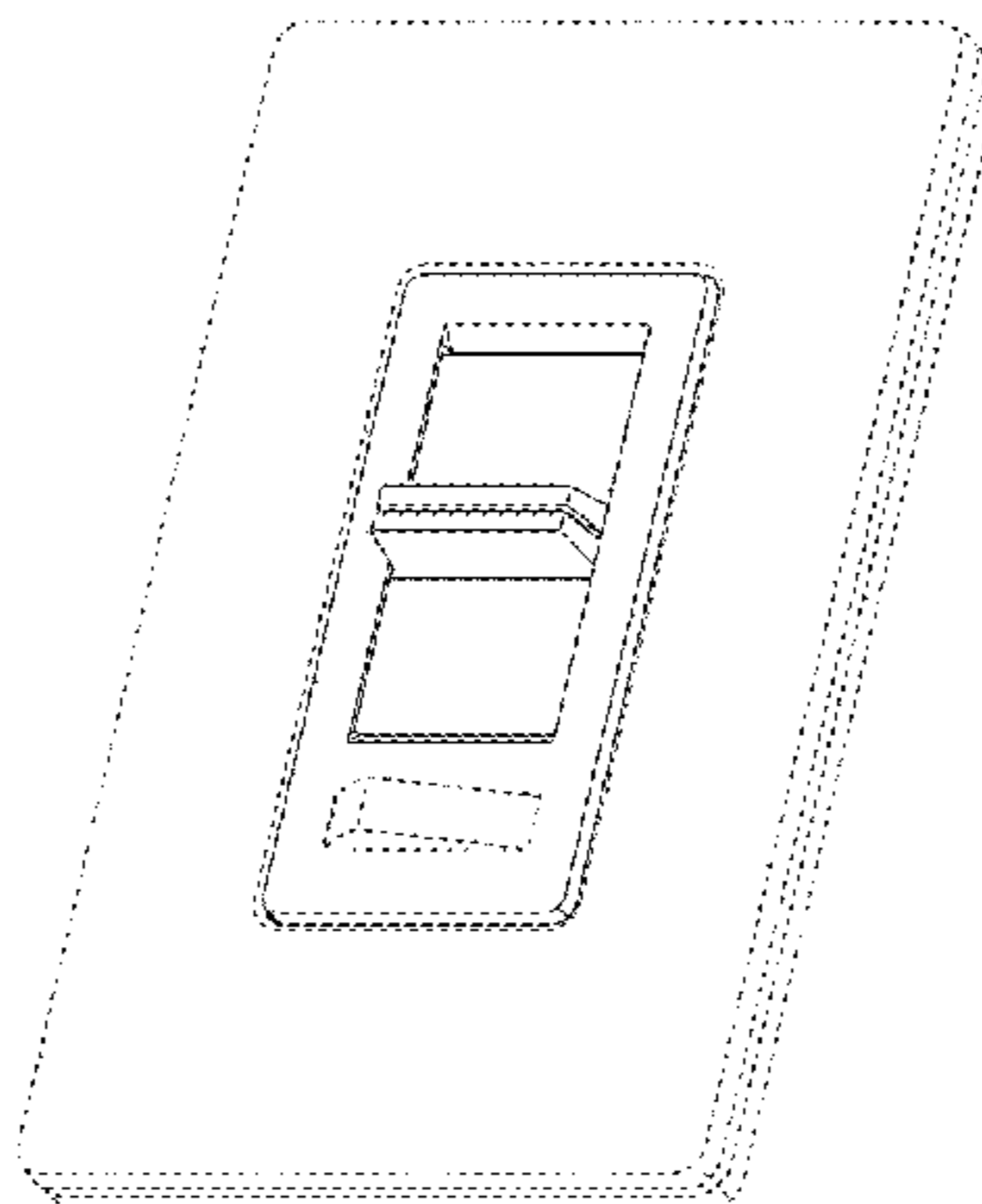
(52) **U.S. Cl.**
USPC **D13/170**

(58) **Field of Classification Search**
USPC D13/162, 169, 170, 173, 174; 174/66
CPC H01C 10/38; H01H 9/02; H01H 9/0271;
H01H 9/16; H01H 9/18; H01H 9/161;
H01H 9/181; H01H 9/182; H01H 13/04;
H01H 13/14; H01H 13/20; H01H 13/30;
H01H 19/635; H01H 23/00; H01H 23/02;
H01H 23/025; H01H 23/04; H01H
23/145; H01H 23/148; H01H 23/205;
H01H 23/30; H01H 15/02; H01H 15/04;
H01H 15/06; H01H 15/10; H05B 37/02;
H05B 37/0254; H05B 37/0272; H05B
39/02; H05B 39/04; H05B 39/085; H05B
39/086; H05B 39/088

FIG. 1 is a front perspective view of a dimmer switch showing our new design;
FIG. 2 is a front view thereof;
FIG. 3 is a left side view thereof;
FIG. 4 is a right side view thereof;
FIG. 5 is a top view thereof;
FIG. 6 is a bottom view thereof;
FIG. 7 is a front perspective view of a second embodiment thereof;
FIG. 8 is a front view thereof;
FIG. 9 is a left side view thereof;
FIG. 10 is a right side view thereof;
FIG. 11 is a top view thereof; and,
FIG. 12 is a bottom view thereof.
The dashed broken lines represent structure or features which form no part of the claimed design; the broken lines themselves form no part of the claimed design.

See application file for complete search history.

1 Claim, 4 Drawing Sheets



(56)

References Cited

U.S. PATENT DOCUMENTS

4,803,380 A 2/1989 Jacoby, Jr. et al.
 4,816,626 A 3/1989 Valenzona et al.
 4,880,950 A 11/1989 Carson et al.
 4,914,265 A 4/1990 Mongeau
 4,924,349 A 5/1990 Buehler et al.
 4,939,383 A 7/1990 Tucker et al.
 4,947,054 A 8/1990 Flowers et al.
 4,972,045 A 11/1990 Primeau
 D316,250 S 4/1991 Mongeau
 D335,282 S 5/1993 Jurell et al.
 D339,326 S 9/1993 Mayo et al.
 5,924,552 A 7/1999 Yu
 D457,145 S 5/2002 Pagano et al.
 D539,235 S 3/2007 Mayo et al.
 D541,222 S 4/2007 Mayo et al.
 7,416,310 B1 8/2008 Savicki, Jr.
 D597,495 S 8/2009 Samuels et al.
 D597,496 S 8/2009 Samuels et al.
 7,579,566 B2 8/2009 Sloan et al.
 D600,656 S 9/2009 Altonen et al.
 D616,838 S 6/2010 Samuels et al.
 D630,594 S 1/2011 Samuels et al.
 D630,595 S 1/2011 Samuels et al.

D645,828 S 9/2011 Su
 D787,453 S 5/2017 Hakkarainen et al.
 D787,454 S 5/2017 Hakkarainen et al.
 D788,050 S 5/2017 Hakkarainen et al.
 D797,062 S 9/2017 Hakkarainen et al.
 D808,344 S * 1/2018 Hakkarainen D13/170
 2007/0272535 A1 11/2007 Sloan et al.
 2009/0211889 A1 8/2009 Ito
 2016/0233785 A1 8/2016 Newman, Jr. et al.

OTHER PUBLICATIONS

Cooper Wiring Devices, Full Slide Decorator Dimmers & Fan Speed Controls, 2007, 2 pages.
 Cooper Wiring Devices, Decorator Slide Dimmers & Fan Speed Controls, 2007, 2 pages.
 Leviton, Lighting and Fan Speed Controls Product Guide, 2006, 16 pages.
 Leviton, The Largest Selection of Wiring Devices for Construction and Maintenance, 2003, 6 pages.
 Lutron Electronics Co., Inc., Lumea C•L Dimmer Specification Submittal, Dec. 12, 2012, 5 pages.
 U.S. Appl. No. 29/557,522, filed Mar. 9, 2016 (unpublished).
 U.S. Appl. No. 29/557,528, filed Mar. 9, 2016 (unpublished).

* cited by examiner

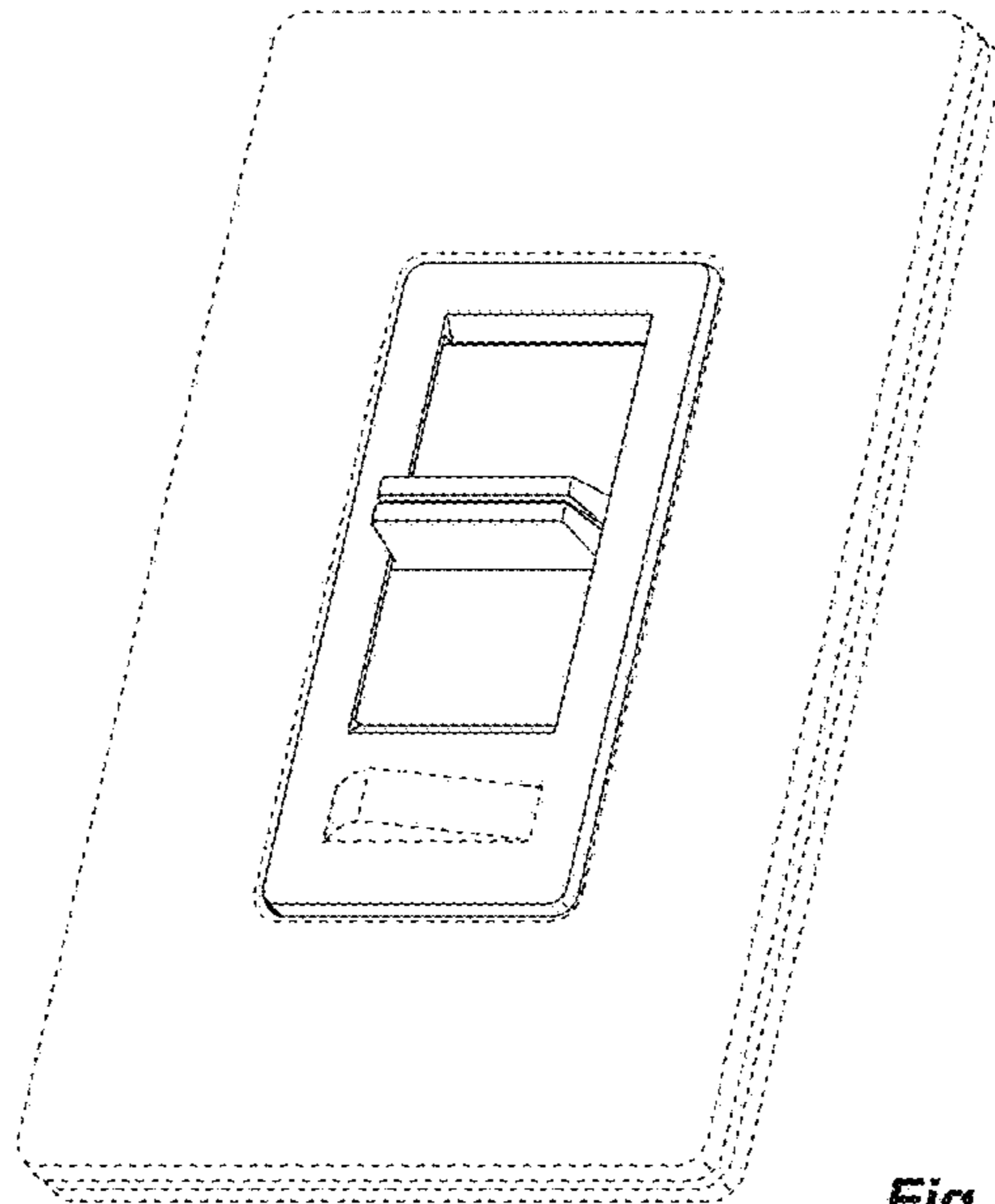


Fig. 1

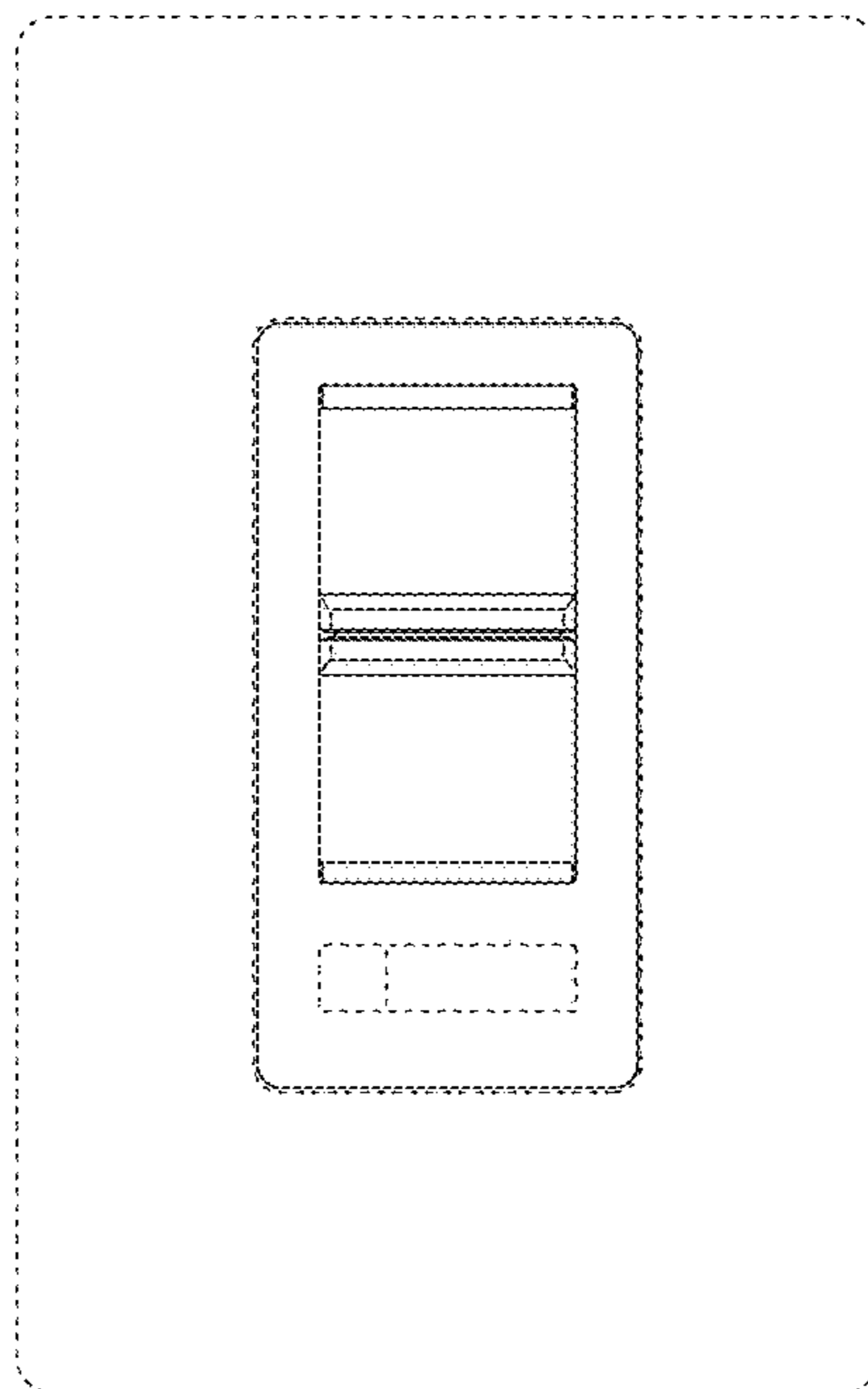


Fig. 2

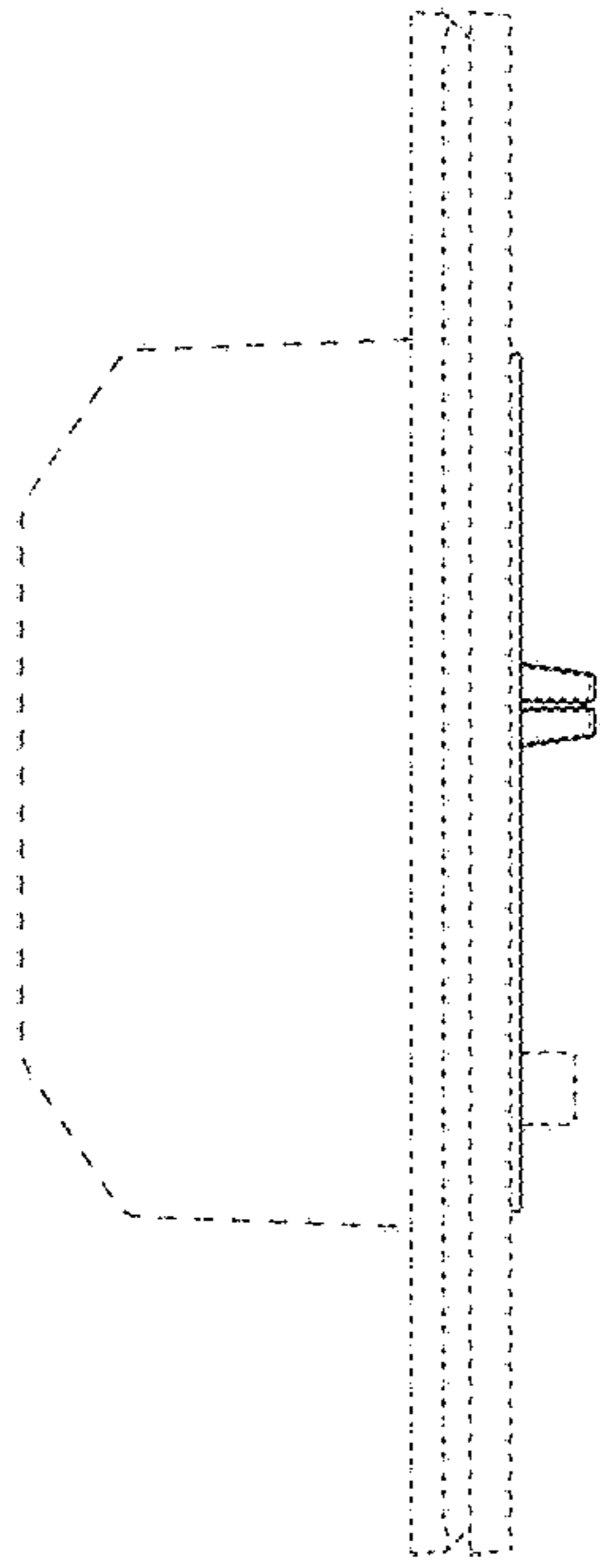


Fig. 3

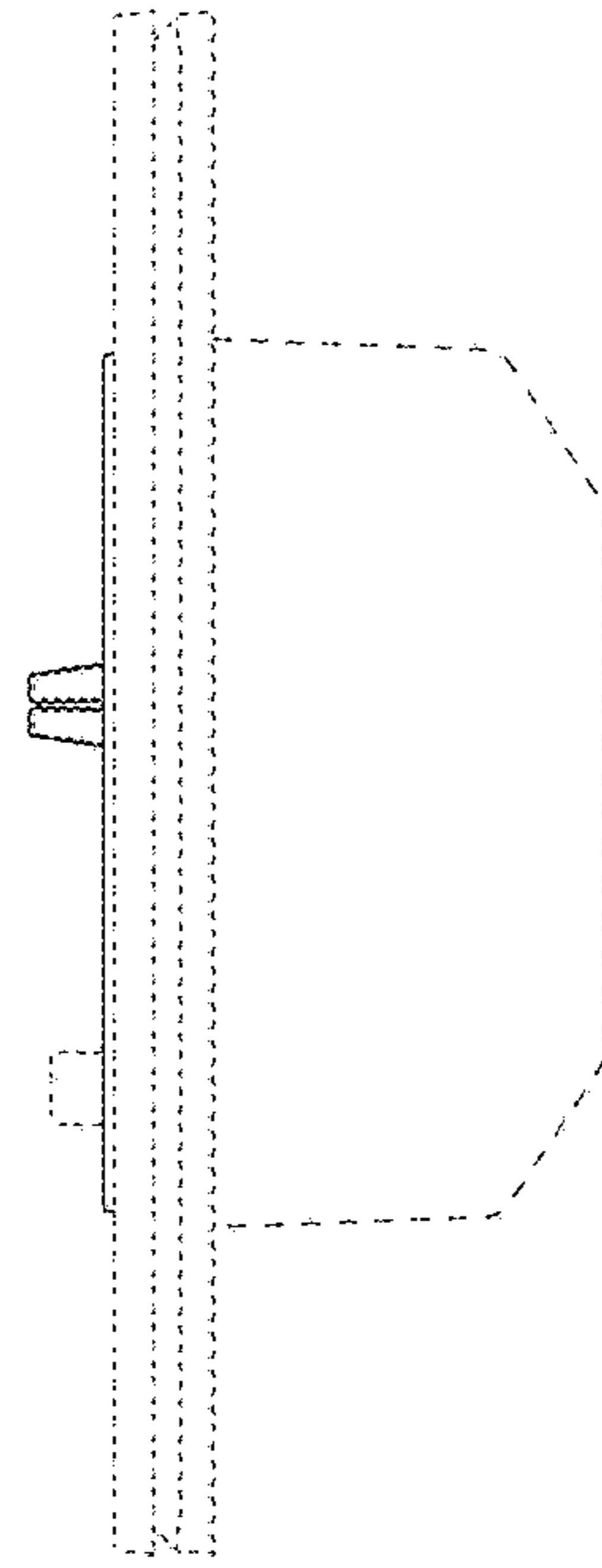


Fig. 4

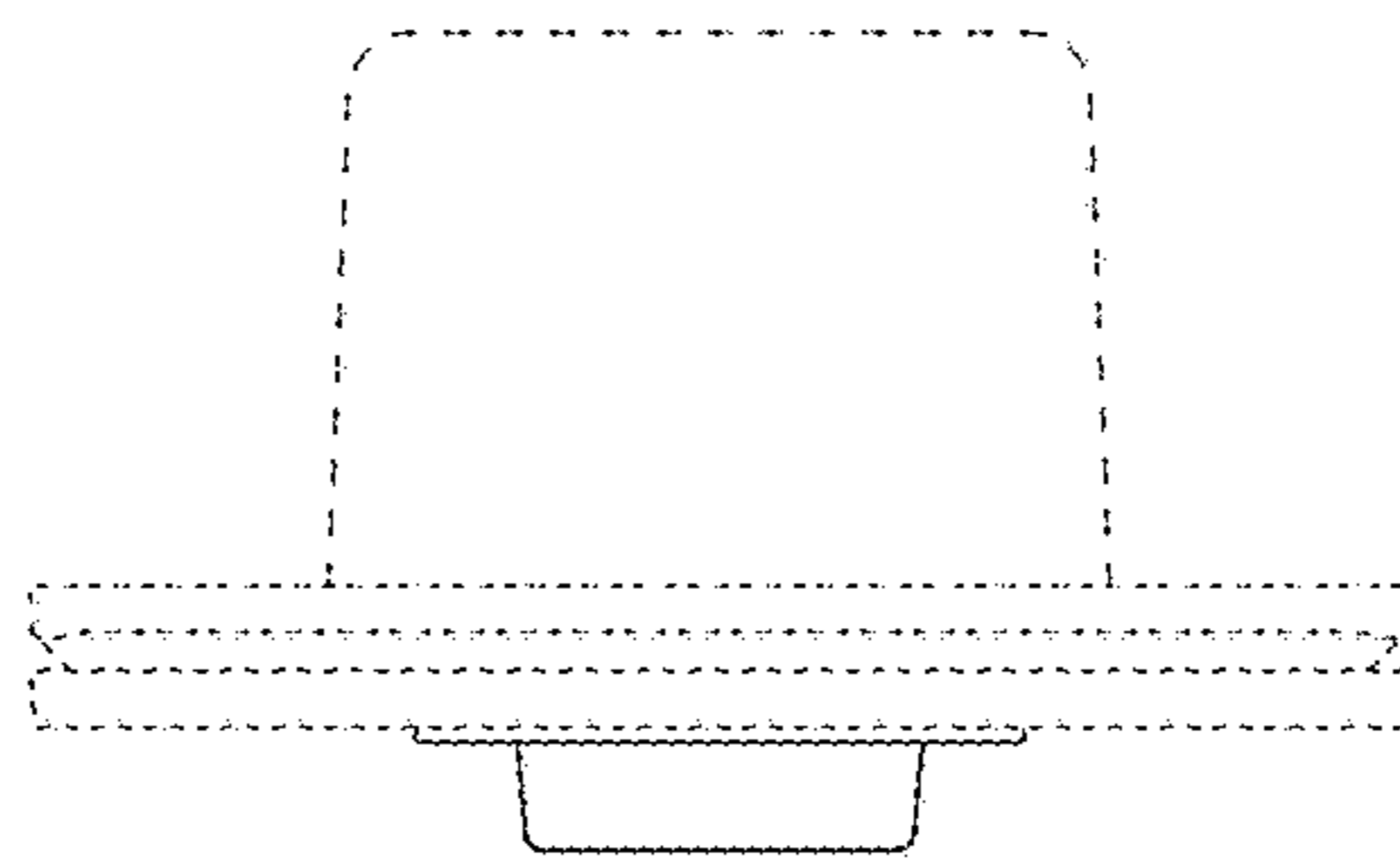


Fig. 5

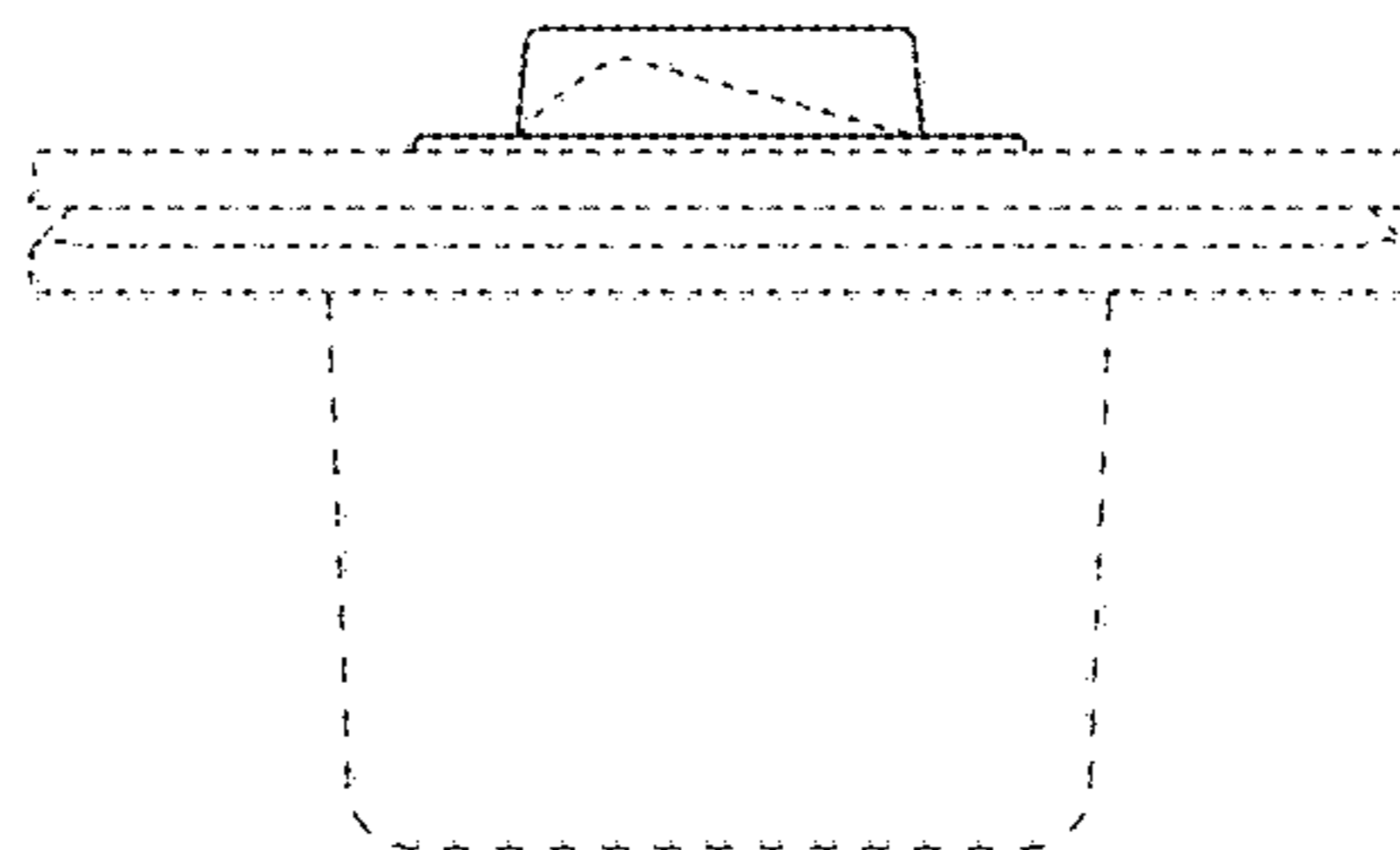


Fig. 6

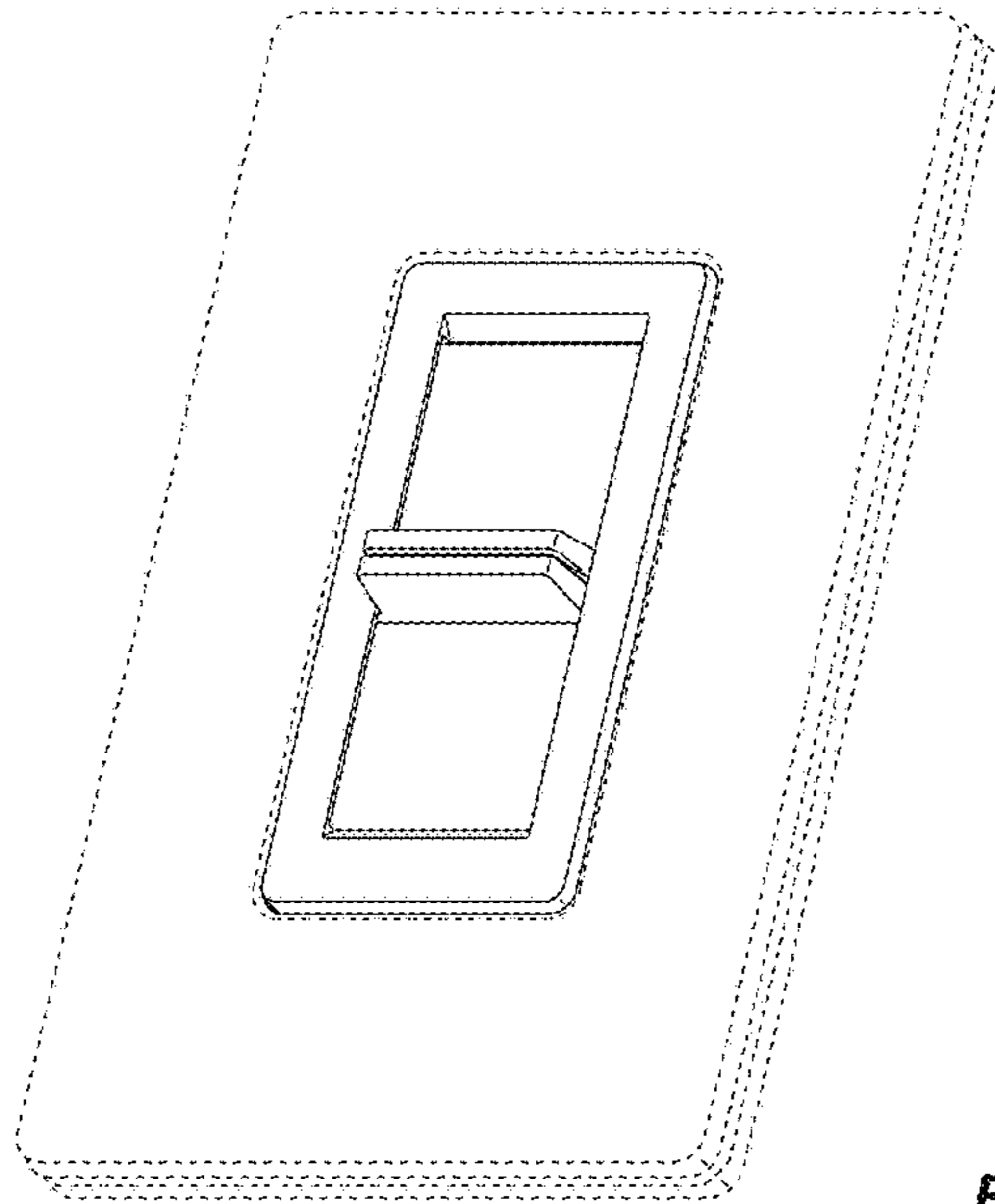


Fig. 7

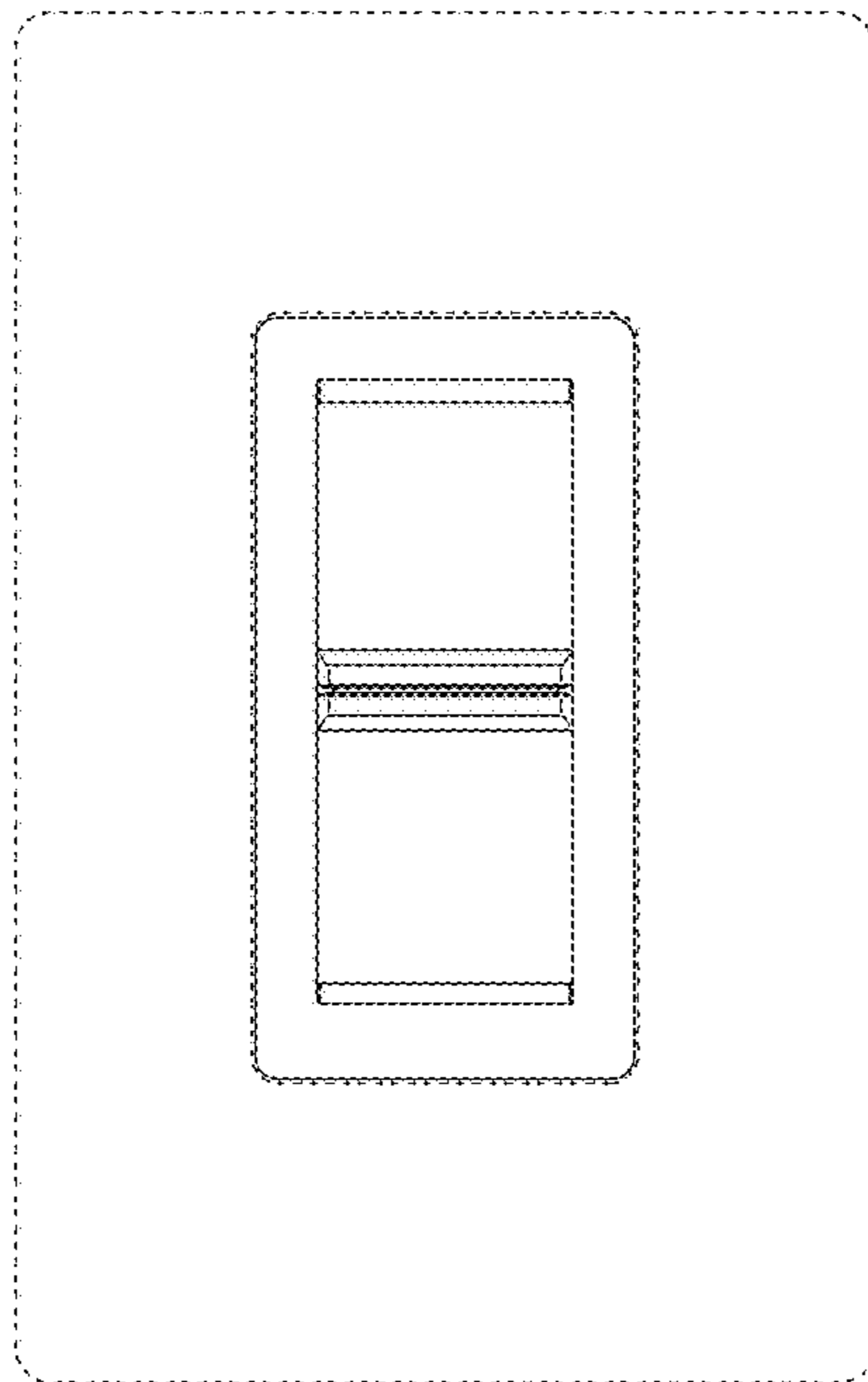


Fig. 8

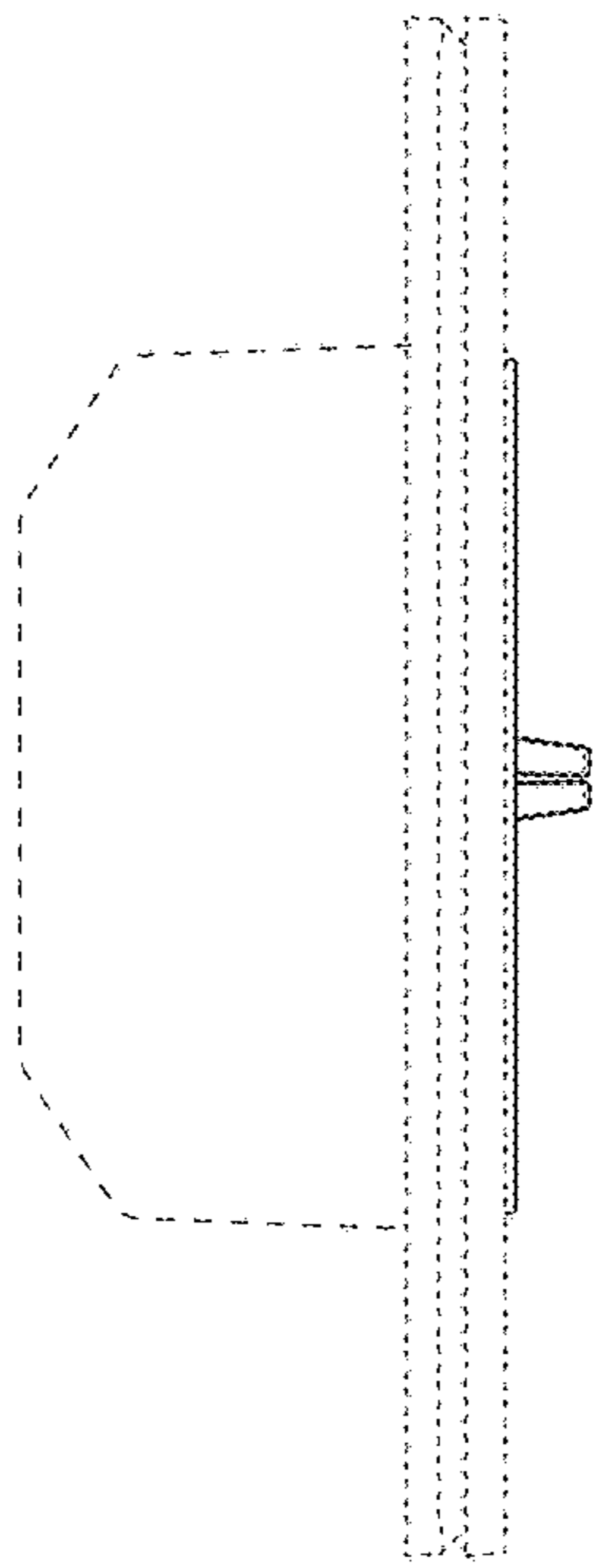


Fig. 9

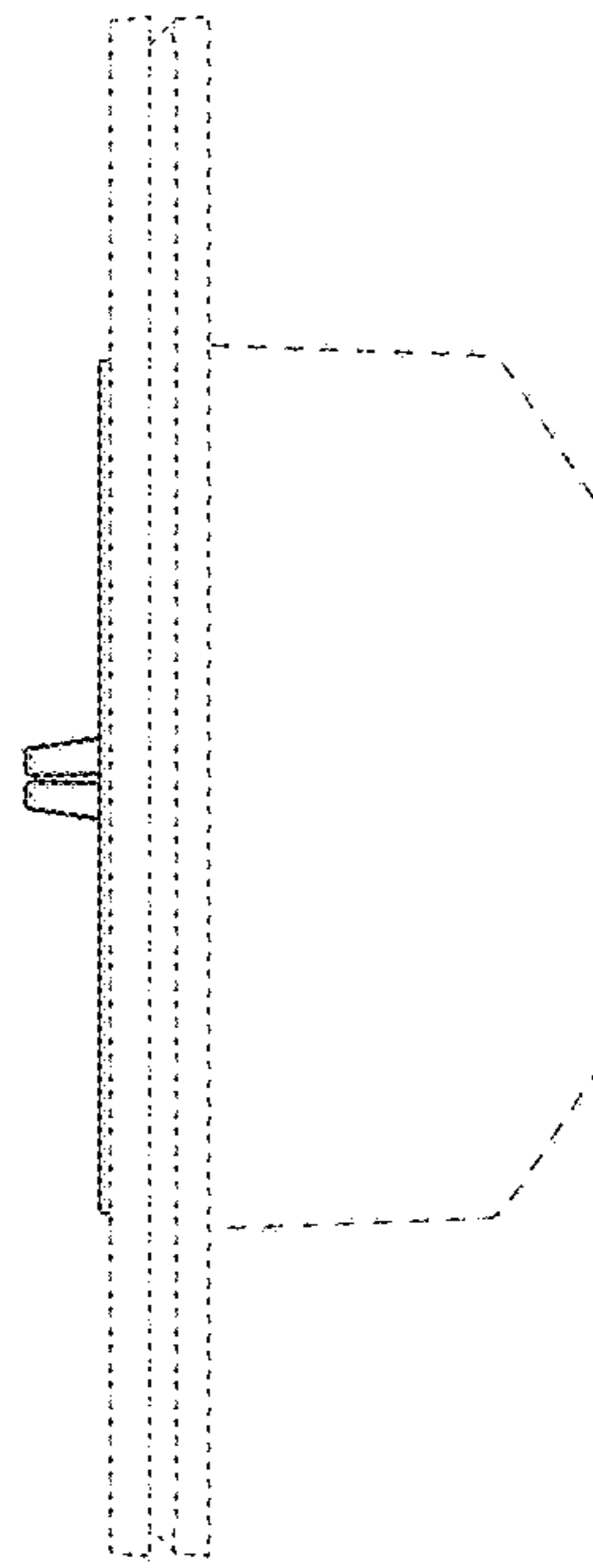


Fig. 10

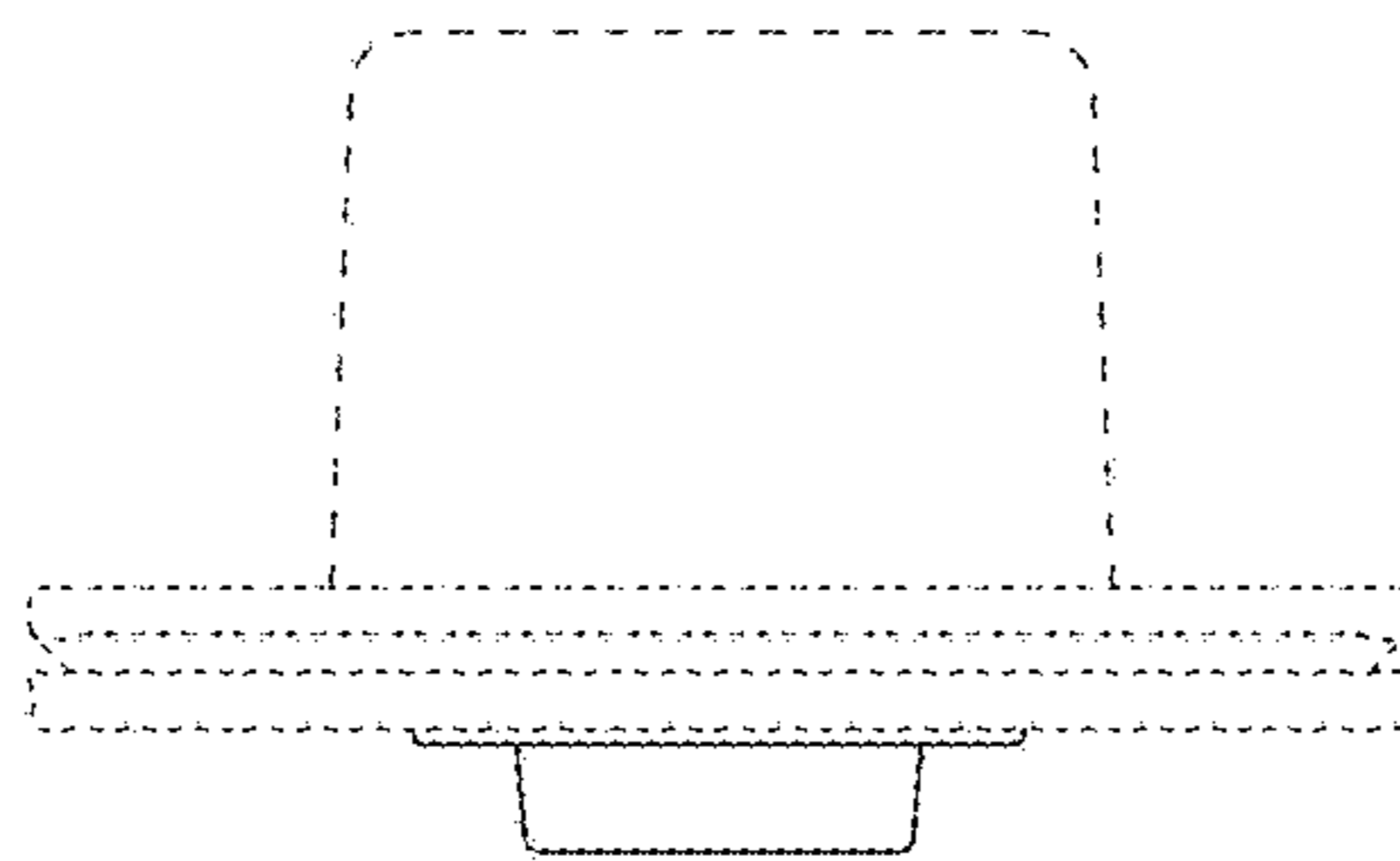


Fig. 11

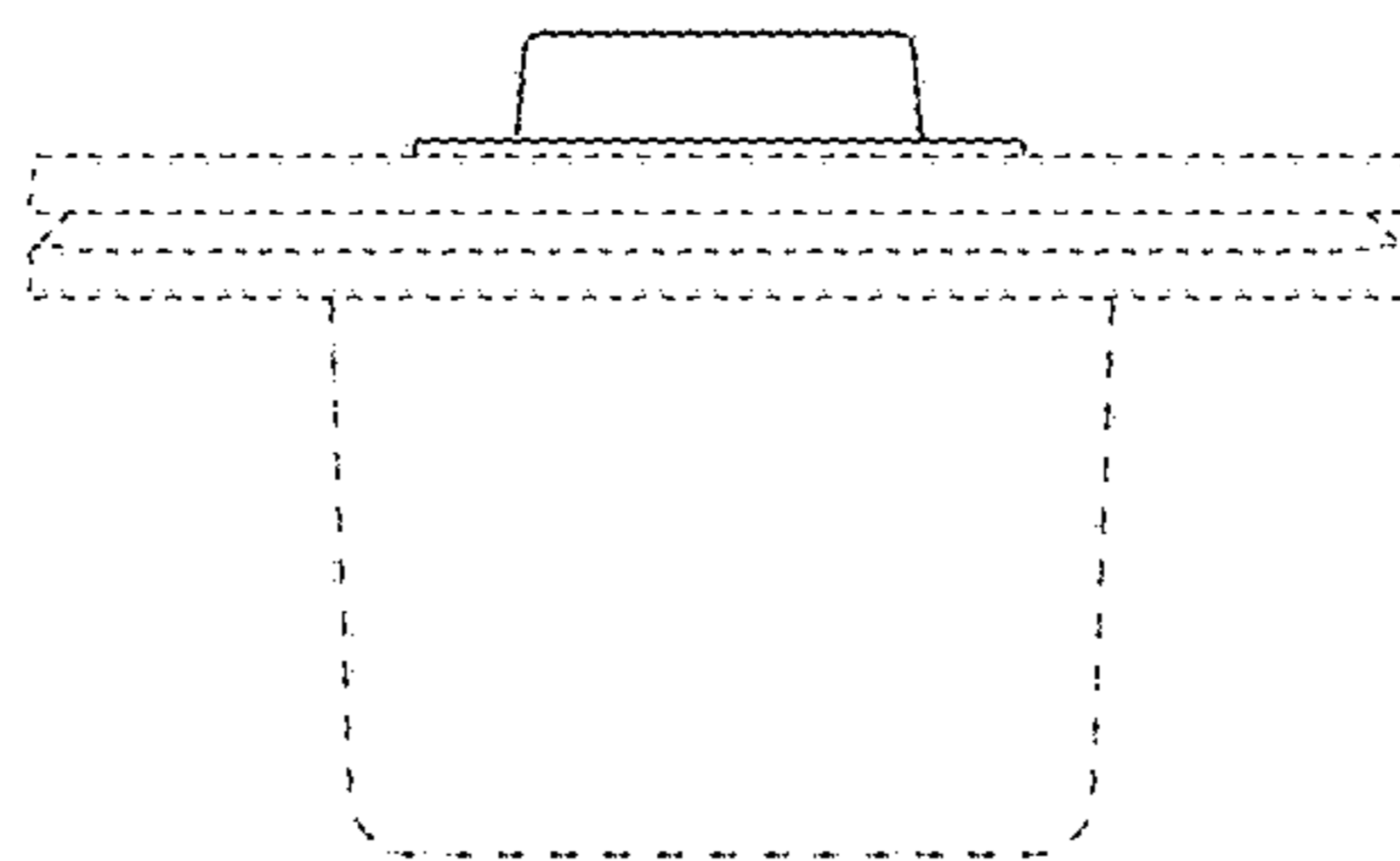


Fig. 12