



US00D840361S

(12) **United States Design Patent** (10) **Patent No.:** **US D840,361 S**
Gassner (45) **Date of Patent:** **** Feb. 12, 2019**

(54) **HAND CONTROLLER**

(56) **References Cited**

(71) Applicant: **LIMOSS (SHENZHEN) CO., LTD.,**
Shenzhen (CN)

U.S. PATENT DOCUMENTS

(72) Inventor: **Christian Gassner**, Shenzhen (CN)

D391,944 S *	3/1998	Han	D14/356
D507,569 S *	7/2005	Tagliabue	D14/356
D515,040 S *	2/2006	Jones	D13/168
D526,973 S *	8/2006	Gates	D13/168
D627,306 S *	11/2010	Charleux	D13/168
D644,210 S *	8/2011	Chiu	D14/218
D659,093 S *	5/2012	Schmid	D13/108
D738,858 S *	9/2015	Tuhkanen	D14/218
D782,987 S *	4/2017	Gassner	D13/171
9,673,579 B2 *	6/2017	Gassner	H01R 24/60
9,774,199 B2 *	9/2017	Gassner	G05G 1/02
9,804,632 B2 *	10/2017	Gassner	G05G 1/02

(73) Assignee: **LIMOSS (SHENZHEN) CO., LTD.,**
Shenzhen (CN)

(**) Term: **15 Years**

(21) Appl. No.: **29/630,311**

(22) Filed: **Dec. 20, 2017**

* cited by examiner

(30) **Foreign Application Priority Data**

Nov. 2, 2017 (CN) 2017 3 0534820

(51) **LOC (11) Cl.** **14-03**

(52) **U.S. Cl.**
USPC **D13/168**

(58) **Field of Classification Search**
USPC D13/162, 168, 171
CPC H01H 3/02; H01H 3/022; H01H 3/12;
H01H 3/122; H01H 9/02; H01H 9/0214;
H01H 9/0235; H01H 13/023; H01H
13/04; H01H 13/06; H01H 13/063; H01H
13/10; H01H 13/12; H01H 13/14; H01H
13/36; H01H 13/70; H01H 13/86; H01H
21/24; H01H 25/065; A47C 1/0242;
A47C 1/0345; A47C 1/035; A47C 7/506;
G05G 1/02; G08C 17/02

See application file for complete search history.

Primary Examiner — Selina Sikder

(74) *Attorney, Agent, or Firm* — Peter J. Ims; Westman,
Champlin & Koehler, P.A.

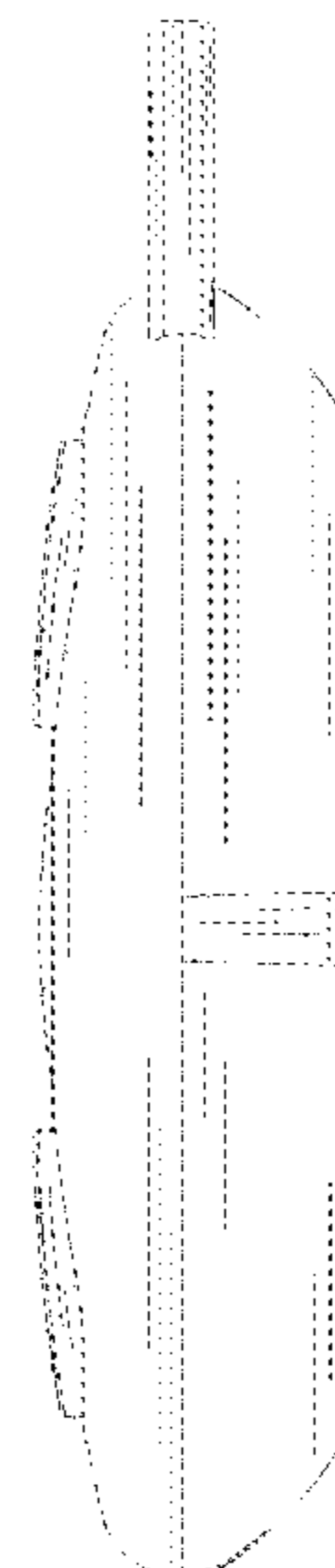
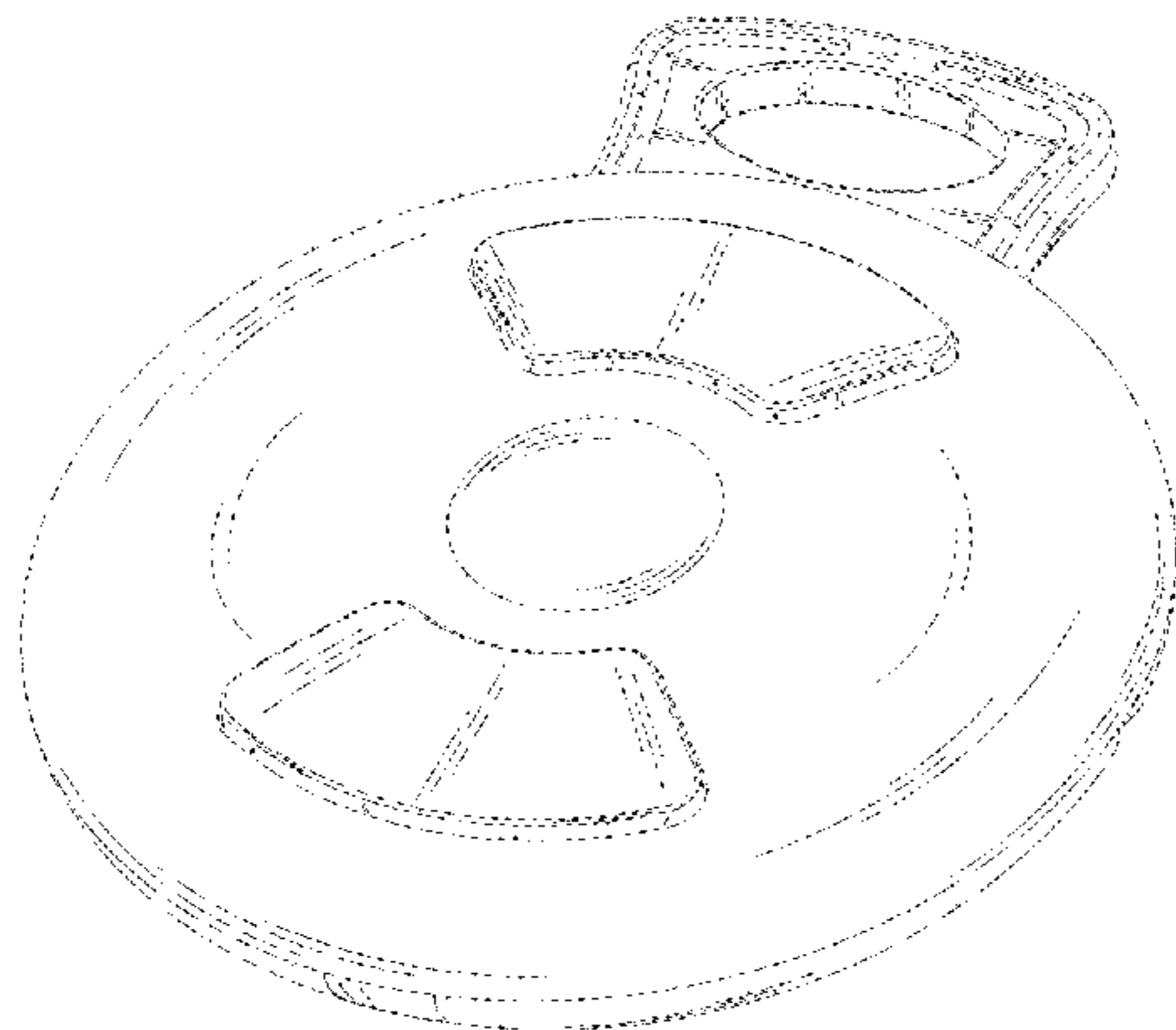
(57) **CLAIM**

The ornamental design for a hand controller, as shown and described.

DESCRIPTION

FIG. 1 is a perspective view 1 of a hand controller;
FIG. 2 is a perspective view 2 of the hand controller;
FIG. 3 is a front view of the hand controller;
FIG. 4 is a back view of the hand controller;
FIG. 5 is a left side view of the hand controller;
FIG. 6 is a right side view of the hand controller;
FIG. 7 is a top view of the hand controller; and,
FIG. 8 is a bottom view of the hand controller.

1 Claim, 8 Drawing Sheets



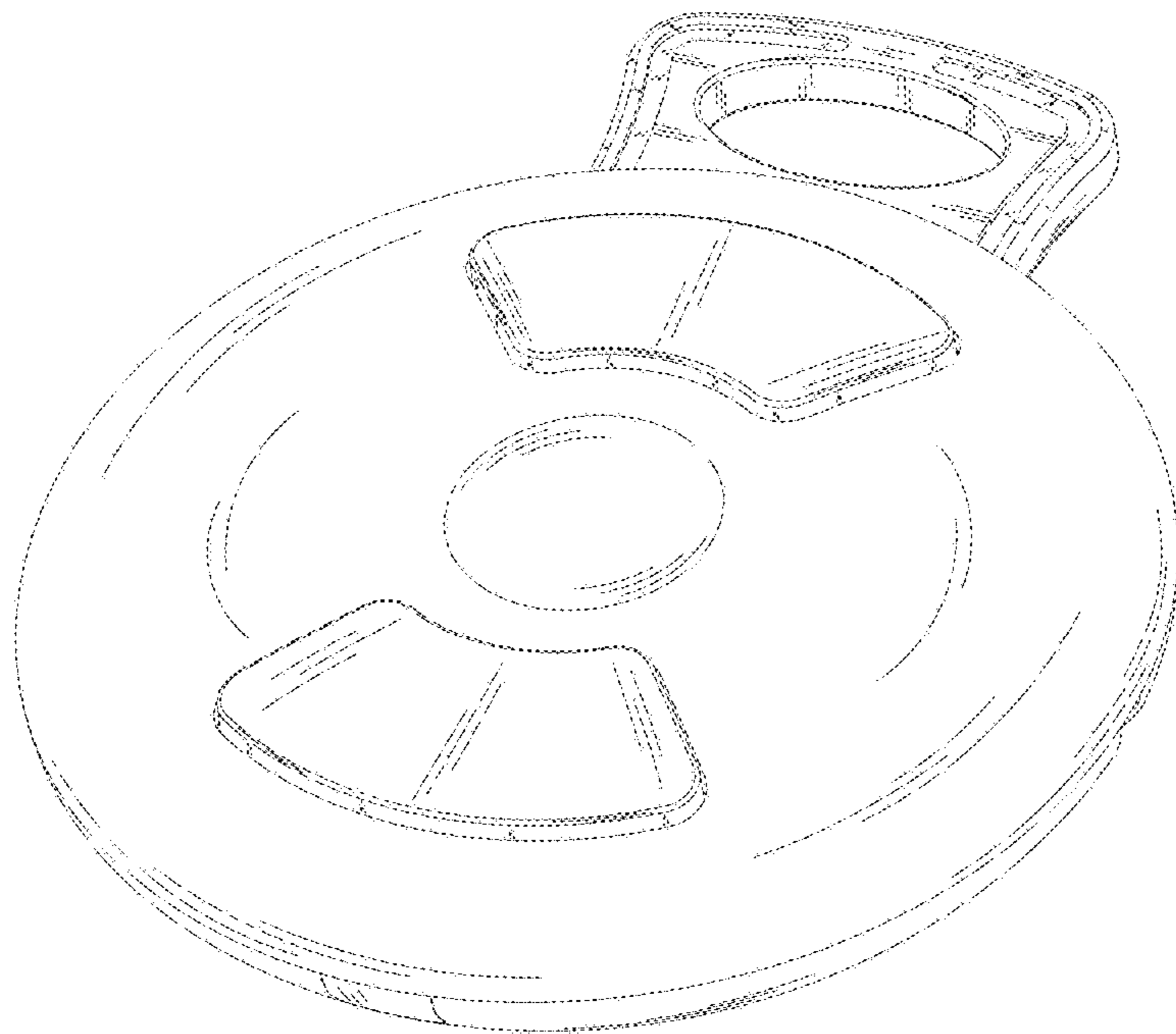


FIG. 1

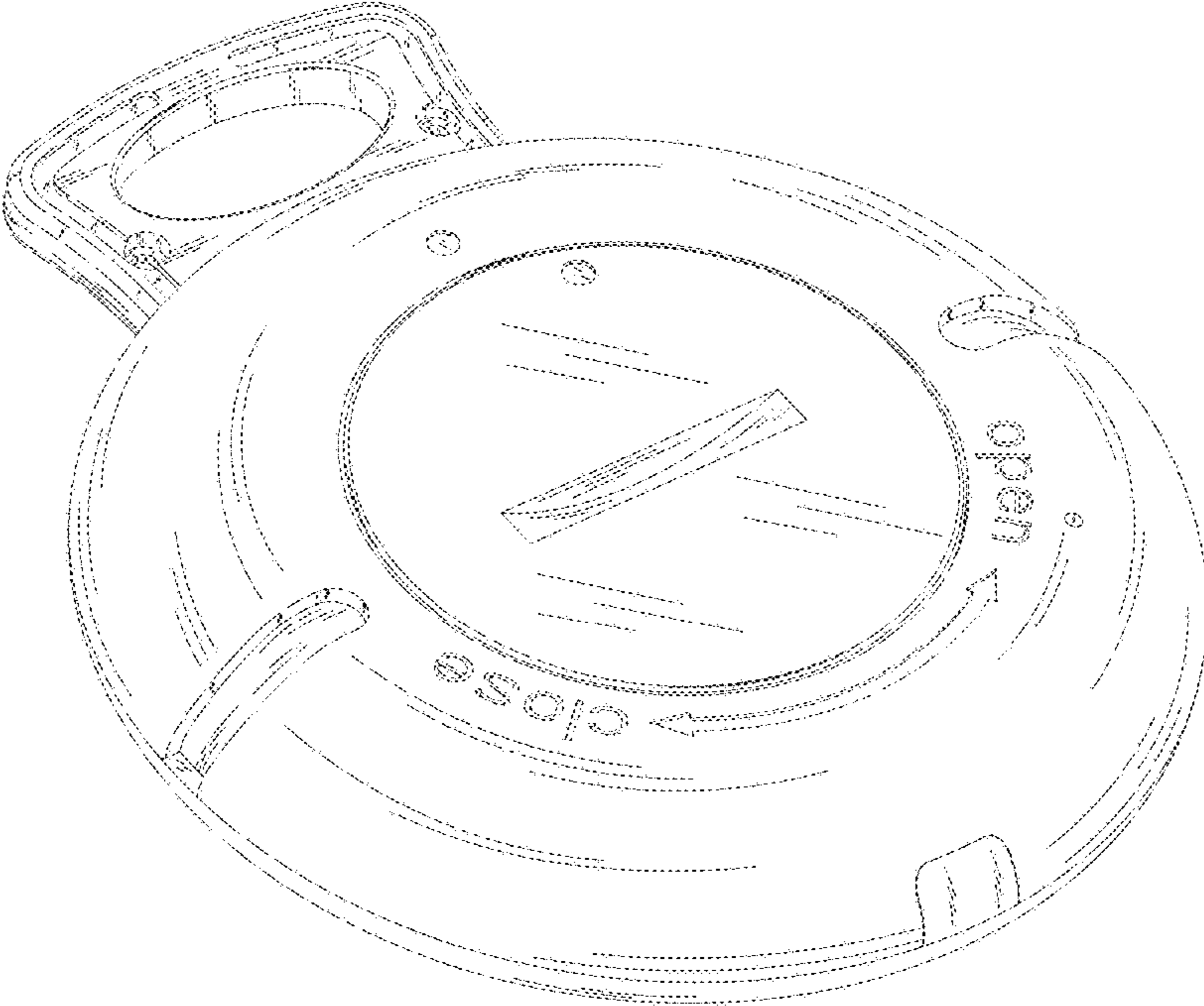


FIG. 2

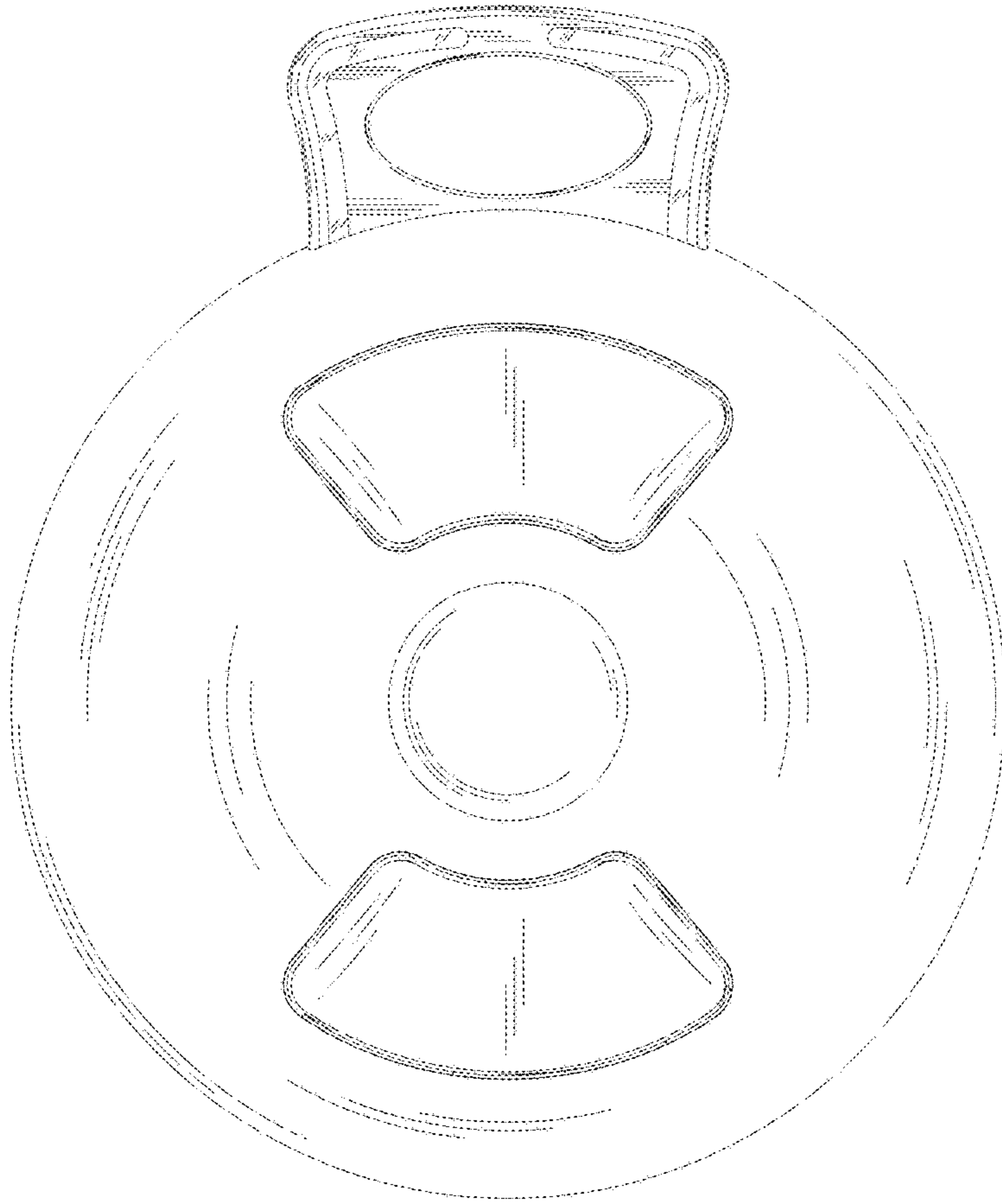


FIG. 3

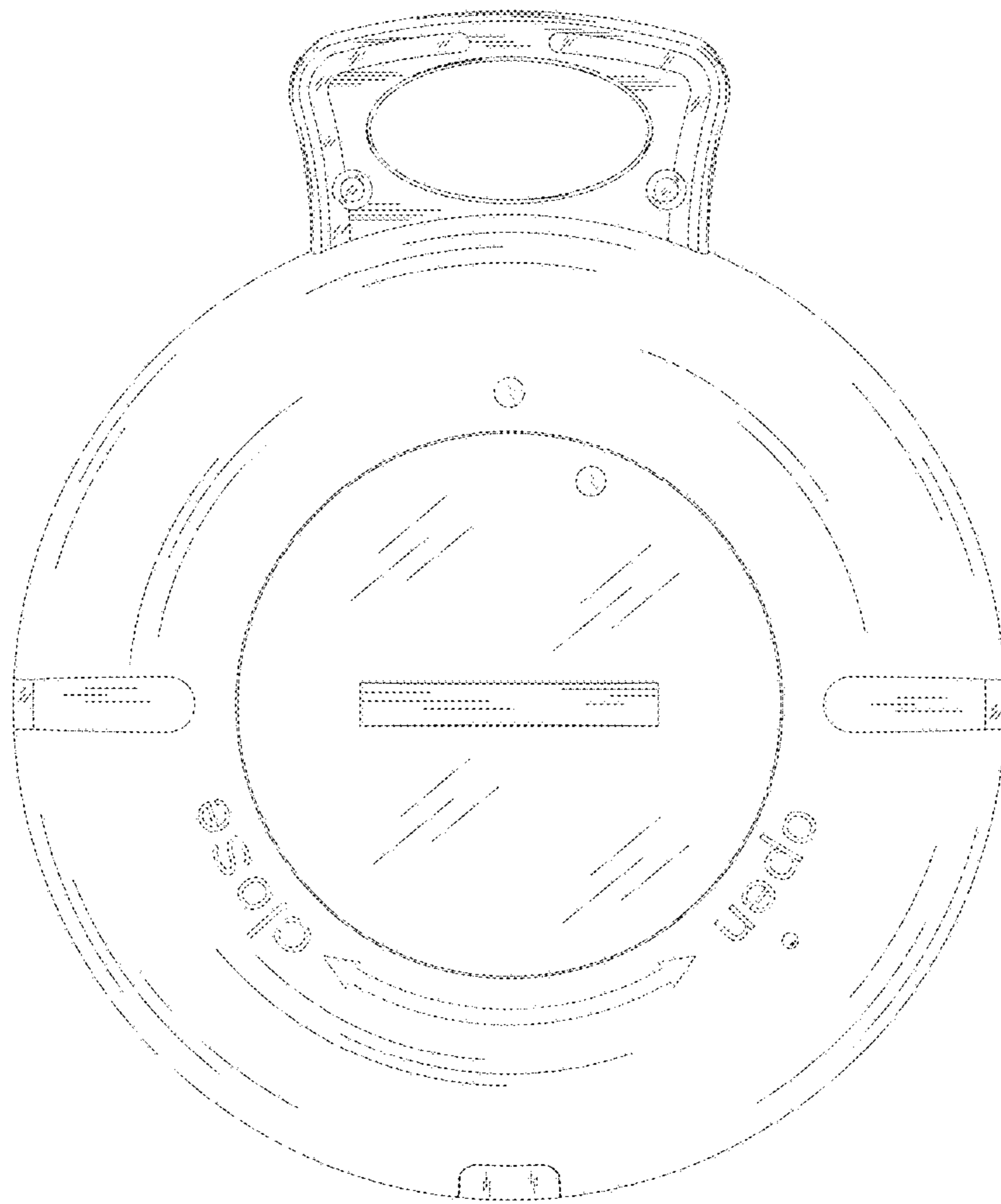


FIG. 4

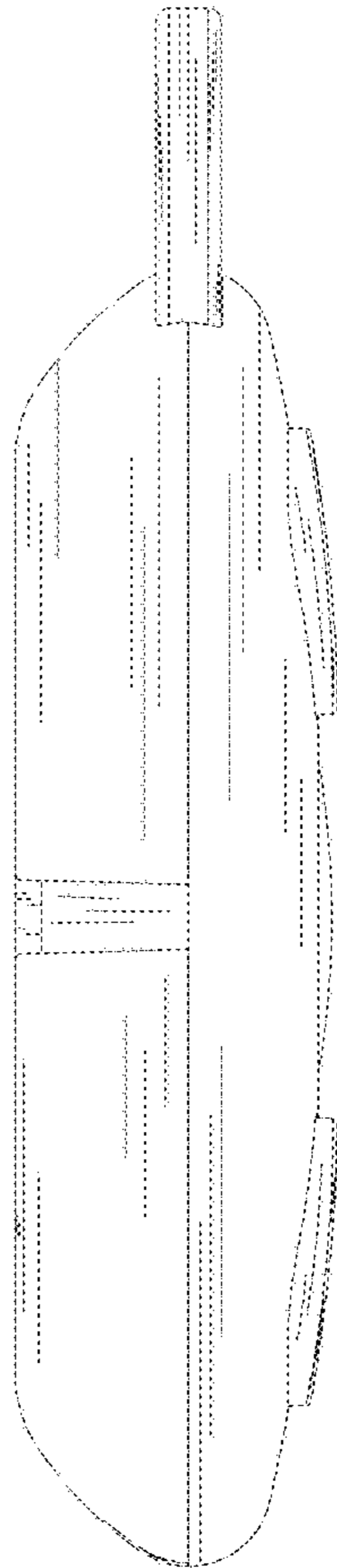


FIG. 5

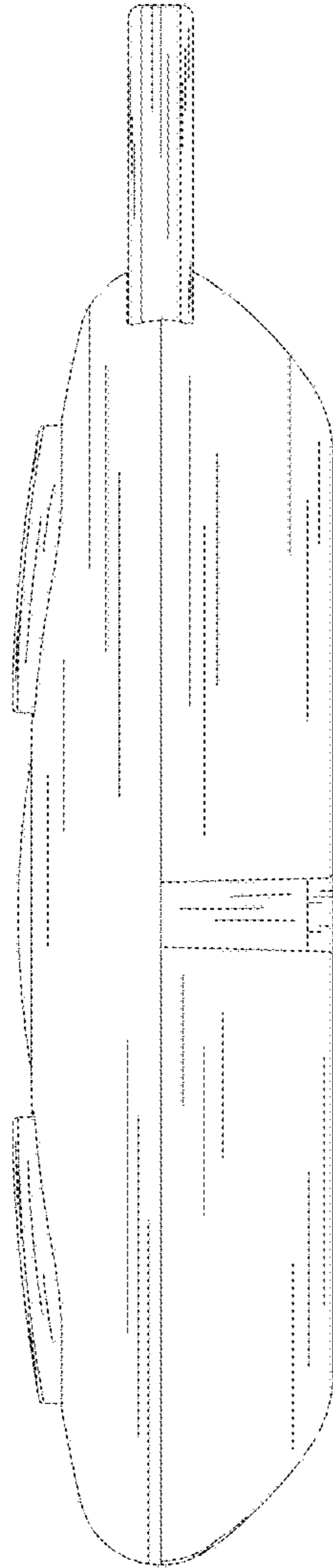


FIG. 6

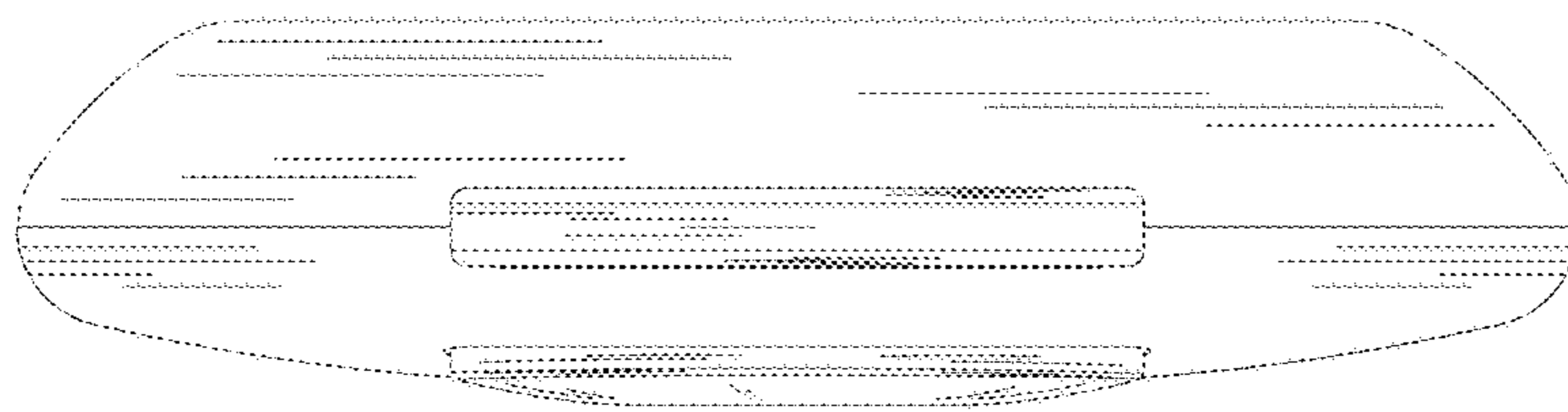


FIG. 7

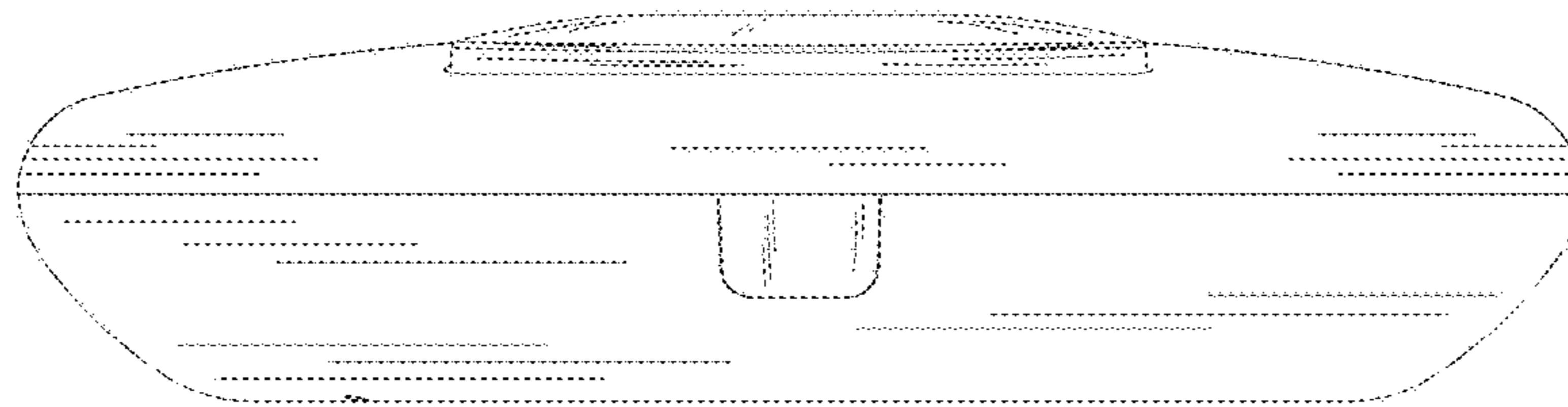


FIG. 8