



US00D840360S

(12) **United States Design Patent**
Scott

(10) **Patent No.:** **US D840,360 S**

(45) **Date of Patent:** **** Feb. 12, 2019**

(54) **HAND CONTROLLER FOR CONTROLLING SURGICAL ROBOT**

(71) Applicant: **CMR SURGICAL LIMITED,**
Cambridge (GB)

(72) Inventor: **Roy Scott,** Cambridge (GB)

(73) Assignee: **CMR Surgical Limited,** Cambridge (GB)

(**) Term: **15 Years**

(21) Appl. No.: **29/627,995**

(22) Filed: **Nov. 30, 2017**

(30) **Foreign Application Priority Data**

May 30, 2017 (GB) 6013080

(51) **LOC (11) Cl.** **14-03**

(52) **U.S. Cl.**
USPC **D13/168**

(58) **Field of Classification Search**
USPC D13/168; D14/205, 218, 412, 413;
D21/333; D24/133, 145
CPC A61B 34/20; A61B 34/25; A61B 34/30;
A61B 34/70; A61B 34/74; G08C 17/00;
G08C 17/02; G08C 19/00; G08C 19/12;
G08C 19/28; G08C 23/02; G08C 23/04;
G05G 9/047; G06F 3/165

See application file for complete search history.

(56) **References Cited**

U.S. PATENT DOCUMENTS

D556,201 S * 11/2007 Ashida D14/412
9,069,396 B2 * 6/2015 Adler G06F 3/038
D776,091 S * 1/2017 Spio D14/218

D790,483 S * 6/2017 Yoon D13/168
D796,454 S * 9/2017 Zheng D13/168
D813,203 S * 3/2018 Hardi D14/218
2015/0173837 A1 * 6/2015 Barnett A61B 34/70
606/130
2015/0374446 A1 * 12/2015 Malackowski A61B 34/32
606/130
2017/0042625 A1 * 2/2017 Sartor B25J 13/02
2017/0086933 A1 * 3/2017 Ogawa A61B 17/00

* cited by examiner

Primary Examiner — Selina Sikder

(74) *Attorney, Agent, or Firm* — Mintz Levin Cohn Ferris Glovsky and Popeo, P.C.

(57) **CLAIM**

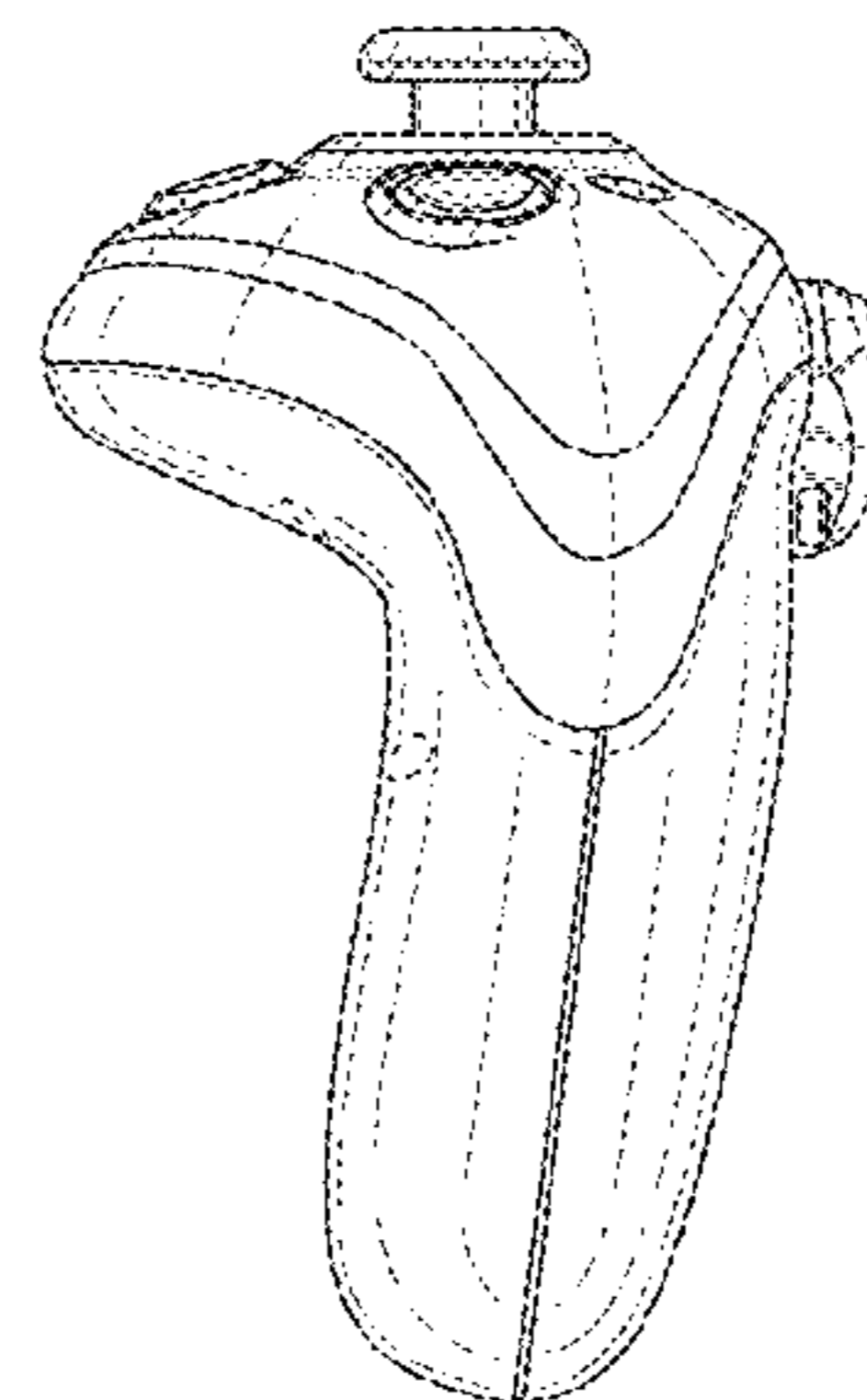
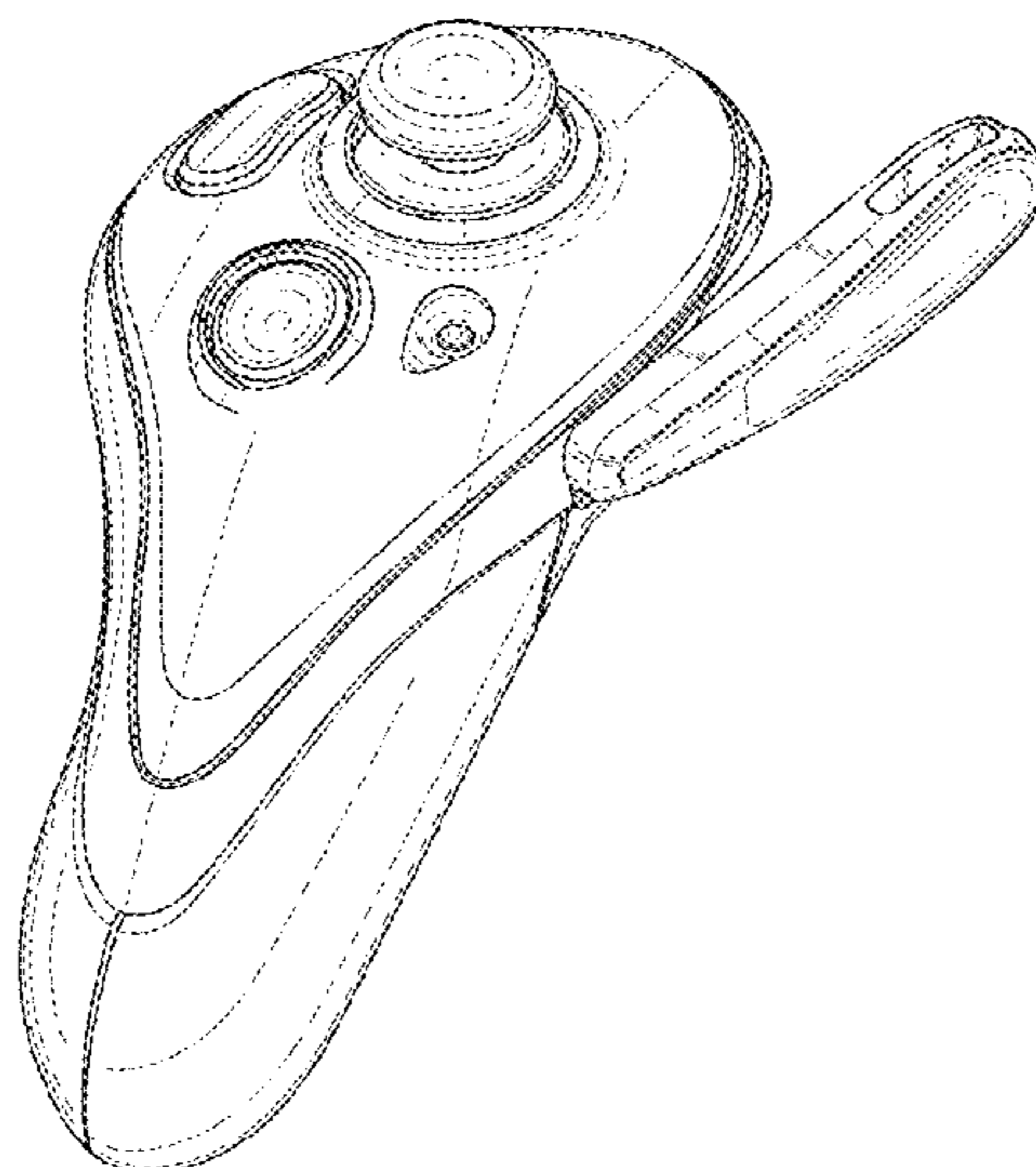
The ornamental design for a hand controller for controlling a surgical robot, as shown and described.

DESCRIPTION

FIG. 1 is a top, right-side, front perspective view of a hand controller for controlling a surgical robot;
FIG. 2 is a back elevation view of the hand controller of FIG. 1;
FIG. 3 is a front elevation view of the hand controller of FIG. 1;
FIG. 4 is left-side elevation view of the hand controller of FIG. 1;
FIG. 5 is a right-side elevation view of the hand controller of FIG. 1;
FIG. 6 is a top plan view of the hand controller of FIG. 1; and,
FIG. 7 is a bottom plan view of the hand controller of FIG. 1.

The broken lines shown in the drawings are for illustrative purposes only forms no part of the claimed design.

1 Claim, 7 Drawing Sheets



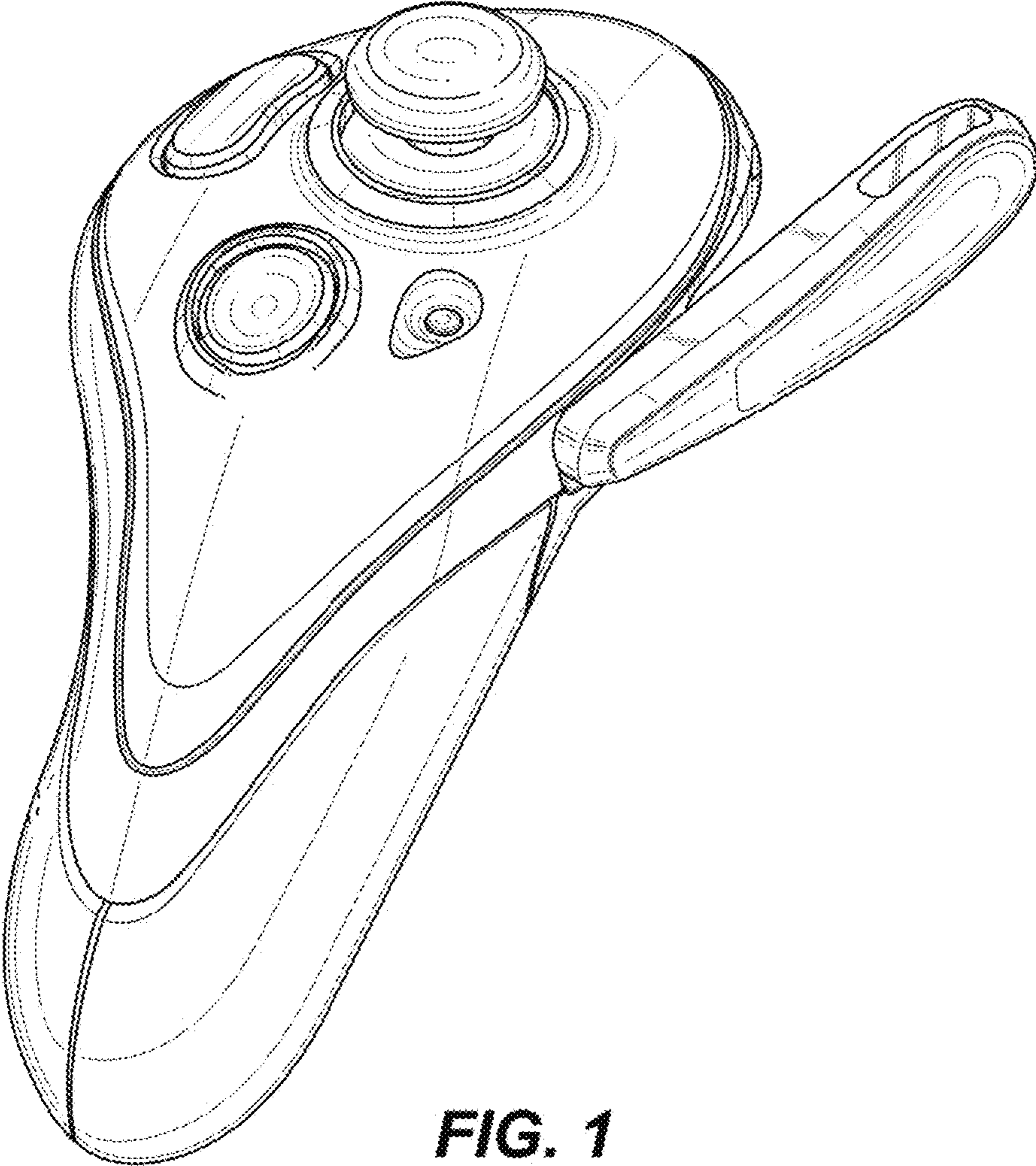


FIG. 1

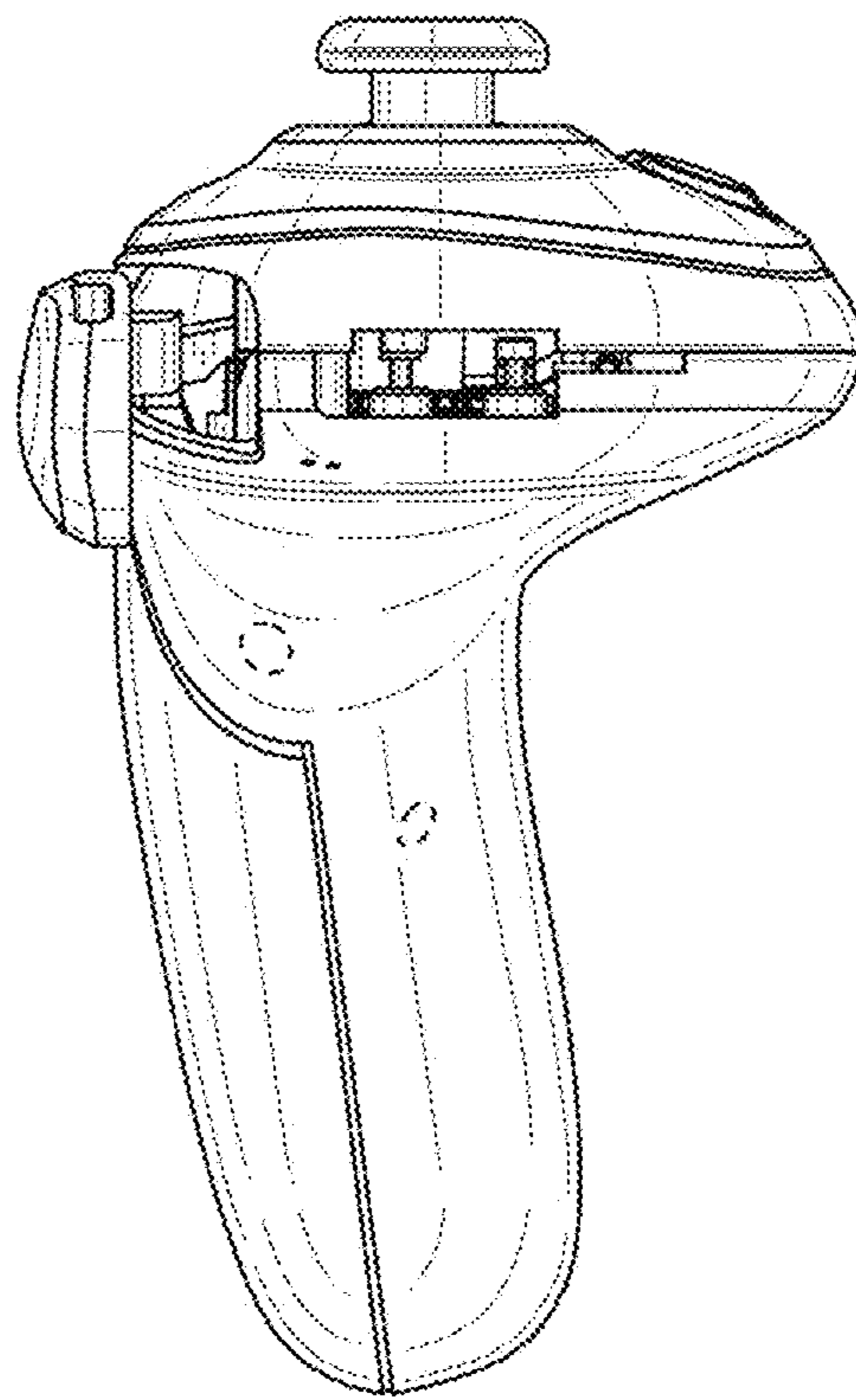


FIG. 2

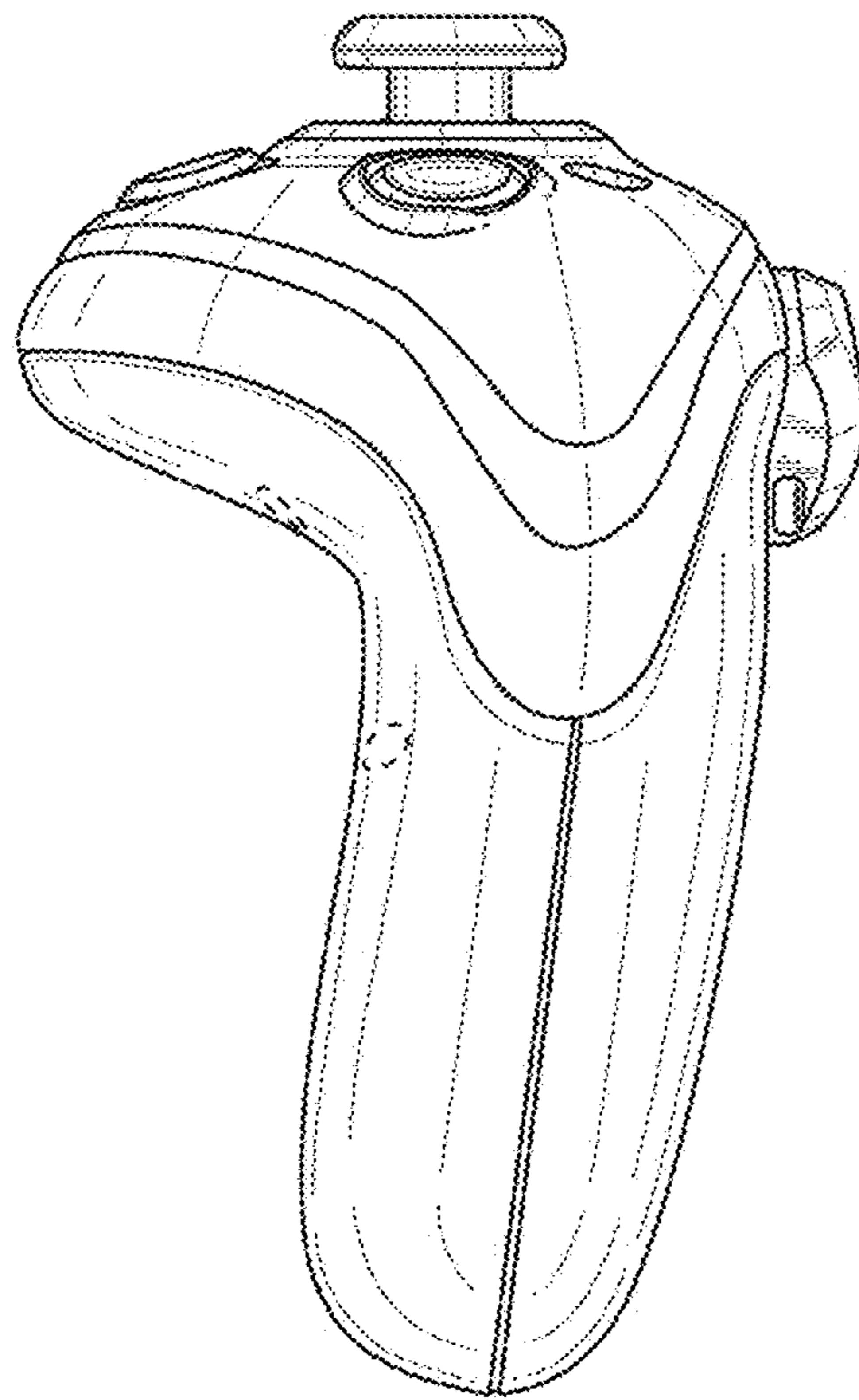


FIG. 3

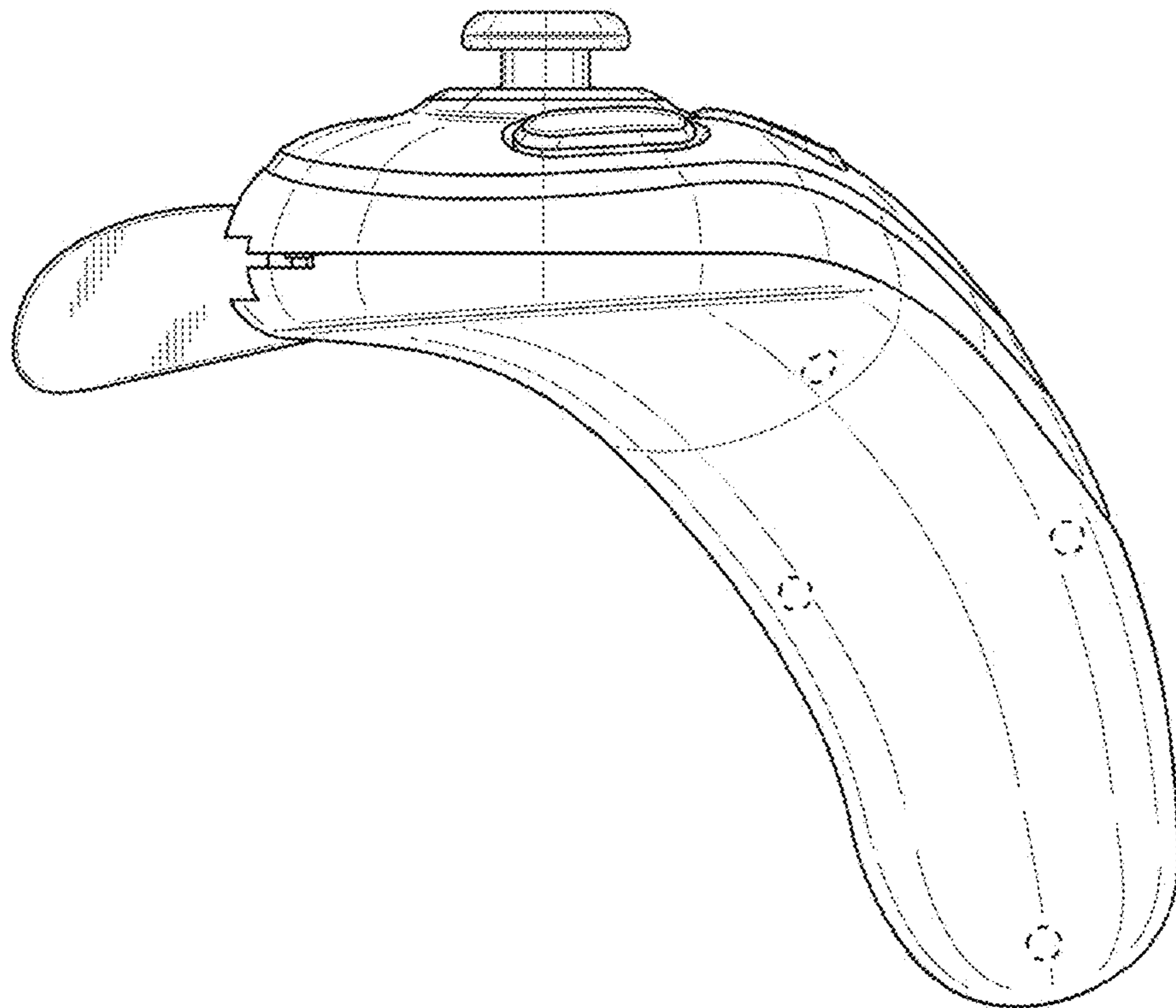


FIG. 4

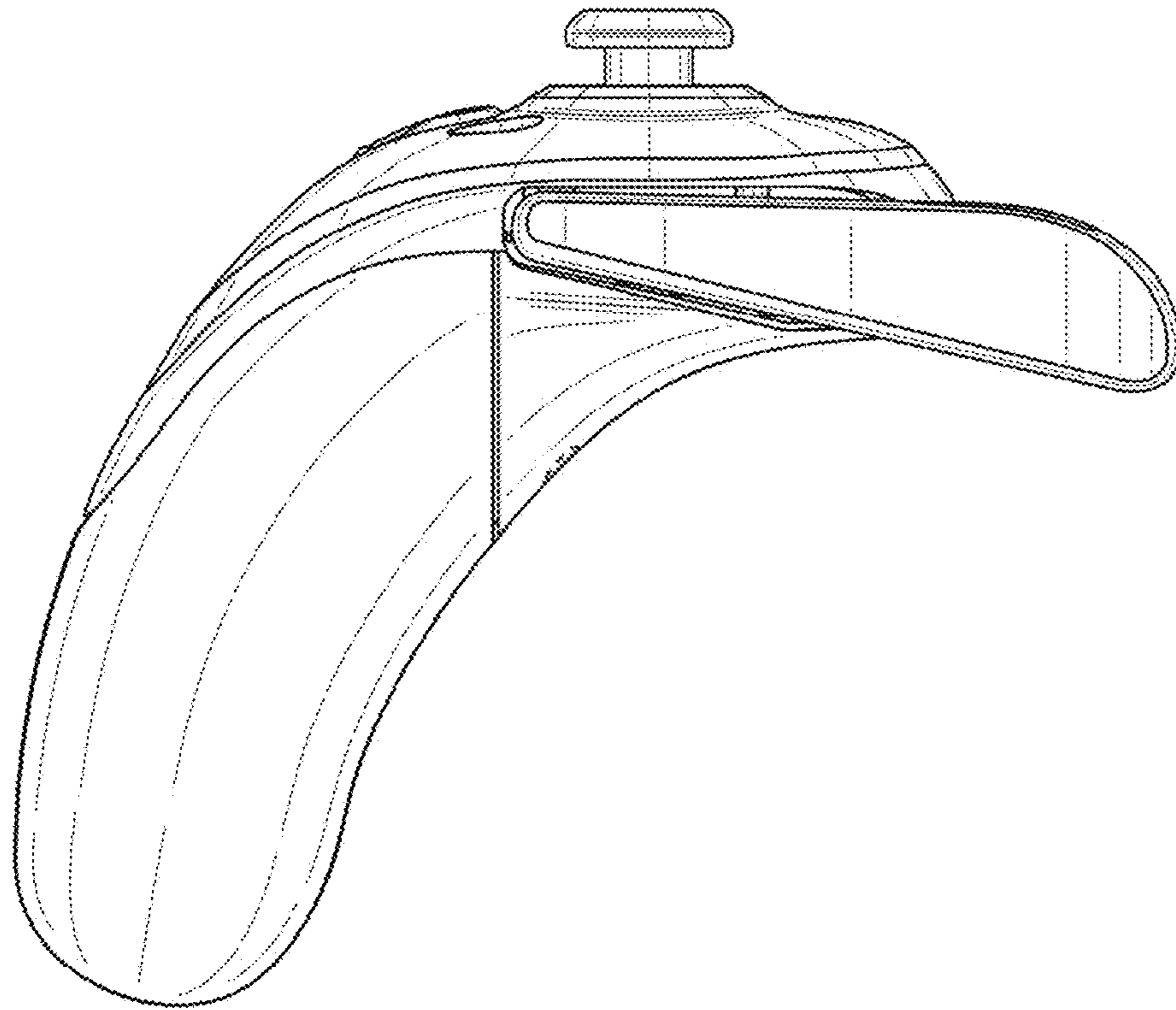


FIG. 5

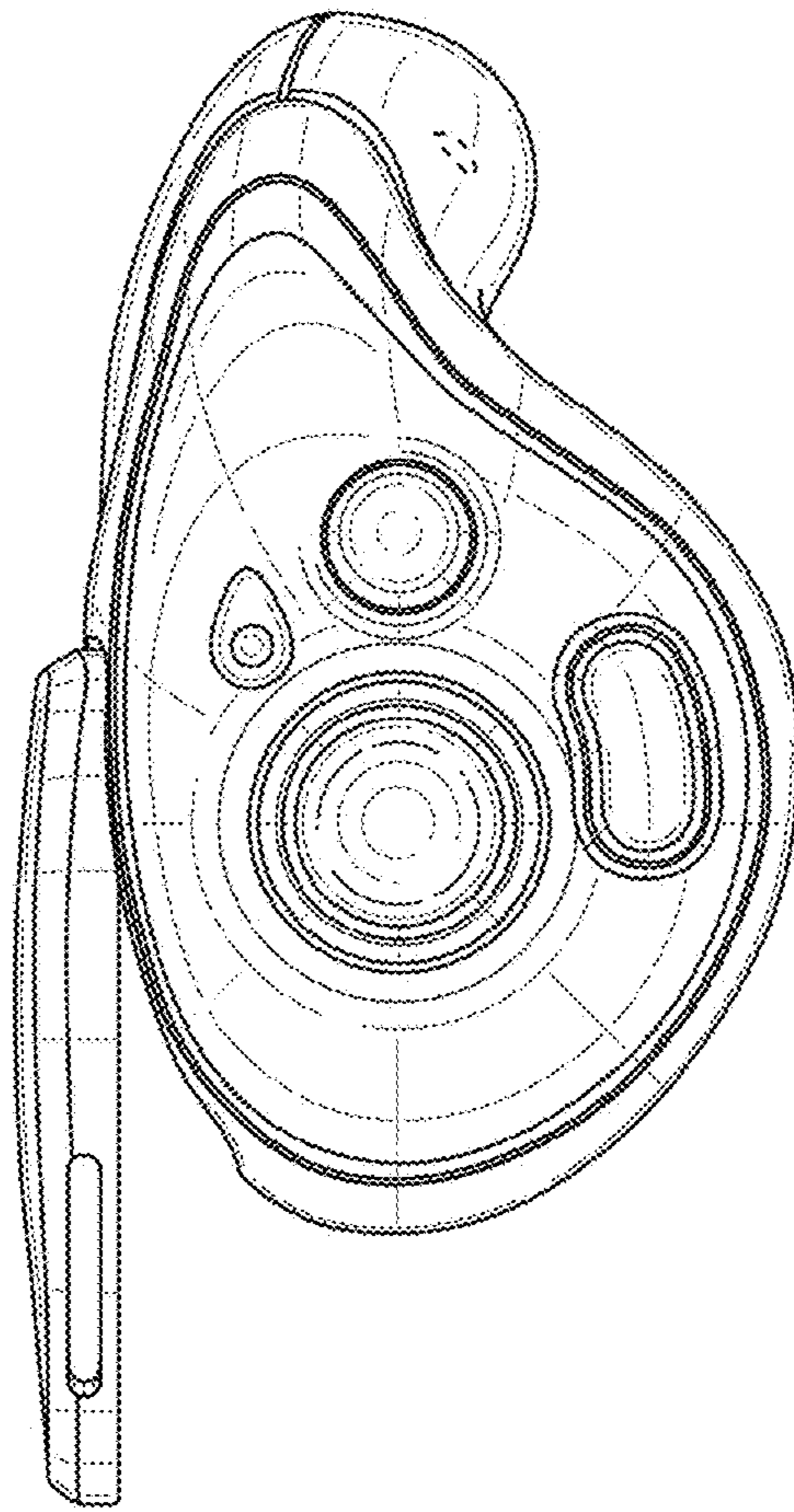


FIG. 6

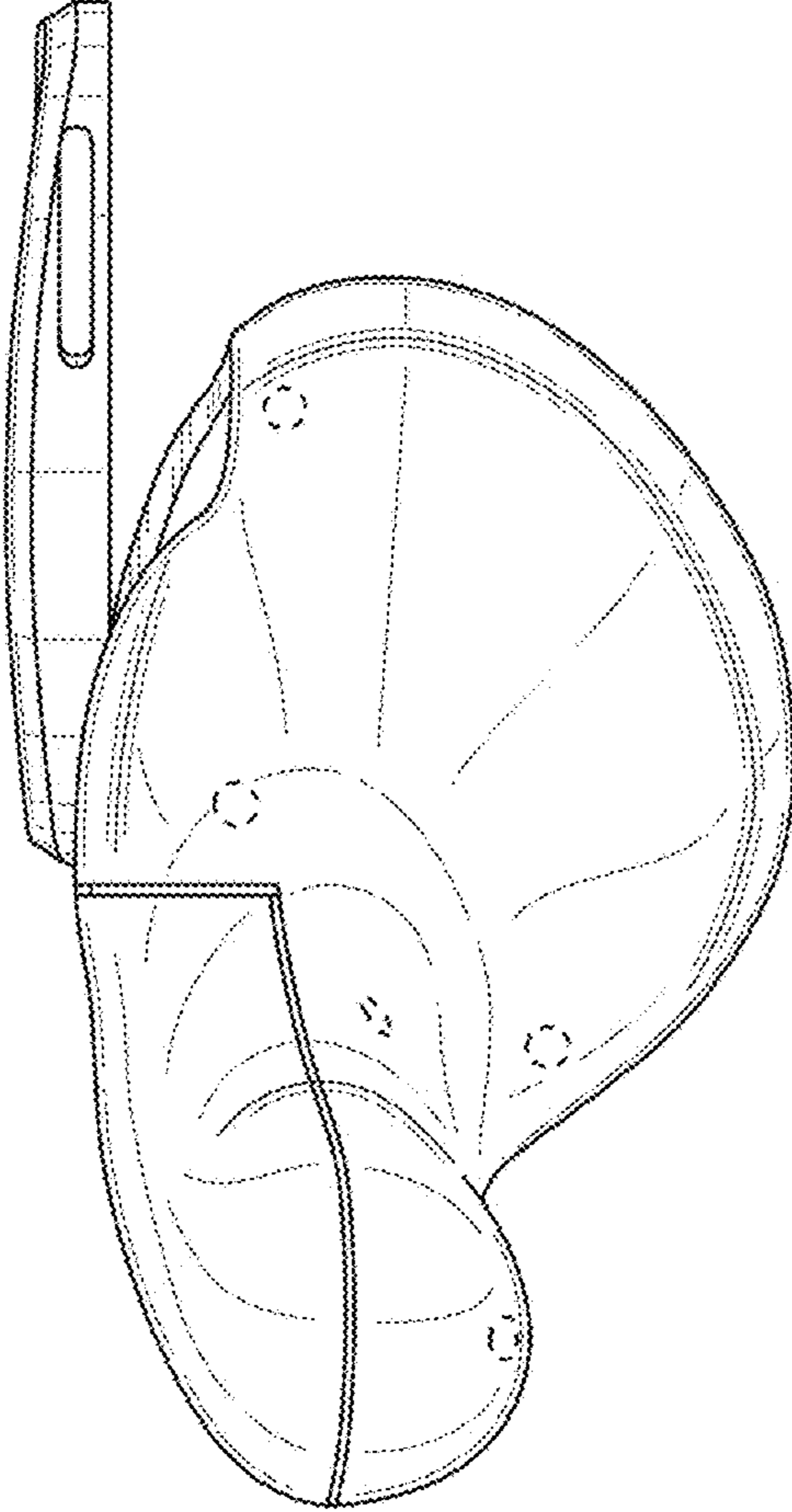


FIG. 7