



US00D840359S

(12) **United States Design Patent**
Anjum

(10) **Patent No.:** **US D840,359 S**

(45) **Date of Patent:** **** Feb. 12, 2019**

- (54) **DIMMER**
- (71) Applicant: **Sohail Anjum**, Flemington, NJ (US)
- (72) Inventor: **Sohail Anjum**, Flemington, NJ (US)
- (73) Assignee: **WBM INTERNATIONAL LLC**,
Flemington, NJ (US)
- (**) Term: **15 Years**
- (21) Appl. No.: **29/621,625**
- (22) Filed: **Oct. 10, 2017**
- (51) **LOC (11) Cl.** **14-03**
- (52) **U.S. Cl.**
USPC **D13/168**
- (58) **Field of Classification Search**
USPC D13/168; D14/218
CPC H03J 1/0025; H01H 9/0235; H04B 1/202;
G08C 17/00; G08C 17/02; G08C 19/00;
G08C 19/28; G08C 23/04; H05B
37/0263; H05B 37/0227; H05B 37/0245;
H05B 37/0272; H05B 39/09
See application file for complete search history.

(56) **References Cited**
U.S. PATENT DOCUMENTS

D375,909 S *	11/1996	Dziersk	D10/106.1
D495,665 S *	9/2004	Stekelenburg	D13/168
D533,513 S *	12/2006	Marchetto	D13/168
D534,501 S *	1/2007	Yao	D13/168
D602,916 S *	10/2009	Won	D14/218

7,798,682 B1 *	9/2010	Cvek	F21S 2/00 362/257
D667,381 S *	9/2012	Rolli	D13/168
8,362,713 B2 *	1/2013	Recker	H05B 33/0803 307/44
8,653,702 B2 *	2/2014	Saleh	A61B 1/24 307/116
9,351,380 B2 *	5/2016	Kang	H05B 37/0272
D804,561 S *	12/2017	Luo	D16/202
2005/0243549 A1 *	11/2005	Ruston	F21S 2/00 362/233
2006/0176689 A1 *	8/2006	Dowdy	F21S 9/02 362/188

* cited by examiner

Primary Examiner — Selina Sikder

(74) *Attorney, Agent, or Firm* — Drinker Biddle & Reath LLP

(57) **CLAIM**

The ornamental design for a dimmer, as shown and described.

DESCRIPTION

FIG. 1 is a top right isometric view of a dimmer according to the present invention.

FIG. 2 is a top view of the dimmer of FIG. 1.

FIG. 3 is a bottom view of the dimmer of FIG. 1.

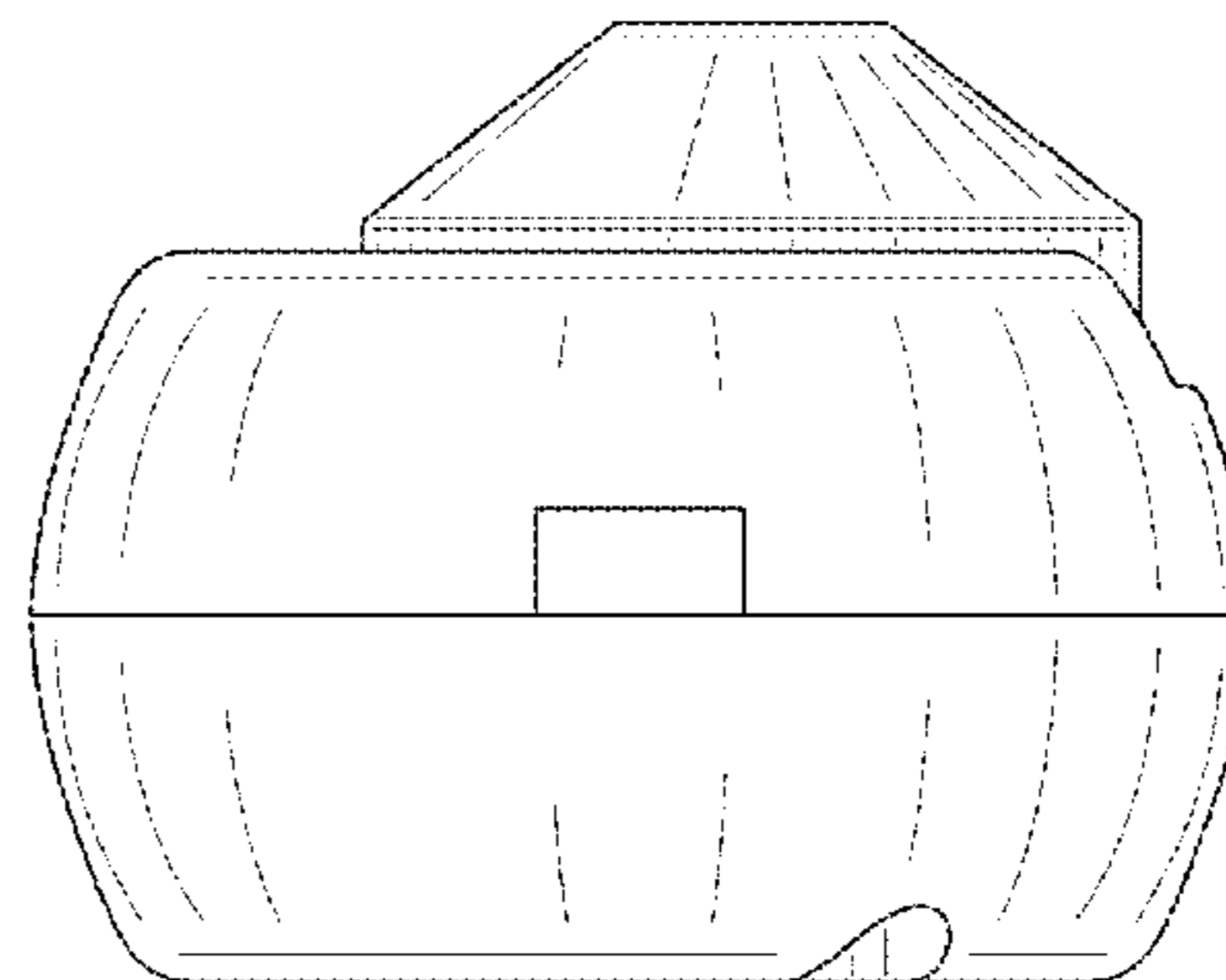
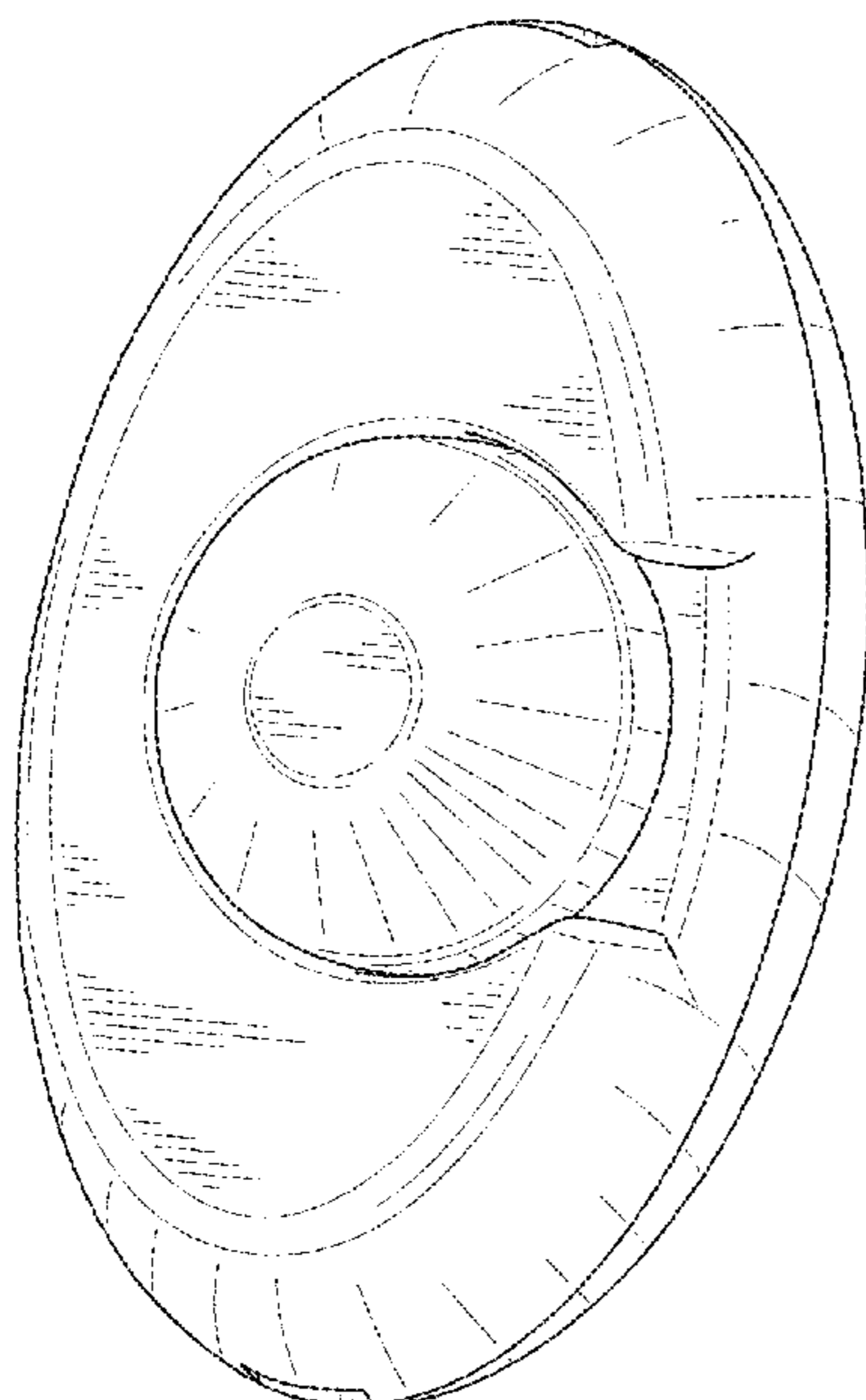
FIG. 4 is a rear view of the dimmer of FIG. 1.

FIG. 5 is a front view of the dimmer of FIG. 1.

FIG. 6 is a left side view of the dimmer of FIG. 1; and,

FIG. 7 is a right side view of the dimmer of FIG. 1.

1 Claim, 4 Drawing Sheets



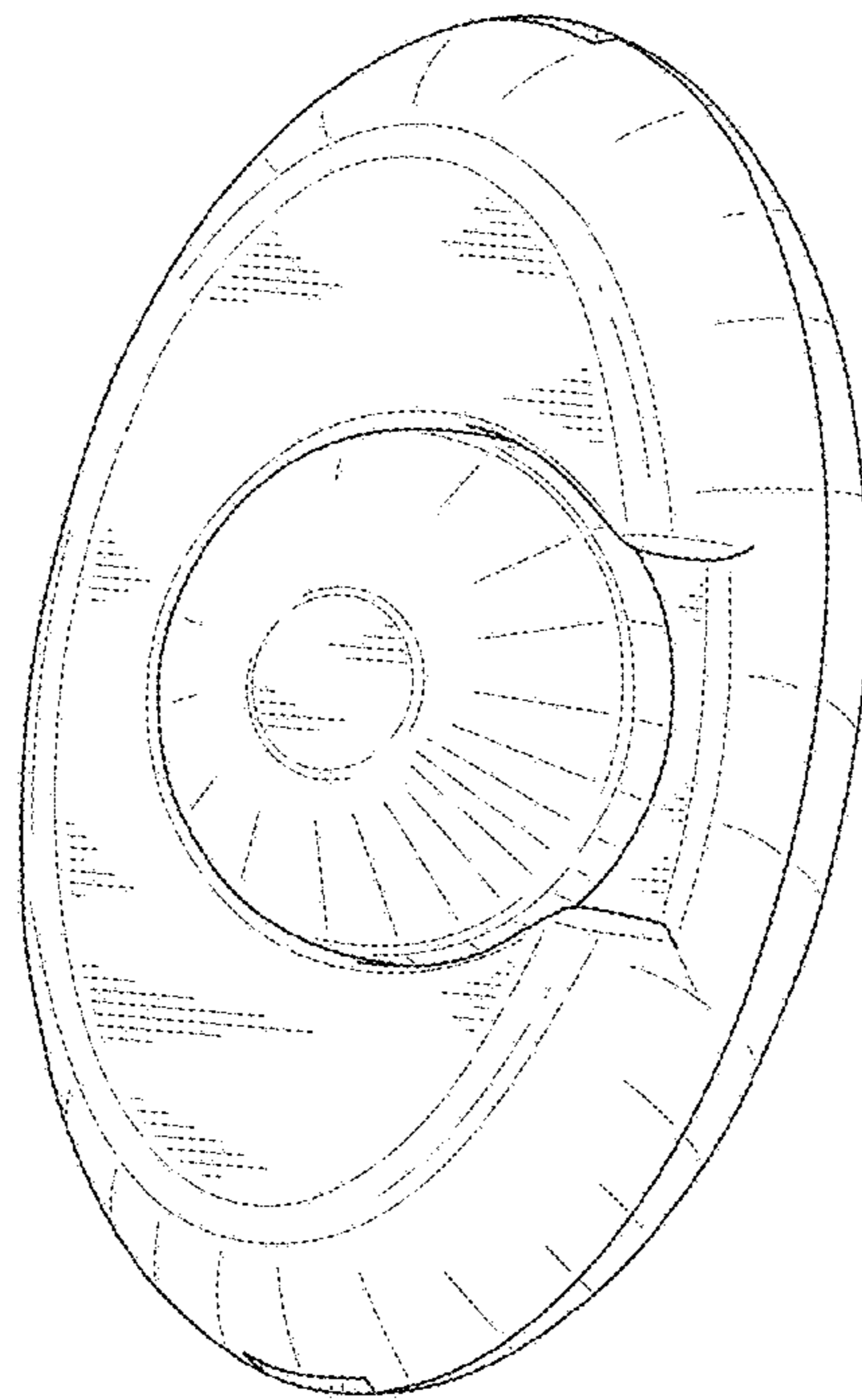


FIG. 1

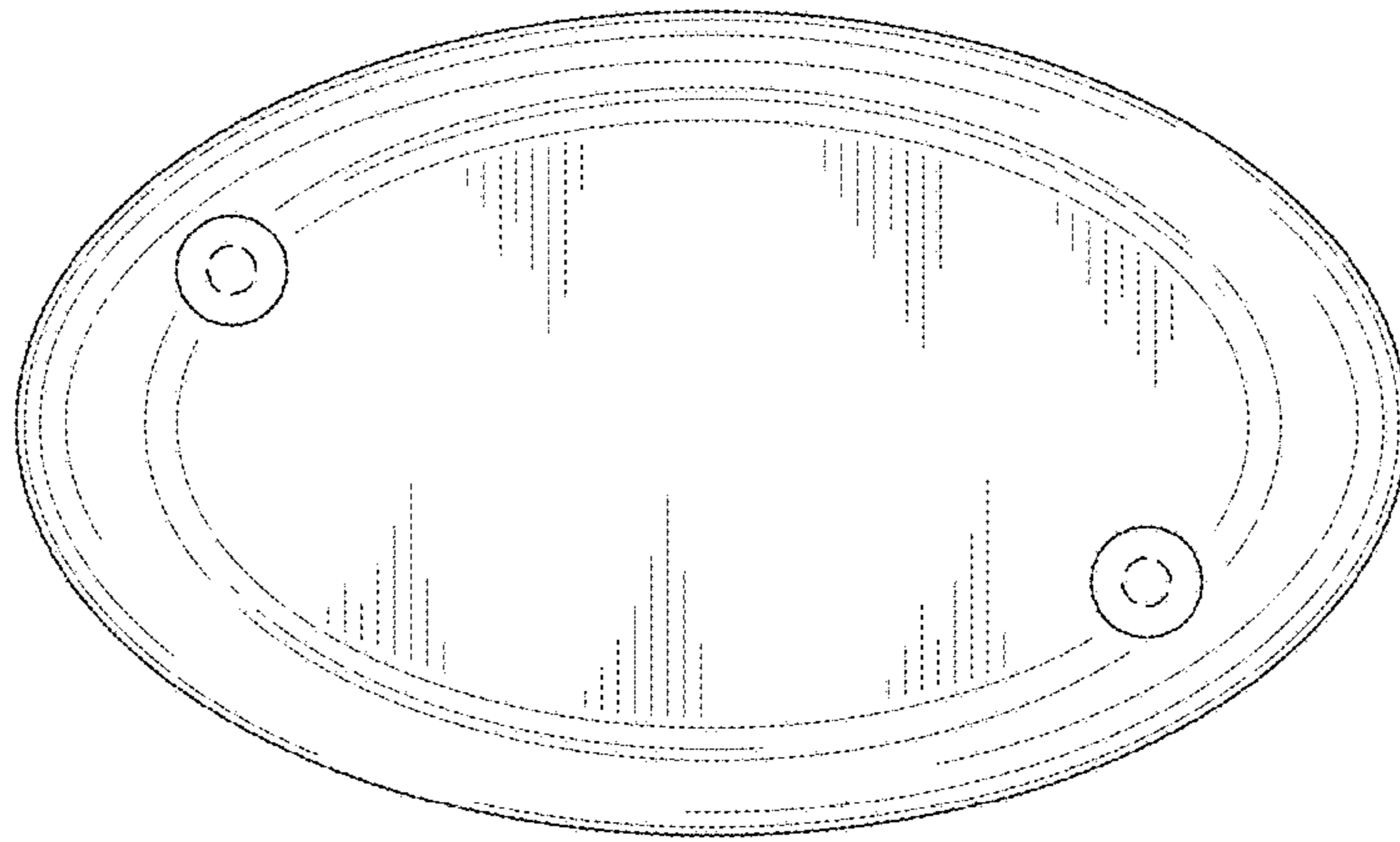


FIG. 3

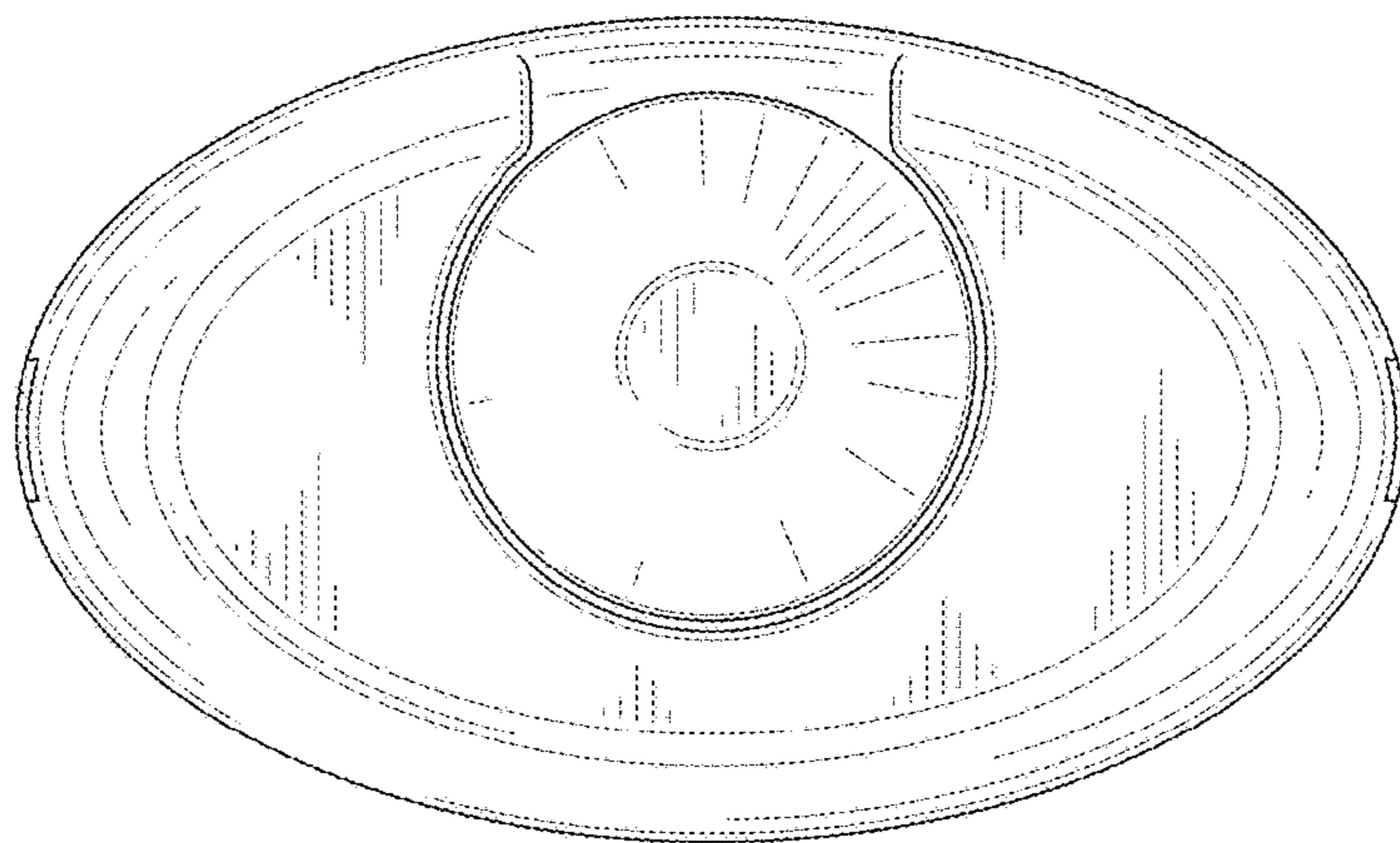


FIG. 2

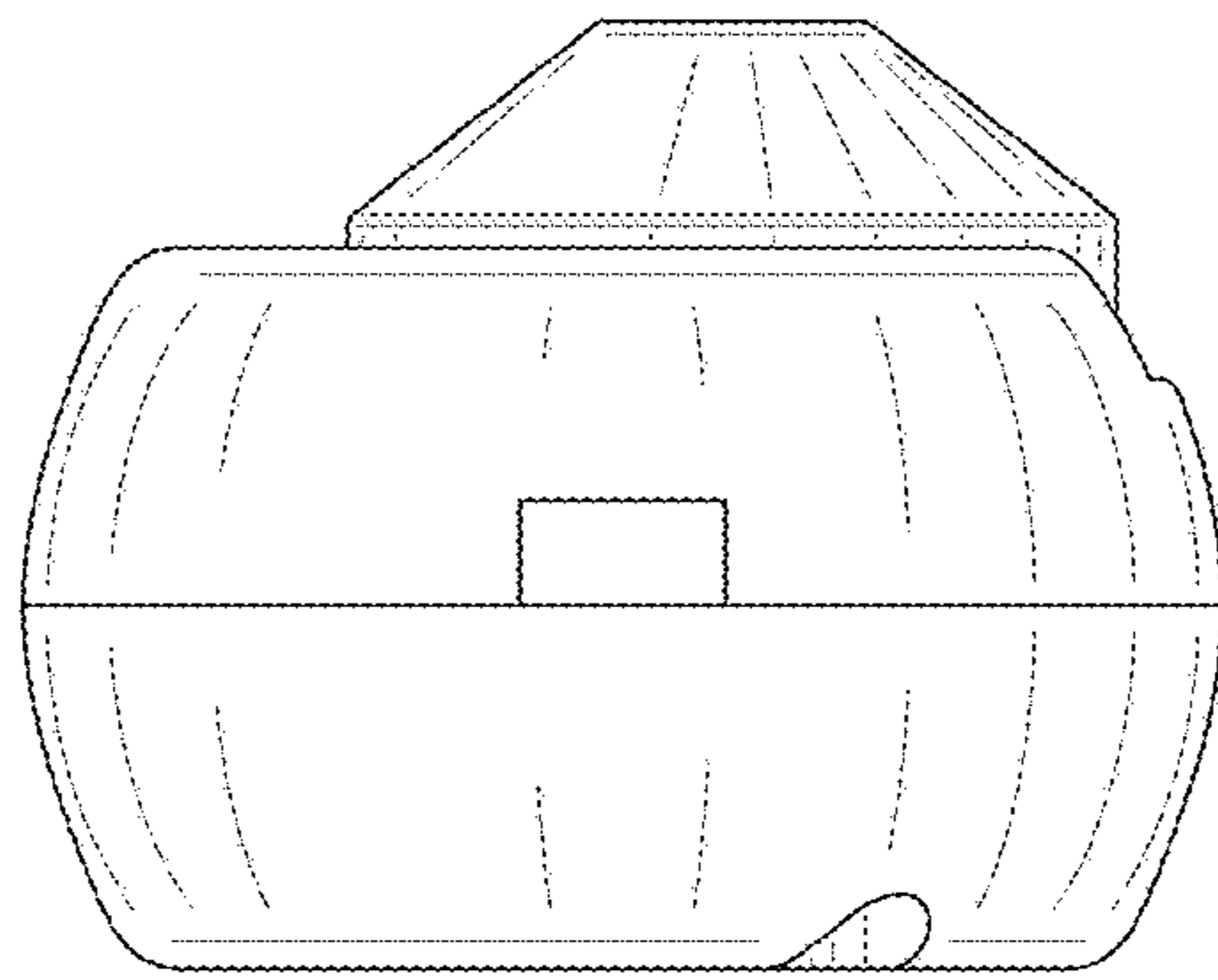


FIG. 4

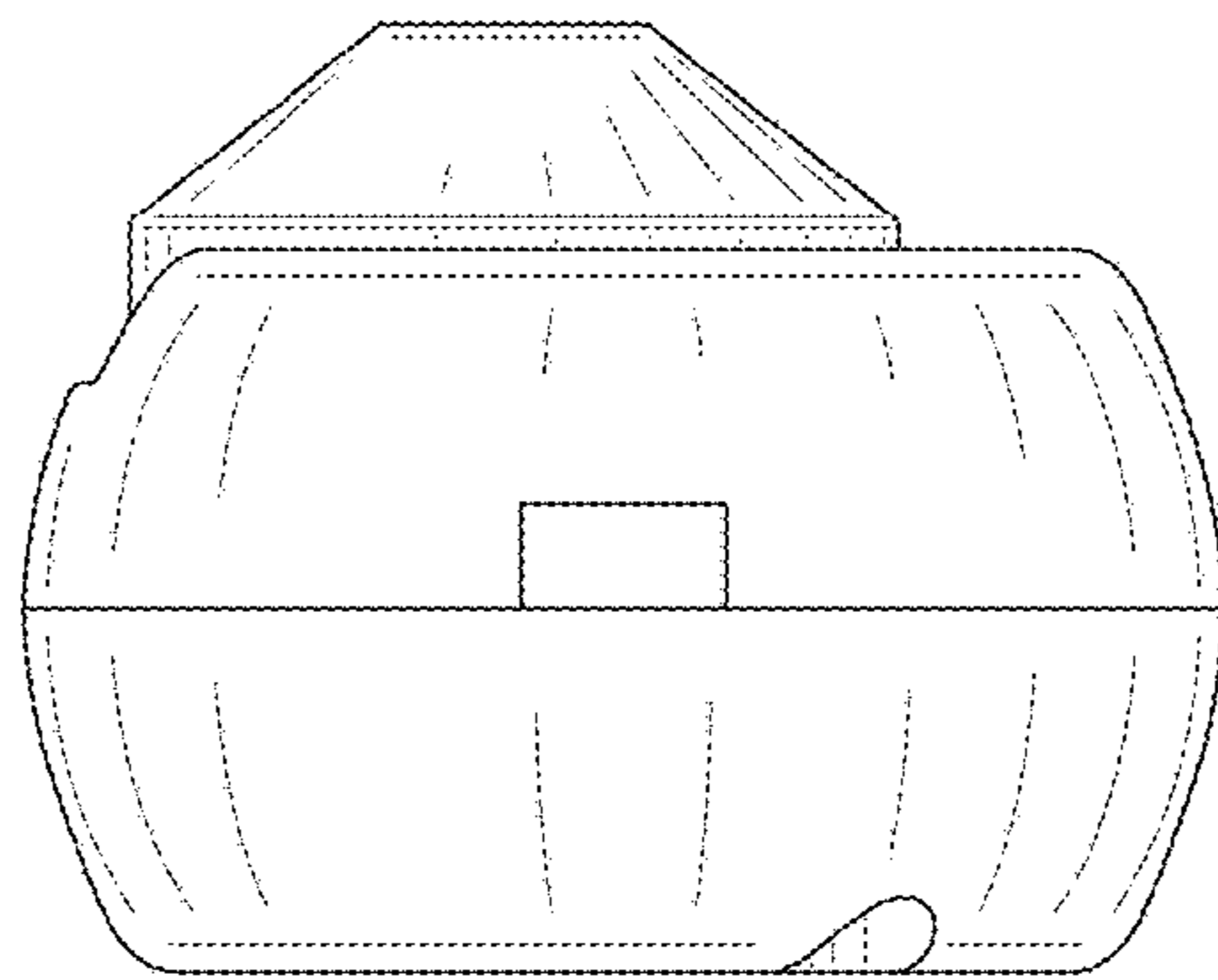


FIG. 5

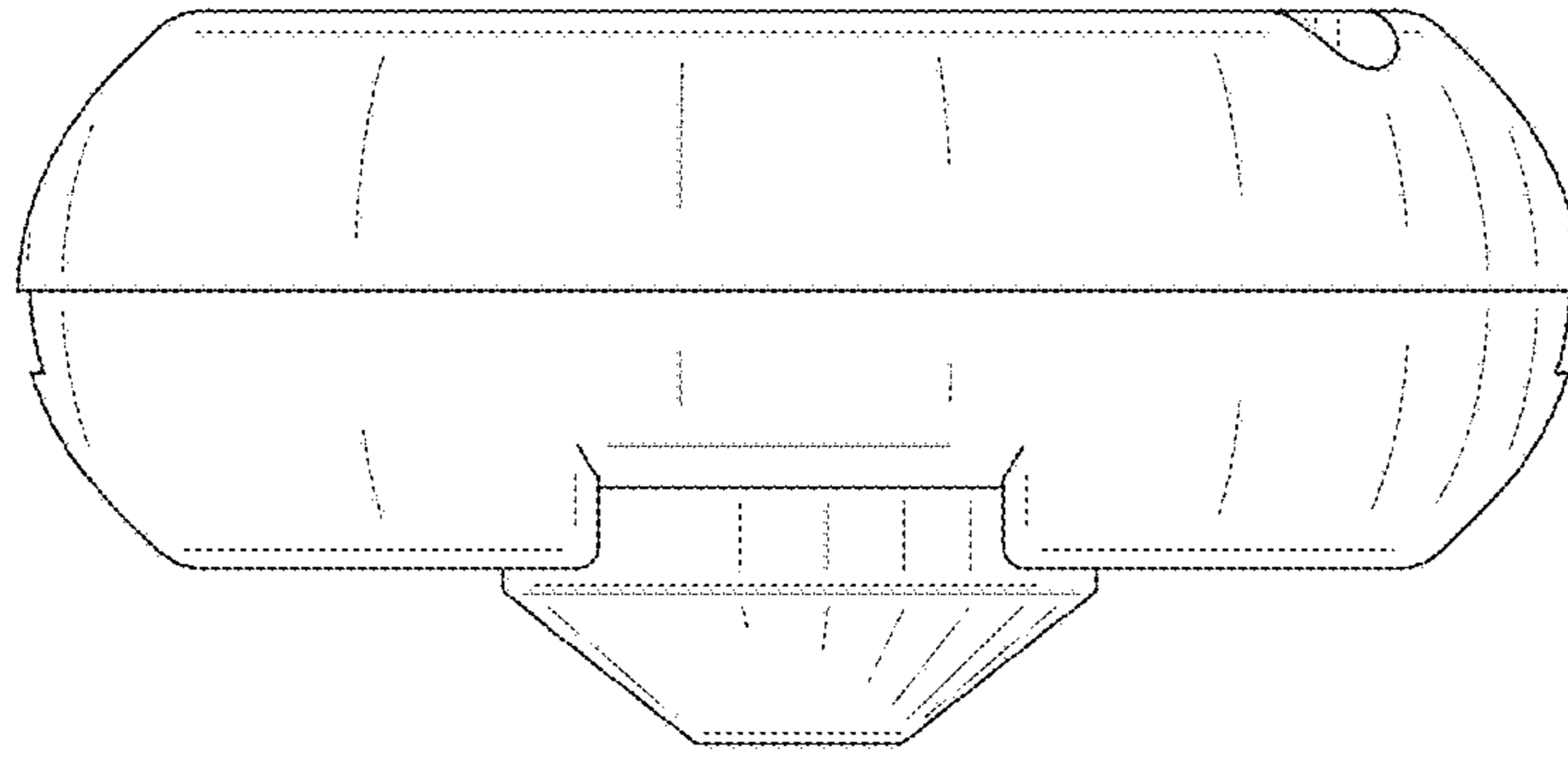


FIG. 7

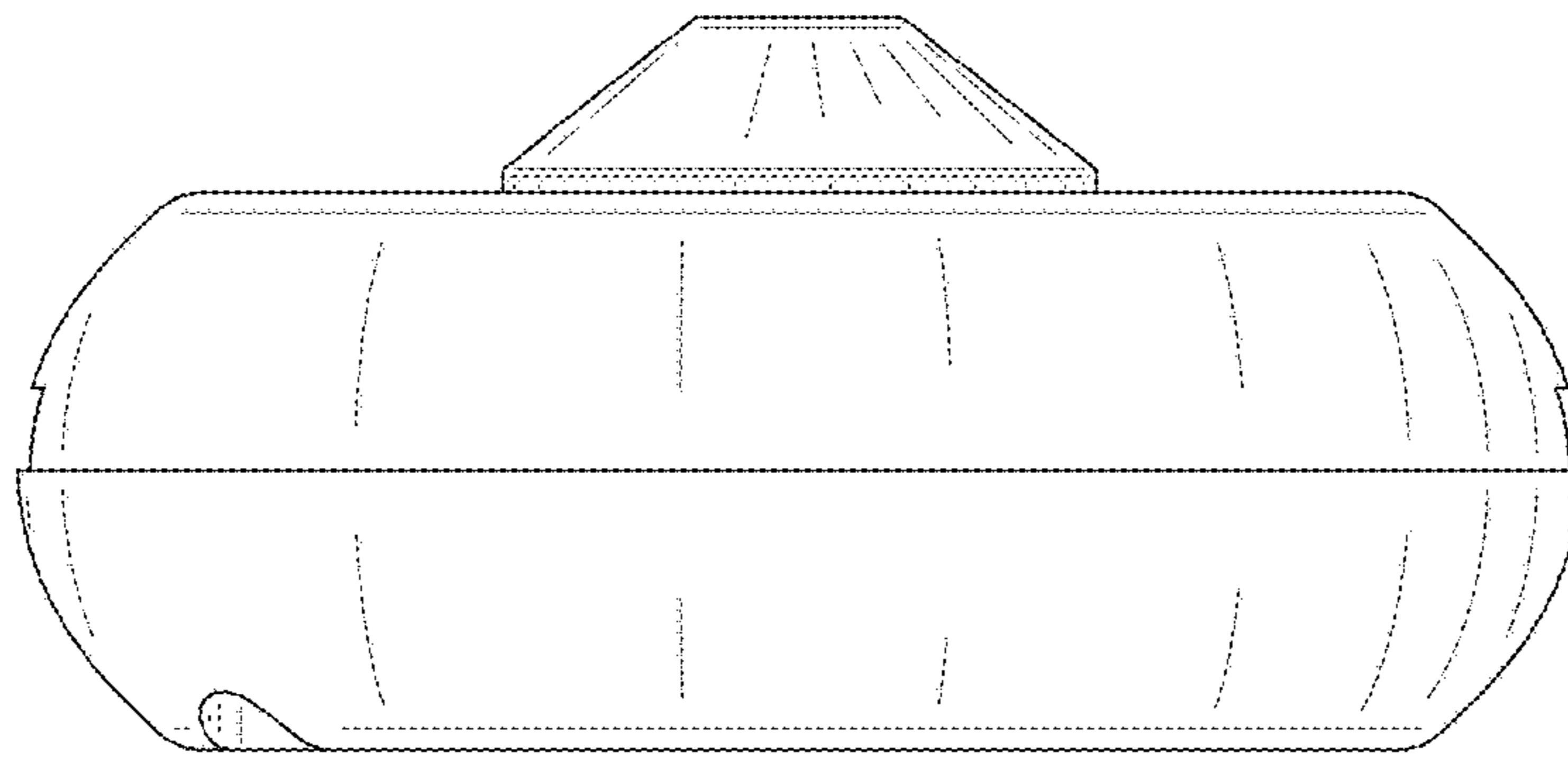


FIG. 6