



US00D840352S

(12) **United States Design Patent** (10) **Patent No.:** **US D840,352 S**
Garver (45) **Date of Patent:** **** Feb. 12, 2019**

- (54) **CABLE CONNECTOR**
- (71) Applicant: **GENERAL ELECTRIC COMPANY**,
Schenectady, NY (US)
- (72) Inventor: **Allen Garver**, Edinboro, PA (US)
- (73) Assignee: **General Electric Company**,
Schenectady, NY (US)
- (**) Term: **15 Years**
- (21) Appl. No.: **29/655,039**
- (22) Filed: **Jun. 29, 2018**

4,458,104 A *	7/1984	Penneck	B29C 61/0641
				156/49
D385,254 S *	10/1997	Owusu	D13/133
D409,728 S *	5/1999	Helmsderfer	D23/266
D462,751 S *	9/2002	Streetman	D23/234
D573,095 S *	7/2008	Poupore	D13/133
D589,882 S *	4/2009	Kok	D13/133
D596,125 S *	7/2009	Norin	D13/133
D599,446 S *	9/2009	Price	D23/262
D654,990 S *	2/2012	Coley	D23/266
D755,355 S *	5/2016	Knight	D23/262
D755,728 S *	5/2016	Smith	D13/155
D755,729 S *	5/2016	Smith	D13/155
D824,341 S *	7/2018	Garver	D13/153
D827,574 S *	9/2018	Kawakami	D13/133

* cited by examiner

Primary Examiner — Rosemary K Tarcza

Assistant Examiner — Christy M Nemeth

(74) *Attorney, Agent, or Firm* — McCoy Russell LLP

Related U.S. Application Data

- (62) Division of application No. 29/572,073, filed on Jul. 25, 2016, now Pat. No. Des. 824,341.
- (51) **LOC (11) Cl.** **13-03**
- (52) **U.S. Cl.**
USPC **D13/153; D13/133**
- (58) **Field of Classification Search**
USPC D13/152–156, 199, 133; D23/262, 266;
D24/112; D25/108, 121, 122, 124
CPC .. H05K 5/00; H05K 7/00; H02G 3/08; H02G
3/081; H02G 3/086; H02G 3/10; H02G
3/12; H02G 15/1806; H02G 15/24; H02G
15/00; H01R 12/00; H01R 13/58
See application file for complete search history.

(57) **CLAIM**

The ornamental design for a cable connector, as shown and described.

DESCRIPTION

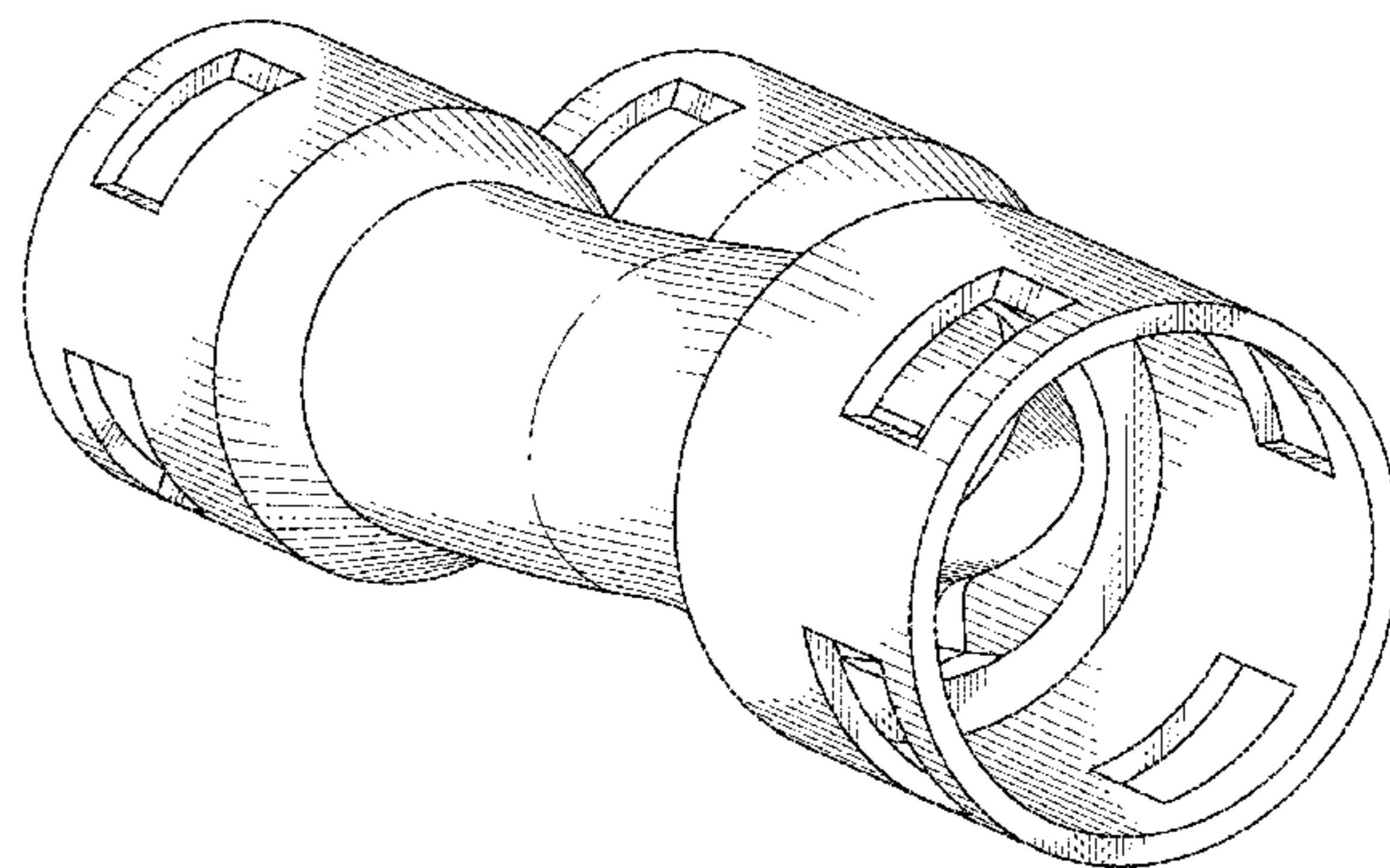
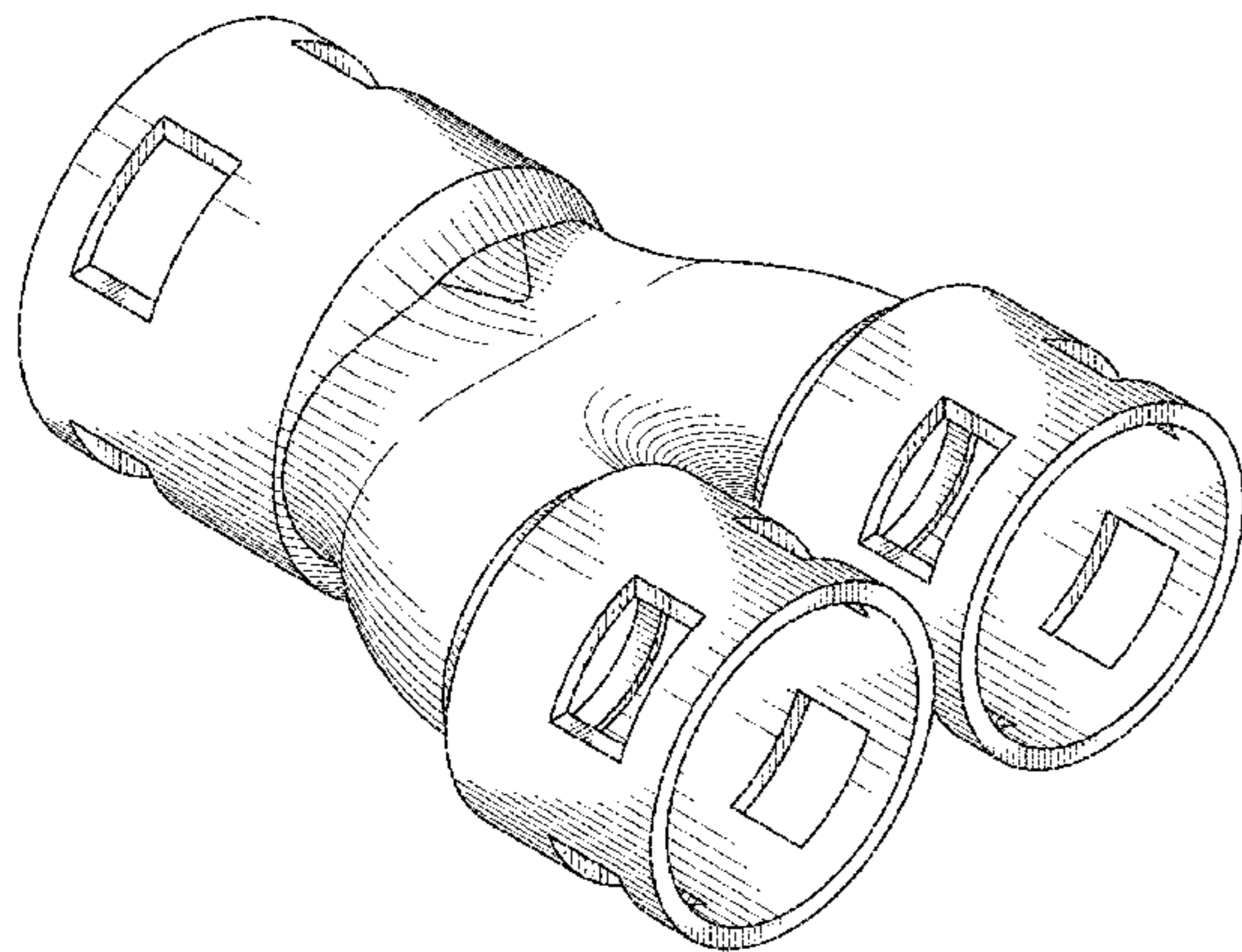
FIG. 1 is a front perspective view of a cable connector depicting my new design;
 FIG. 2 is a rear perspective view thereof;
 FIG. 3 is a top plan view thereof;
 FIG. 4 is a rear elevation view thereof;
 FIG. 5 is a front elevation view thereof;
 FIG. 6 is a left side elevation view thereof; and,
 FIG. 7 is a right side elevation view thereof.
 The broken lines in the drawings are for the purpose of illustrating portions of the cable connector that form no part of the claimed design.

(56) **References Cited**

U.S. PATENT DOCUMENTS

D195,336 S *	6/1963	Powell	D13/133
4,425,174 A *	1/1984	McLoughlin	B29C 61/06
				156/218

1 Claim, 4 Drawing Sheets



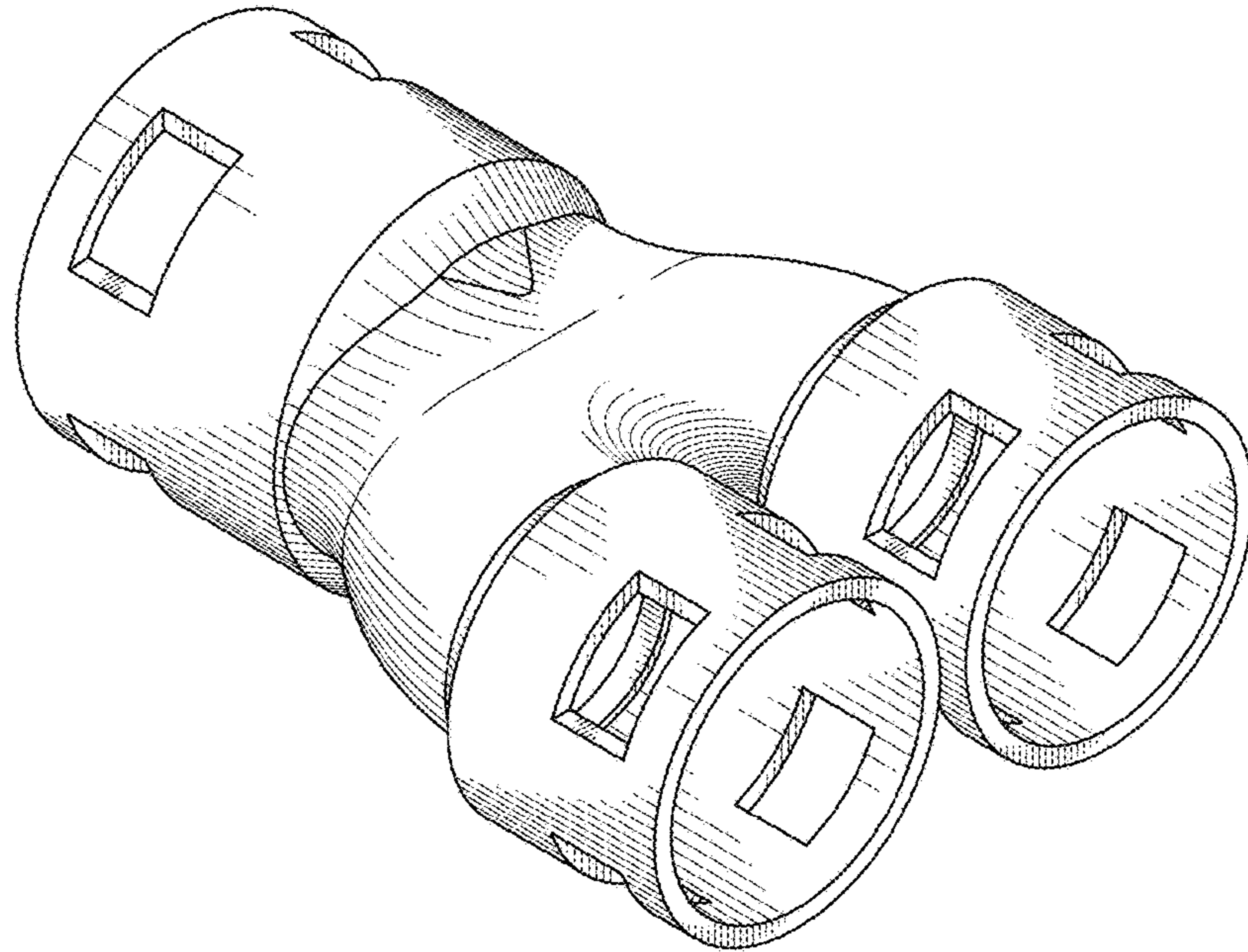


FIG. 1

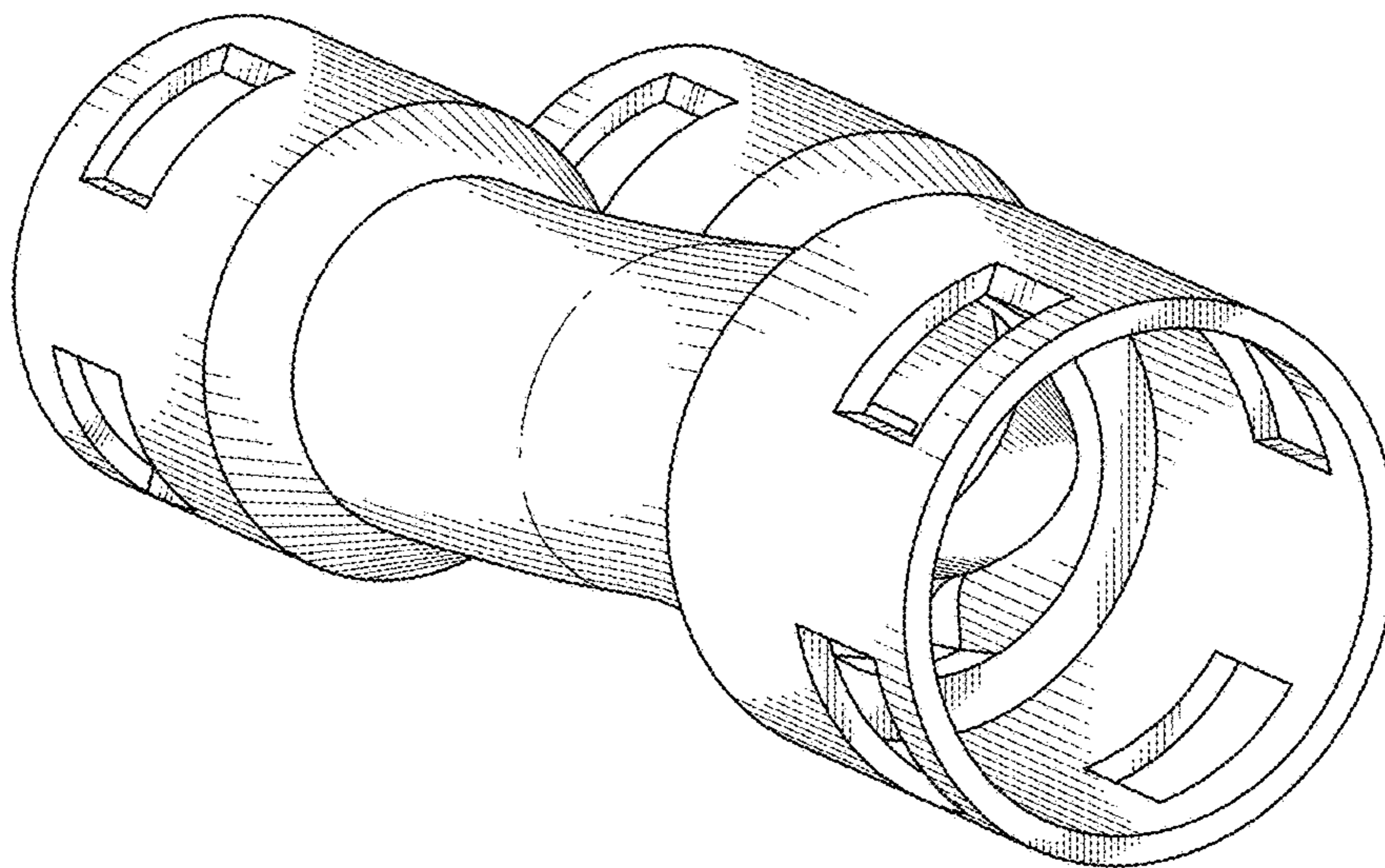


FIG. 2

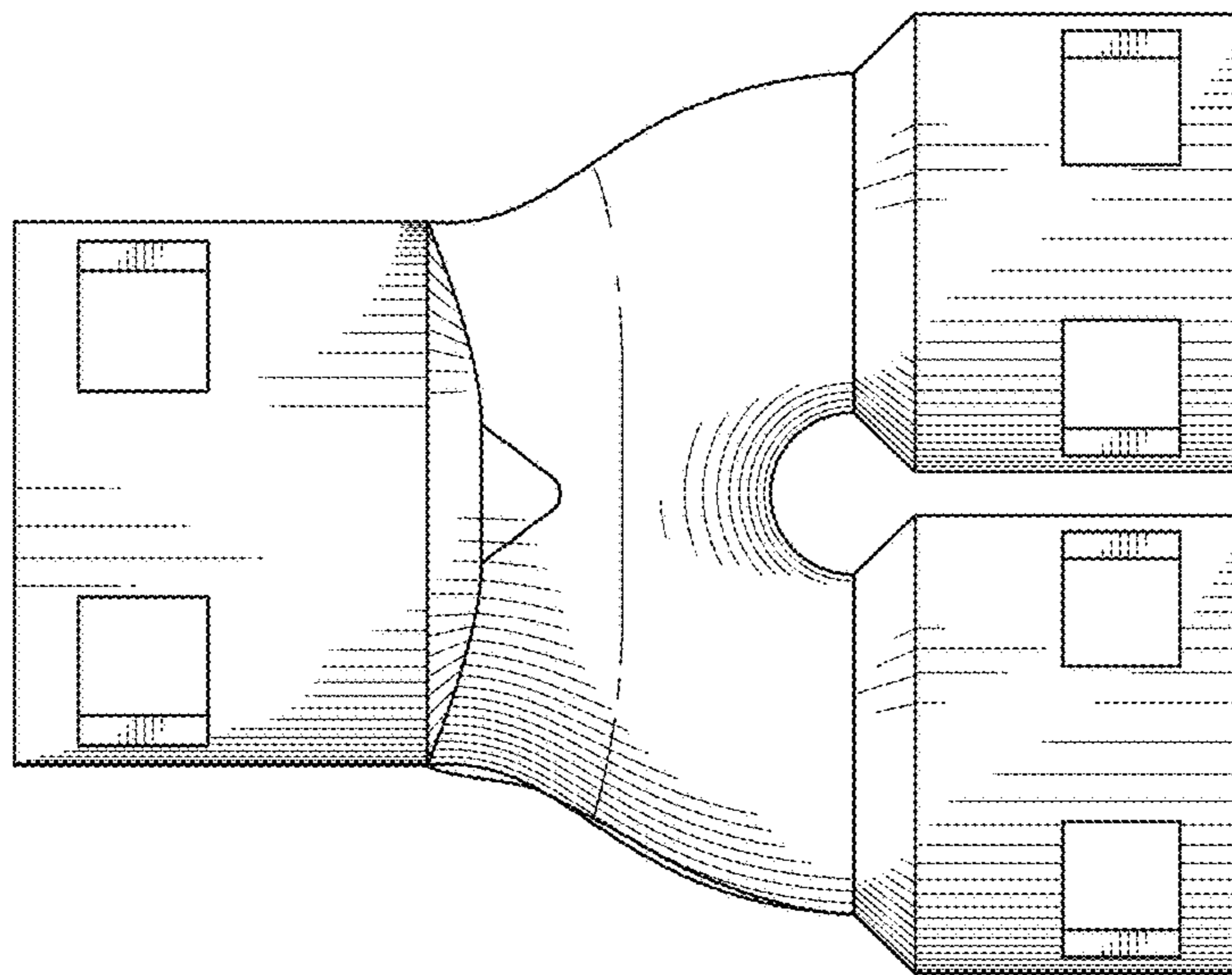


FIG. 3

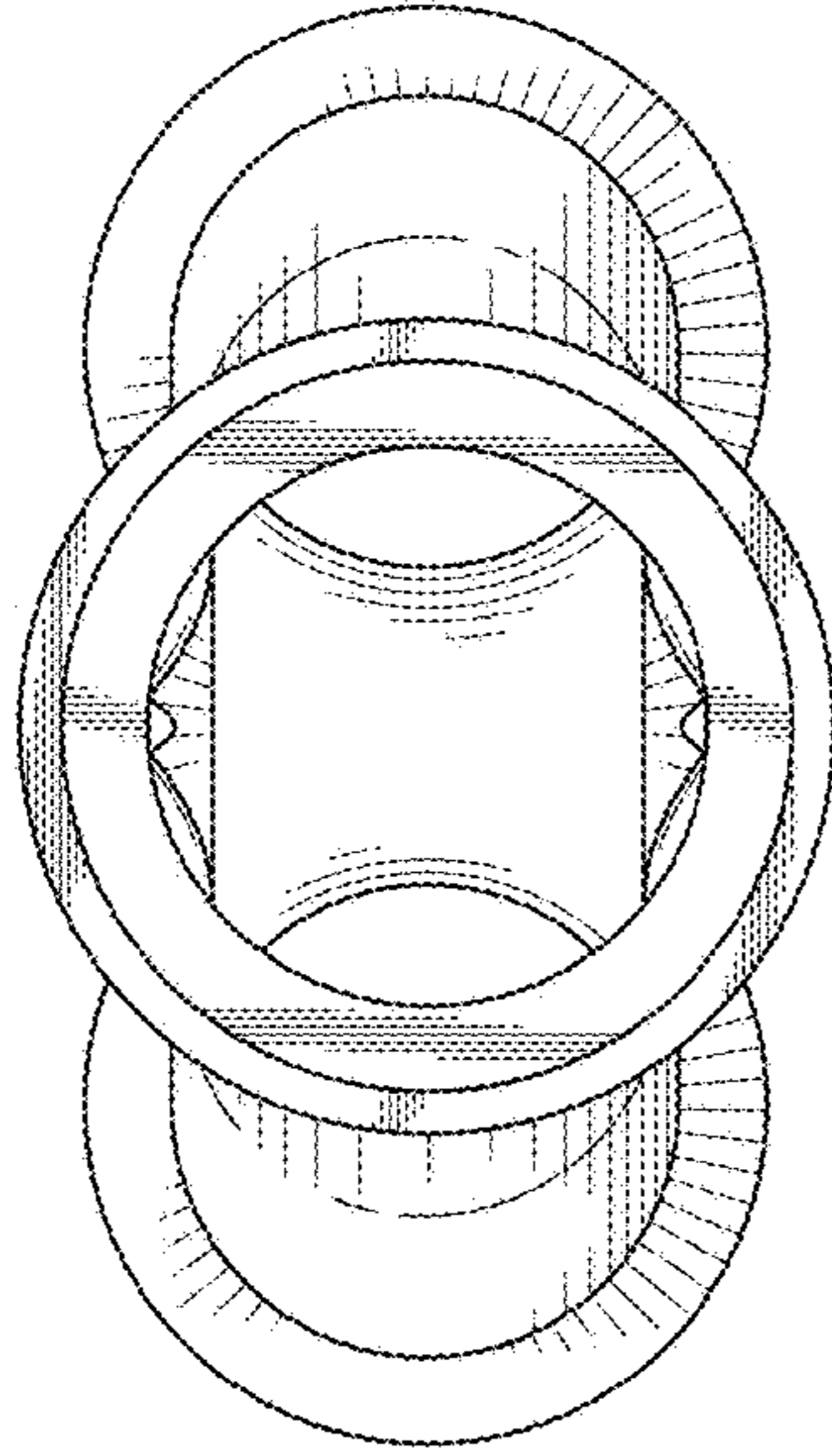


FIG. 4

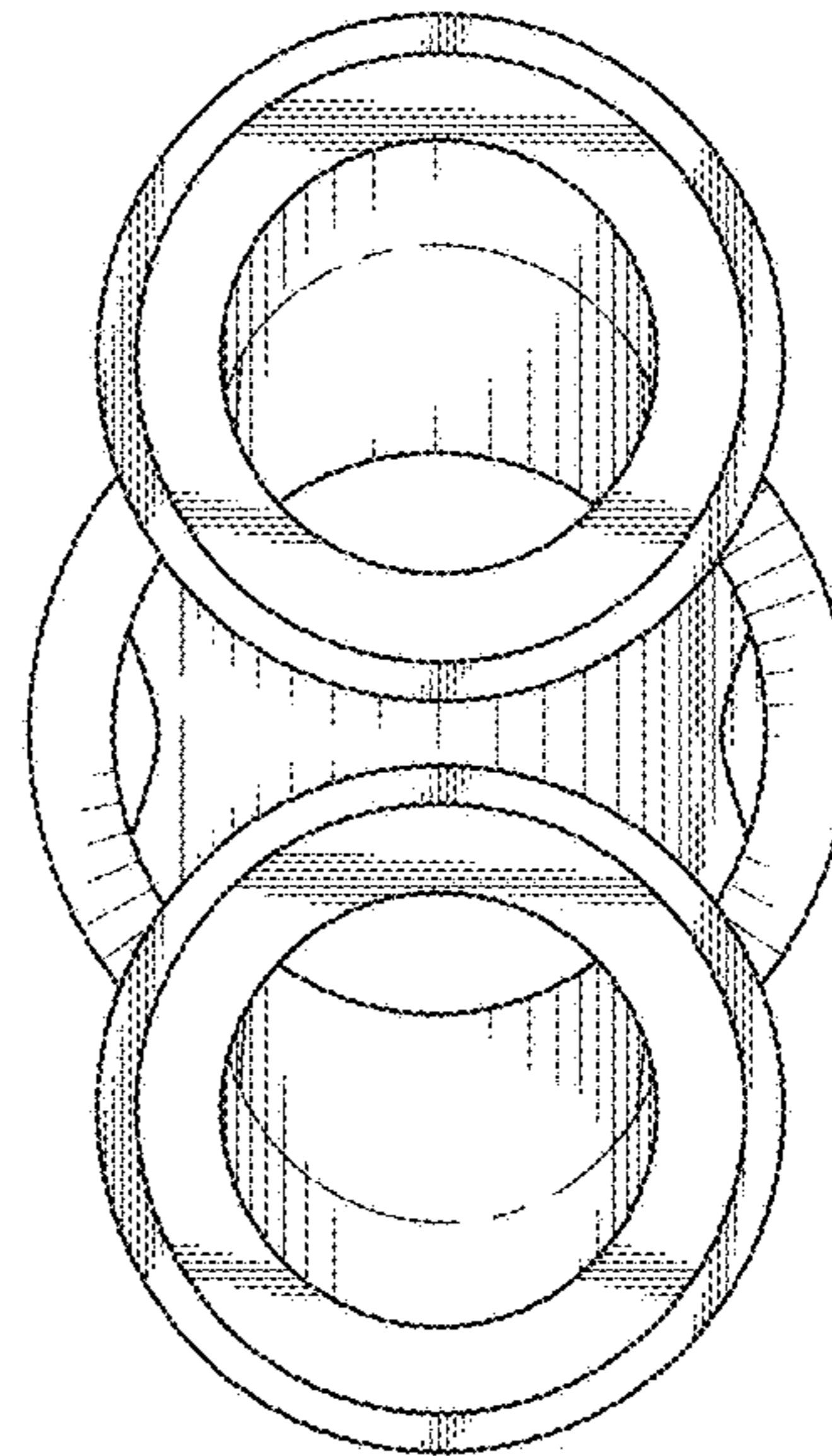


FIG. 5

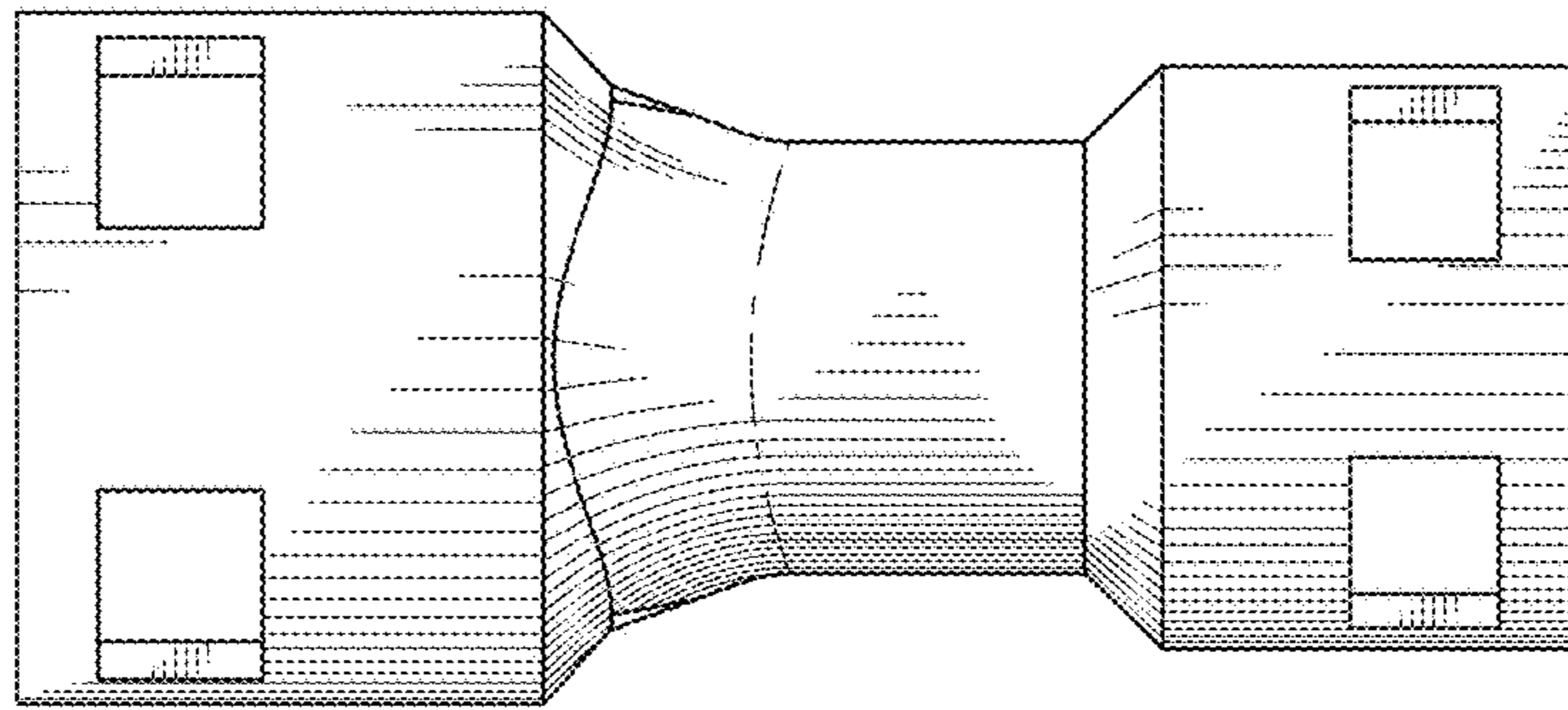


FIG. 6

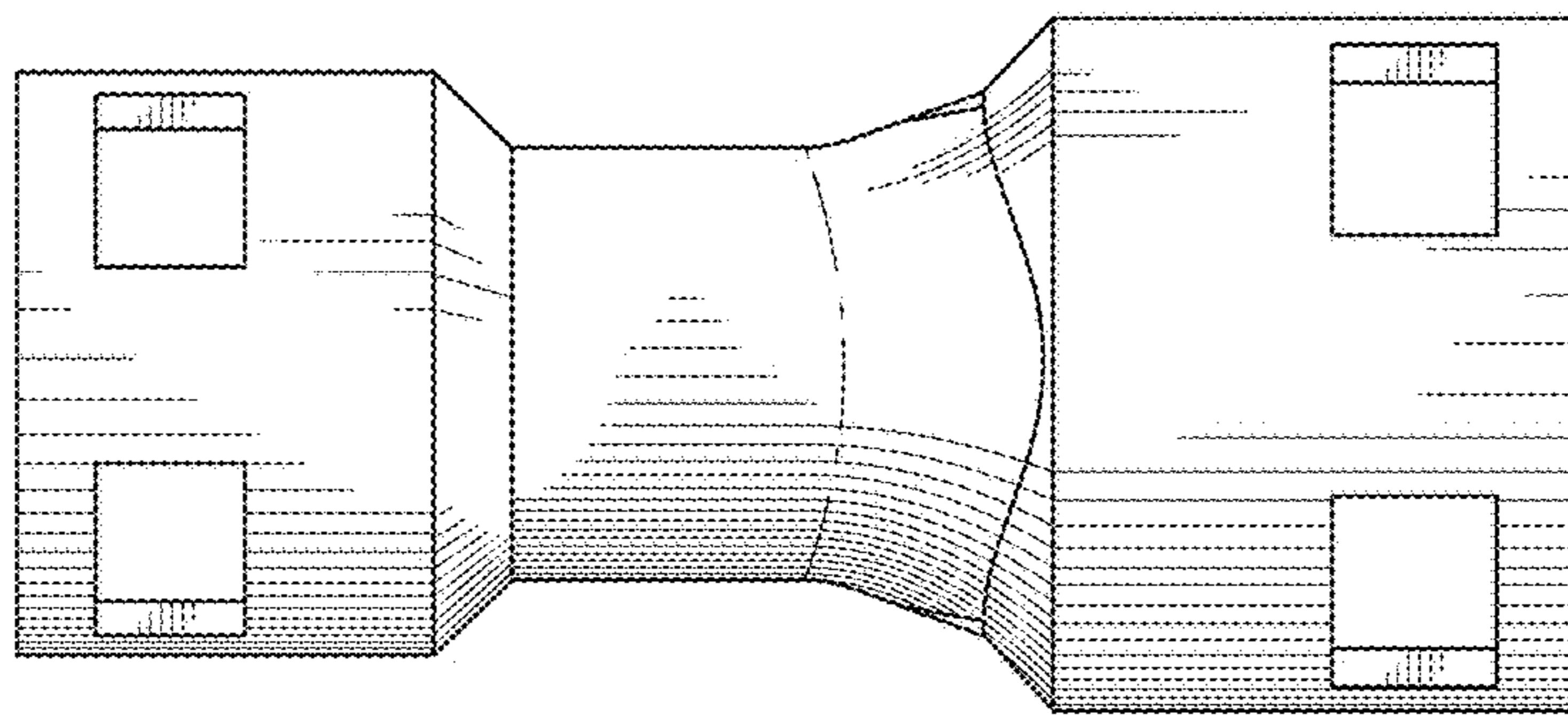


FIG. 7