



US00D840350S

(12) **United States Design Patent**
Keswani et al.

(10) **Patent No.:** **US D840,350 S**
(45) **Date of Patent:** **** Feb. 12, 2019**

(54) **ELECTRICAL CONNECTOR FOR A GRID
BUS BAR SYSTEM**

D793,959 S * 8/2017 Chen D13/147
D797,054 S * 9/2017 Chen D13/147
2017/0338572 A1* 11/2017 Keswani H01R 11/11

(71) Applicant: **IDEAL INDUSTRIES, INC.**,
Sycamore, IL (US)

* cited by examiner

(72) Inventors: **Sushil N. Keswani**, Sycamore, IL (US);
Timothy B. Tunnell, Sycamore, IL
(US); **Adam James Tammisto**, DeKalb,
IL (US)

Primary Examiner — Daniel D Bui

(74) *Attorney, Agent, or Firm* — Greenberg Traurig, LLP

(73) Assignee: **IDEAL Industries, Inc.**, Sycamore, IL
(US)

(57) **CLAIM**

The ornamental design for an electrical connector for a grid
bus bar system, as shown and described.

(**) Term: **15 Years**

(21) Appl. No.: **29/562,323**

(22) Filed: **Apr. 25, 2016**

(51) **LOC (11) Cl.** **13-03**

(52) **U.S. Cl.**
USPC **D13/147**

(58) **Field of Classification Search**
USPC D13/133, 146, 147, 154, 155, 158, 184,
D13/199
CPC .. H01R 9/2466; H01R 11/11; H01R 25/1426;
H01R 25/147; H01R 25/162; H02G 5/06;
H02B 11/04
See application file for complete search history.

DESCRIPTION

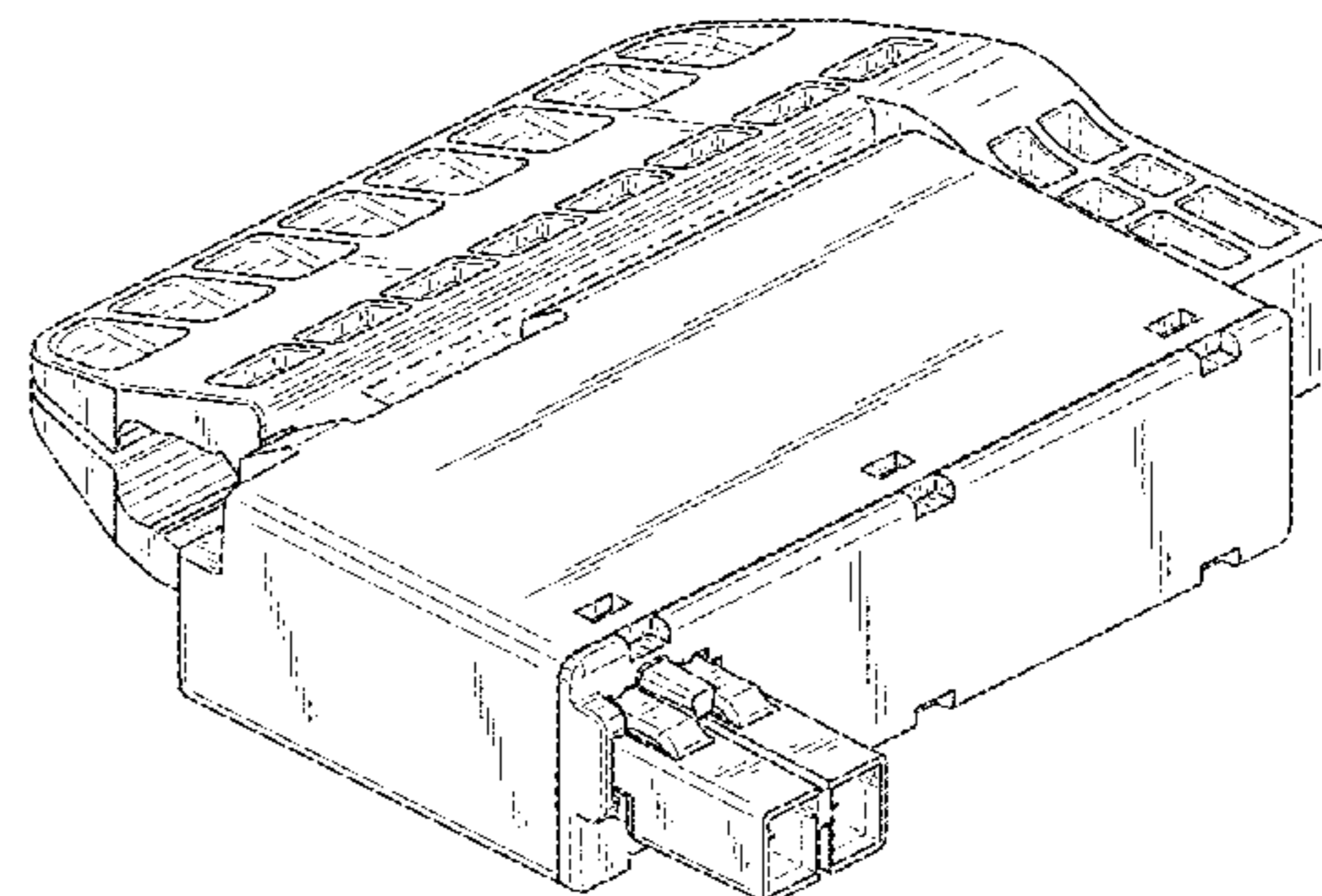
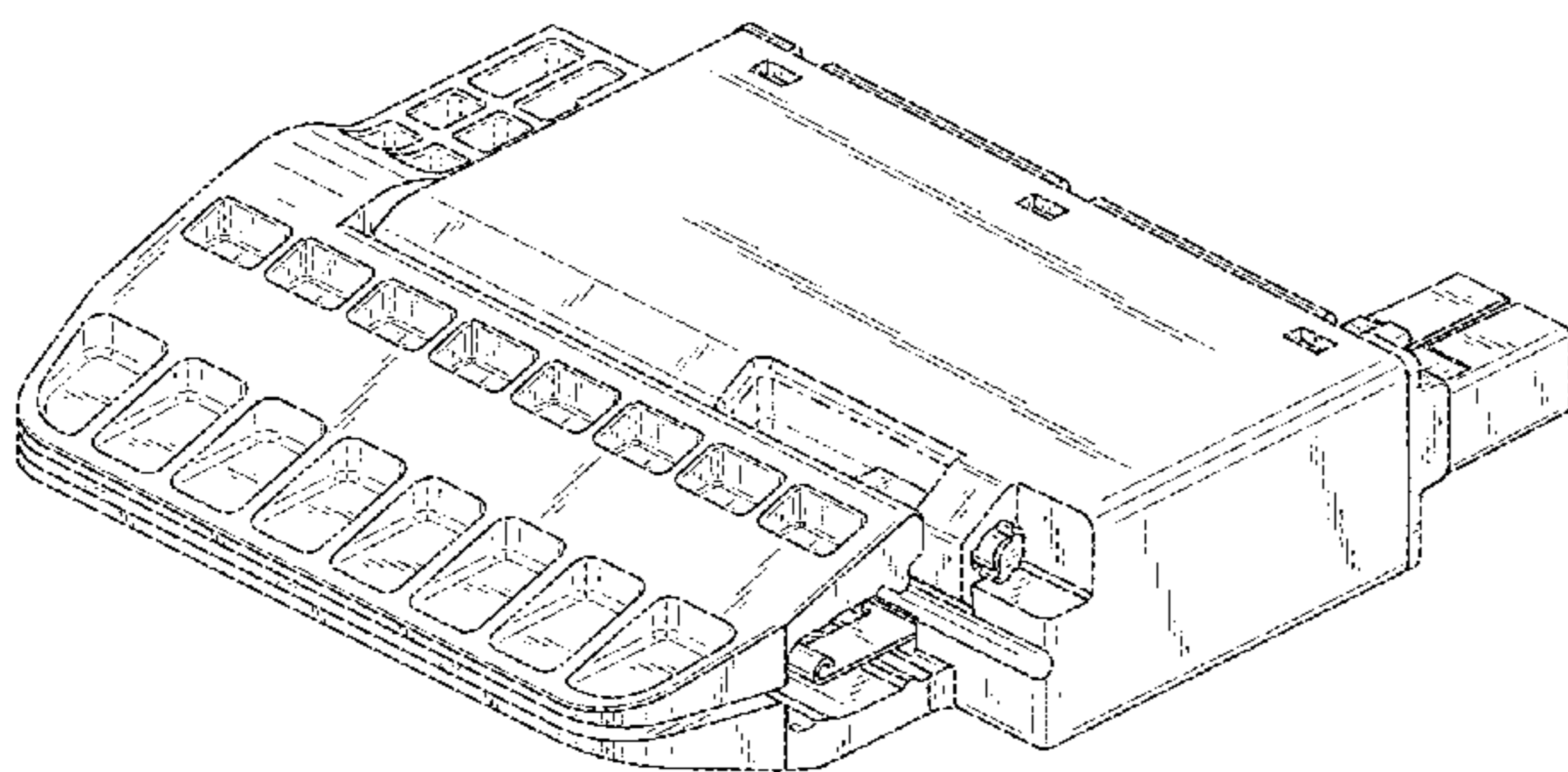
FIG. 1 is a front, bottom, and right side perspective view of
an electrical connector for a grid bus bar system showing our
new design;
FIG. 2 is a front, top, and right side perspective view thereof;
FIG. 3 is a bottom plan view thereof;
FIG. 4 is a top plan view thereof;
FIG. 5 is a right side elevational view thereof;
FIG. 6 is a left side elevational view thereof;
FIG. 7 is front side elevational view thereof; and,
FIG. 8 is a rear side elevational view thereof.
The broken lines in the drawing views represent unclaimed
portions of the electrical connector and form no part of the
claimed design. The dash-dot broken line in the drawing
views represents the boundary of the claimed design.

(56) **References Cited**

U.S. PATENT DOCUMENTS

D533,137 S * 12/2006 Henriksson D13/147

1 Claim, 6 Drawing Sheets



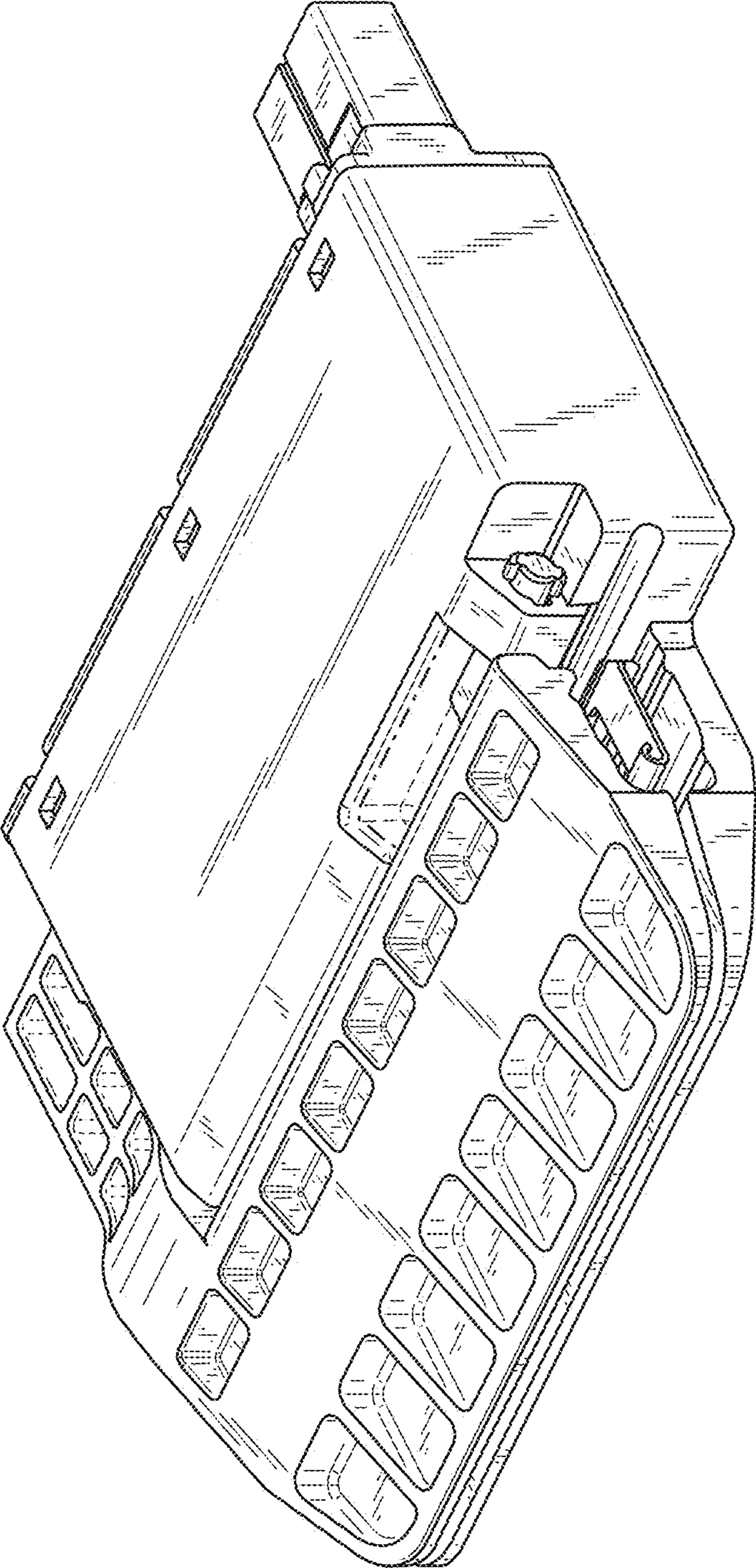


FIG. 1

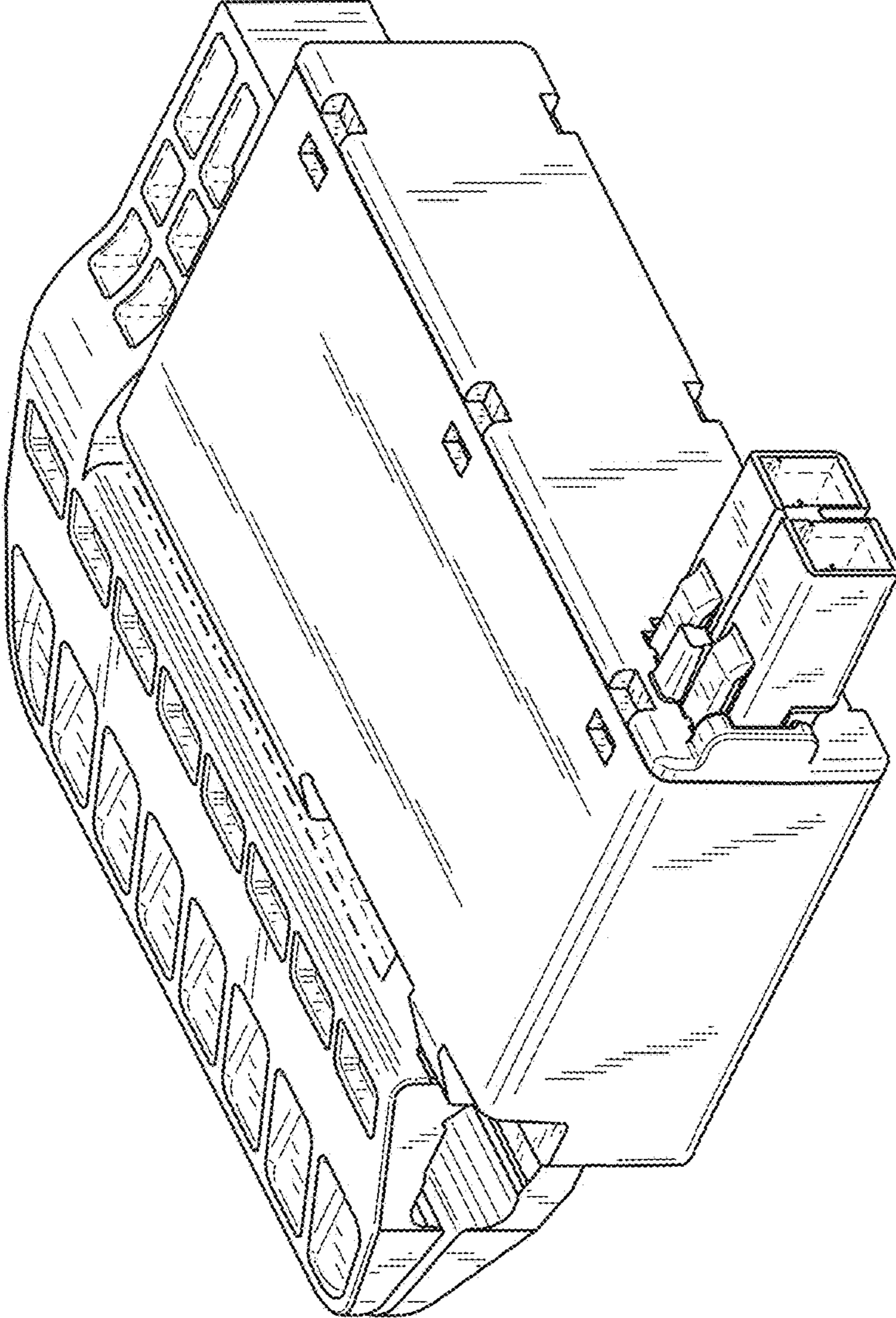


FIG. 2

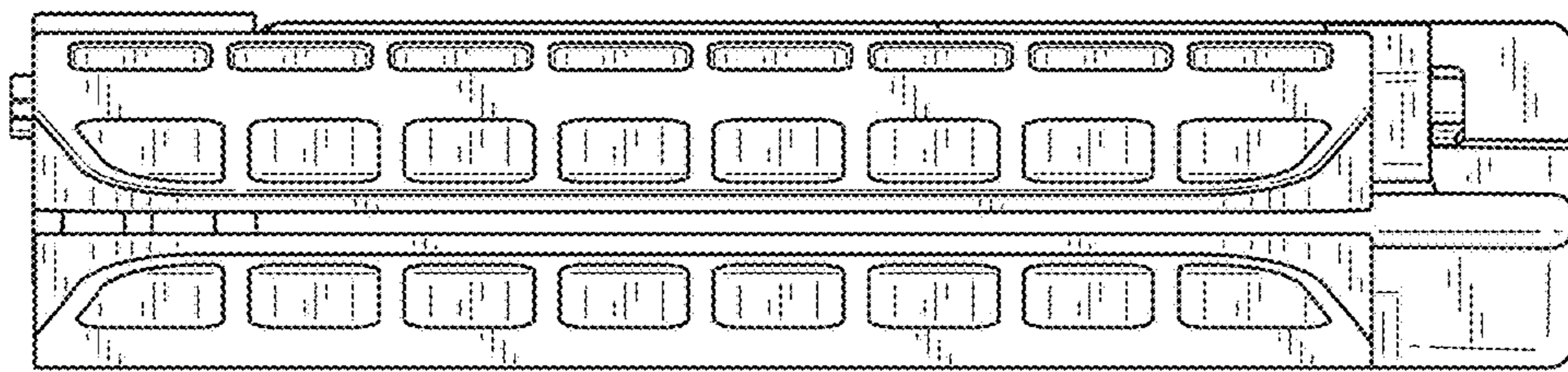


FIG. 3

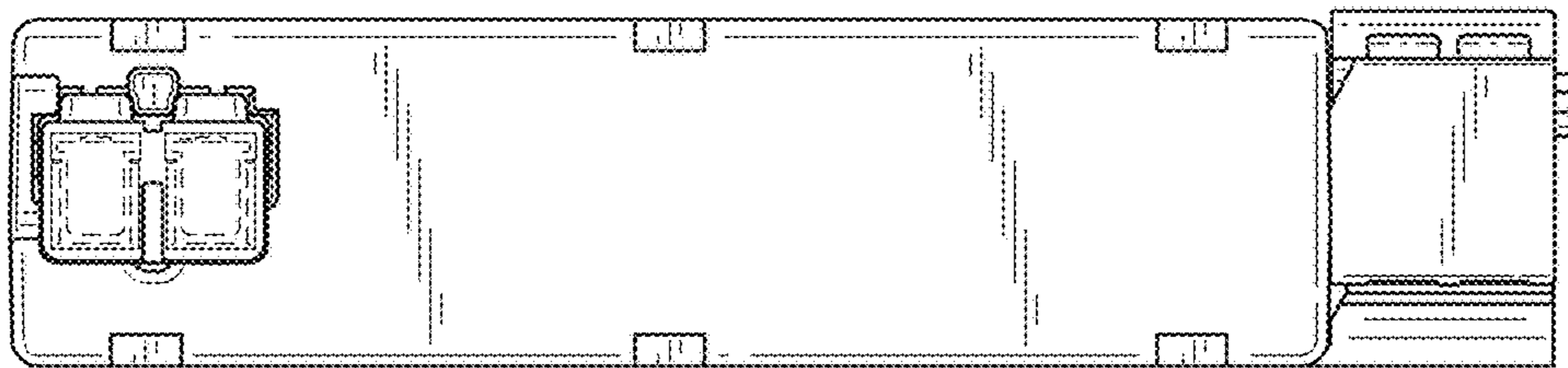


FIG. 4

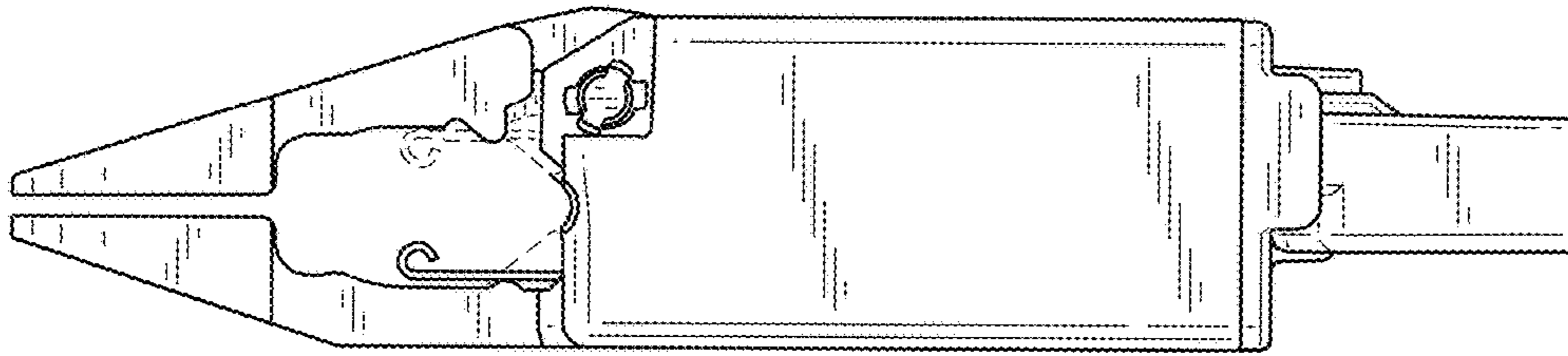


FIG. 5

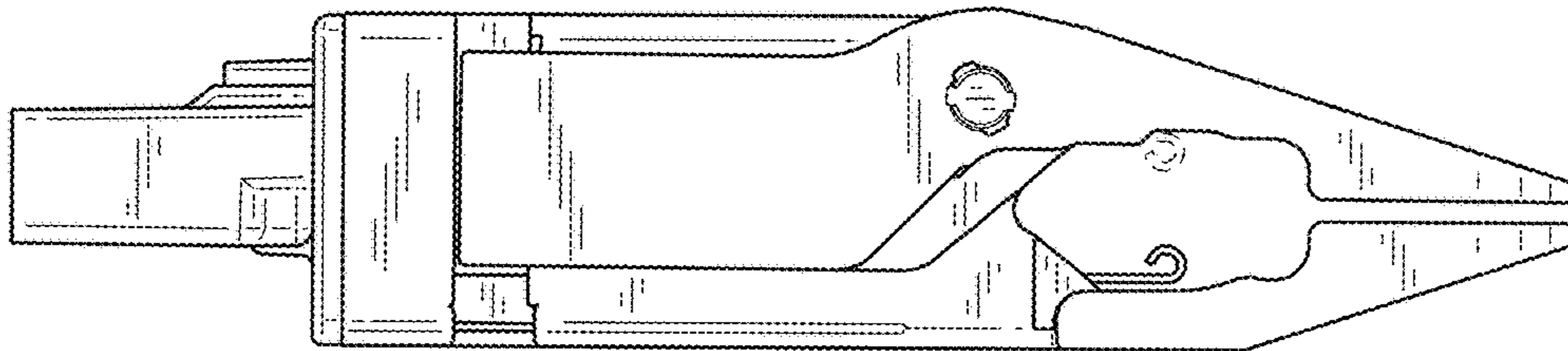


FIG. 6

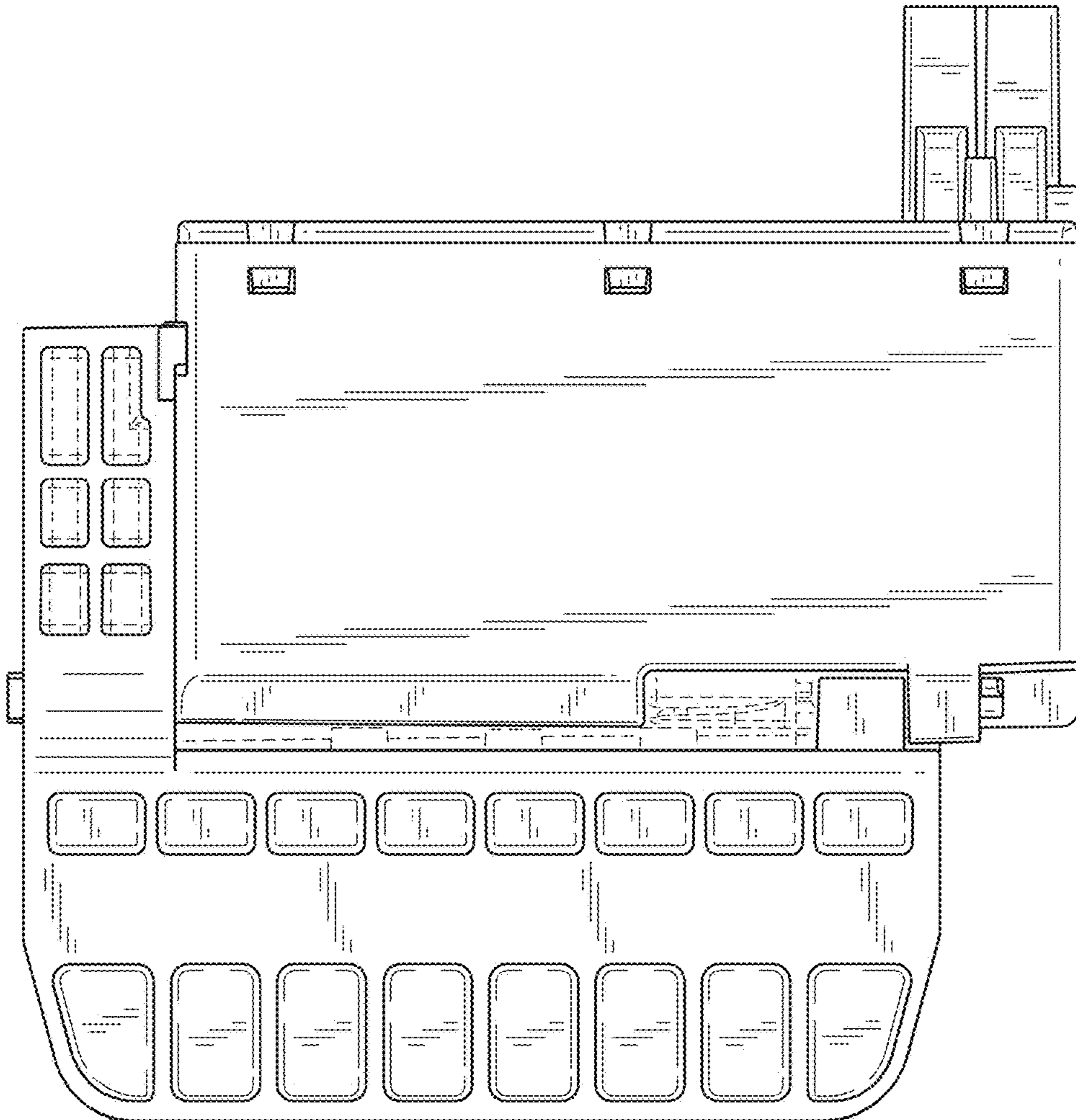


FIG. 7

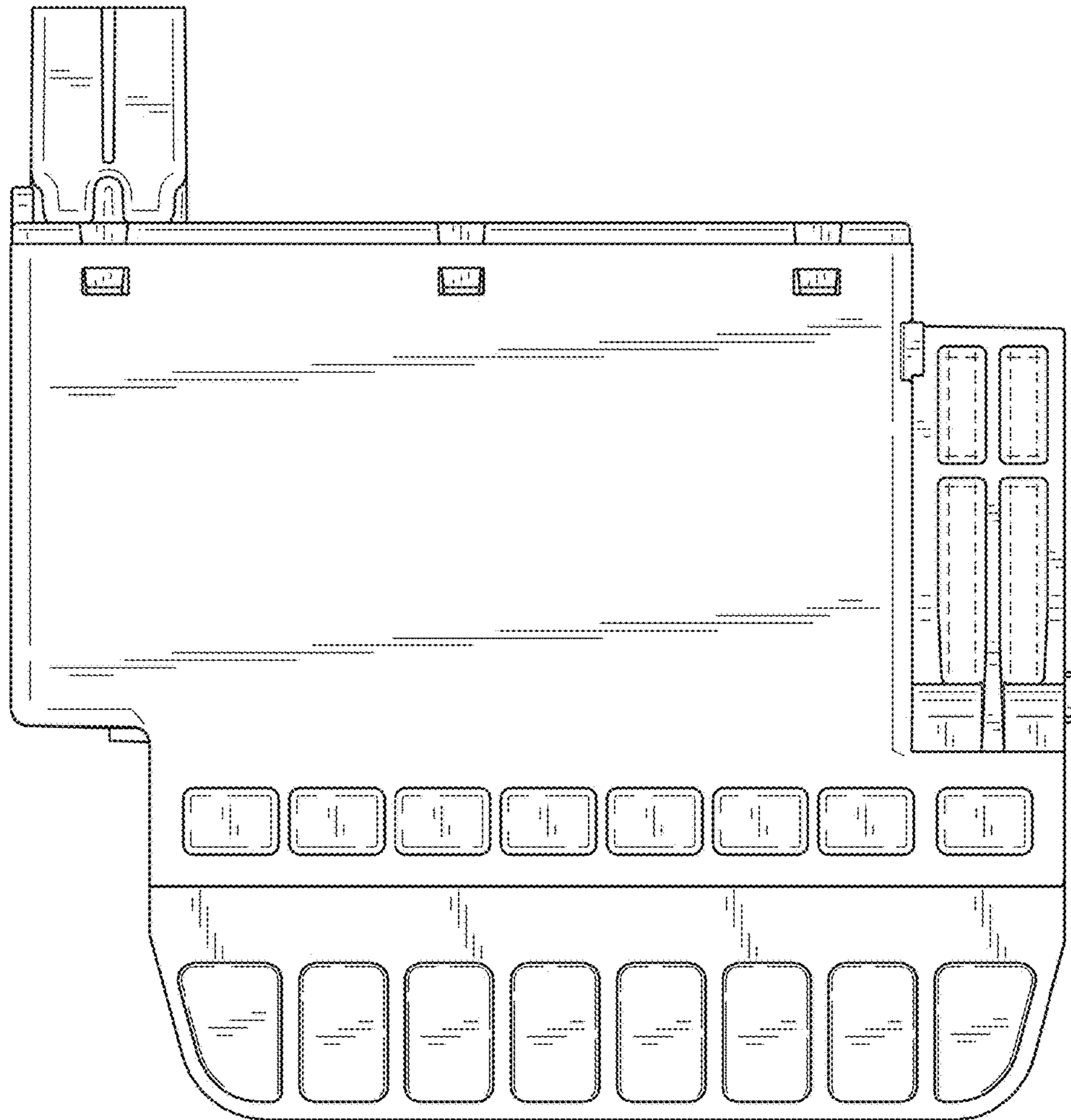


FIG. 8