



US00D840347S

(12) **United States Design Patent**  
**Byrne et al.**

(10) **Patent No.:** **US D840,347 S**  
(45) **Date of Patent:** **\*\* Feb. 12, 2019**

(54) **ELECTRICAL POWER UNIT**

(71) Applicants: **Norman R. Byrne**, Ada, MI (US);  
**Daniel P. Byrne**, Lowell, MI (US);  
**Joseph D. Ward**, Grand Rapids, MI  
(US); **Aaron G. Lautenbach**,  
Rockford, MI (US)

(72) Inventors: **Norman R. Byrne**, Ada, MI (US);  
**Daniel P. Byrne**, Lowell, MI (US);  
**Joseph D. Ward**, Grand Rapids, MI  
(US); **Aaron G. Lautenbach**,  
Rockford, MI (US)

(\*\*) Term: **15 Years**

(21) Appl. No.: **29/607,290**

(22) Filed: **Jun. 12, 2017**

(51) **LOC (11) Cl.** ..... **13-03**

(52) **U.S. Cl.**  
USPC ..... **D13/139.4**

(58) **Field of Classification Search**  
USPC ..... D13/133, 146, 147, 148, 151, 154, 158,  
D13/173, 184, 199, 138.2, 139.4  
CPC .. H01R 13/6675; H01R 13/44; H01R 31/065;  
H01R 13/4534  
See application file for complete search history.

(56) **References Cited**

**U.S. PATENT DOCUMENTS**

6,379,182	B1	4/2002	Byrne	
7,736,178	B2	6/2010	Byrne	
D627,728	S *	11/2010	Smith	D13/108
D683,314	S *	5/2013	Andre	D13/108
D701,835	S *	4/2014	Byrne	D13/138.2
D716,231	S *	10/2014	Byrne	D13/138.2
D716,734	S *	11/2014	Byrne	D13/138.2
D716,735	S *	11/2014	Byrne	D13/138.2
D720,295	S *	12/2014	Dodal	D13/139.1
D721,330	S *	1/2015	Byrne	D13/146
D722,563	S *	2/2015	Byrne	D13/146

9,148,006	B2	9/2015	Byrne et al.	
D744,951	S *	12/2015	Oosterman	D13/139.1
D751,502	S *	3/2016	Riner	D13/108
D793,343	S *	8/2017	Byrne	D13/152

(Continued)

**OTHER PUBLICATIONS**

Co-pending and commonly-owned design U.S. Appl. No. 29/605,930,  
filed May 31, 2017.

(Continued)

*Primary Examiner* — Rosemary K Tarcza  
*Assistant Examiner* — Christy M Nemeth  
(74) *Attorney, Agent, or Firm* — Gardner, Linn, Burkhardt  
& Ondersma LLP

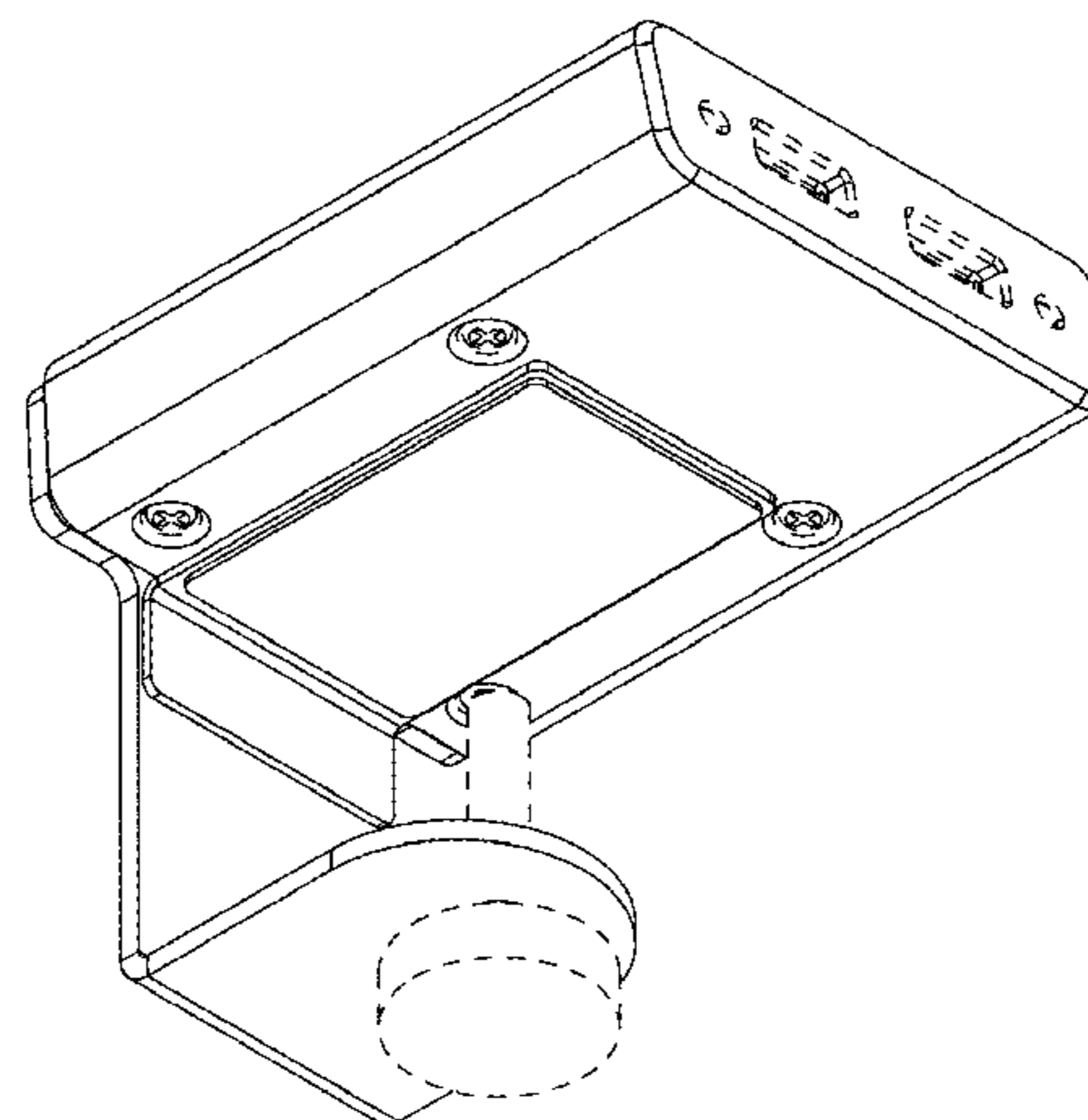
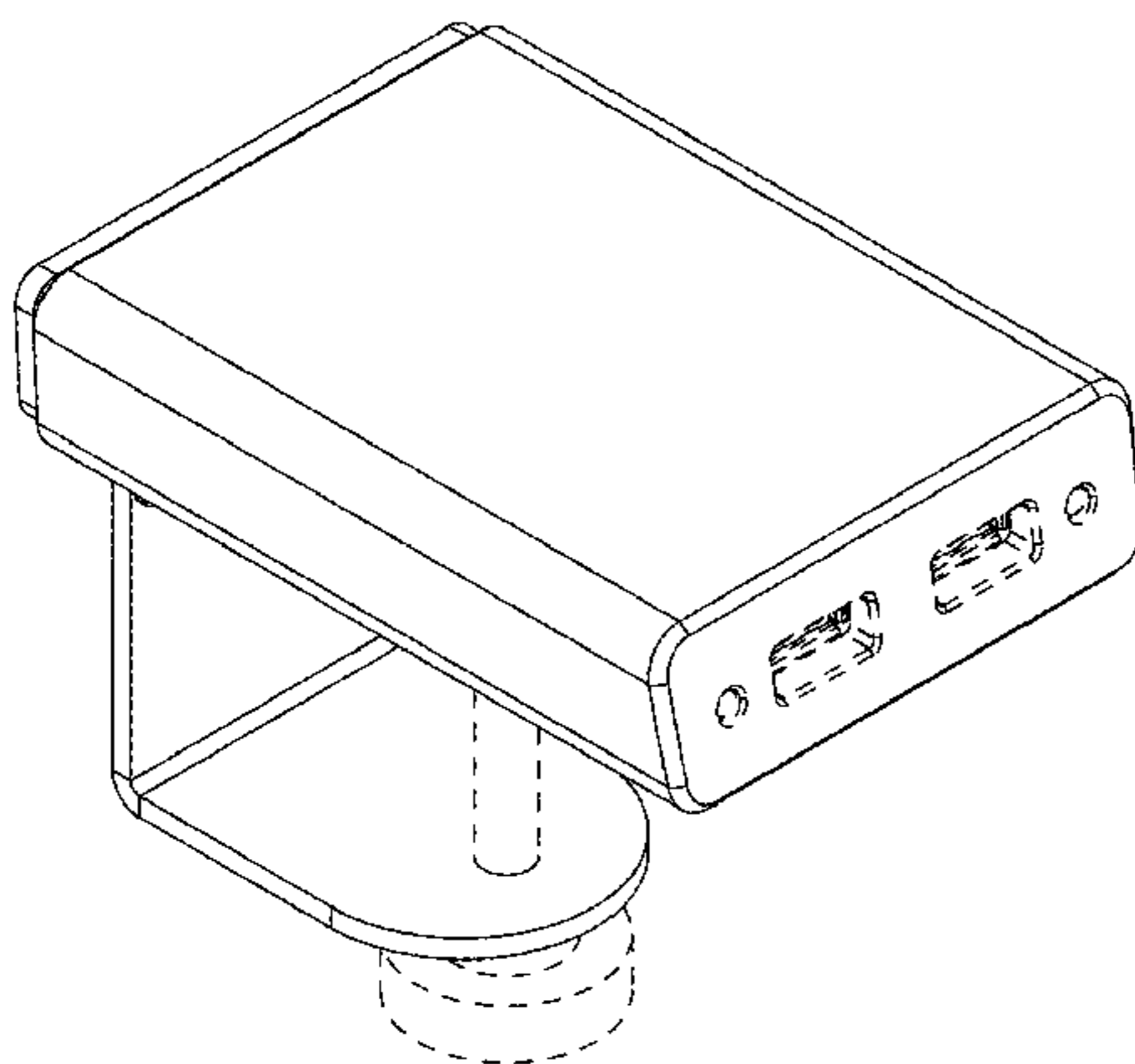
(57) **CLAIM**

The ornamental design for an electrical power unit, as shown  
and described.

**DESCRIPTION**

FIG. 1 is a front perspective view of an electrical power unit  
showing our new design, viewed from above and to the  
right;  
FIG. 2 is another front perspective view thereof, viewed  
from below and to the right;  
FIG. 3 is a rear perspective view thereof, viewed from above  
and to the right;  
FIG. 4 is another rear perspective view thereof, viewed from  
below and to the right;  
FIG. 5 is a top plan view thereof;  
FIG. 6 is a bottom plan view thereof;  
FIG. 7 is a front elevation thereof;  
FIG. 8 is a rear elevation thereof;  
FIG. 9 is a right side elevation thereof; and,  
FIG. 10 is a left side elevation thereof.  
In the drawings, the broken lines depict unclaimed subject  
matter only and form no part of the claimed design.

**1 Claim, 5 Drawing Sheets**



(56)

**References Cited**

U.S. PATENT DOCUMENTS

D807,297 S \* 1/2018 Byrne ..... D13/139.1  
D807,829 S \* 1/2018 Byrne ..... D13/138.2

OTHER PUBLICATIONS

Co-pending and commonly-owned design U.S. Appl. No. 29/607,337,  
filed Jun. 12, 2017.

\* cited by examiner

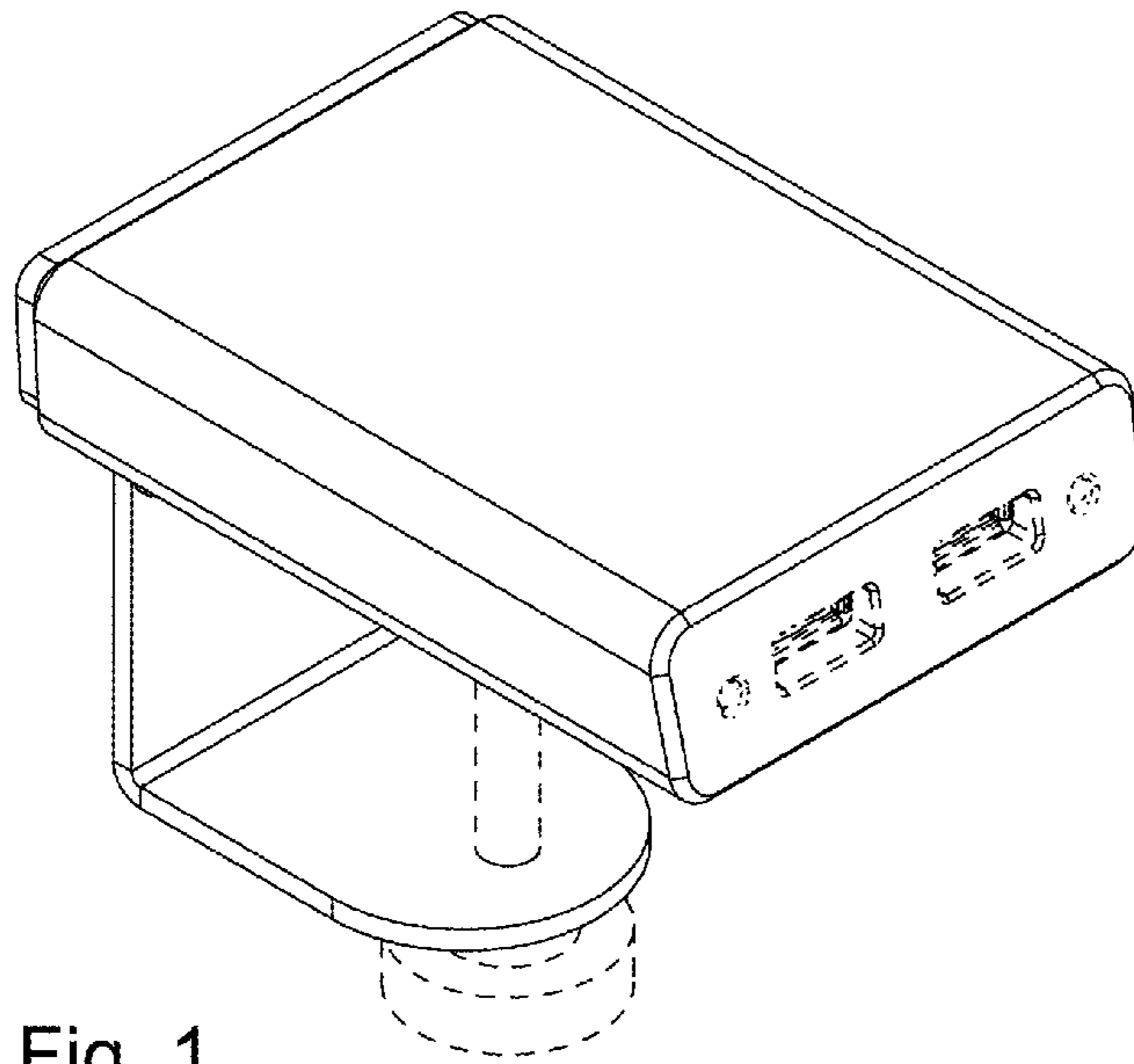


Fig. 1

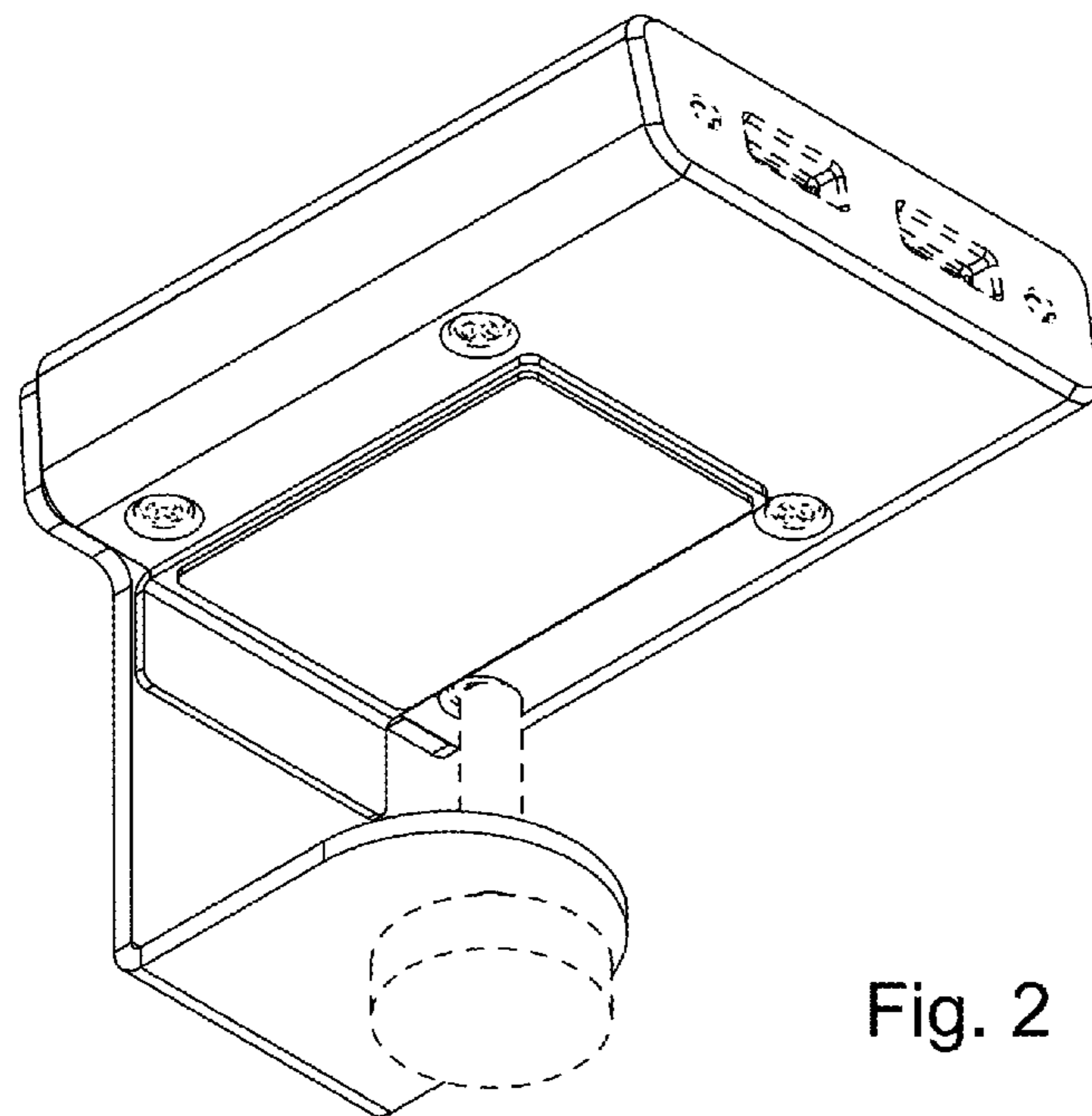


Fig. 2

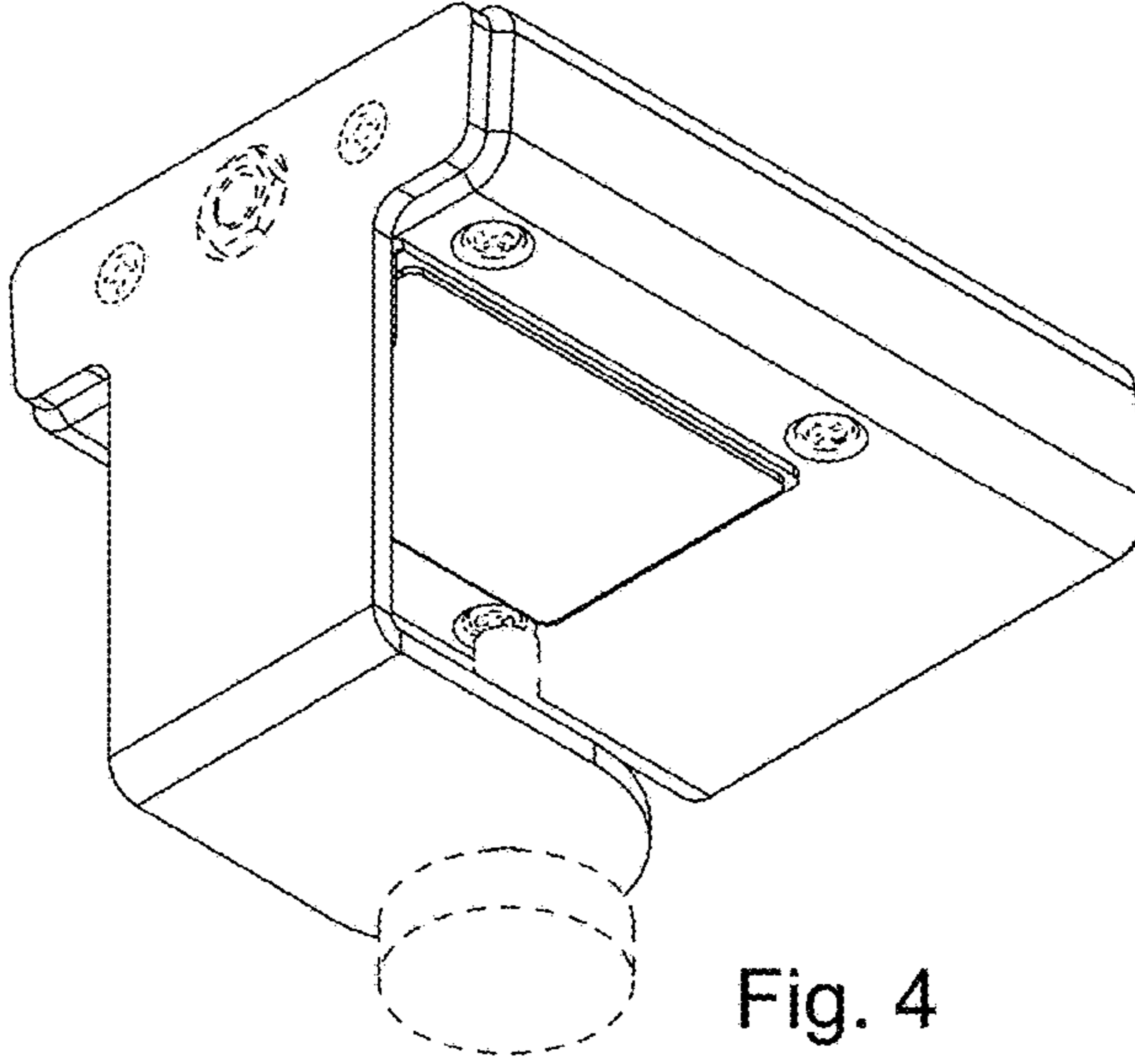
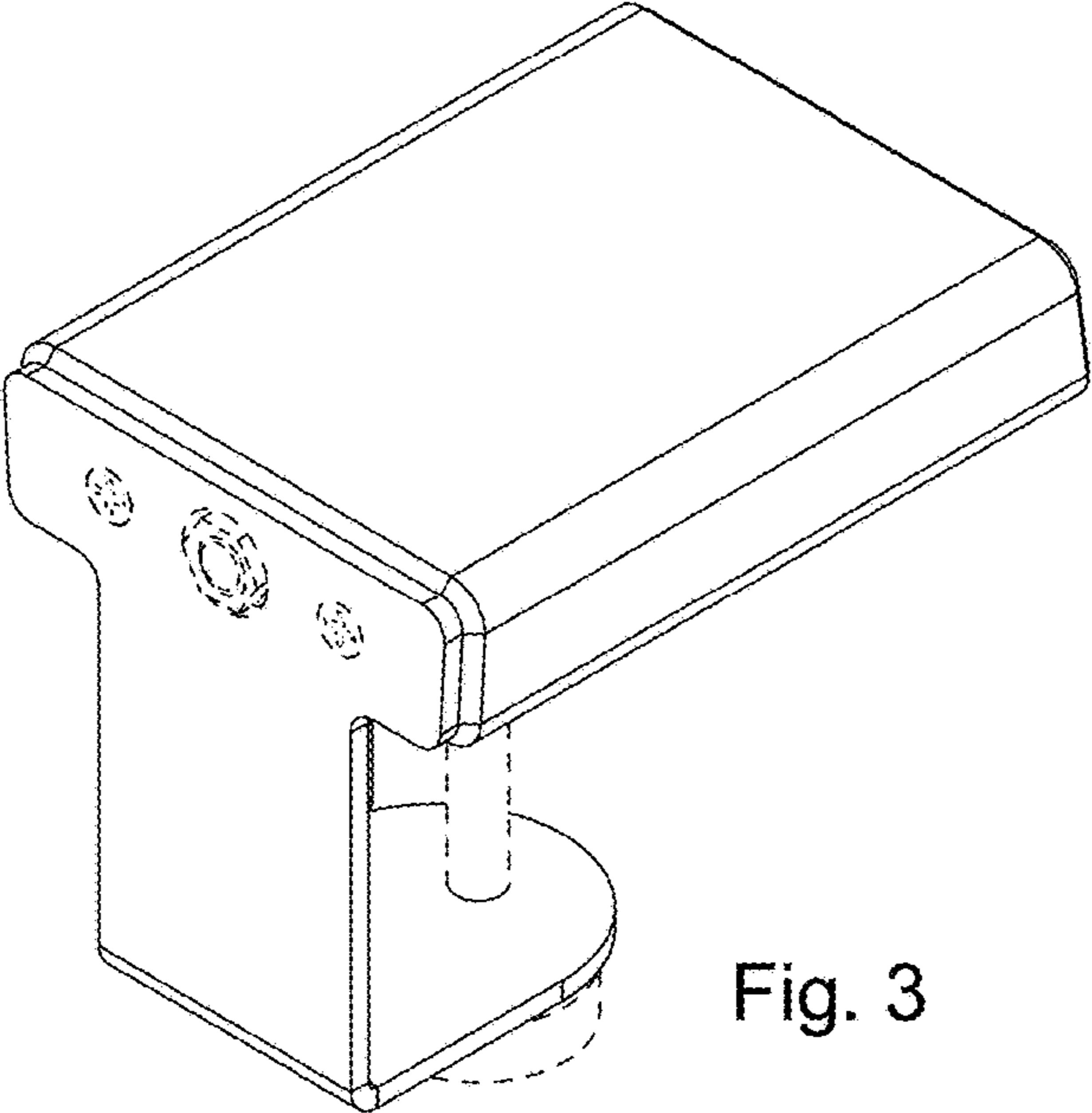


Fig. 5

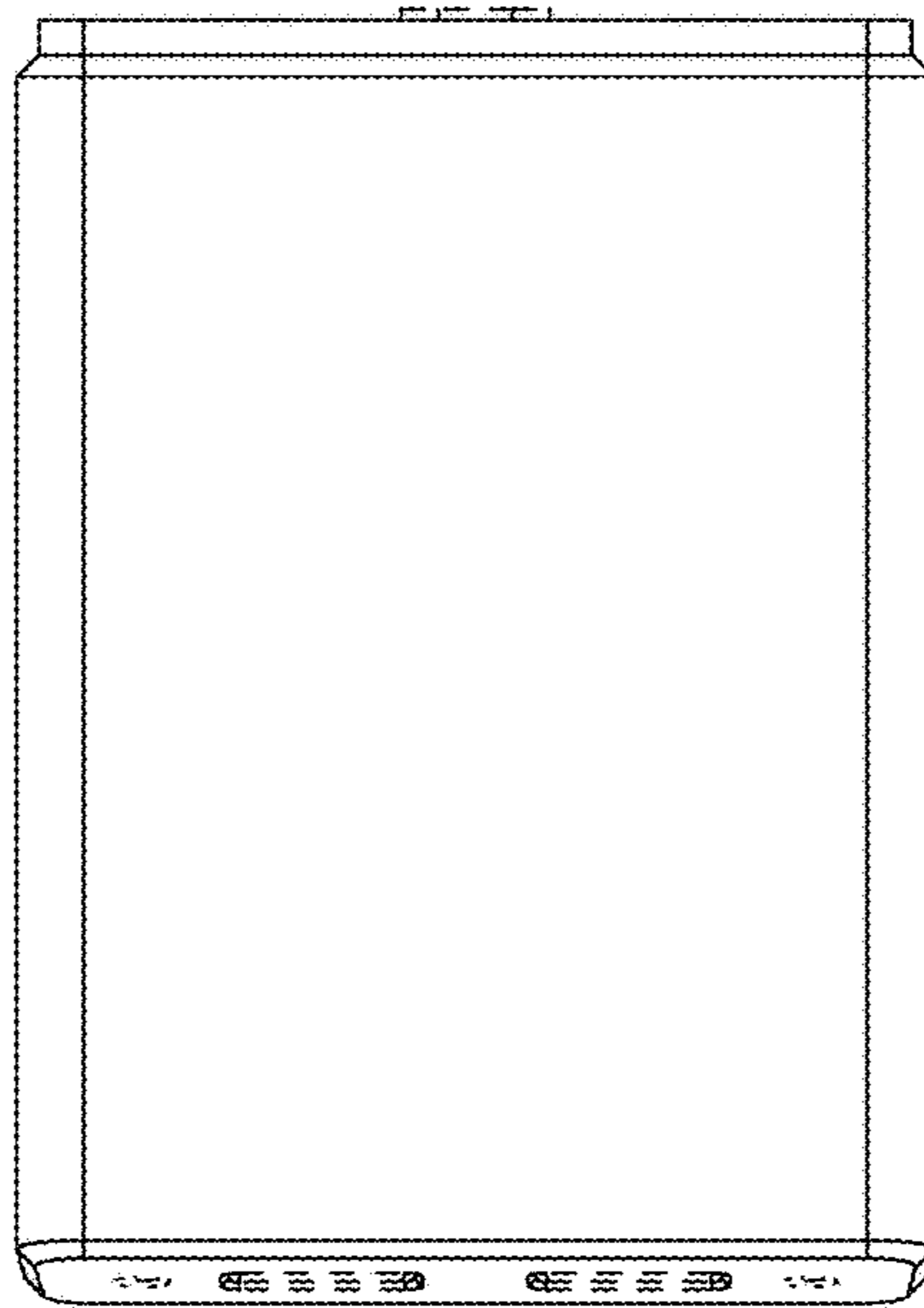
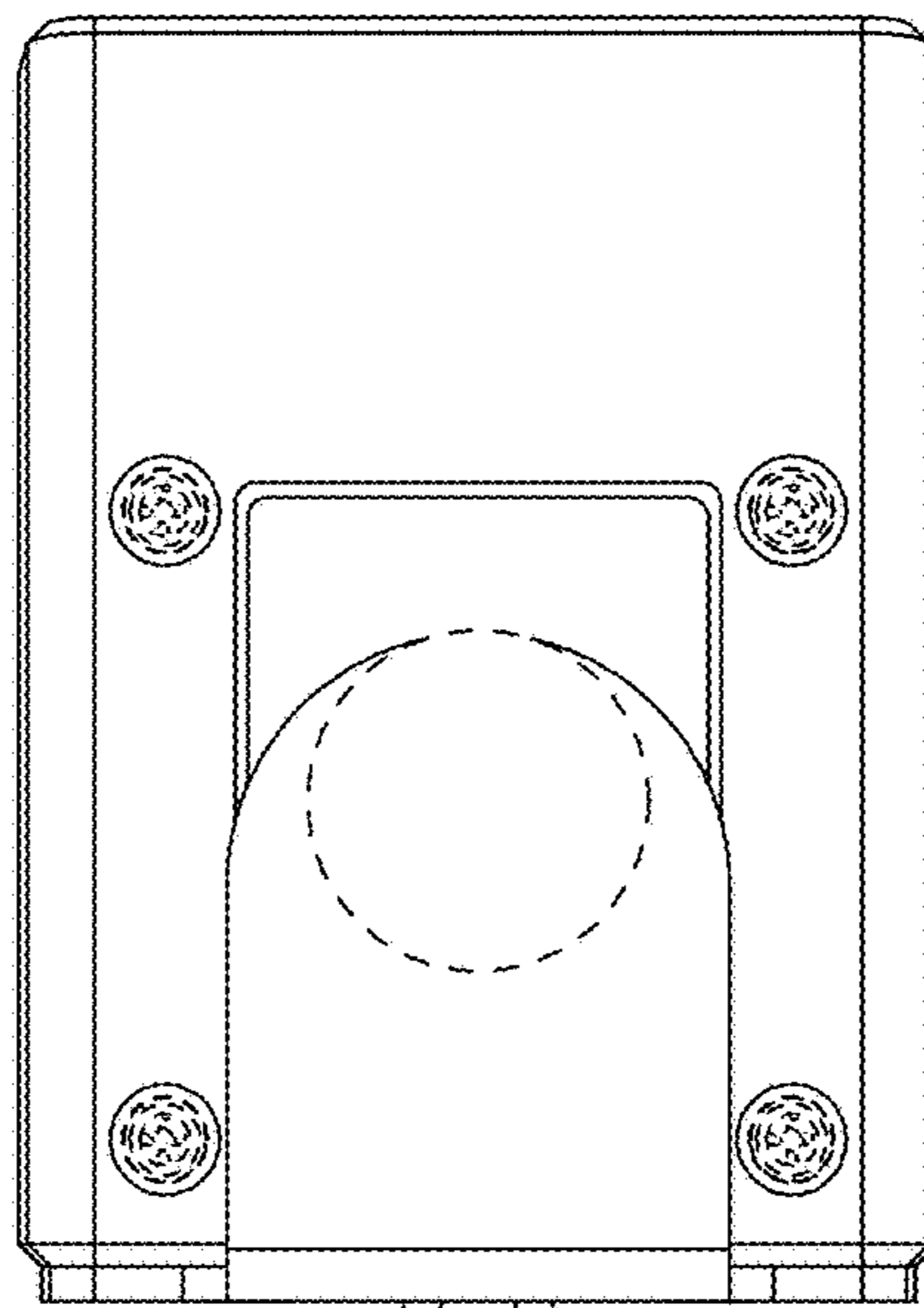


Fig. 6



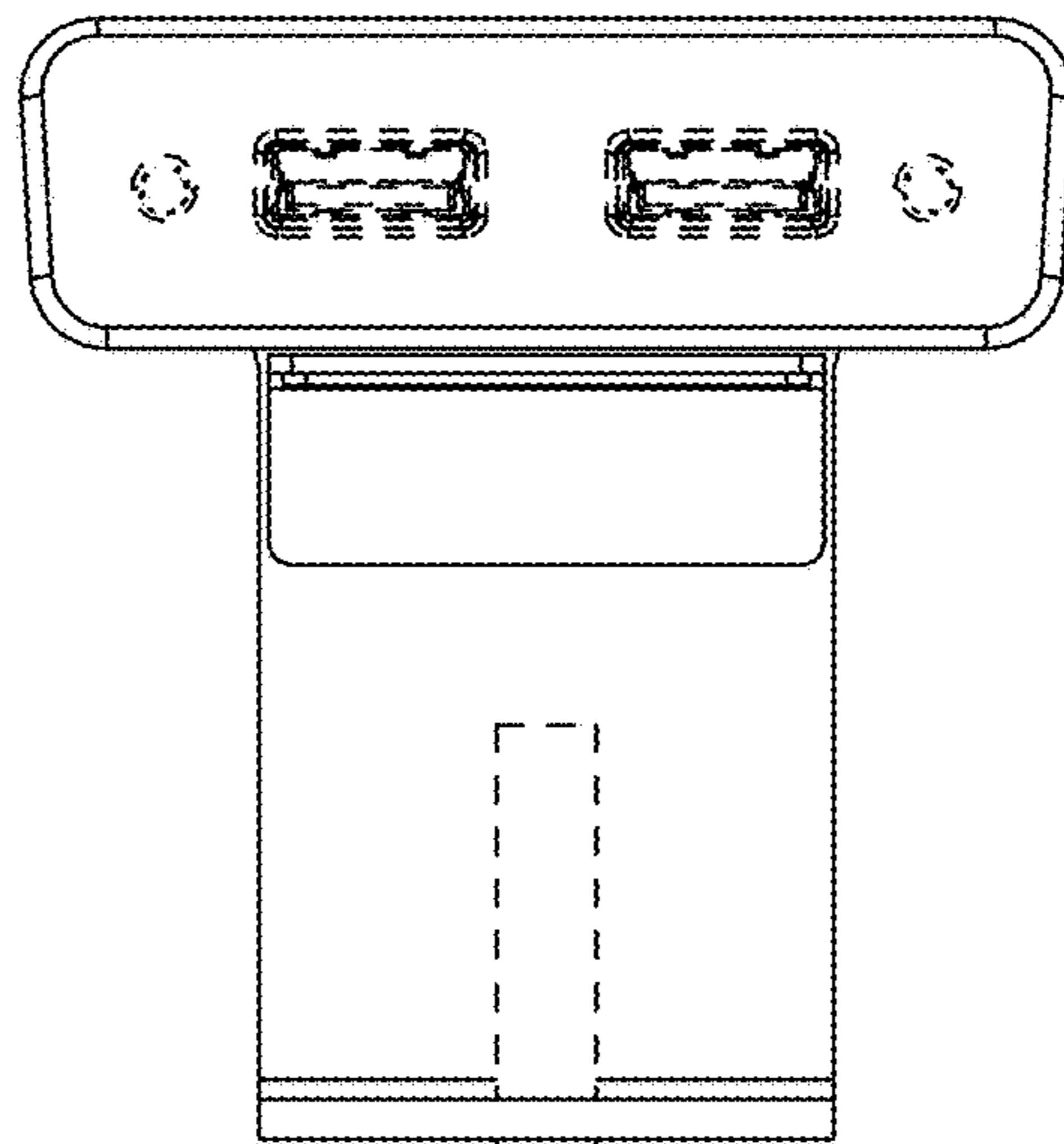


Fig. 7

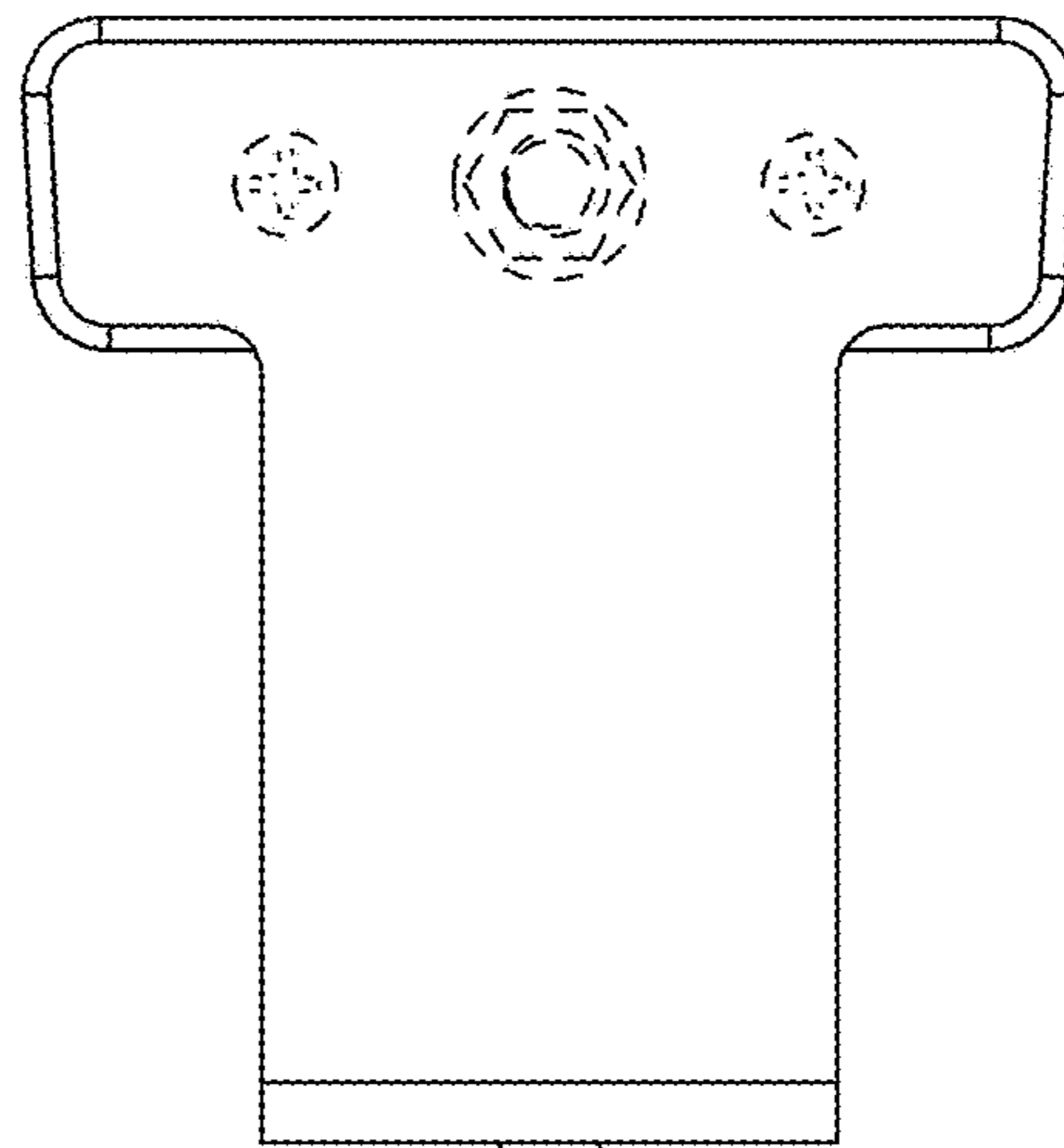
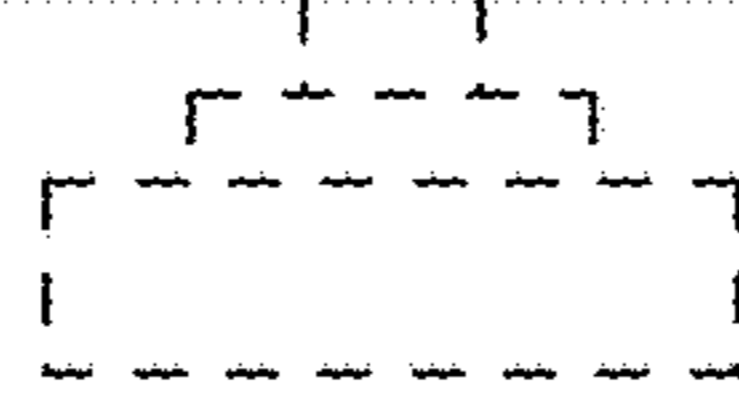
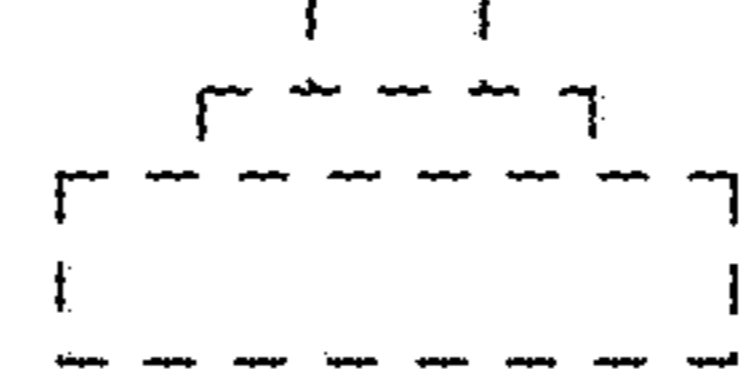


Fig. 8



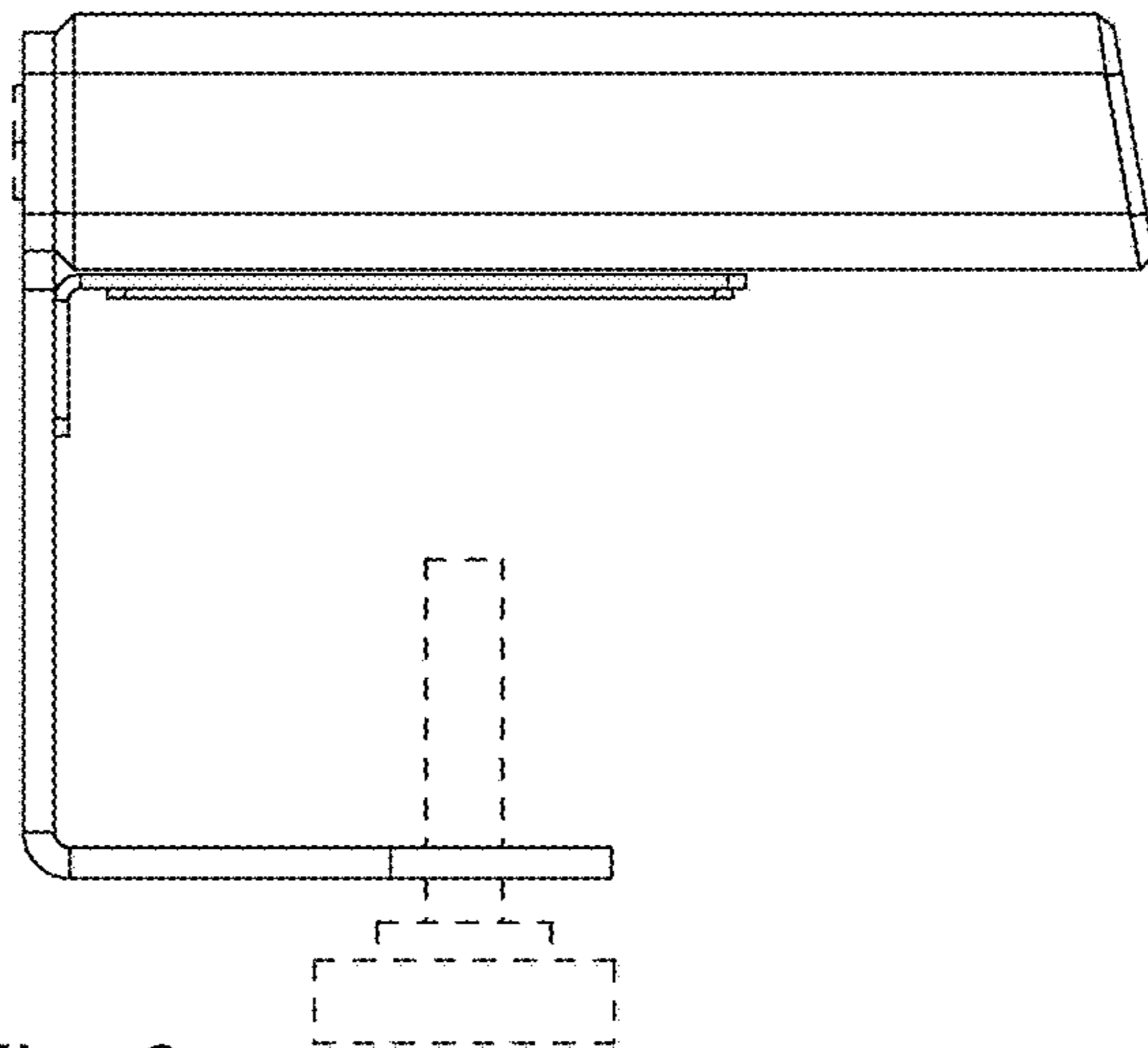


Fig. 9

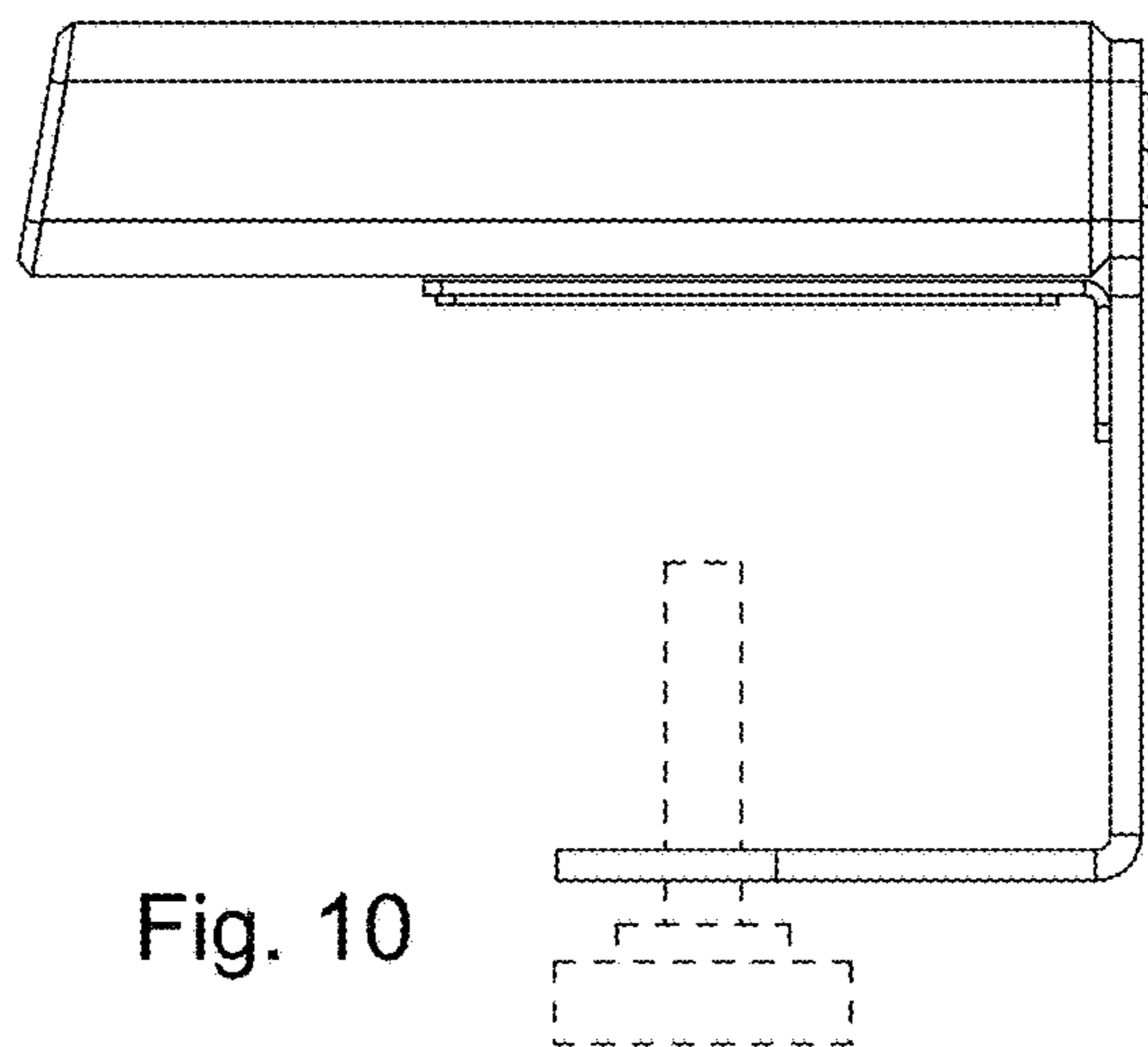


Fig. 10