



US00D840346S

(12) **United States Design Patent** (10) **Patent No.:** **US D840,346 S**
Weeks (45) **Date of Patent:** **** Feb. 12, 2019**

(54) **PROTECTIVE ELECTRICAL WIRING DEVICE**

(71) Applicant: **Pass & Seymour, Inc.**, Syracuse, NY (US)

(72) Inventor: **Richard Weeks**, Little York, NY (US)

(73) Assignee: **Pass & Seymour, Inc.**, Syracuse, NY (US)

(**) Term: **15 Years**

(21) Appl. No.: **29/534,541**

(22) Filed: **Jul. 29, 2015**

(51) **LOC (11) Cl.** **13-03**

(52) **U.S. Cl.**
USPC **D13/139.3**

(58) **Field of Classification Search**
USPC ... D13/139.1–139.8, 137.1–137.4, 147, 152;
361/42
CPC H01H 71/62; H01H 73/14; H05B 33/0818;
G02B 6/0096
See application file for complete search history.

(56) **References Cited**

U.S. PATENT DOCUMENTS

D419,531 S *	1/2000	Keung	D13/139.3
7,031,125 B2 *	4/2006	Germain	H01H 73/14 361/42
D523,397 S *	6/2006	Maglionico	D13/137.2
7,209,330 B2 *	4/2007	DiSalvo	H01H 71/62 361/42

D542,223 S *	5/2007	Bazayev	D13/139.3
D545,272 S *	6/2007	Zhang	D13/139.3
D601,962 S *	10/2009	Song	D13/139.6
D682,218 S *	5/2013	Takata	D13/152
D686,159 S *	7/2013	Takahashi	D13/147
D686,577 S *	7/2013	Flagello	D13/152
D689,024 S *	9/2013	Takata	D13/152
D715,225 S *	10/2014	Mininger	D13/139.4
D719,512 S *	12/2014	Roy	D13/139.6
D722,562 S *	2/2015	Restrepo	D13/139.1
D731,432 S *	6/2015	Murphy	D13/139.1
D744,423 S *	12/2015	Junko	D13/139.1
D744,950 S *	12/2015	Murphy	D13/139.1
D744,952 S *	12/2015	Ni	D13/139.3
D792,848 S *	7/2017	Poikolainen	D13/139.4
D800,662 S *	10/2017	Wu	D13/137.1
2012/0292991 A1	11/2012	Dodal et al.		
2017/0184292 A1 *	6/2017	Weeks	G02B 6/0096
2017/0359882 A1 *	12/2017	Weeks	H05B 33/0818

* cited by examiner

Primary Examiner — Rhea Shields

(74) *Attorney, Agent, or Firm* — Bond Schoeneck & King, PLLC; George R. McGuire; Fredrick Price

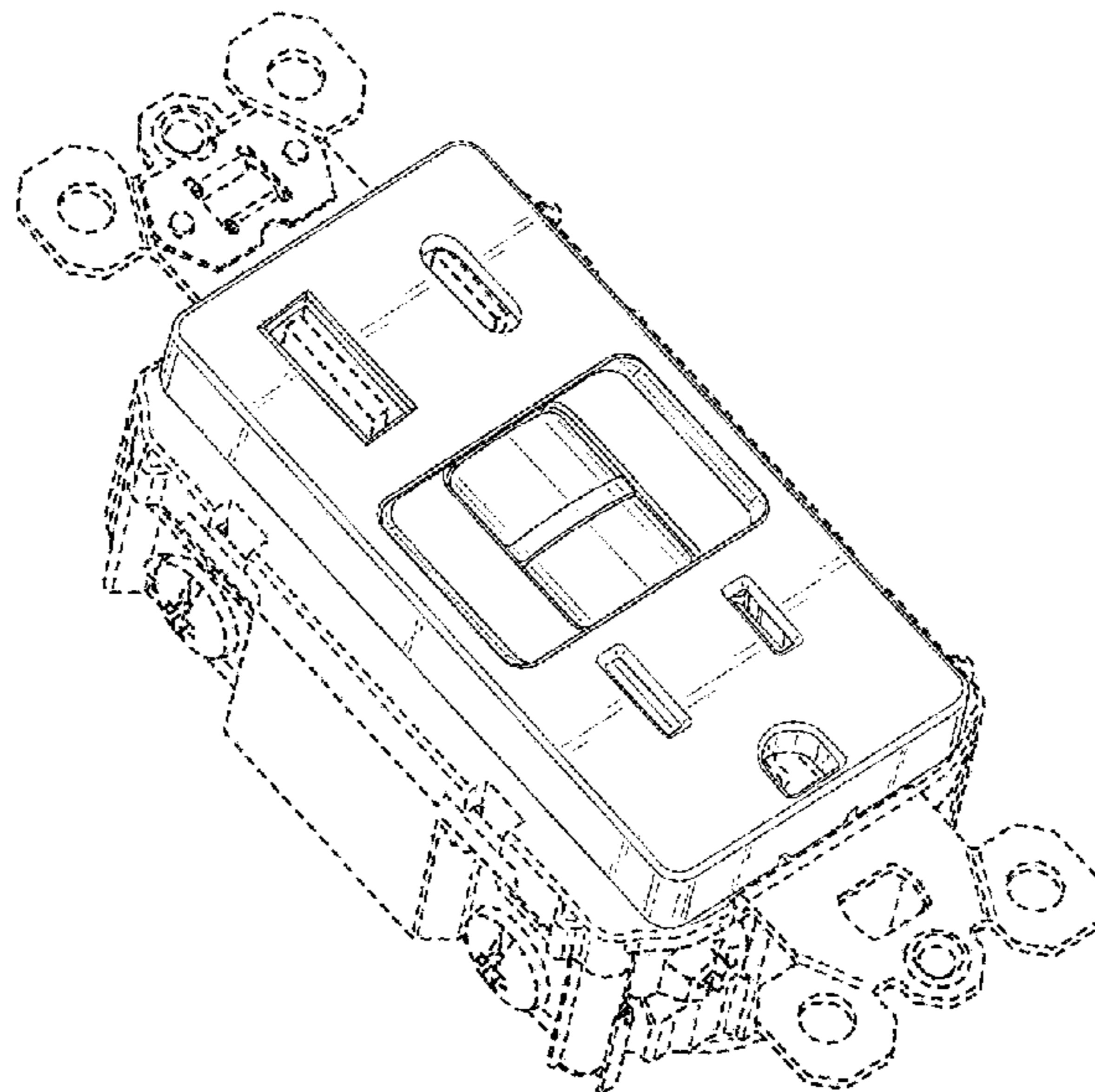
(57) **CLAIM**

The ornamental design for a protective electrical wiring device, as shown and described.

DESCRIPTION

FIG. 1 is a top perspective view of the protective electrical wiring device, showing my new design; and, FIG. 2 is a top plan view thereof. In the drawings, the broken lines are for the purpose of illustrating environment only and form no part of the claimed design.

1 Claim, 1 Drawing Sheet



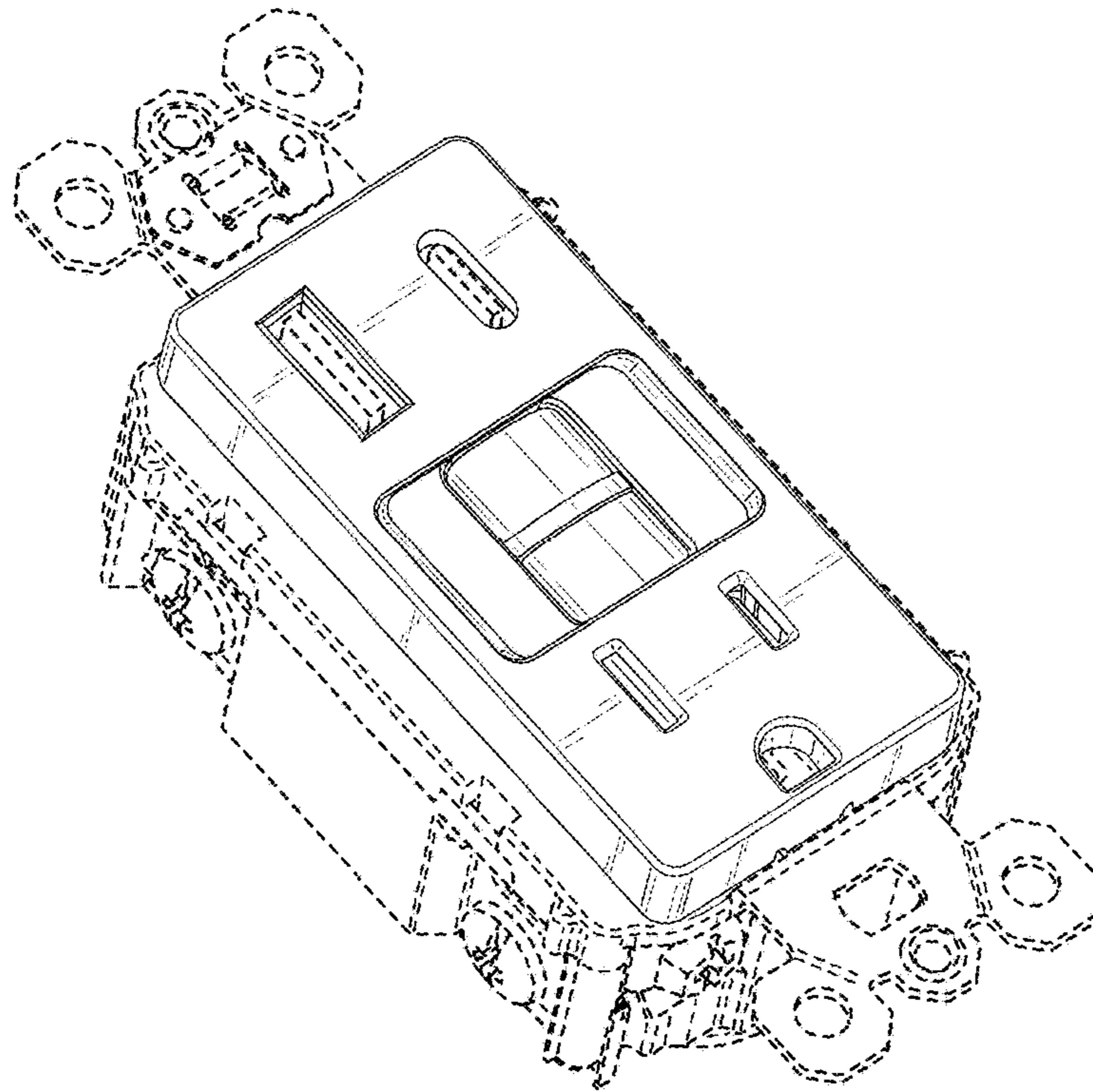


FIG. 1

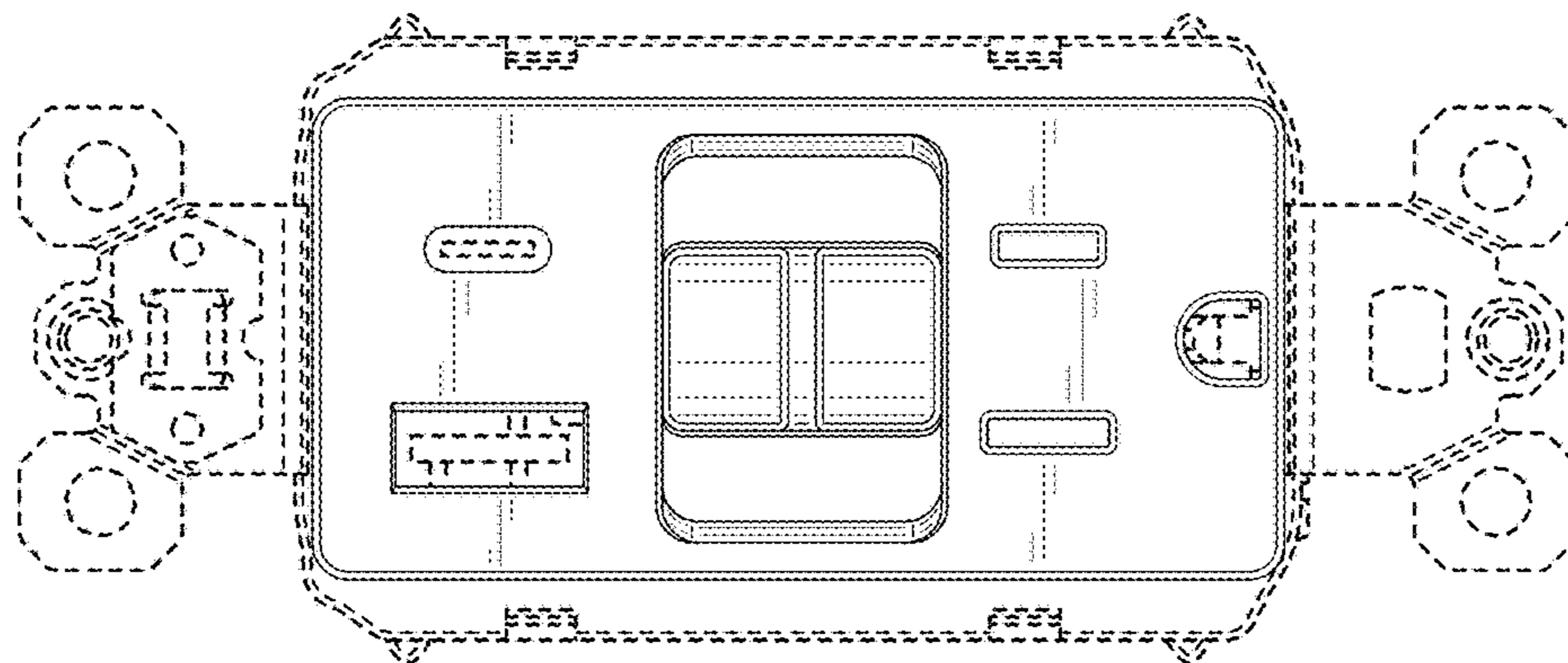


FIG. 2