



US00D840345S

(12) **United States Design Patent**
Chen et al.

(10) **Patent No.:** **US D840,345 S**

(45) **Date of Patent:** **** Feb. 12, 2019**

(54) **CONNECTOR RECEPTACLE**
(71) Applicant: **Molex, LLC**, Lisle, IL (US)
(72) Inventors: **Lie Chen**, Maumelle, AZ (US); **Philip Dambach**, Naperville, IL (US); **Edmund Peter Poh**, Lisle, IL (US); **Marie Poff Cain**, Maumelle, AZ (US); **David L. Brunker**, Naperville, IL (US)

D468,698 S * 1/2003 Hwang D13/154
D481,677 S * 11/2003 Hwang D13/123
D491,525 S * 6/2004 Hwang D13/123
D507,228 S * 7/2005 Matthies D12/223
7,727,018 B2 * 6/2010 Bright H01R 13/741
439/607.28
8,342,881 B2 * 1/2013 Lang H01R 9/038
439/607.01
9,287,640 B2 * 3/2016 Hirschy H01R 12/585
D817,520 S * 5/2018 Gonzales D25/126

(Continued)

(73) Assignee: **Molex, LLC**, Lisle, IL (US)

Primary Examiner — Angela J Lee

(**) Term: **15 Years**

Assistant Examiner — Shawn T Gingrich

(21) Appl. No.: **29/627,178**

(74) *Attorney, Agent, or Firm* — Banner & Witcoff, Ltd.

(22) Filed: **Nov. 22, 2017**

(51) **LOC (11) Cl.** **13-03**

(52) **U.S. Cl.**

USPC **D13/133; D13/154**

(58) **Field of Classification Search**

USPC D13/107, 110, 118, 123, 133, 148–151,
D13/153–156, 173, 184, 199; D6/510,
D6/705, 706; D8/349, 374, 382, 400;
D25/119, 126

CPC H01R 13/00; H01R 13/40; H01R 13/633;
H01R 13/639; H01R 13/6581; H01R
12/70; H01R 12/7076; H01R 13/46;
H01R 13/62; H01R 13/627; H01R
13/646; H01R 13/648; H01R 13/66;
H01R 31/06; H01R 31/065; G02B 6/36;
G02B 6/38; H05K 1/14; H05K 5/00;
H05K 7/00; H05K 7/02; H05K 7/20;
H05K 9/00

See application file for complete search history.

(56) **References Cited**

U.S. PATENT DOCUMENTS

D464,631 S * 10/2002 Billman D13/184
D468,269 S * 1/2003 Hwang D13/154
D468,270 S * 1/2003 Hwang D13/154

(57) **CLAIM**

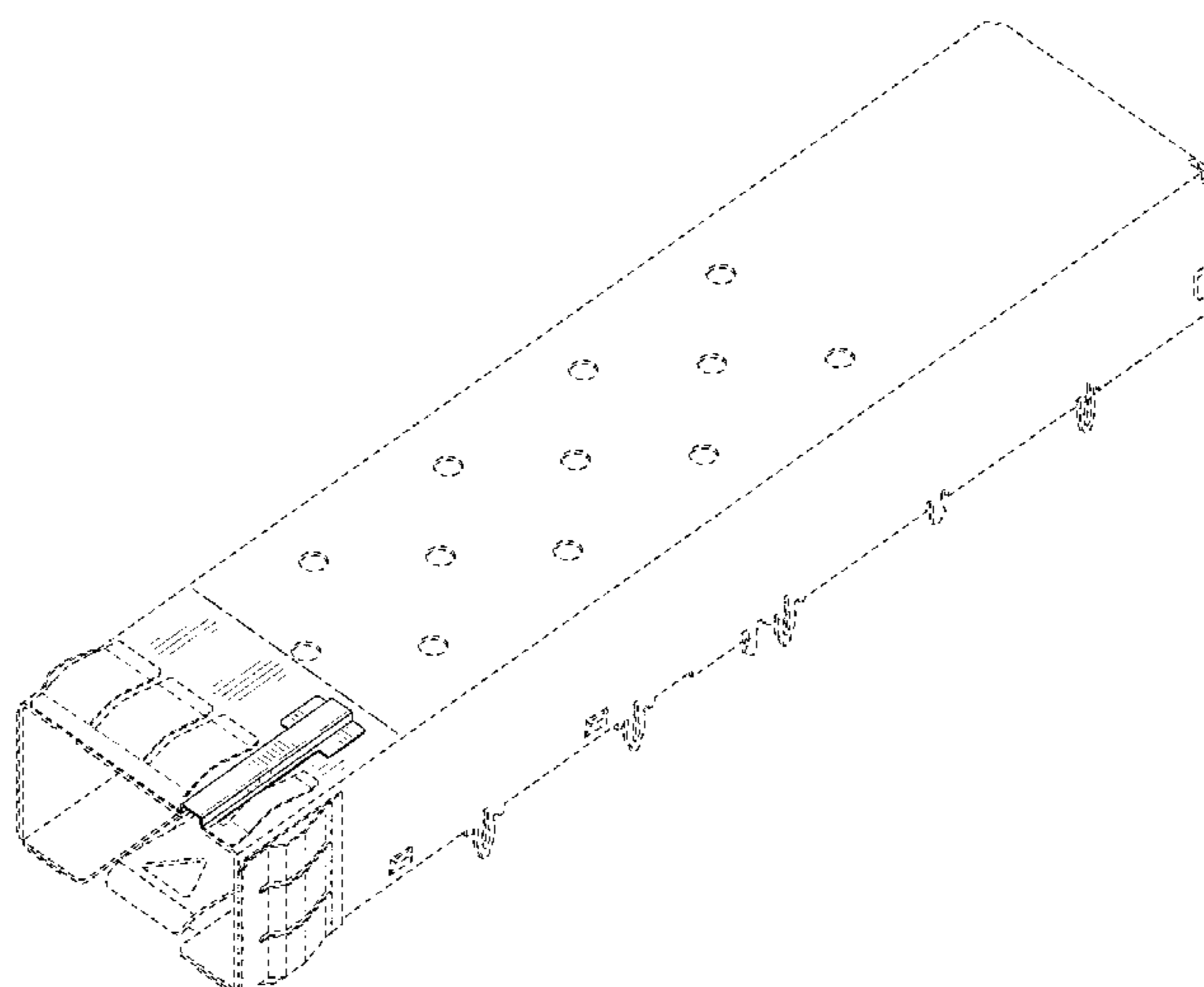
The ornamental design for a connector receptacle, as shown and described.

DESCRIPTION

FIG. 1 is a front perspective view of a connector receptacle showing our new design;
FIG. 2 is a top view thereof;
FIG. 3 is a right side view thereof;
FIG. 4 is a left side view thereof;
FIG. 5 is a front view thereof;
FIG. 6 is a rear view thereof;
FIG. 7 is a front perspective view of an alternate embodiment of the connector receptacle showing our new design;
FIG. 8 is a top view thereof;
FIG. 9 is a right side view thereof;
FIG. 10 is a left side view thereof;
FIG. 11 is a front view thereof; and,
FIG. 12 is a rear view thereof.

The Dash-Dot broken line adjacent to the shaded area represents a boundary of the design that forms no part of the claimed design. The broken line showing of the remainder of the connector receptacle represents subject matter that forms no part of the claimed design.

1 Claim, 6 Drawing Sheets



(56)

References Cited

U.S. PATENT DOCUMENTS

2004/0185696 A1* 9/2004 Long H01R 13/627
439/160
2007/0066137 A1* 3/2007 Yang H01R 43/18
439/607.01
2009/0124127 A1* 5/2009 Zhang H01R 13/6582
439/607.38
2010/0079971 A1* 4/2010 Gillespie H01R 13/65802
361/816
2011/0306253 A1* 12/2011 Kumamoto H01R 12/7064
439/892
2012/0190224 A1* 7/2012 Wu H01R 13/633
439/157
2013/0115800 A1* 5/2013 Chan H01R 13/6335
439/372
2015/0171545 A1* 6/2015 Yu H01R 13/11
439/485
2015/0180168 A1* 6/2015 Han H01R 13/506
439/353
2015/0200495 A1* 7/2015 Yu H01R 13/6583
439/607.55
2016/0322758 A1* 11/2016 Wan H01R 13/6583
2018/0166827 A1* 6/2018 Little G02B 6/4293

* cited by examiner

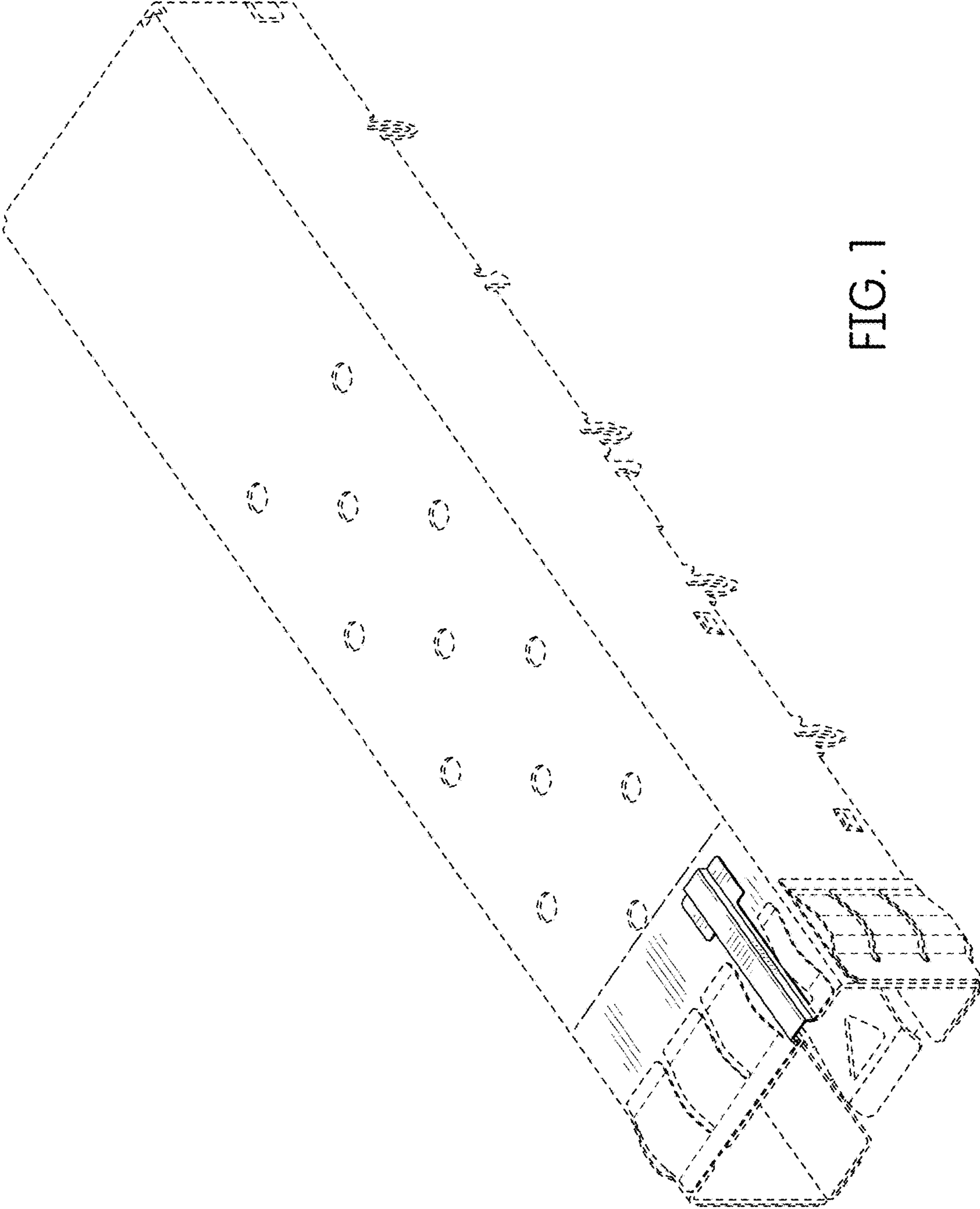


FIG. 1

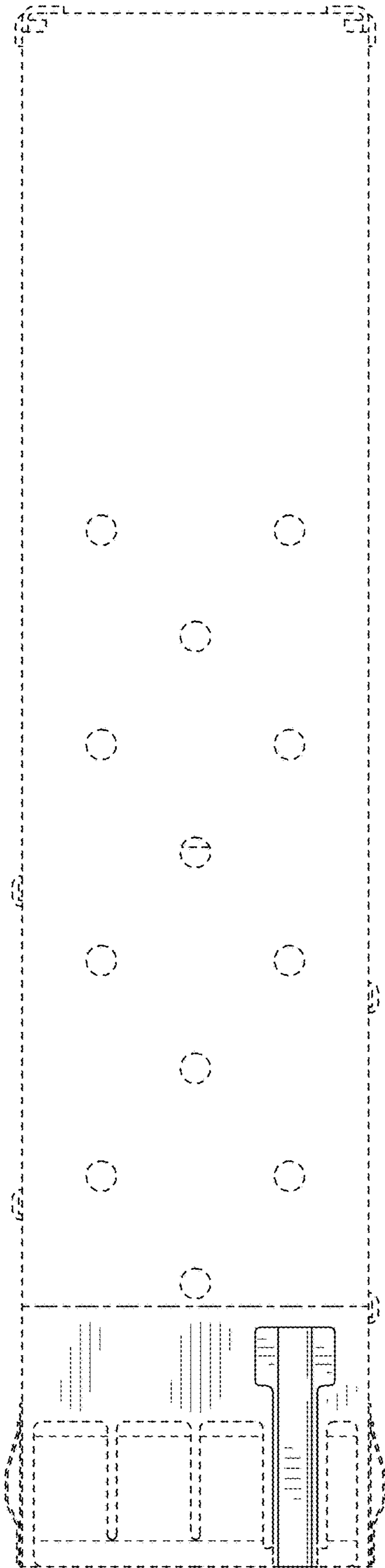


FIG. 2

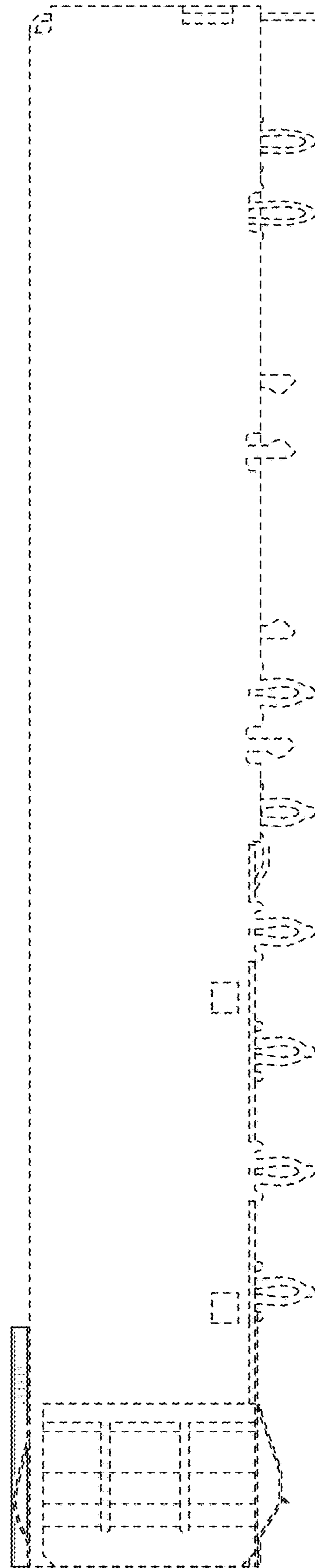


FIG. 3

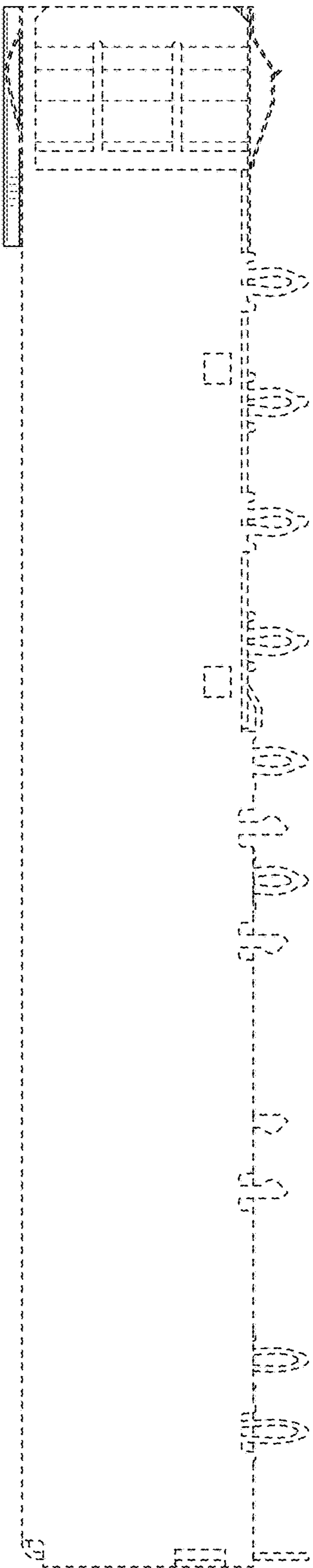


FIG. 4

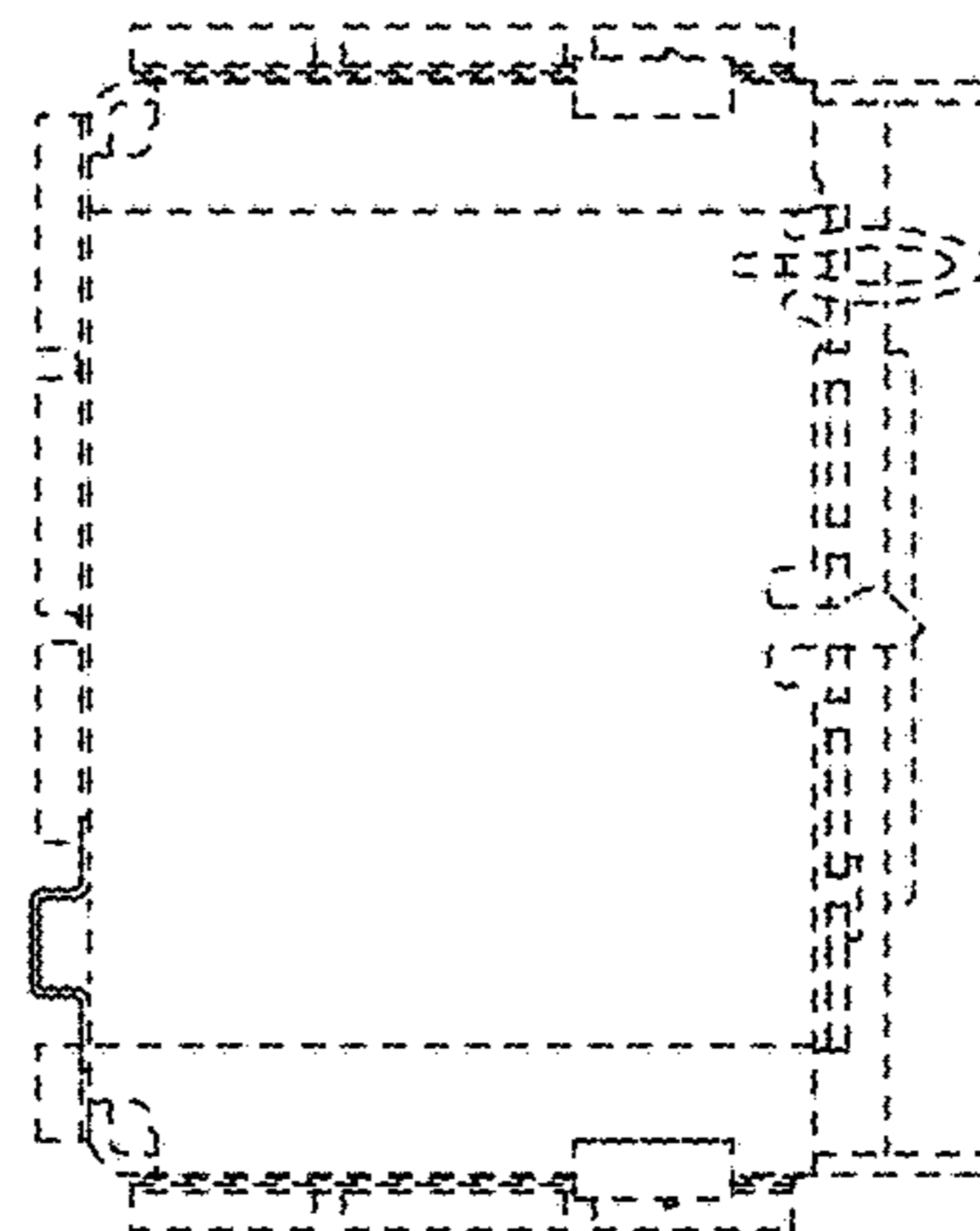


FIG. 6

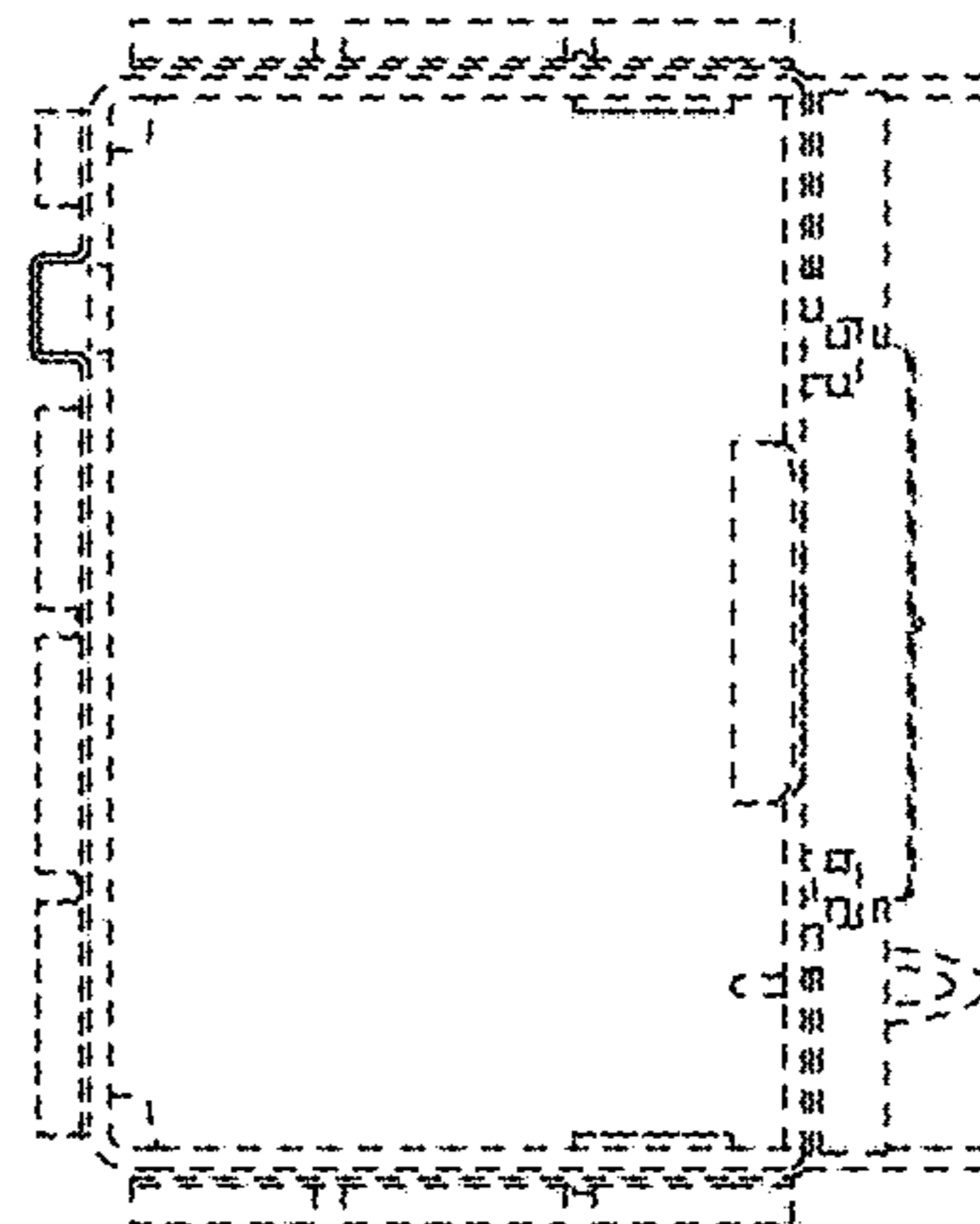


FIG. 5

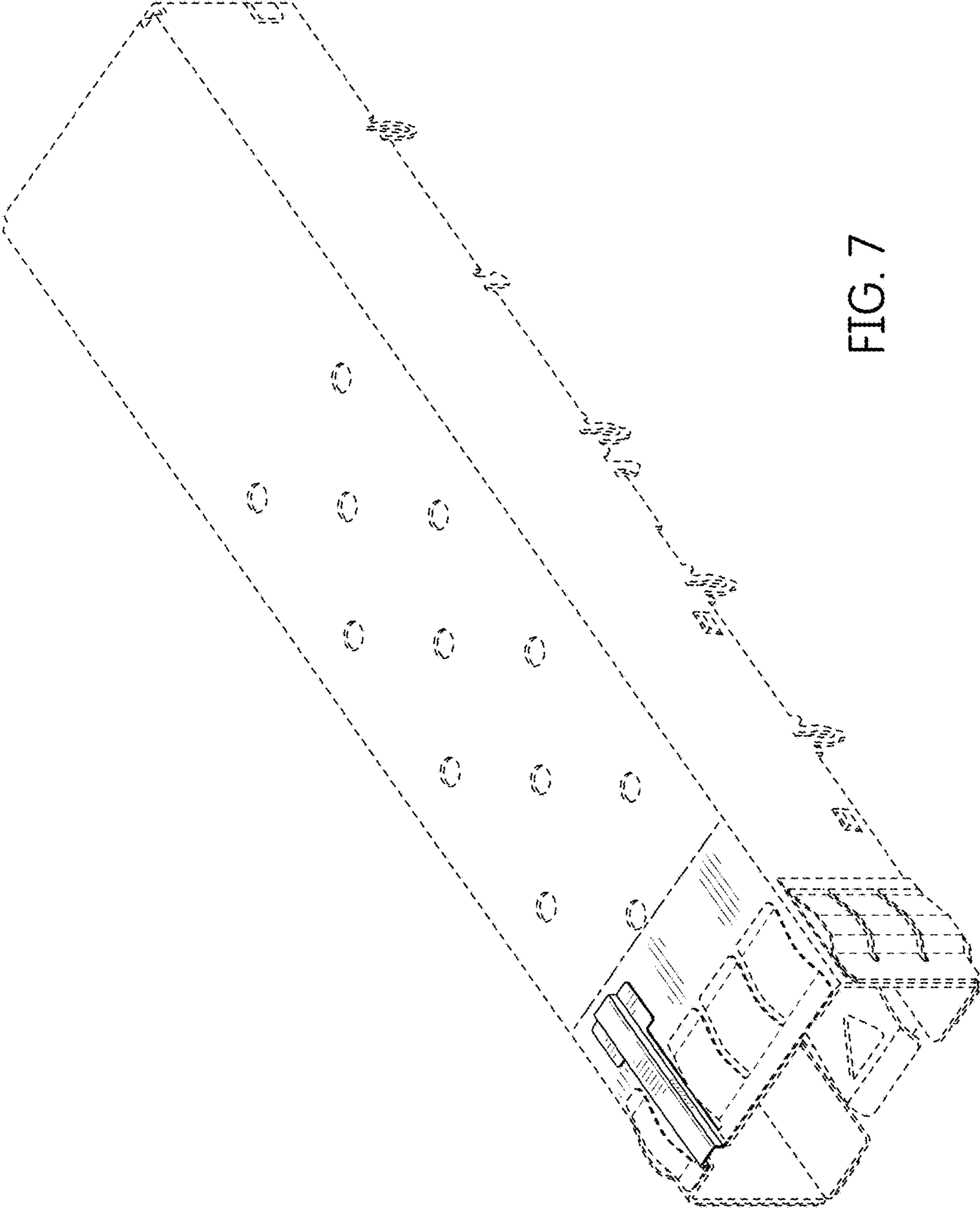


FIG. 7

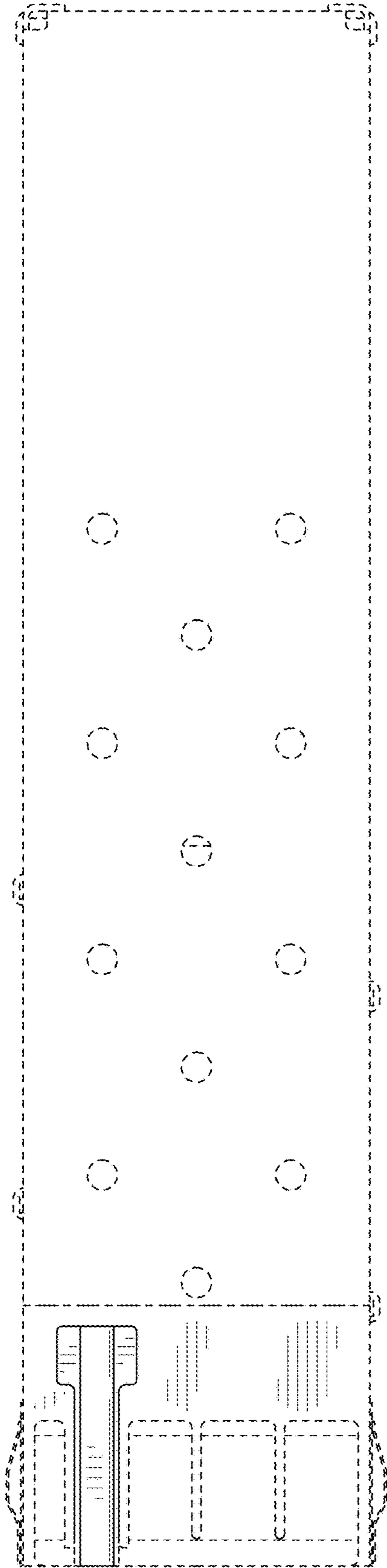


FIG. 8

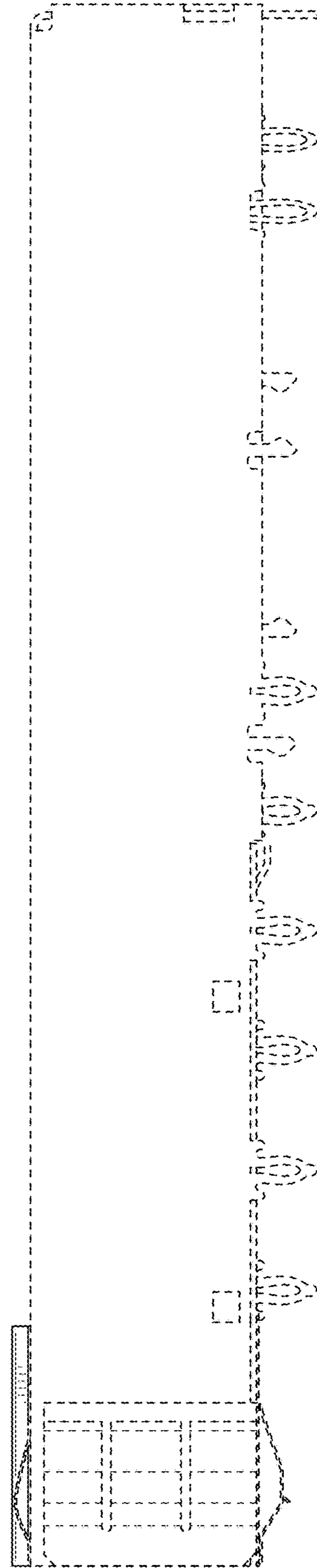


FIG. 9

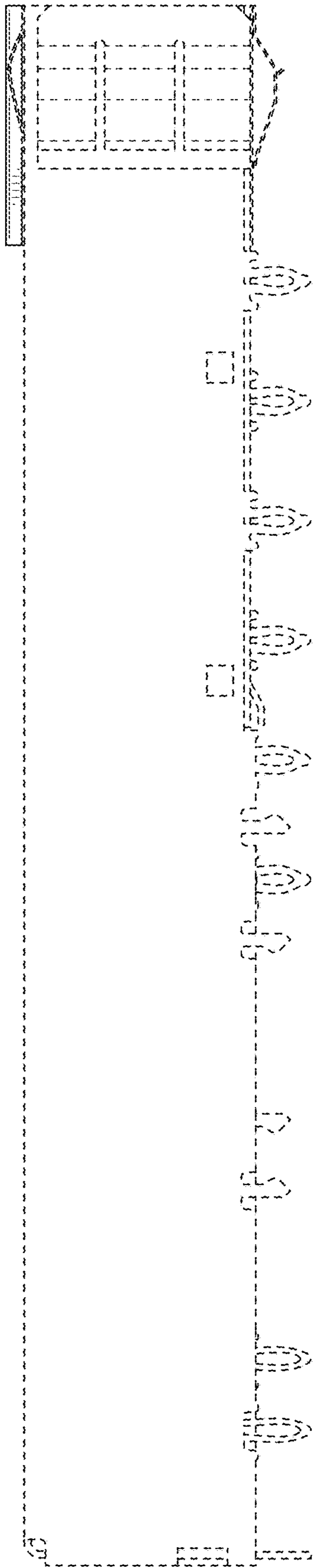


FIG. 10

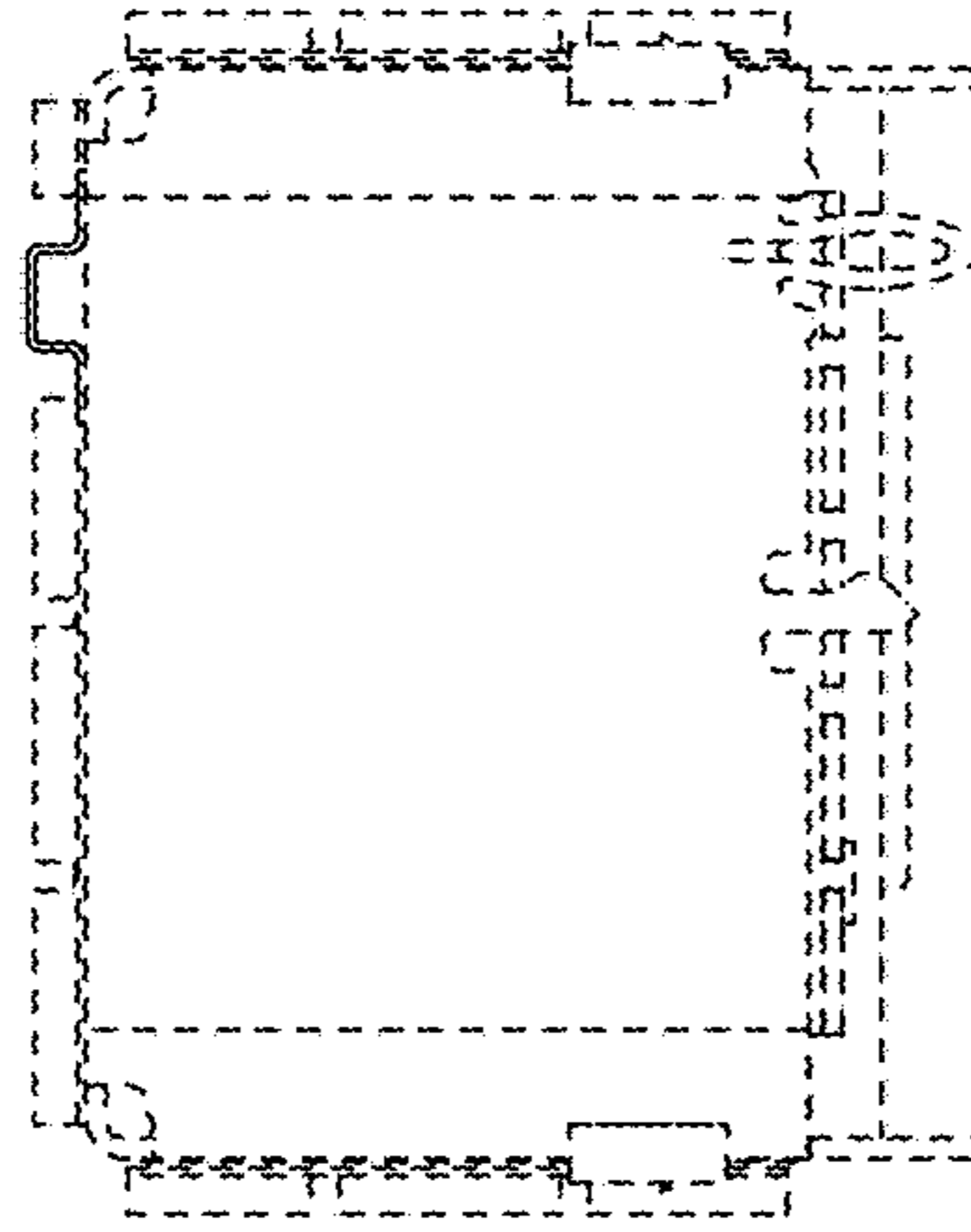


FIG. 11

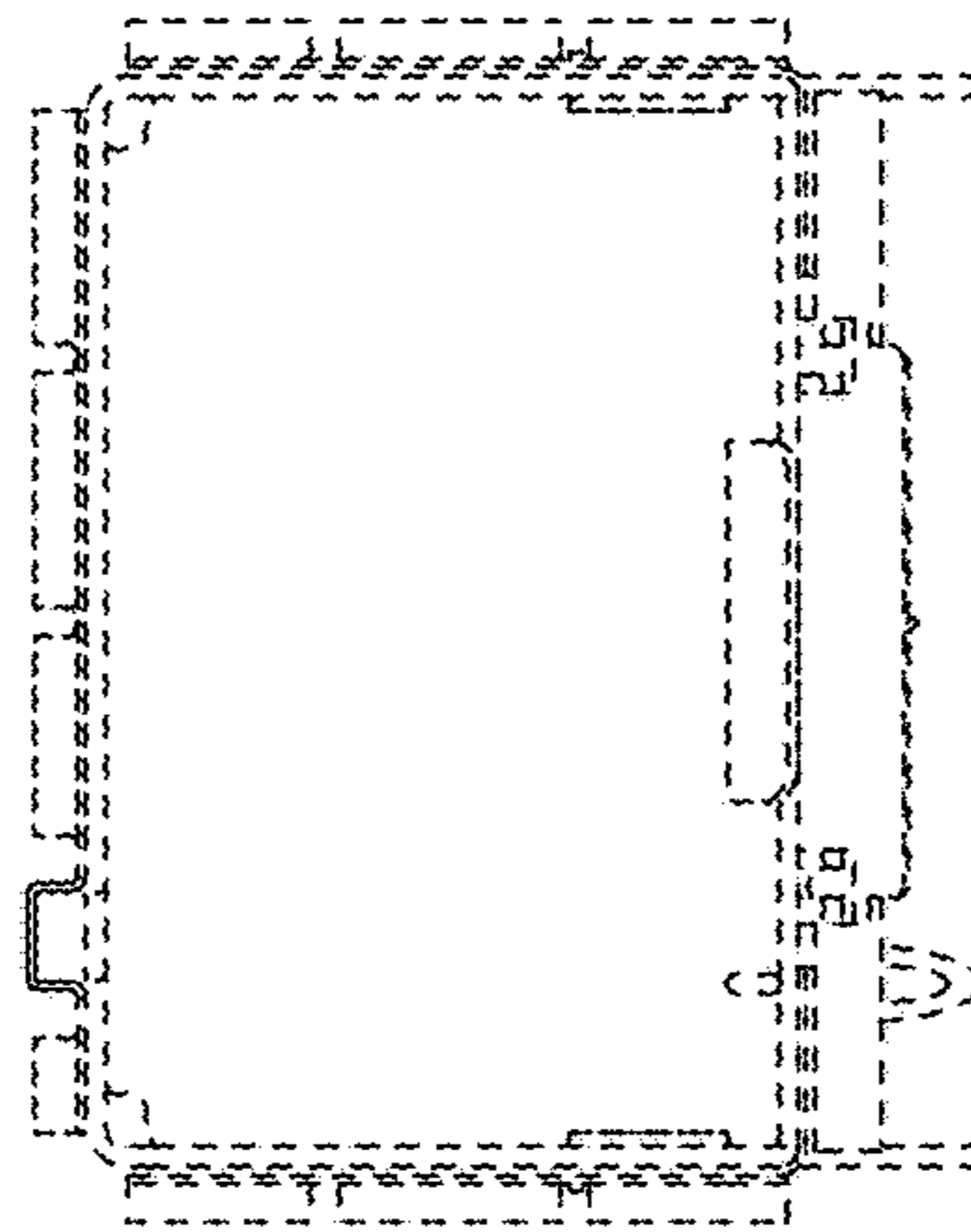


FIG. 12