

US00D840344S

(12) **United States Design Patent** (10) **Patent No.:** **US D840,344 S**
Chen et al. (45) **Date of Patent:** **** Feb. 12, 2019**

(54) **CONNECTOR RECEPTACLE**
(71) Applicant: **Molex, LLC**, Lisle, IL (US)
(72) Inventors: **Lie Chen**, Maumelle, AZ (US); **Philip Dambach**, Naperville, IL (US); **Edmund Peter Poh**, Lisle, IL (US); **Marie Poff Cain**, Maumelle, AZ (US); **David L. Brunker**, Naperville, IL (US)

(73) Assignee: **Molex, LLC**, Lisle, IL (US)

(**) Term: **15 Years**

(21) Appl. No.: **29/627,177**

(22) Filed: **Nov. 22, 2017**

(51) **LOC (11) Cl.** **13-03**

(52) **U.S. Cl.**
USPC **D13/133; D13/154**

(58) **Field of Classification Search**
USPC D13/107, 110, 118, 123, 133, 148-151, D13/153-156, 173, 184, 199; D6/510, D6/705, 706; D8/349, 374, 382, 400; D25/119, 126
CPC H01R 13/00; H01R 13/40; H01R 13/633; H01R 13/639; H01R 13/6581; H01R 12/70; H01R 12/7076; H01R 13/46; H01R 13/62; H01R 13/627; H01R 13/646; H01R 13/648; H01R 13/66; H01R 31/06; H01R 31/065; G02B 6/36; G02B 6/38; H05K 1/14; H05K 5/00; H05K 7/00; H05K 7/02; H05K 7/20; H05K 9/00

See application file for complete search history.

(56) **References Cited**

U.S. PATENT DOCUMENTS

D464,631 S * 10/2002 Billman D13/184
D468,269 S * 1/2003 Hwang D13/154
D468,270 S * 1/2003 Hwang D13/154

D468,698 S * 1/2003 Hwang D13/154
D481,677 S * 11/2003 Hwang D13/123
D491,525 S * 6/2004 Hwang D13/123
D507,228 S * 7/2005 Matthies D12/223
7,727,018 B2 * 6/2010 Bright H01R 13/741
439/607.28
8,342,881 B2 * 1/2013 Lang H01R 9/038
439/607.01
9,287,640 B2 * 3/2016 Hirschy H01R 12/585
D817,520 S * 5/2018 Gonzales D25/126
2004/0185696 A1 * 9/2004 Long H01R 13/627
439/160

(Continued)

Primary Examiner — Angela J Lee

Assistant Examiner — Shawn T Gingrich

(74) *Attorney, Agent, or Firm* — Banner & Witcoff, Ltd.

(57) **CLAIM**

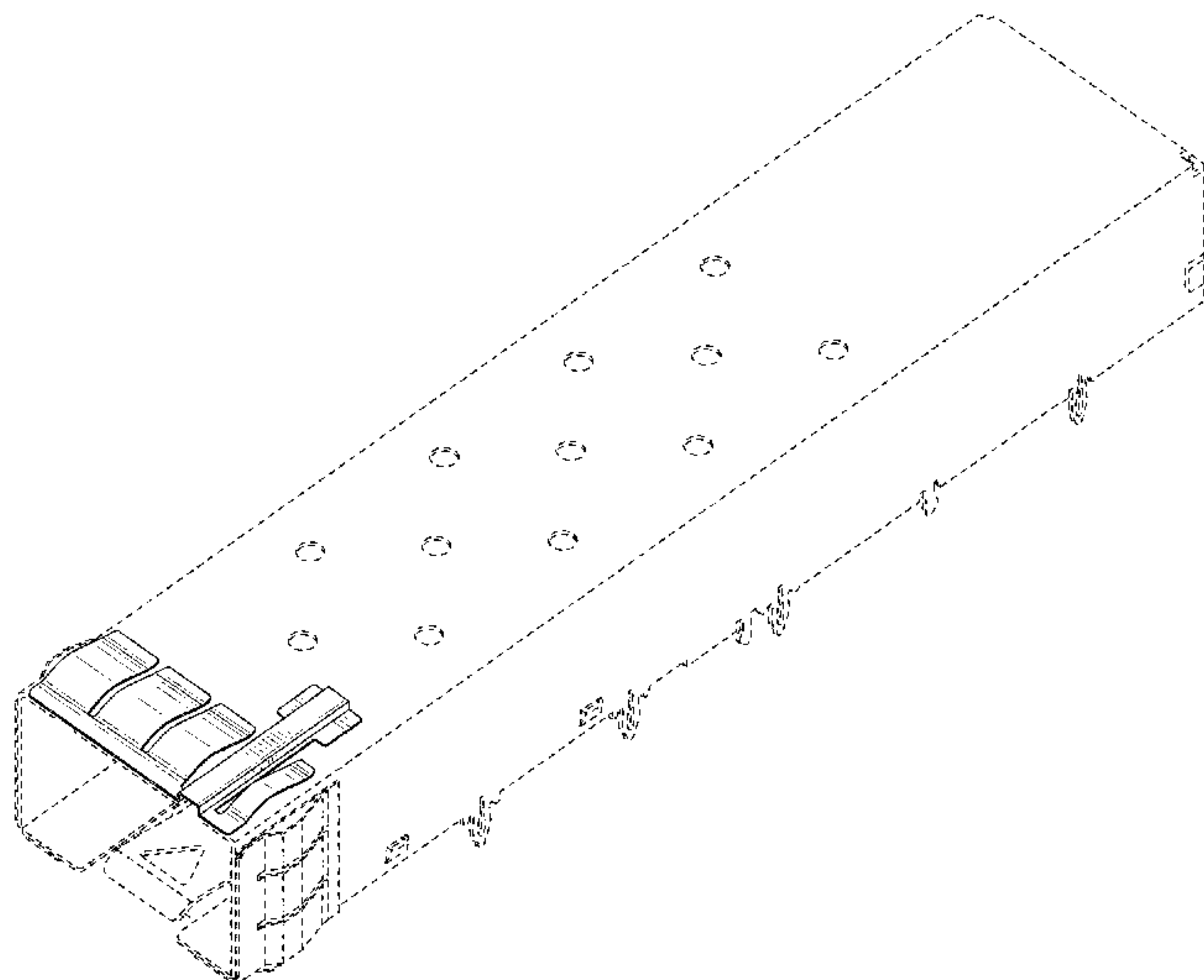
The ornamental design for a connector receptacle, as shown and described.

DESCRIPTION

FIG. 1 is a front perspective view of a connector receptacle showing our new design;
FIG. 2 is a top view thereof;
FIG. 3 is a right side view thereof;
FIG. 4 is a left side view thereof;
FIG. 5 is a front view thereof;
FIG. 6 is a rear view thereof;
FIG. 7 is a front perspective view of a mirror image embodiment of the connector receptacle of FIGS. 1-6 showing our new design;
FIG. 8 is a top view thereof;
FIG. 9 is a right side view thereof;
FIG. 10 is a left side view thereof;
FIG. 11 is a front view thereof; and,
FIG. 12 is a rear view thereof.

The broken line showing of the remainder of the connector receptacle represents subject matter that forms no part of the claimed design.

1 Claim, 6 Drawing Sheets



(56)

References Cited

U.S. PATENT DOCUMENTS

2007/0066137 A1* 3/2007 Yang H01R 43/18
439/607.01
2009/0124127 A1* 5/2009 Zhang H01R 13/6582
439/607.38
2010/0079971 A1* 4/2010 Gillespie H01R 13/65802
361/816
2011/0306253 A1* 12/2011 Kumamoto H01R 12/7064
439/892
2012/0190224 A1* 7/2012 Wu H01R 13/633
439/157
2013/0115800 A1* 5/2013 Chan H01R 13/6335
439/372
2015/0171545 A1* 6/2015 Yu H01R 13/11
439/485
2015/0180168 A1* 6/2015 Han H01R 13/506
439/353
2015/0200495 A1* 7/2015 Yu H01R 13/6583
439/607.55
2016/0322758 A1* 11/2016 Wan H01R 13/6583
2018/0166827 A1* 6/2018 Little G02B 6/4293

* cited by examiner

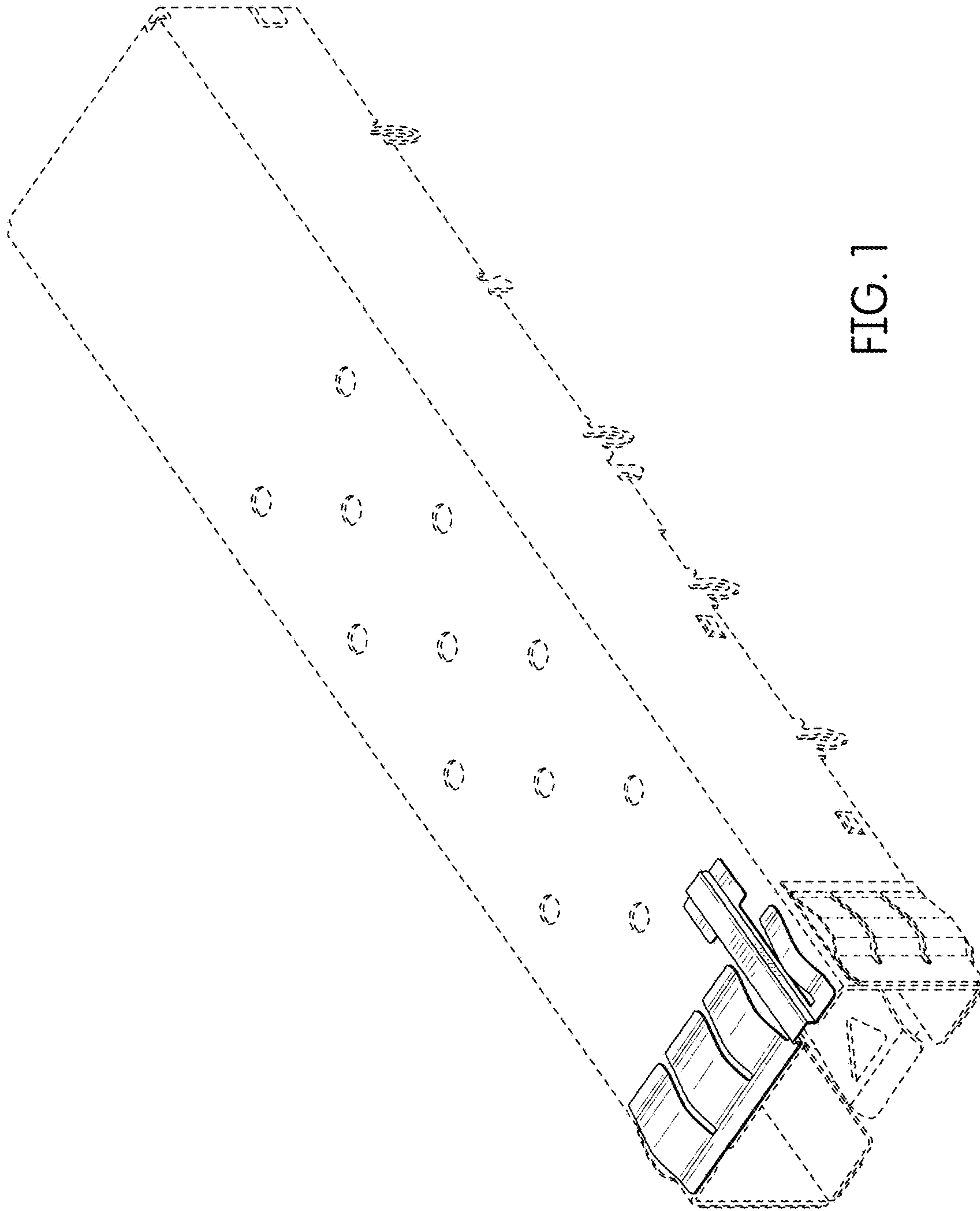


FIG. 1

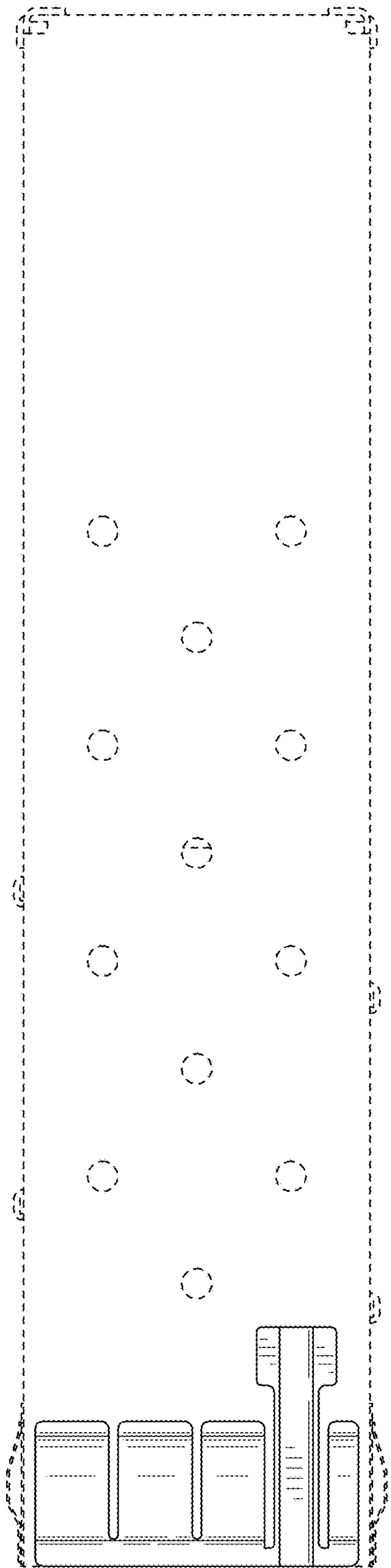


FIG. 2

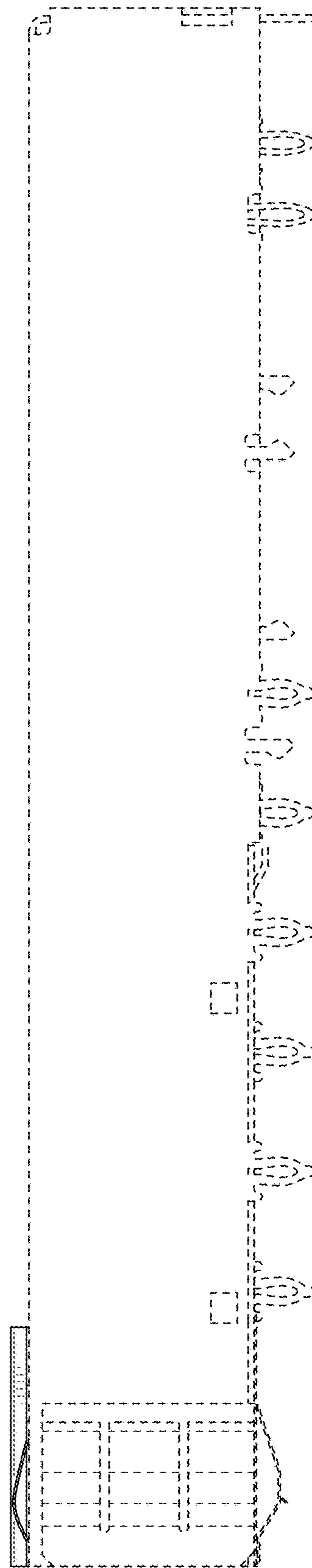


FIG. 3

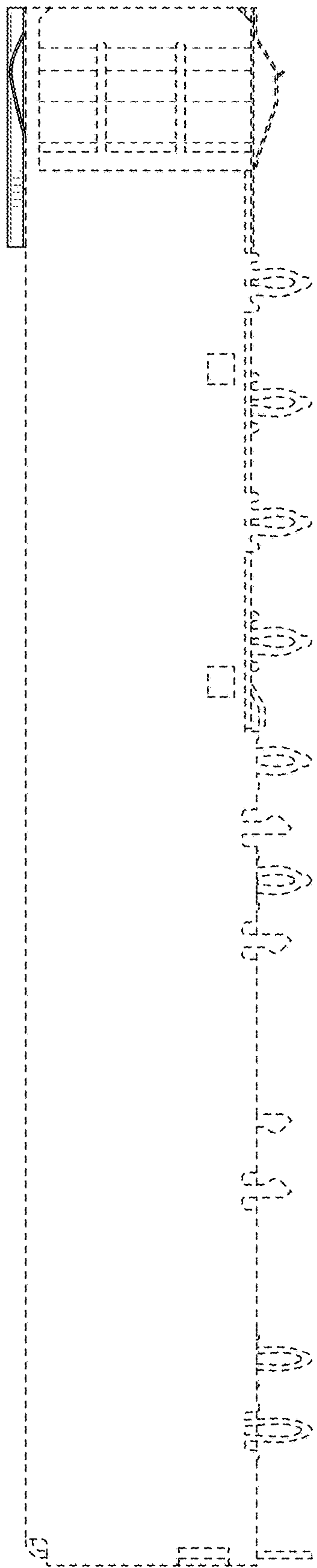


FIG. 4

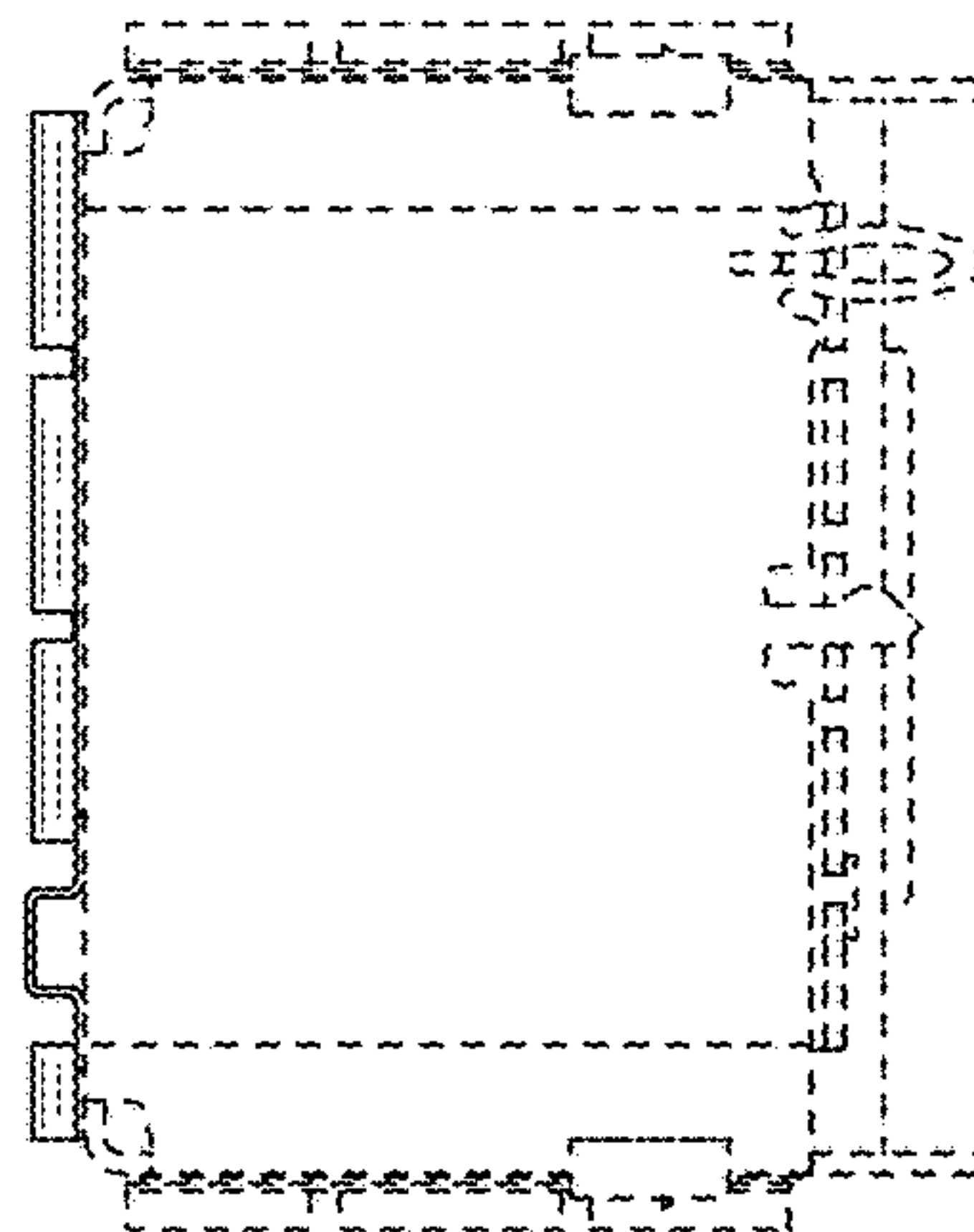


FIG. 5

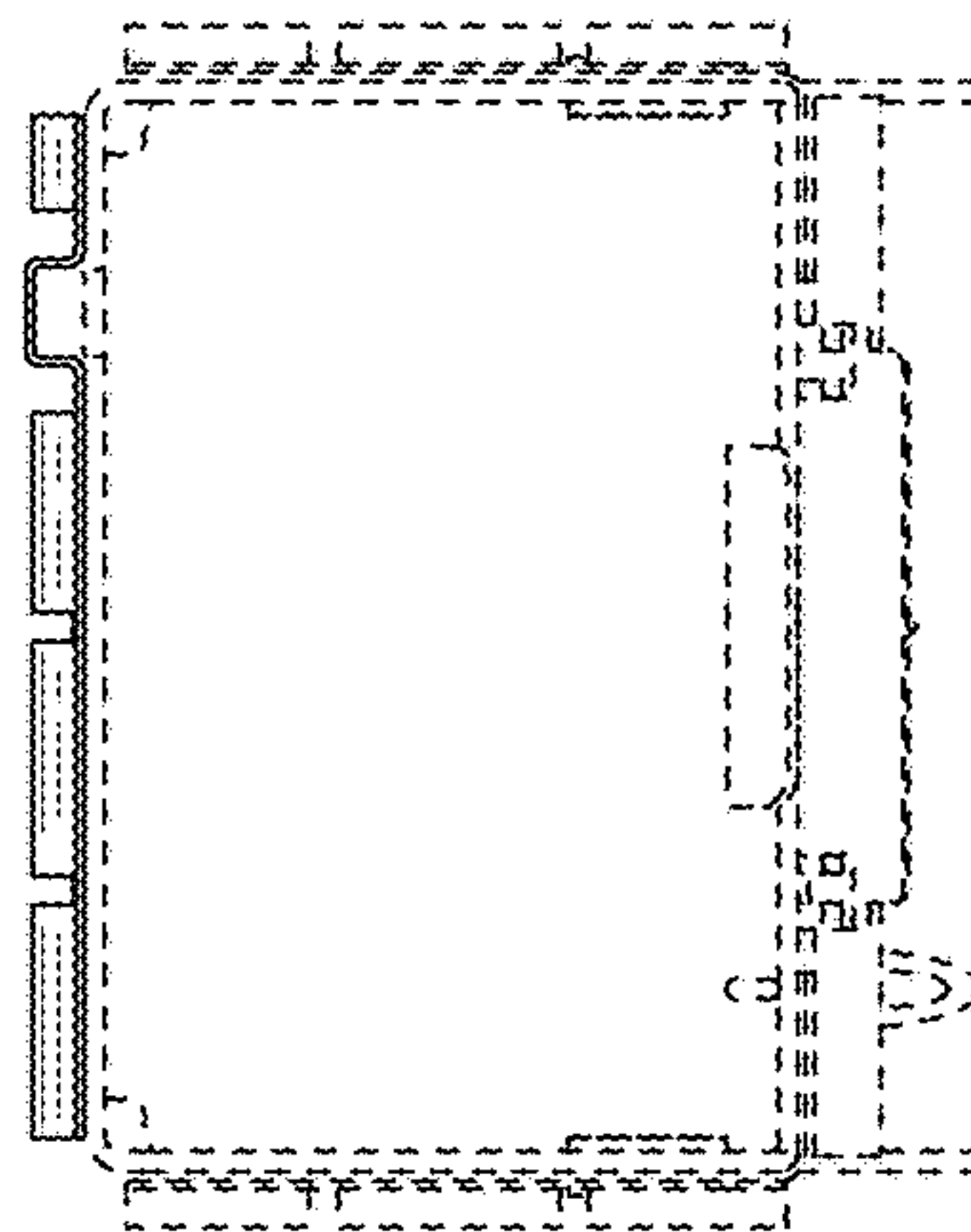


FIG. 6

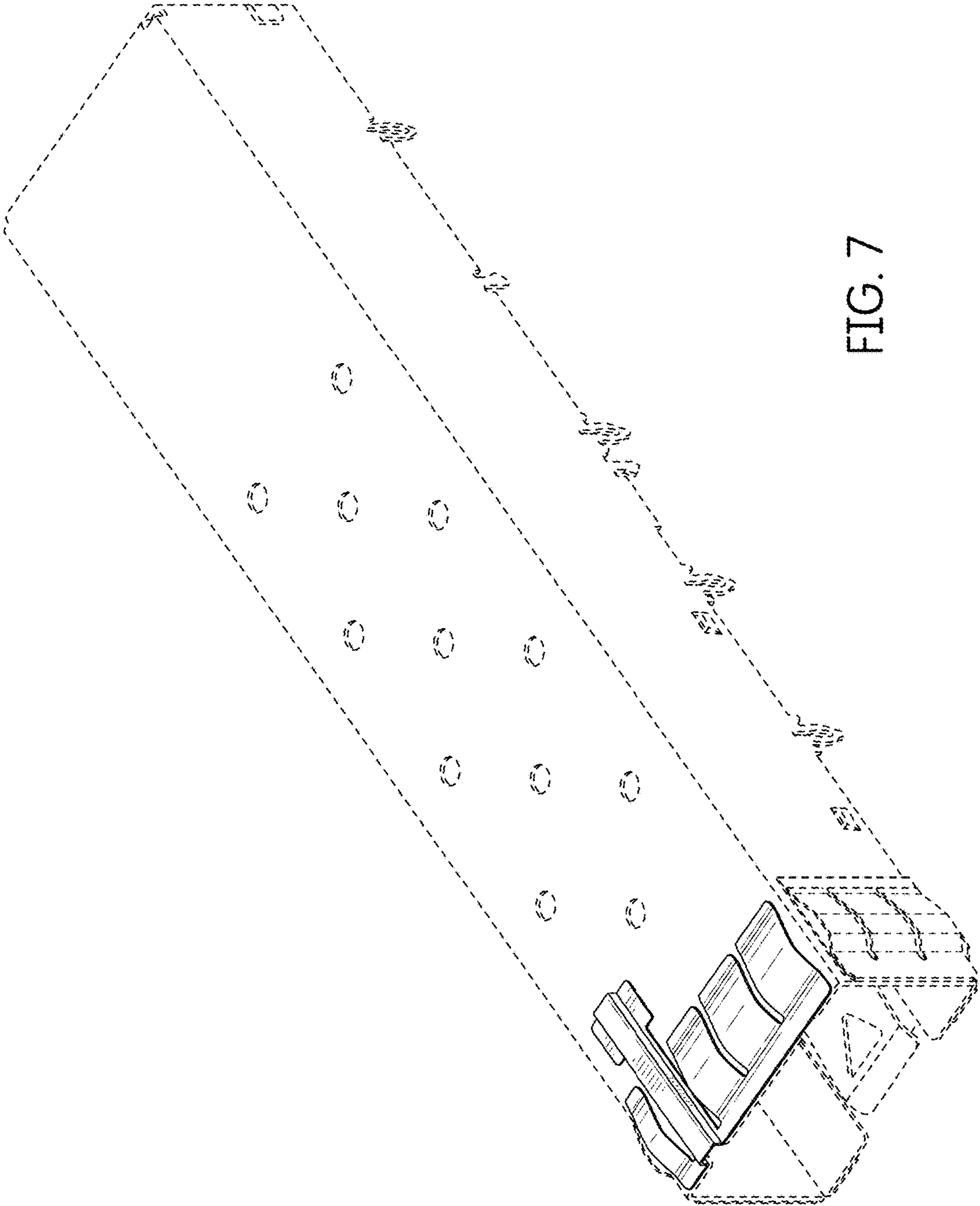


FIG. 7

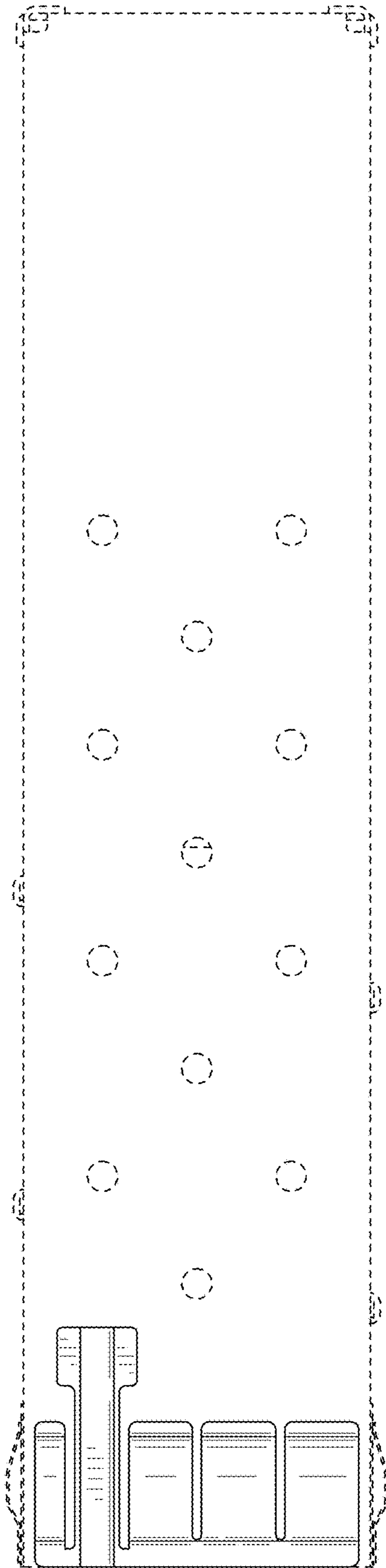


FIG. 8

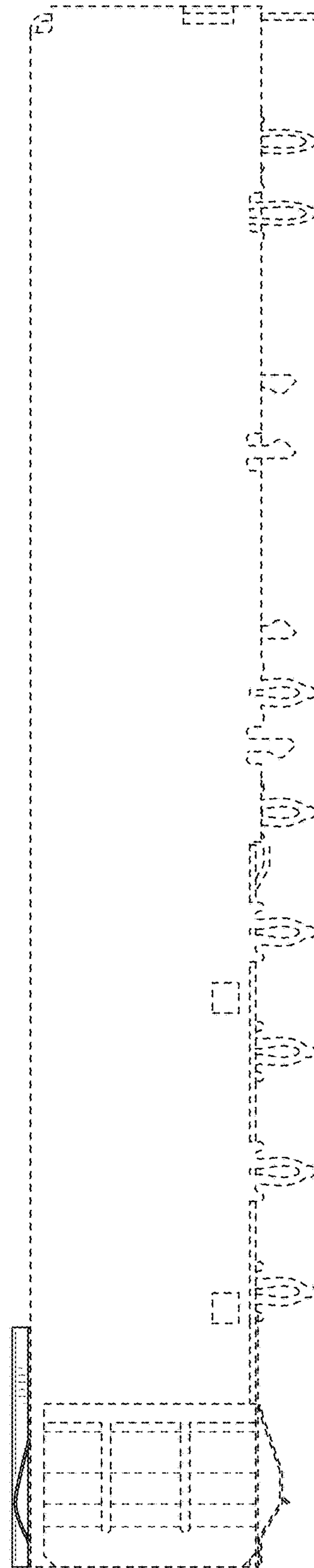


FIG. 9

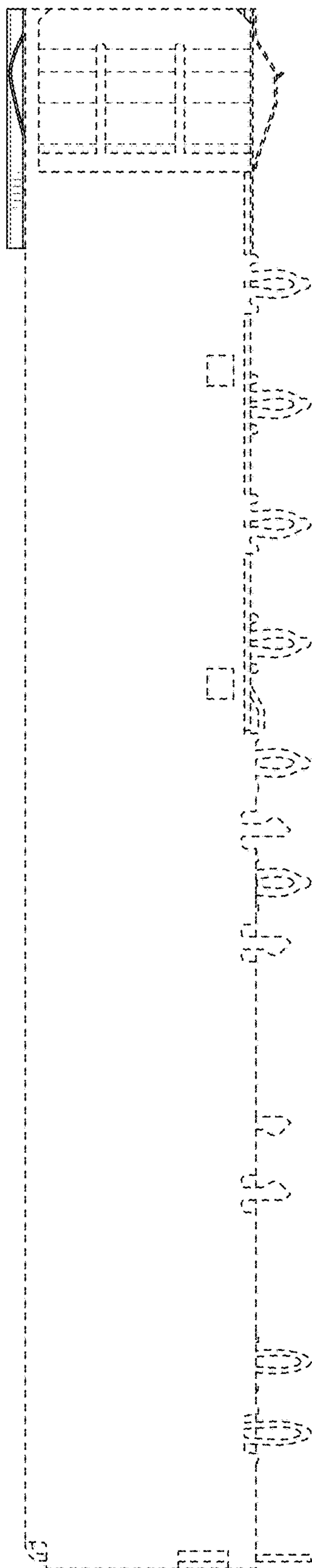


FIG. 10

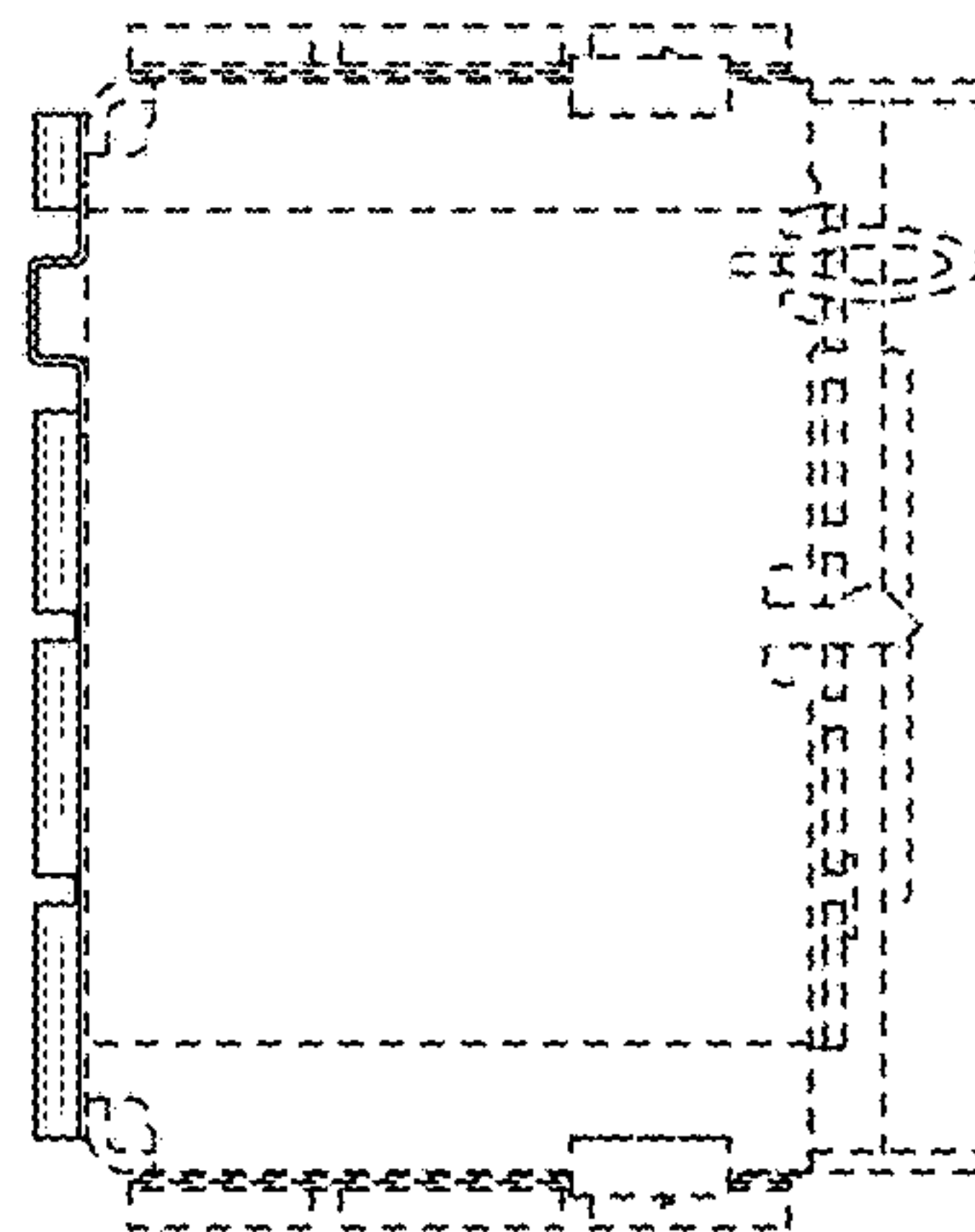


FIG. 11

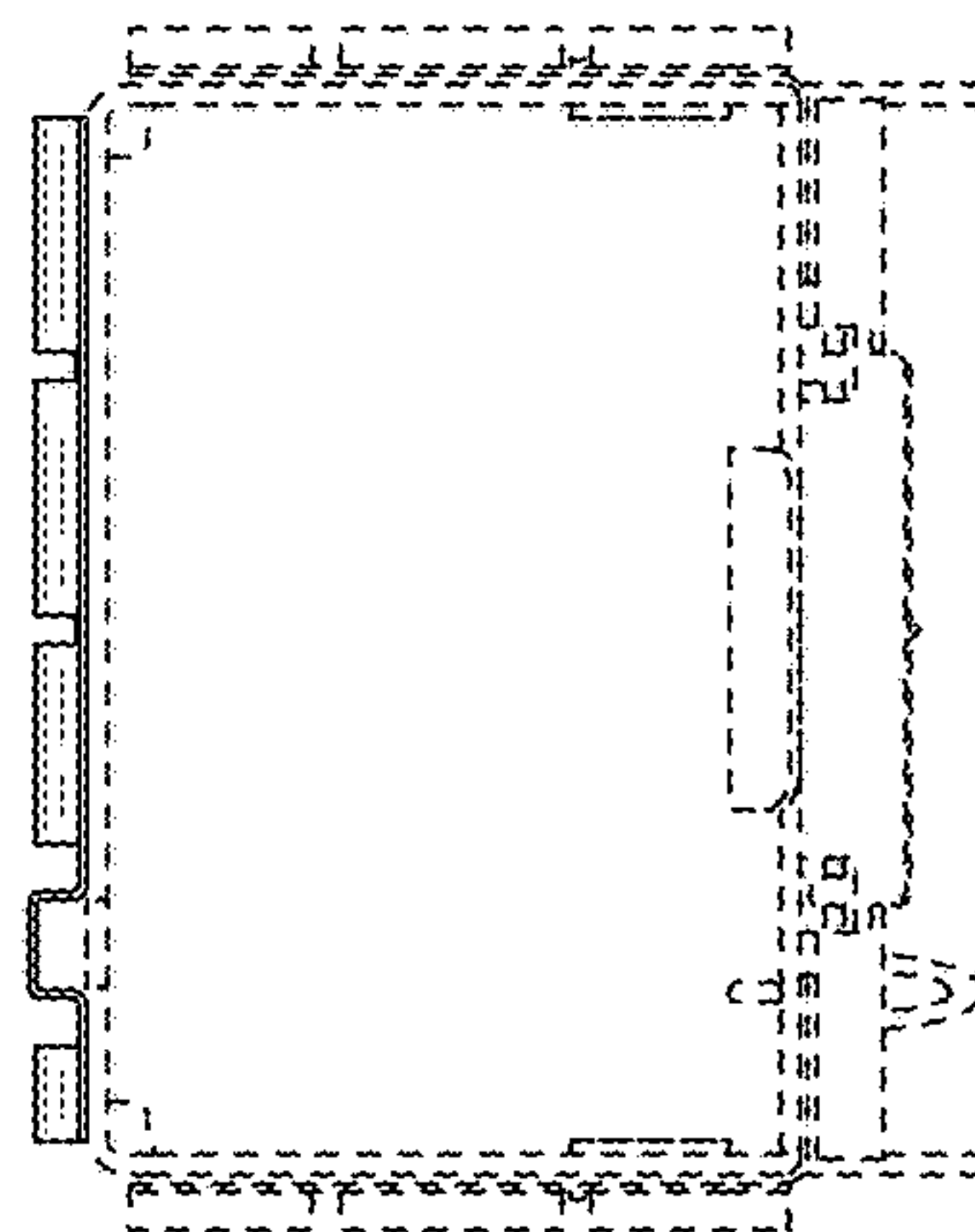


FIG. 12