

US00D840343S

(12) **United States Design Patent**
Chen et al.

(10) **Patent No.:** **US D840,343 S**

(45) **Date of Patent:** **** Feb. 12, 2019**

(54) **CONNECTOR RECEPTACLE**

(71) Applicant: **Molex, LLC**, Lisle, IL (US)

(72) Inventors: **Lie Chen**, Maumelle, AZ (US); **Philip Dambach**, Naperville, IL (US); **Edmund Peter Poh**, Lisle, IL (US); **Marie Poff Cain**, Maumelle, AZ (US); **David L. Brunker**, Naperville, IL (US)

(73) Assignee: **Molex, LLC**, Lisle, IL (US)

(**) Term: **15 Years**

(21) Appl. No.: **29/627,174**

(22) Filed: **Nov. 22, 2017**

(51) **LOC (11) Cl.** **13-03**

(52) **U.S. Cl.**

USPC **D13/133**; D13/154

(58) **Field of Classification Search**

USPC D13/107, 110, 118, 123, 133, 148–151, D13/153–156, 173, 184, 199; D6/510, D6/705, 706; D8/349, 374, 382, 400; D25/119, 126

CPC H01R 13/00; H01R 13/40; H01R 13/633; H01R 13/639; H01R 13/6581; H01R 12/70; H01R 12/7076; H01R 13/46; H01R 13/62; H01R 13/627; H01R 13/646; H01R 13/648; H01R 13/66; H01R 31/06; H01R 31/065; G02B 6/36; G02B 6/38; H05K 1/14; H05K 5/00; H05K 7/00; H05K 7/02; H05K 7/20; H05K 9/00

See application file for complete search history.

(56) **References Cited**

U.S. PATENT DOCUMENTS

D464,631 S * 10/2002 Billman D13/184
D468,269 S * 1/2003 Hwang D13/154
D468,270 S * 1/2003 Hwang D13/154

D468,698 S * 1/2003 Hwang D13/154
D481,677 S * 11/2003 Hwang D13/123
D491,525 S * 6/2004 Hwang D13/123
D507,228 S * 7/2005 Matthies D12/223
7,727,018 B2 * 6/2010 Bright H01R 13/741

439/607.28
8,342,881 B2 * 1/2013 Lang H01R 9/038
439/607.01

9,287,640 B2 * 3/2016 Hirschy H01R 12/585

(Continued)

Primary Examiner — Angela J Lee

Assistant Examiner — Shawn T Gingrich

(74) *Attorney, Agent, or Firm* — Banner & Witcoff, Ltd.

(57) **CLAIM**

The ornamental design for a connector receptacle, as shown and described.

DESCRIPTION

FIG. 1 is a front perspective view of a connector receptacle showing our new design;

FIG. 2 is a top view thereof;

FIG. 3 is a right side view thereof;

FIG. 4 is a left side view thereof;

FIG. 5 is a front view thereof;

FIG. 6 is a rear view thereof;

FIG. 7 is a front perspective view of the connector receptacle of FIGS. 1-6 showing our new design including an alternative broken line convention;

FIG. 8 is a top view thereof;

FIG. 9 is a right side view thereof;

FIG. 10 is a left side view thereof;

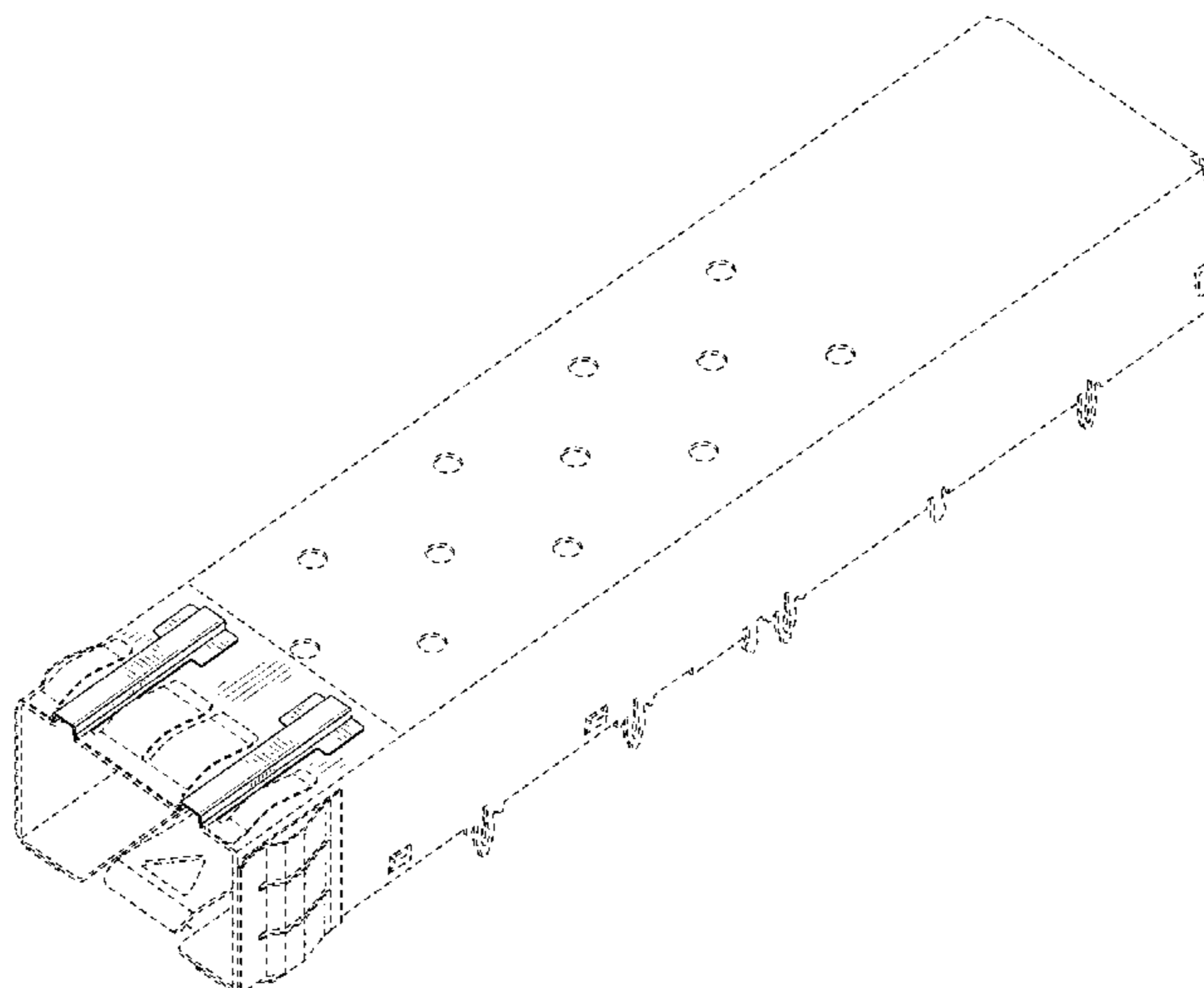
FIG. 11 is a front view thereof;

FIG. 12 is a rear view thereof; and,

FIG. 13 is a bottom view thereof.

The Dash-Dot broken line adjacent to the shaded area represents a boundary of the design that forms no part of the claimed design. The broken line showing of the various unshaded elements of the connector receptacle represents subject matter that forms no part of the claimed design.

1 Claim, 7 Drawing Sheets



(56)

References Cited

U.S. PATENT DOCUMENTS

D817,520	S *	5/2018	Gonzales	D25/126
2004/0185696	A1 *	9/2004	Long	H01R 13/627
					439/160
2007/0066137	A1 *	3/2007	Yang	H01R 43/18
					439/607.01
2009/0124127	A1 *	5/2009	Zhang	H01R 13/6582
					439/607.38
2010/0079971	A1 *	4/2010	Gillespie	H01R 13/65802
					361/816
2011/0306253	A1 *	12/2011	Kumamoto	H01R 12/7064
					439/892
2012/0190224	A1 *	7/2012	Wu	H01R 13/633
					439/157
2013/0115800	A1 *	5/2013	Chan	H01R 13/6335
					439/372
2015/0171545	A1 *	6/2015	Yu	H01R 13/11
					439/485
2015/0180168	A1 *	6/2015	Han	H01R 13/506
					439/353
2015/0200495	A1 *	7/2015	Yu	H01R 13/6583
					439/607.55
2016/0322758	A1 *	11/2016	Wan	H01R 13/6583
2018/0166827	A1 *	6/2018	Little	G02B 6/4293

* cited by examiner

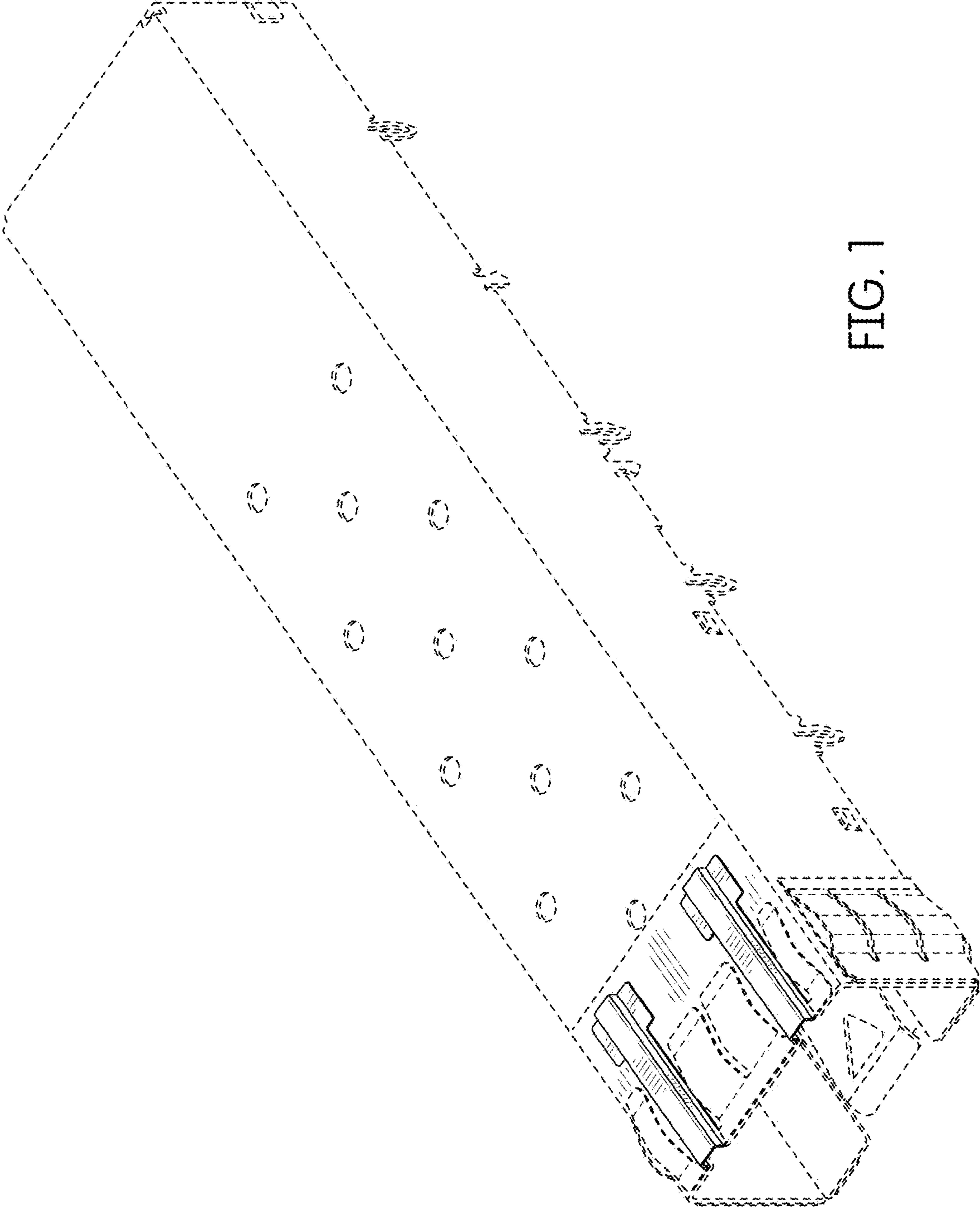


FIG. 1

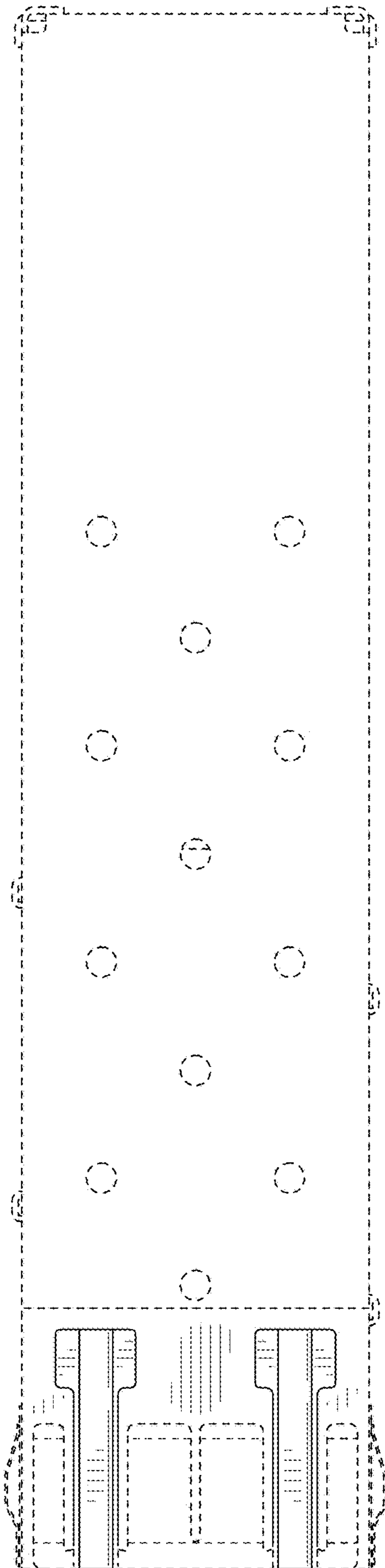


FIG. 2

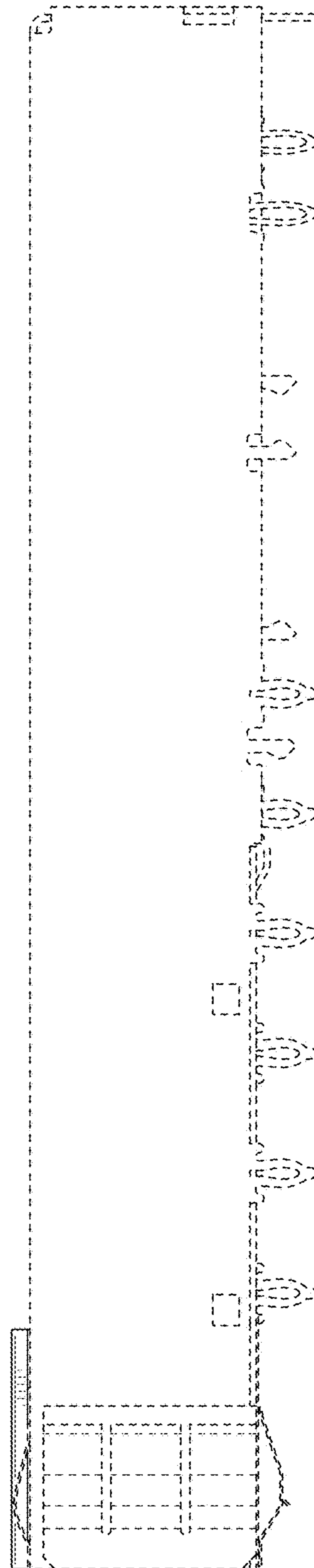


FIG. 3

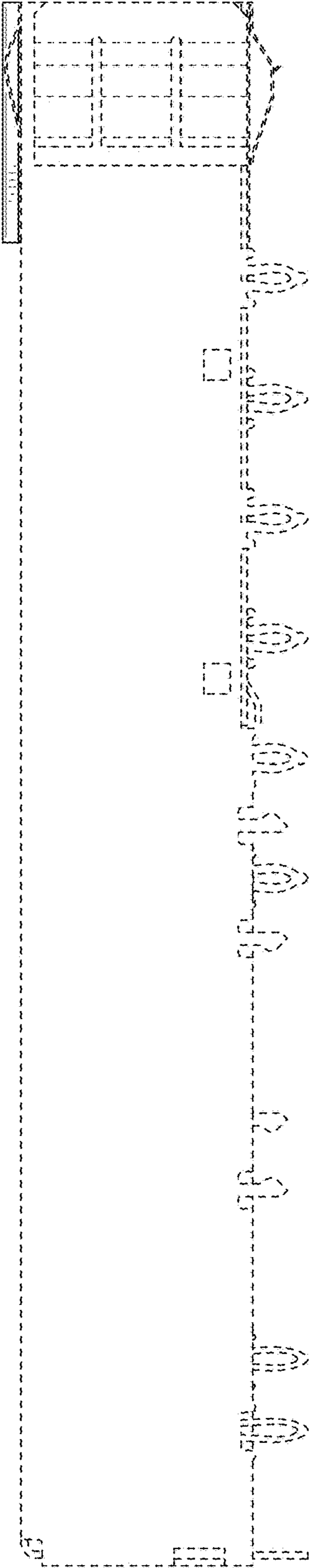


FIG. 4

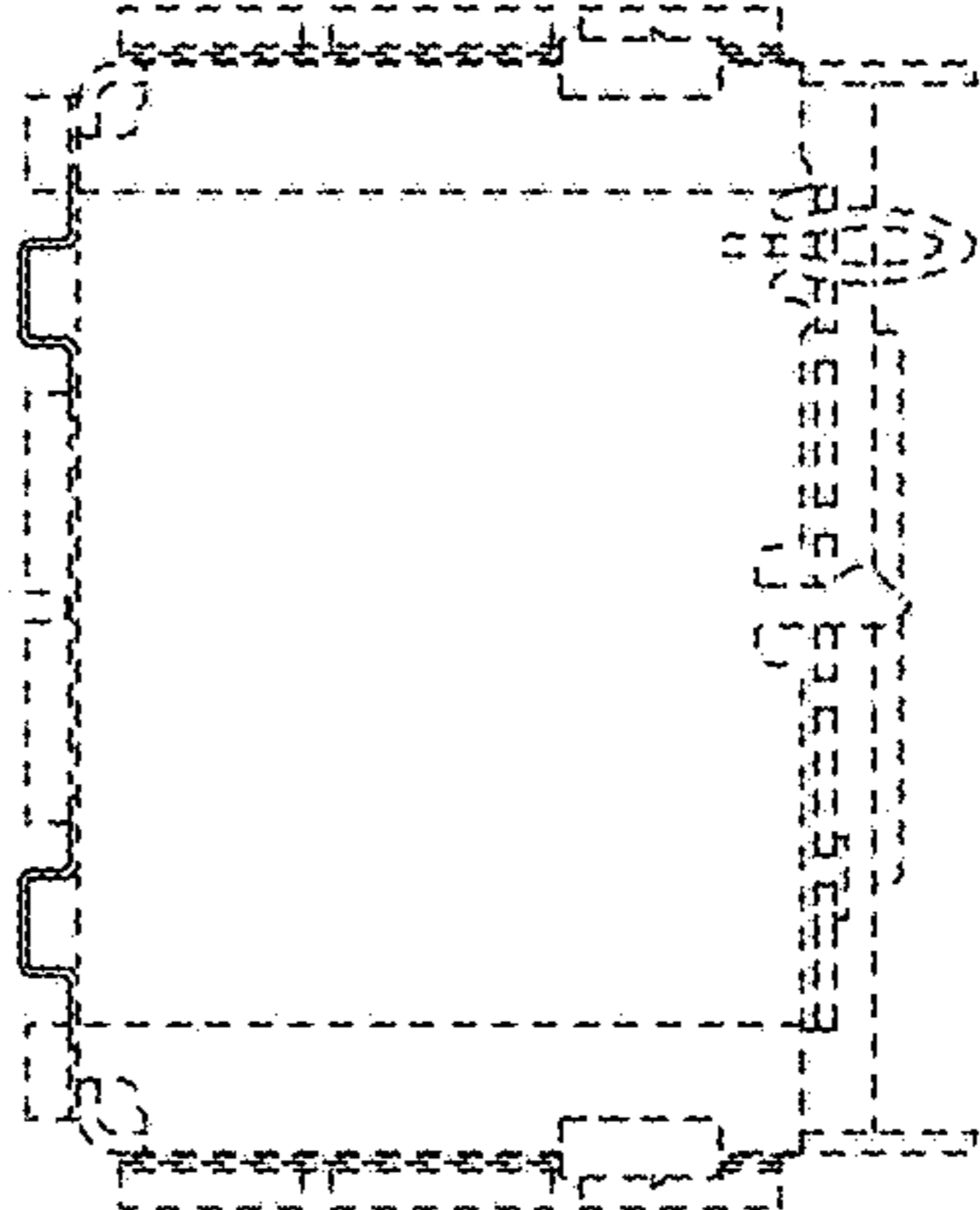


FIG. 5

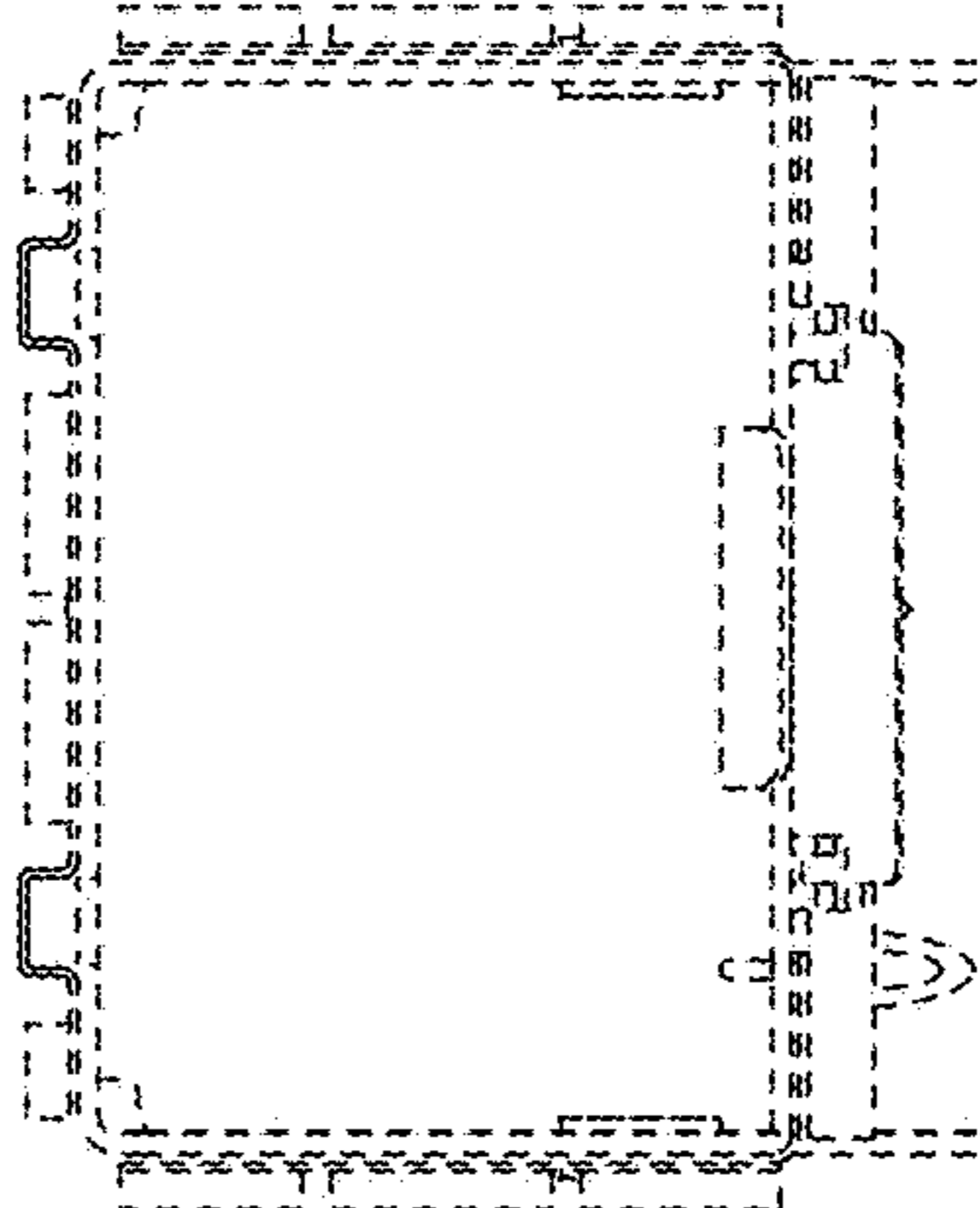


FIG. 6

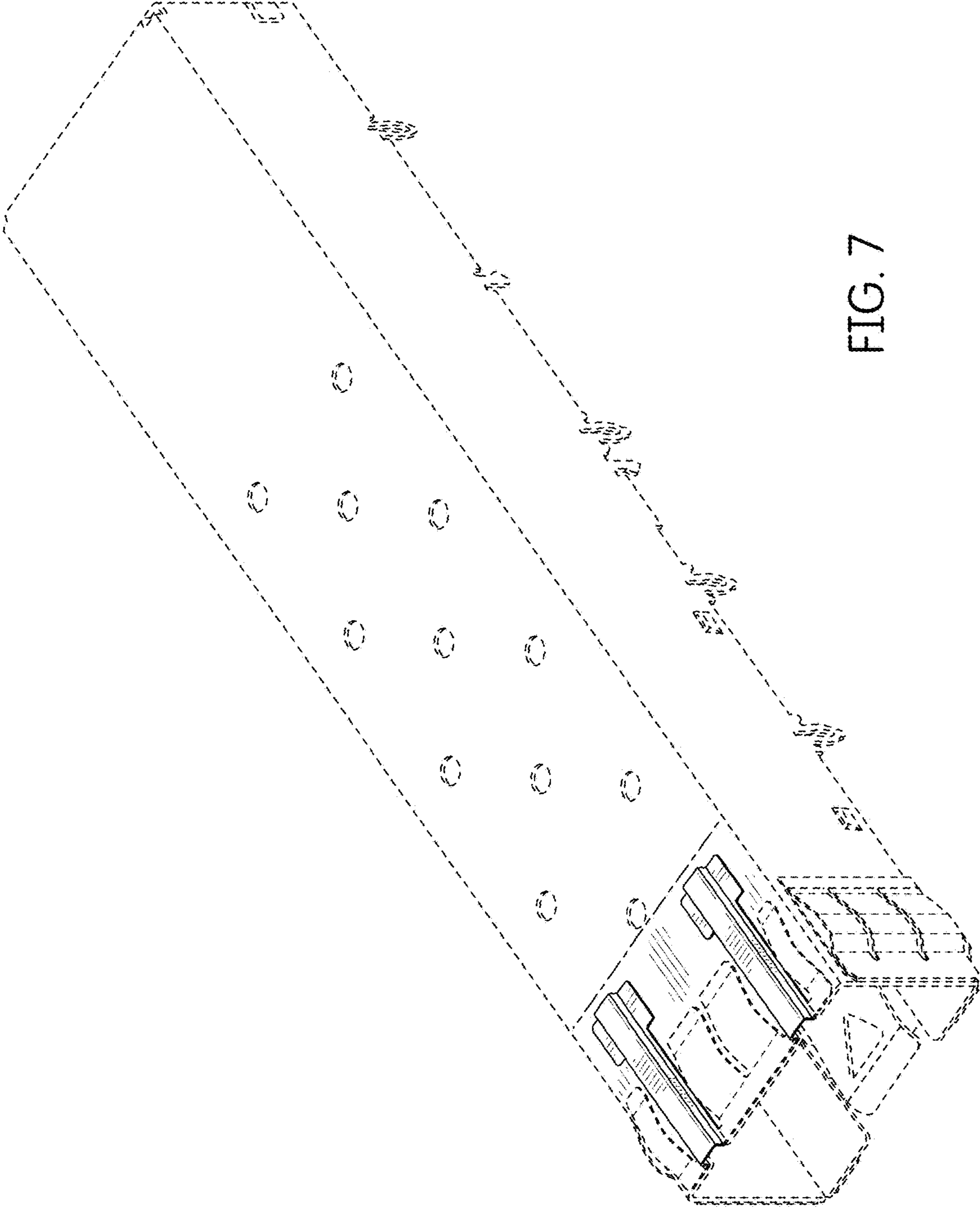


FIG. 7

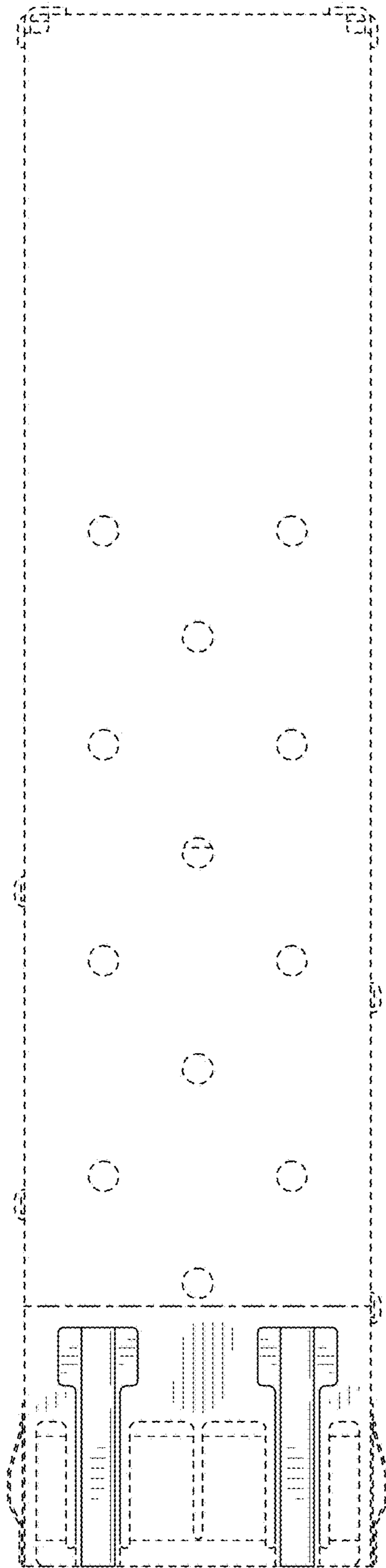


FIG. 8

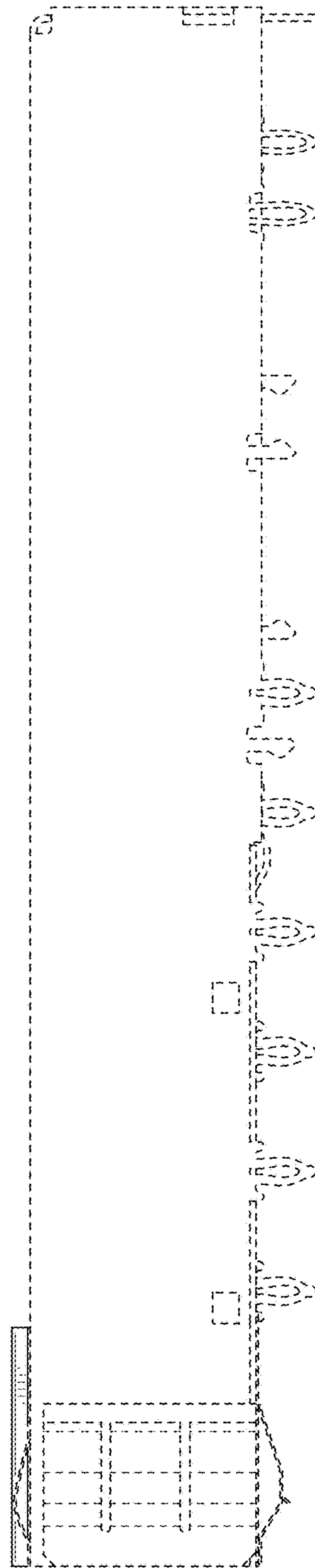


FIG. 9

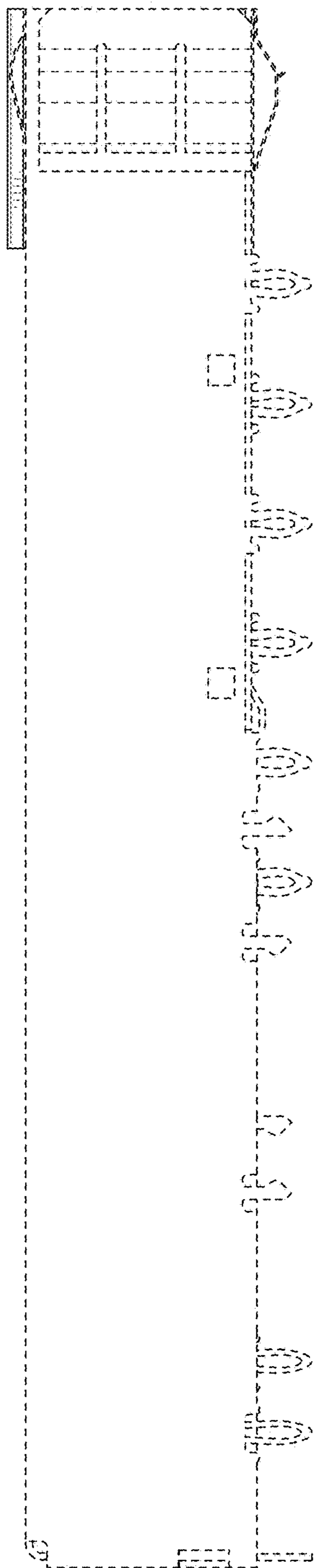


FIG. 10

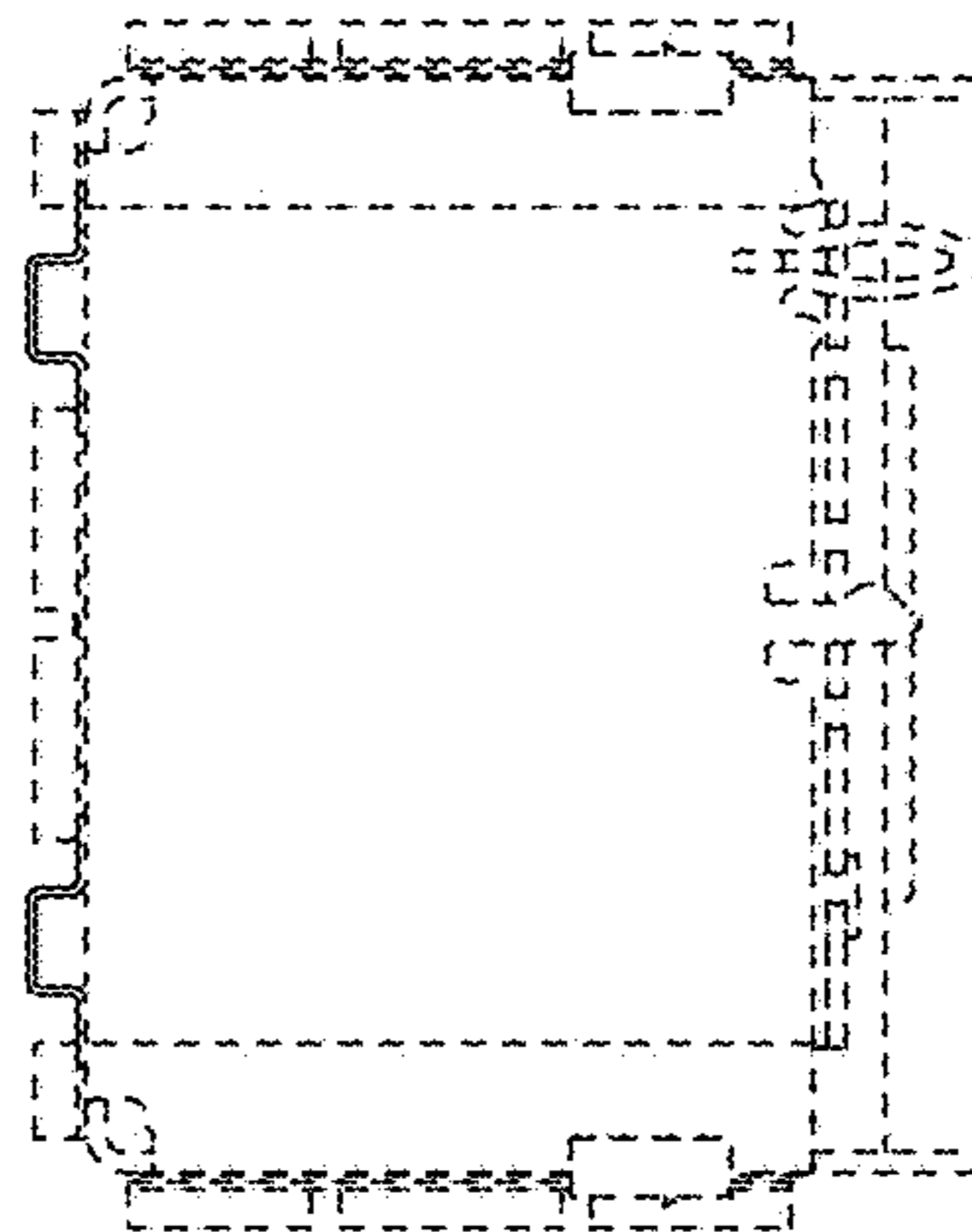


FIG. 12

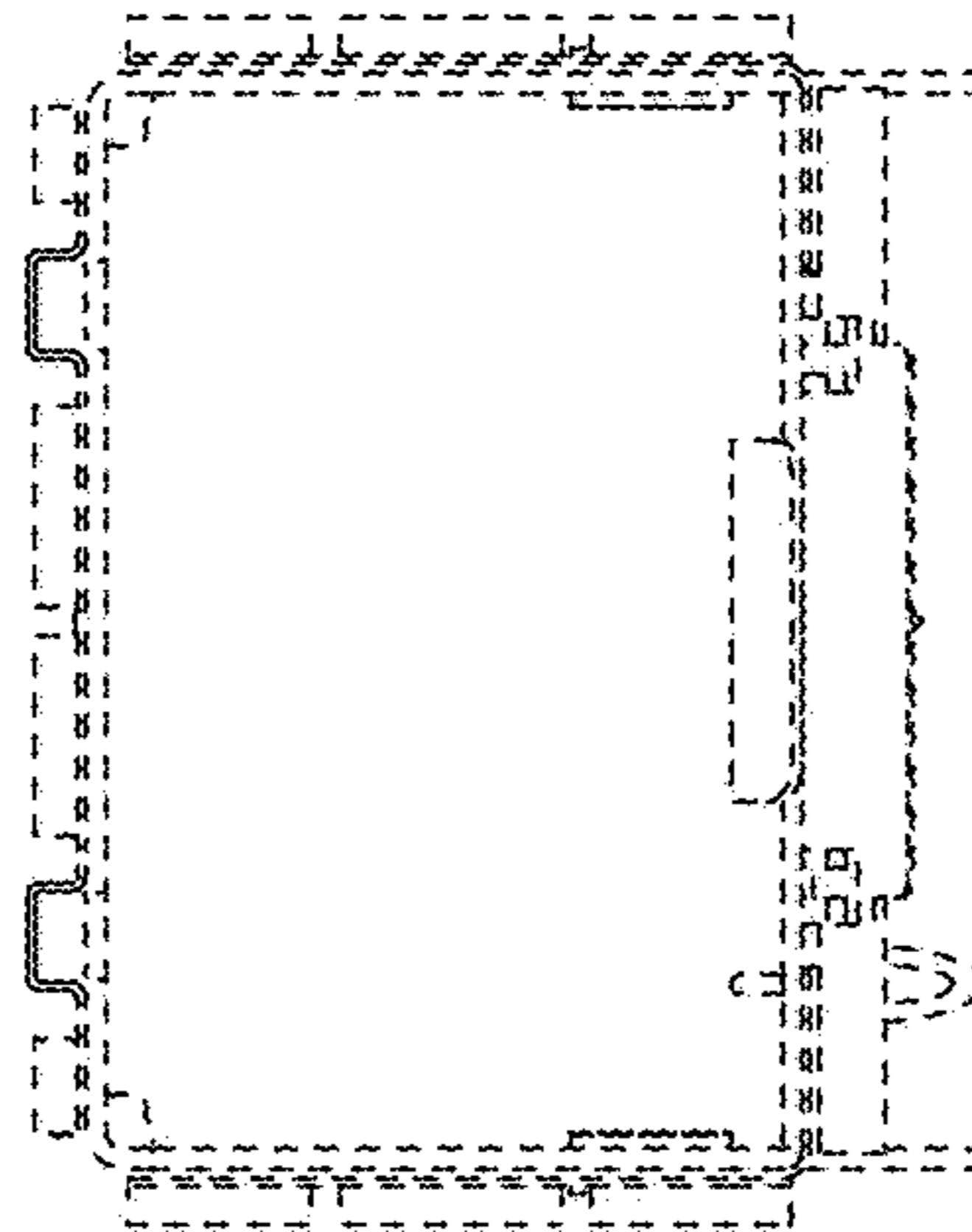


FIG. 11

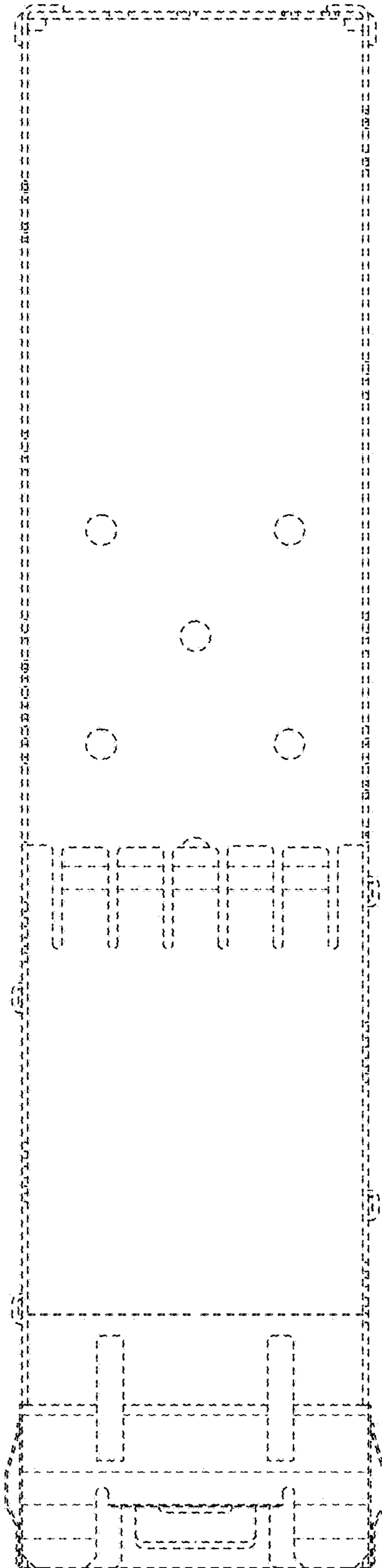


FIG. 13